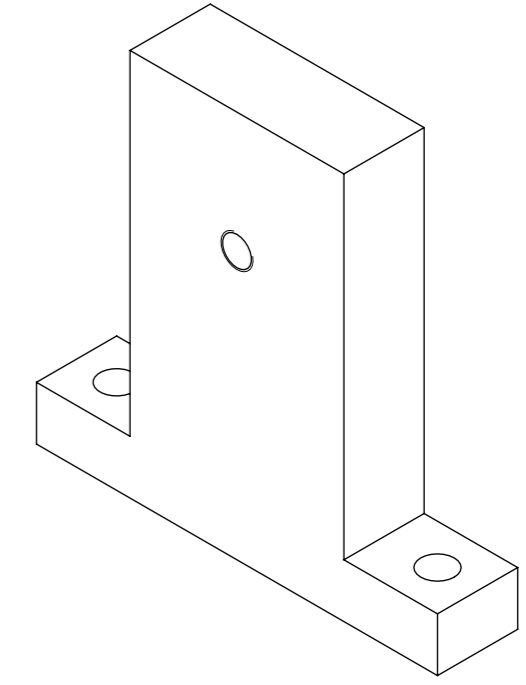
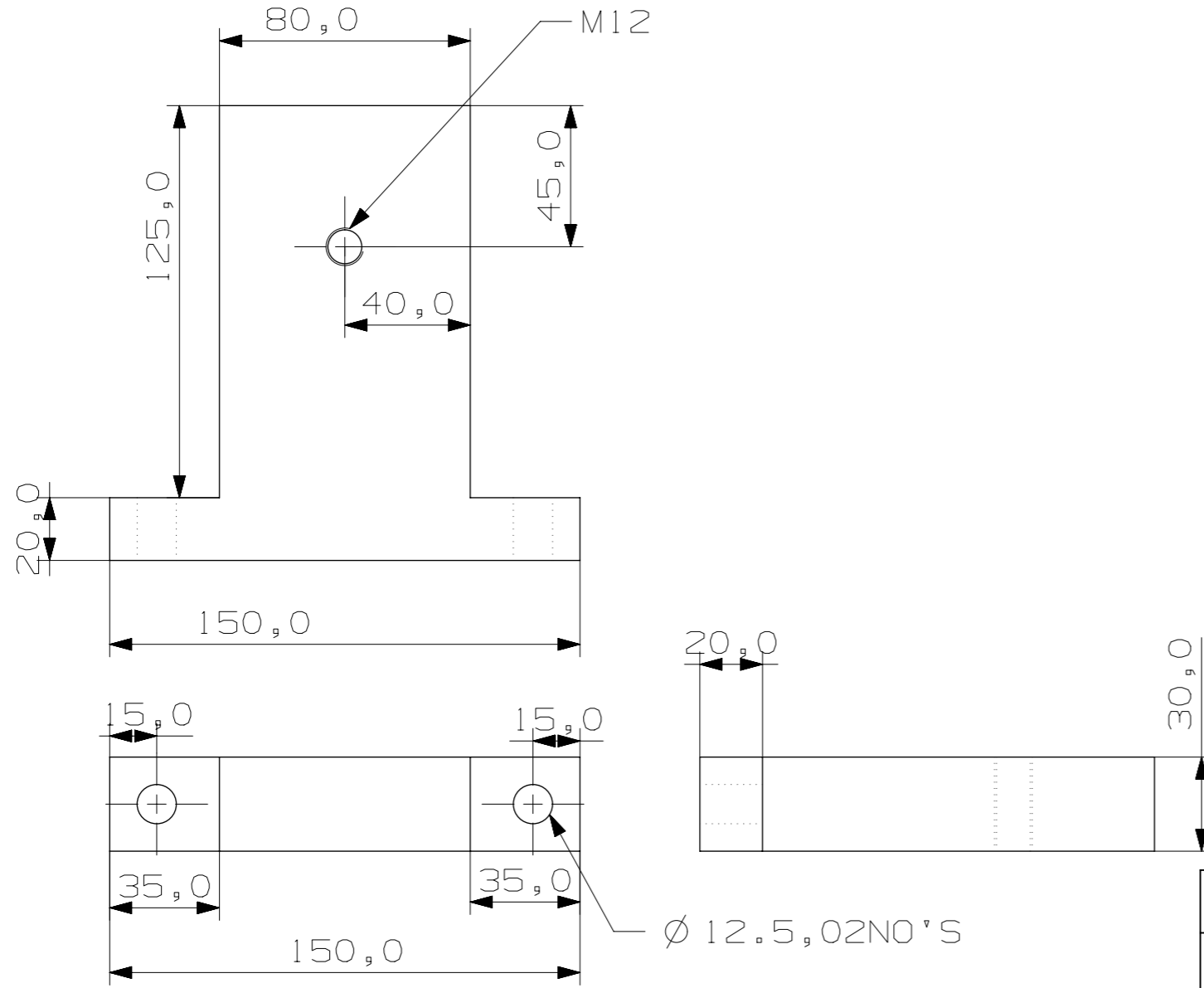


INVENTORY NO. SIGN. AND DATE REF. DRG. NO. THE INFORMATION ON THIS DOCUMENT IS THE PROPERTY OF BHARAT HEAVY ELECTRICALS LIMITED. IT MUST NOT BE USED DIRECTLY OR INDIRECTLY IN ANY WAY DETRIMENTAL TO THE INTEREST OF THE COMPANY

DRG. NO. 05/01/39/2015



-	-	-	-	-
ITEM NO	DESCRIPTION	DRAWING NO.	MATL. SPEN.	UNIT WT
				QTY

TYPE OF PRODUCT
OR
NAME OF CUSTOMER/PROJECT

	BHARAT HEAVY ELECTRICALS LTD. CORPORATE R&D	DRN.	NAME	SIGN.	DATE	NO. OF
		CHD.	RAVINDER		28.07.15	VAR.
		APPD.	NSSK		28.07.15	NA
			G MADHAVULU		28.07.15	

REV.	DATE	ALTERED	CHECKED	APPD

DEPT.	GRADE OF		SCALE	WEIGHT (KG)	REF. TO ASSY DRG.	ITEM NO.	NO. OF ITEMS
TDL	TOL. DIM.		1:2	NA			
CODE	39					NA	NA

TITLE	SCHEMATIC DIAGRAM OF LOCKING PLATE 1 (FR05-STG02 DIE)	CARD CODE	DRAWING NO.	REV.
		NA	05/01/39/2015	NA
		SHEET No.	1	NO OF SHEETS
				1