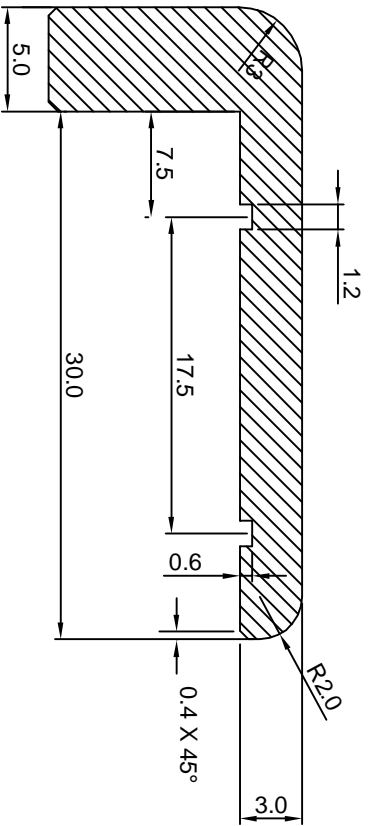
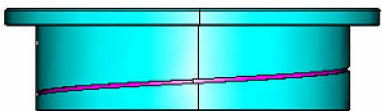
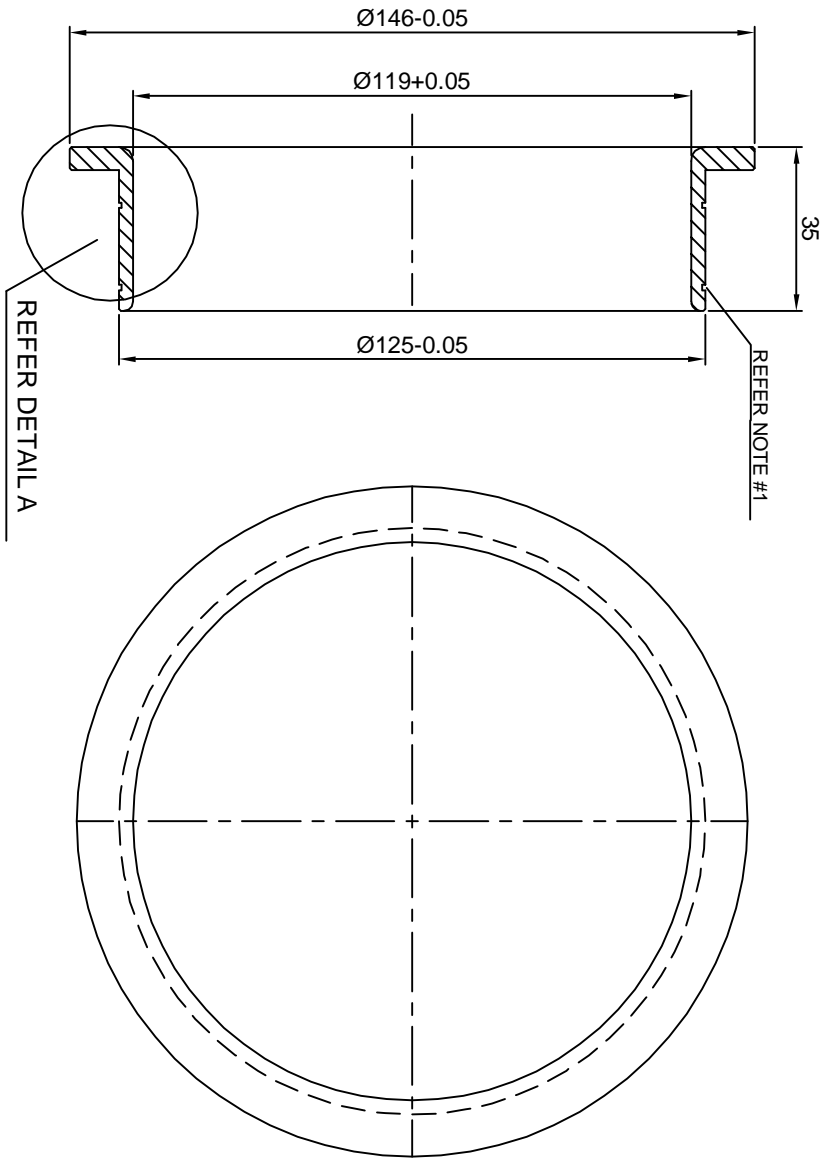


THE INFORMATION ON THIS DOCUMENT IS THE PROPERTY OF BHARAT HEAVY ELECTRICALS LIMITED. IT MUST NOT BE USED DIRECTLY OR INDIRECTLY IN ANY WAY DETRIMENTAL TO THE INTEREST OF THE COMPANY.



DETAIL A

NOTE:-

1. HELICAL GROOVES 0.6 DEEP x 1.2 WIDE, 15.0 MM PITCH.
2. ALL SHARP EDGES MACHINED TO 0.4X45°.

VAR. NO.	REMARKS	VAR. NO.	ITEM NO.	DESCRIPTION	DRAWING NO.	LT. NO.	MATL. CODE	UNIT	UNIT WGT.	QTY.	ZONE
			01	BLANK	Ø146.0 X 35.0		AL ALLOY		12		

TYPE OF PRODUCT
NAME OF CUSTOMER
GSM 420

BHARAT HEAVY ELECTRICALS LTD.		HYDERABAD	
DRN	AL	NAME	SIGN.
CHK	AL	DATE	18/01/16
APPD	MM RAO	DATE	20/01/16

DEPT. CODE	SCALE	WEIGHT(KG)	DRN	AL	NAME	SIGN.	DATE
GSD TOL. DIM. C/M/F	NTS		CHK	AL			18/01/16
35			APPD	MM RAO			20/01/16

TITLE	CARD CODE	DRAWING NO.	SHEET NO.	NO. OF SHEETS
FLANGE II		RD DG 4 35 0619 6113	3	10

REV.	DATE	ALTERED	ZONE
		CHECKED	

INVENTORY NO.	SIGN. AND DATE	REF. DRG. NO.
---------------	----------------	---------------