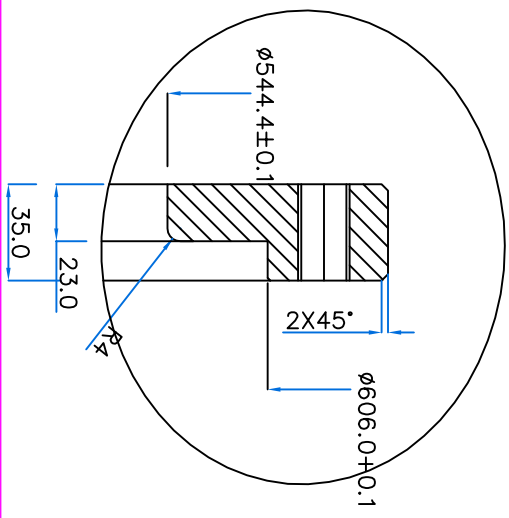


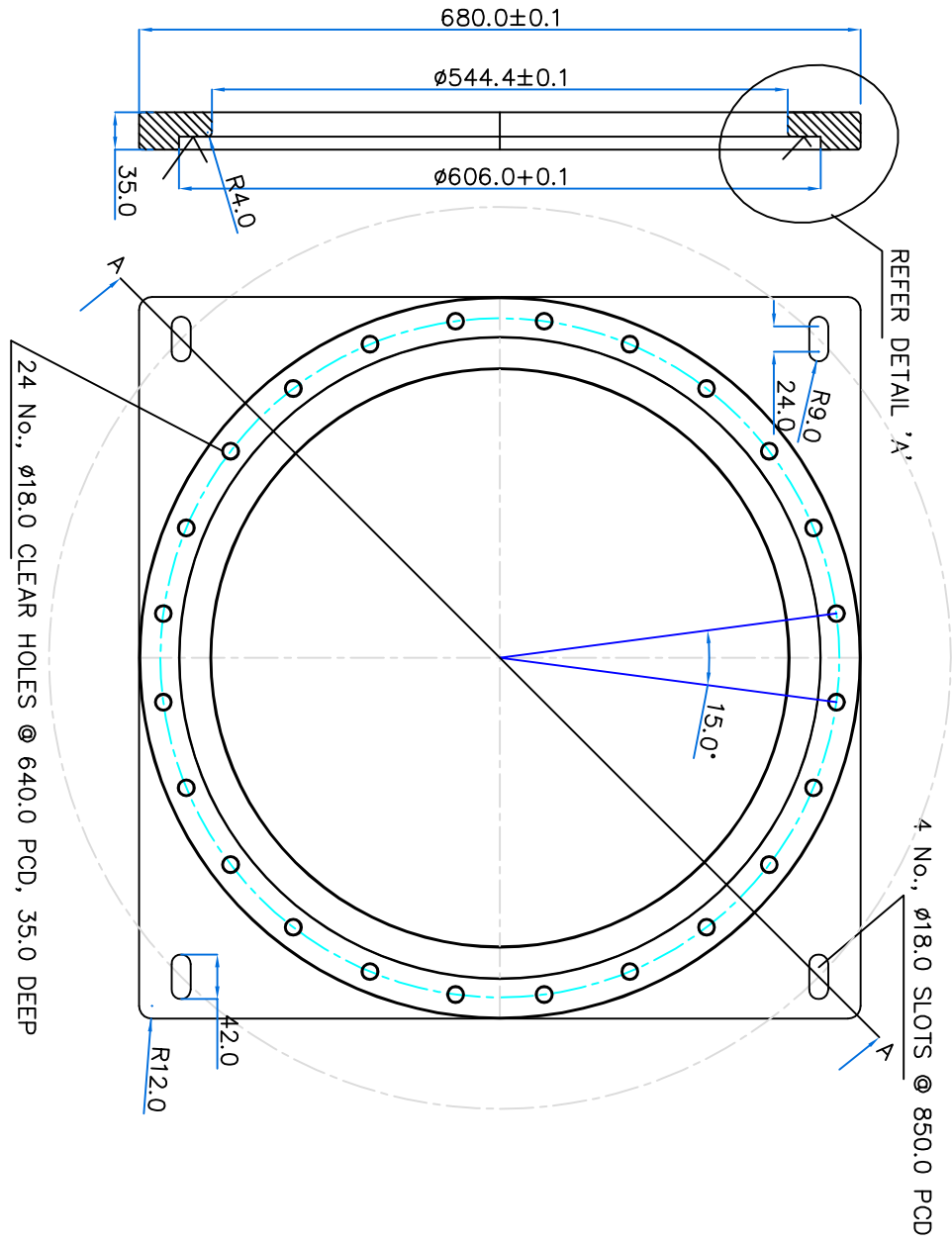
THE INFORMATION ON THIS DOCUMENT IS THE PROPERTY OF BHARAT HEAVY ELECTRICALS LIMITED.
IT MUST NOT BE USED DIRECTLY OR INDIRECTLY IN ANY WAY DETRIMENTAL TO THE INTEREST OF THE COMPANY.

INVENTORY NO. SIGN. AND DATE REF. DRG. NO.



DETAIL 'A'

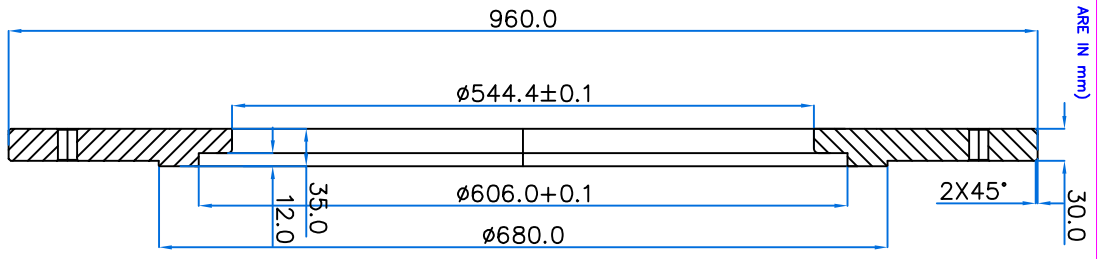
NOTE: Buffing shall be done.



REFER DETAIL 'A'

4 No., $\phi 18.0$ SLOTS @ 850.0 PCD

24 No., $\phi 18.0$ CLEAR HOLES @ 640.0 PCD, 35.0 DEEP



SECTION A-A

| REV. | DATE | ALTERED | CHECKED | REV. | DATE | ALTERED | CHECKED |
|------|------|---------|---------|------|------|---------|---------|
| | | | | | | | |

| | | | | | | | | | | | |
|--------|---------|----------|----------|----|---------------|----------------------|----------------|----|----|----|--|
| VAR.00 | REMARKS | VAR. NO. | ITEM NO. | 01 | SS-304L PLATE | RD DG 4 35 0617 0430 | EN-8(RUSTLESS) | 33 | KG | 01 | |
|--------|---------|----------|----------|----|---------------|----------------------|----------------|----|----|----|--|

| | | | | | | | | | | |
|-------------------------------|----------|-------|------------|----------------------|------|--------------|------|-----|------|------|
| DEPT. | GRADE OF | SCALE | WEIGHT(KG) | DRAWING NO. | VAR. | MATL. SPECN. | UNIT | WT. | QTY. | ZONE |
| BHARAT HEAVY ELECTRICALS LTD. | C/M/E | NTS | 33.0 | RD DG 4 35 0617 0430 | | | | | | |

| | | | | | | | | |
|-----------------|------------------|----------------------|------|--------------|------|-----|------|------|
| TYPE OF PRODUCT | NAME OF CUSTOMER | DRAWING NO. | VAR. | MATL. SPECN. | UNIT | WT. | QTY. | ZONE |
| SUPPORT PLATE | GSM-420 | RD DG 4 35 0617 0430 | | | | | | |

| | | | | |
|-------|--------|-------|----------|--------|
| DEN | NAME | SIGN. | DATE | NO. OF |
| KSRAO | | | 26/12/05 | VAR. |
| MMRAO | | | 02/01/06 | |
| APPD | HSJAIN | | 02/01/06 | |

| | | | |
|-------------|----------------------|---------------|---|
| DRAWING NO. | RD DG 4 35 0617 0430 | NO. OF SHEETS | 1 |
| CARD CODE | RD DG 4 35 0617 0430 | | |
| | (35027200575) | | |