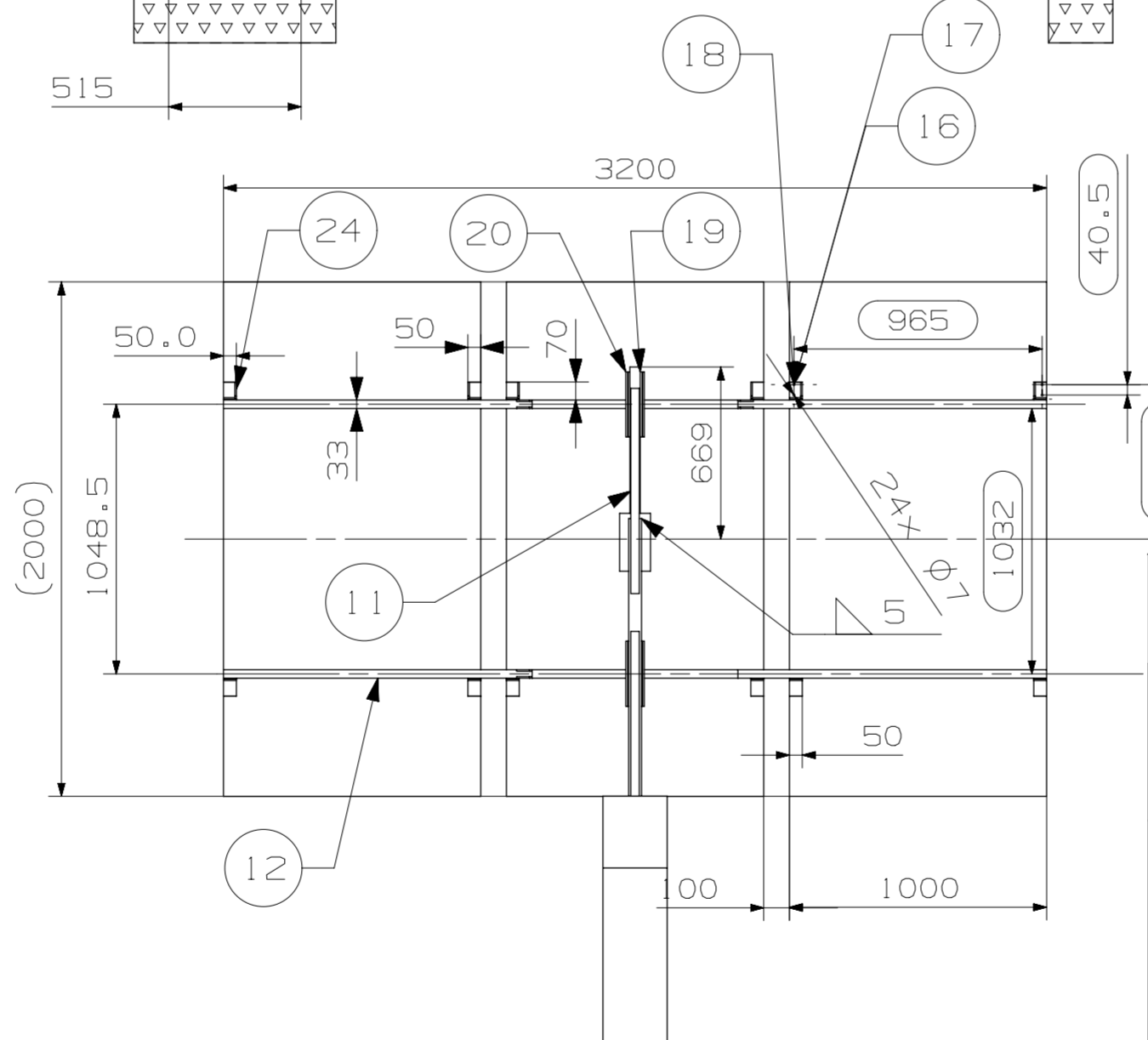



- NOTES:**
1. ALL FASTENERS ARE TO BE S.S
 2. UNSPECIFIED WELD SIZE 4
 3. ALL RECT TUBES ARE TO BE GALVENISED
 4. SURFACE MARKED WITH A IS REFERENCE PLANE ABOVE GROUND
 5. CIRCLED DIMS ARE IMP AND NEED INSPECTION
 6. BRACKETED DIM ARE FOR REFERENCE
 7. SOLAR PANELS ARE NOT IN VENDOR SCOPE
 8. POS 12,13,14,15 ALONG WITH PANELS WILL BE BOLTED TO REST OF ASSY AT SITE USING POS 21,22,23

24	TRIANGULA STIFFENER 60X70X5..ADAPRT	12
23	NUT M8 SS	8
22	MC WASHER DIA9 PLATED	8
21	BOLT M8X100 SS	8
20	PL: 8X70X253 (WELDED TO POS . 13)	4
19	PL:8X70X253 (WELDED TO POS . 11)	4
18	M/C WASHER DIA 6.5 PLATED	48
17	NUT M6 SS	24
16	BOLT M6X25 SS	24
15	ANGLE: 70X70X5...50 (ADAPT)	12
14	STIFFENER: 6X60X60	8
13	RECT TUBE: 66X33X2.6...364-1	4
12	RECT TUBE: 66X33X2.6...3200	2
11	RECT TUBE: 80X40X2.6...1338	1
10	RECT TUBE; 66X33X2.6...536 ADAPT	1
9	RECT TUBE:66X33X2.6...974 ADAPT	1
8	PL: 10X225X120	1
7	RECT TUBE:66X33X2.6...2010 ADAPT	1
6	STIFFENER: 6X80X120	1
5	WASHER DID: 26	2
4	NUT M24	2
3	J BOLT M24X320	2
2	PL:10X120X595	1
1	JB:150X50...3000	1
POS NO	SIZE	QTY



VIEW SEEING FROM BELOW THE PANELS

Item No.	Description	Material	Qty.	Remarks		
<p>NAME OF CUSTOMER/PROJECT TYPE OF PRODUCT OR</p>						
 BHARAT HEAVY ELECTRICALS LTD. CORPORATE R&D DIVISION HYDERABAD		DRN.	NAME	SIGN.	DATE	NO.OF VAR.
DEPT. MDF DEPT. CODE 41		DESIGN	GAUTAM		15.05.16	
		CHD.	NAGESH		15.05.16	
		APPD.	ESWAR RAO		15.05.16	
TITLE SUPPORTING STRUCTURE FOR EV CHARGING STATION		WEIGHT (KG)	REF. TO ASSY. DRG. -N.A.-	ITEM NO. -N.A.-	NO.OF ITEMS -N.A.-	
		CARD CODE N.A.	DRAWING NO. D-G-18-15-719-RD-33		REV. 02	
		SHT. No		NO. OF SHT.		