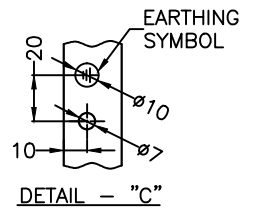
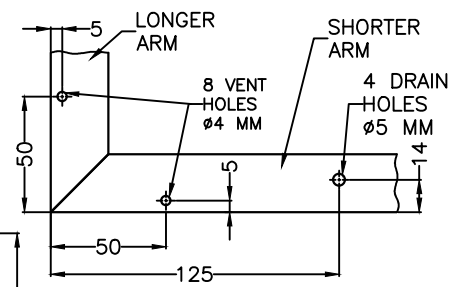
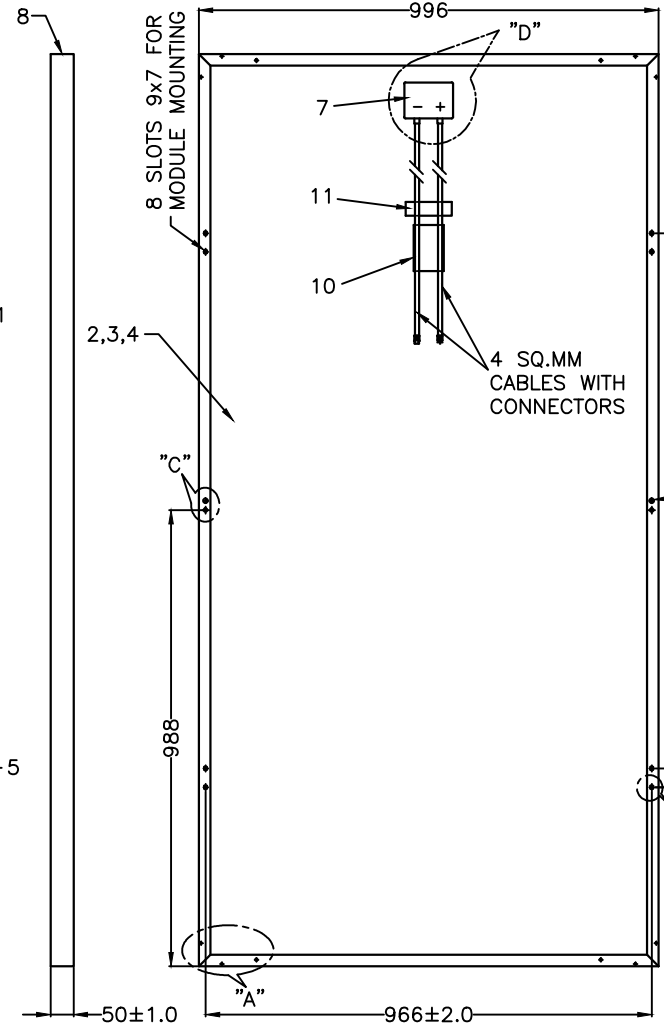
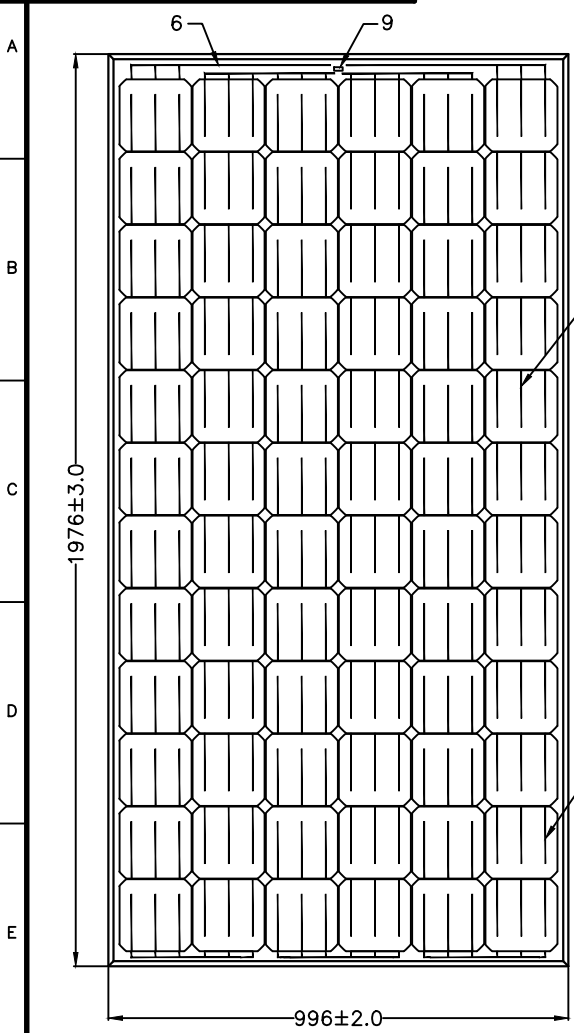


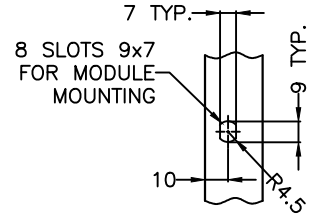
COPYRIGHT AND CONFIDENTIAL

The information on this document is the property of Bharat Heavy Electricals Limited. It must not be used directly or indirectly in anyway detrimental to the interest of the Company

DRAWING NO. 3 679 02 00371

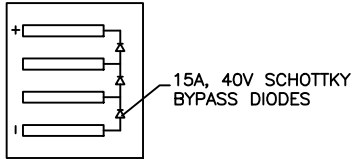


DETAIL - "A"



DETAIL - "B"

PART	DESCRIPTION
11	RFID TAG
10	MODULE RATING STICKER
9	PV MODULE SL. NO. STICKER
8	ANODISED ALUMINUM EDGE FRAME
7	JUNCTION BOX WITH CABLES & CONNECTORS
6	BUS BAR
5	INTERCONNECTS
4	BACK SHEET
3	EVA SHEET
2	HIGH TRANSMISSION TEMPERED GLASS
1	72 Nos. OF 156 mm MONO CRYSTALLINE SILICON SOLAR CELLS CONNECTED IN SERIES



DETAIL "D"

TYPE OF PRODUCT OR NAME OF CUSTOMER/PROJECT

DRN	NAME	SIGN.	DATE	No. OF VAR
CKD	SM	Sd/-	22.06.2013	
APPD	SR	Sd/-	22.06.2013	

REV.	DATE	ALTERED	SAN	REV.	DATE	ALTERED	SAN	REV.	DATE	ALTERED	SAN	DEPT. SC&PV	FOR UNSPECIFIED-TOLERANCES REFER ED 0230499	SCALE	WEIGHT(Kg)	REF. TO ASSY. DRG.	ITEM NO.	No. OF ITEM
02	031213	CHECKED	NAR	01	091113	CHECKED	NAR	00						1 : 10				
		APPROVED	SR			APPROVED	SR											

TITLE: **PHOTOVOLTAIC MODULE-L24270**
156mm Mono Solar Cell (Corner Block Type)

DRAWING NO. **3 679 02 00371**

02	031213	APPROVED	SR	01	091113	APPROVED	SR	00										
DIM 1976±3.0 WAS 1998±3.0				PART NOS. CHANGED IN DRAWING				FIRST ISSUE										

SHEET NO. 01 NO. OF SHEETS 01