

NOTE -
 1 - ALL DIMENSIONS ARE IN mm.
 2 - SUBJECT TO ± 50mm VARIATION EXCEPT SPAN & DIAGONAL.
 3 - BOLT ⇒ SHROUDED BUT NOT TO EXCEEDER cable reeling drum
 4 - BAY LENGTH - 17M
 5 - POWER 415V AND CONTROL SUPPLY 24V AC
 6 - PAINTING : -
 7 - class of protection for Control panel - IP 52

LOCATION	RAW WATER PUMP HOUSE
S.W.L	6 T
QTY	01 NO.
TYPE (S.3177, 807, 3938)	CL-III(M5) / IS:3938, 3177 & 807
SPAN	6.00M
LIFT	14.00M
RUNWAY RAIL TRAVEL LENGTH	60 LBS
HOISTING SPEED (CREEP)	0.3-3MPM THROUGH WAFD
C.T. SPEED	10 MPM
L.T. SPEED	10 MPM
HOIST WEIGHT	600 Kg.
CRANE WEIGHT	4.5T
DRUM Ø/LENGTH(mm)	Ø280/995

ITEM No.	DESCRIPTIONS	QTY
1	MAIN GIRDER (IS.2062)	01
2	END CARRIAGE (IS.2062)	02
3	BUFFER (RUBBER)	04
4	C.T. DISL. ARRANGEMENT	01
5	L.T. GEAR BOX	02
6	L.T. MOTOR	02
7	L.T. BRAKE	02
8	L.T. WHEEL (DLE-RUNNER)	04
9	C.T. GEAR BOX	02
10	C.T. MOTOR	02
11	C.T. WHEEL	06
12	C.T. WHEEL	06
13	M.H. GEARBOX	01
14	M.H. MOTOR	01
15	M.H. BRAKE	01
16	HOOK BLOCK	01
17	BRAKING TO SLIT	01
18	END FRAME	02
19	RAIL CLEANER PLATE	04
20	JACK PADS	04

MOTOR		LOCATION	M.H	C.T	L.T
KW/QTY	5.5 / 01		0.55 / 02	0.55 / 02	
MAKE	CROMPTON / LHP/BBL/ABB				
TYPE	TEC-SC-34 DUNT, 40200F, CLASS F WITH TEMP. RISE LIMITED TO CLASS B, INSULATION SUITABLE FOR 415V/10% & 50Hz/±5% AND COMBINED VOLTAGE FREQUENCY VARIATION-10%(ABOVSULTE)				
LIMIT SWITCH		LOCATION	M.H	C.T	L.T
TYPE	SNAP ACTION				
QTY	02				
BRAKE		LOCATION	M.H	C.T	L.T
MAKE	BCH/SOC / JAI BALAJI				
SIZE/RATING	EMDC DISC TYPE				
QTY	01				
GEAR BOX		LOCATION	M.H	C.T	L.T
MAKE	EMCO / PETHE				
MAKE	REVA				
TYPE	HELICAL				
LUBRICATION	OIL SPLASH				
REDUCTION	105.56:1				
MATERIAL/HARDNESS(BHN)	LOW CARBON ALLOY STEEL / 550-590				
	MEDIUM CARBON STEEL / 280-320				
HOOK		MAKE	SKF/TATA/NBC		
MAKE	PLAIN SHANK CIRCULAR SECTION AS PER IS:3815/19560 WITH SAFETY LATCH THRUST BALL BEARING [01 NO]/(SKF/NBC/TATA)				
TYPE	SEAMLESS PIPE, ASTM A106/53				
WIRE ROPE DRUM		MAKE	USHA MARTIN		
MAKE	6X36/STEEL CORE				
CONSTRUCTION/CORE	11/4				
WIRE ROPE Ø/FALL	180kg/mm2(1770N/mm2)				
TENSILE STRENGTH	7.74T				
MIN. BREAKING LOAD					
WHEELS		LOCATION	C.T	L.T	
TREAD DIAMETER	100				
QTY. (nos.)	6				
HARDNESS	300-350 BHN				
MATERIAL	EN-9/C55Mn75				
SHEAVE		MAKE	SKF/TATA/NBC		
MATERIAL	ANTI-FRICTION DEEP GROOVE BALL BEARING				
GROOVE DIA/O.D	Cl. G-FG 200. IS 210				
BEARING	205/245				
BEARING		MAKE	SKF/TATA/NBC		
MATERIAL	ANTI-FRICTION DEEP GROOVE BALL BEARING				
GROOVE DIA/O.D					
BEARING					

FOR APPROVAL

DATE: 10/04/2024

SCALE: 1:100

PROJECT: RAW WATER PUMP HOUSE

DESIGNER: [Signature]

CHECKED: [Signature]

DATE: 10/04/2024

SCALE: 1:100

PROJECT: RAW WATER PUMP HOUSE

DESIGNER: [Signature]

CHECKED: [Signature]

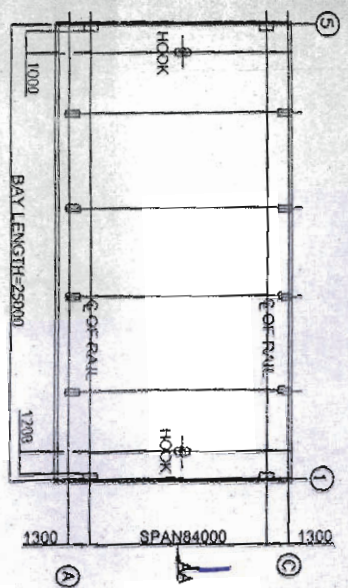
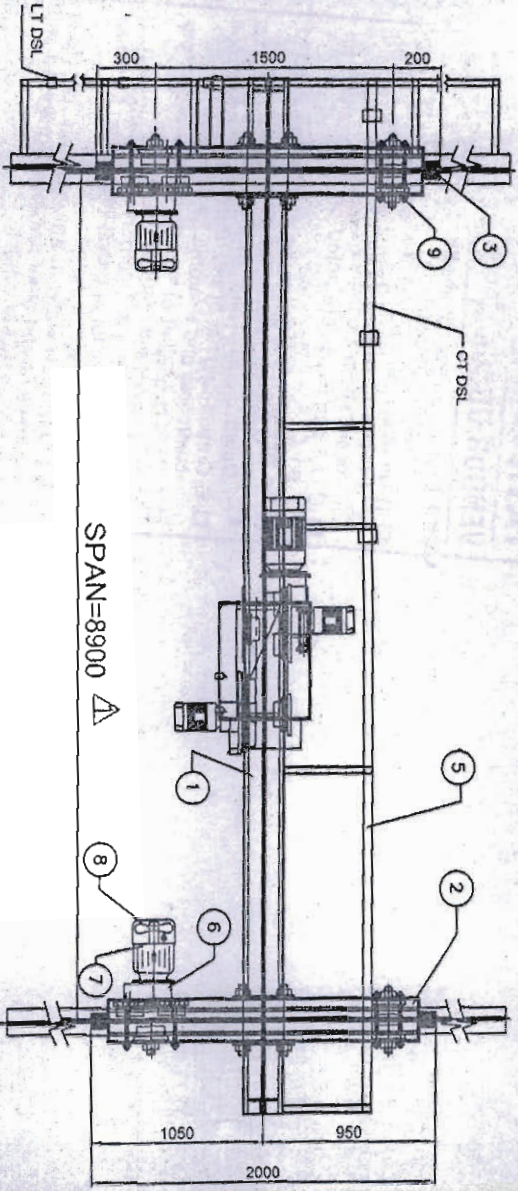
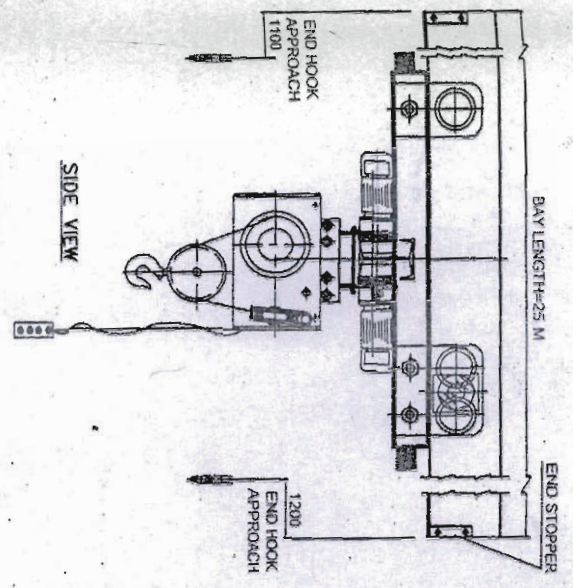
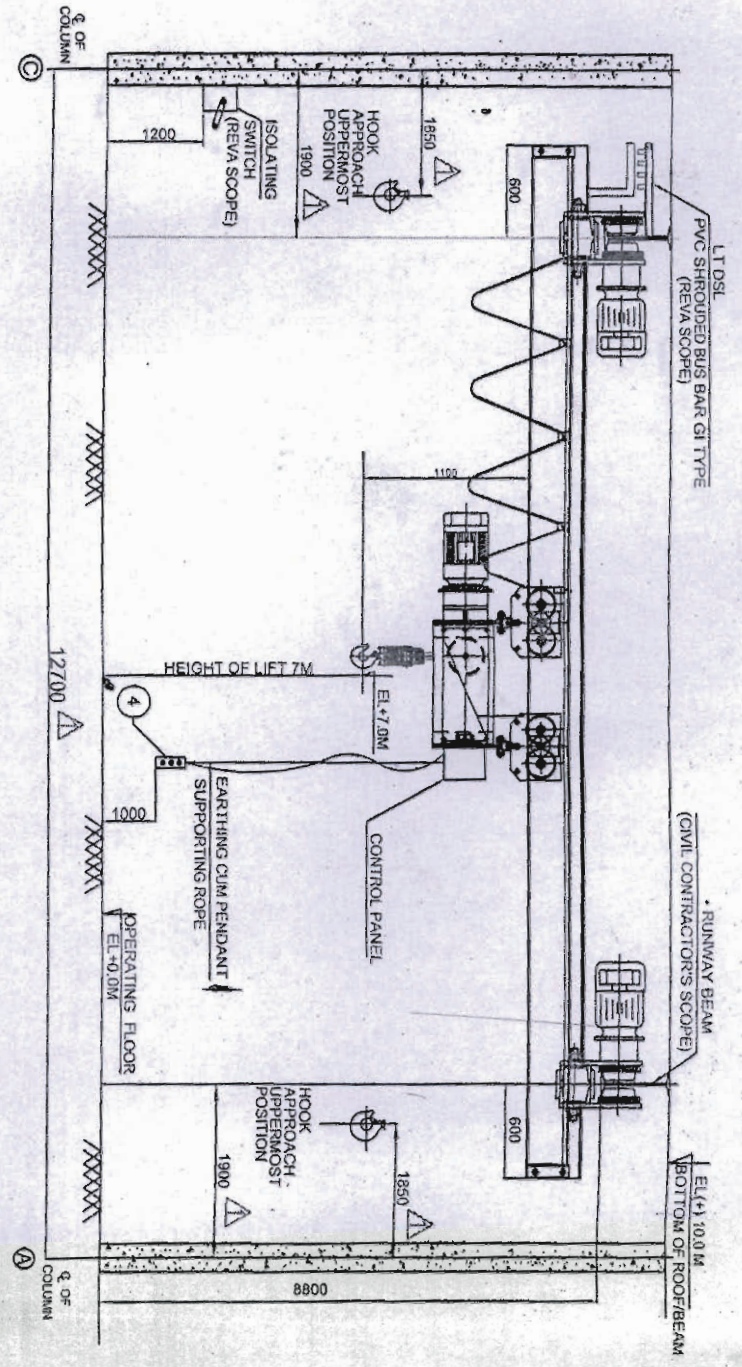
DATE: 10/04/2024

SCALE: 1:100

PROJECT: RAW WATER PUMP HOUSE

DESIGNER: [Signature]

CHECKED: [Signature]



FOR APPROVAL

FOR APPROVAL

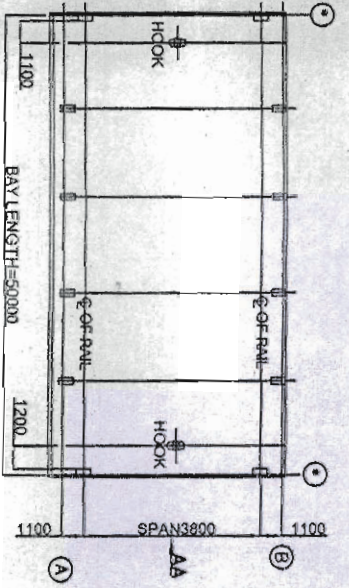
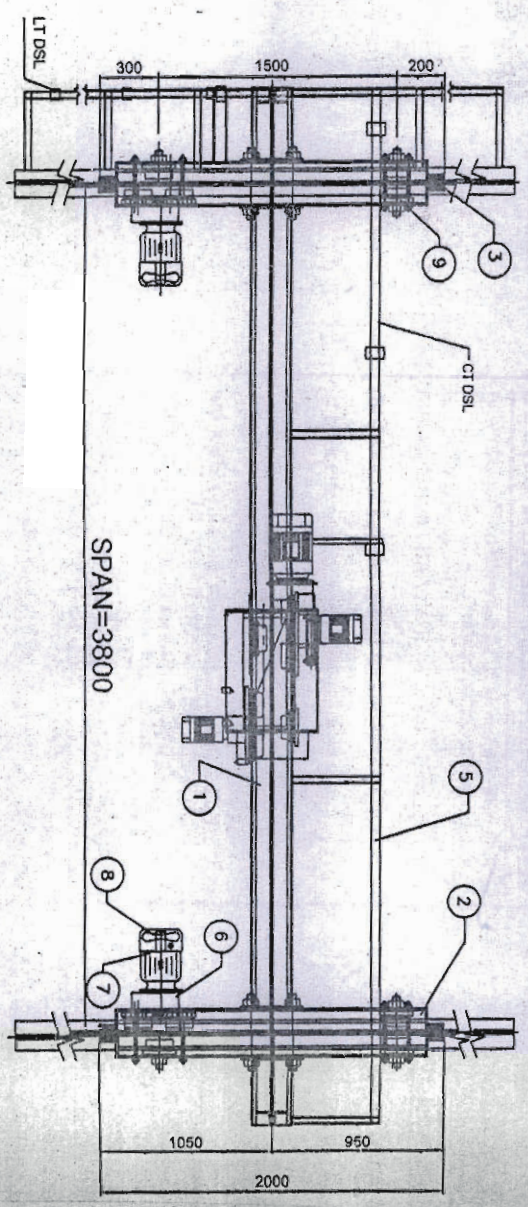
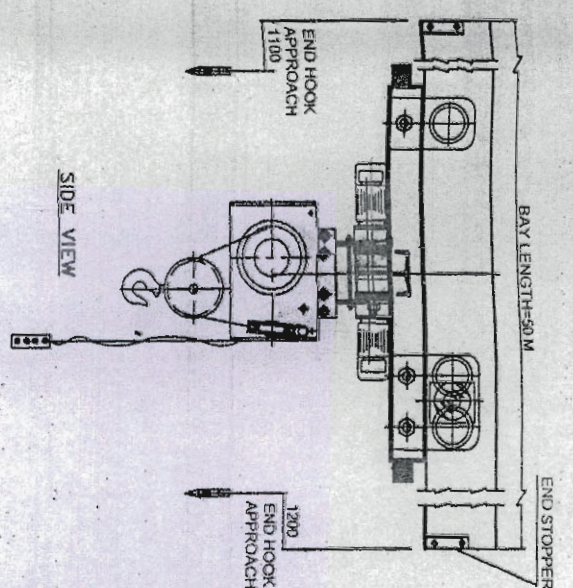
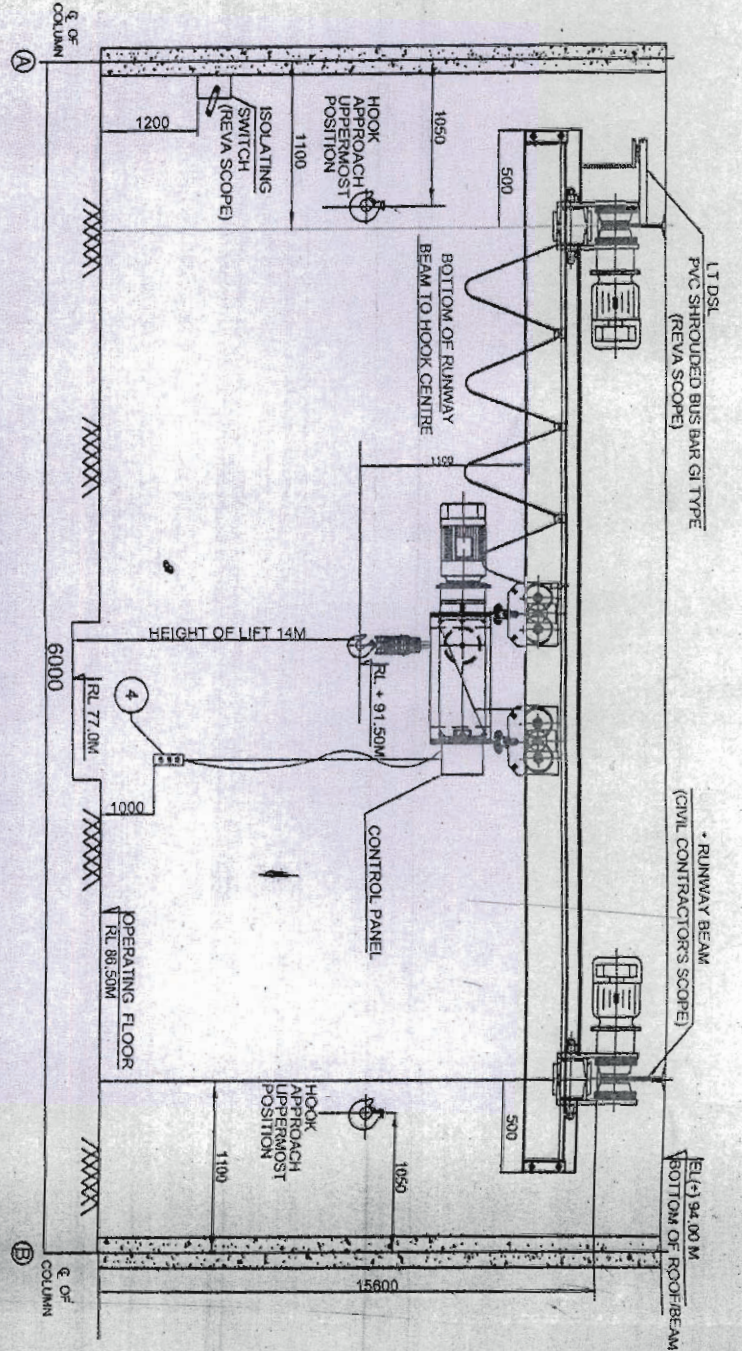
- NOTE:
- 1 - ALL DIMENSIONS ARE IN mm. SUBJECT TO ± 50mm VARIATION EXCEPT SPAN & DIAGONAL.
 - 2 - DSL(T) ⇒ SHROUDED BUS BAR CONDUCTOR
 - 3 - BAY LENGTH - 25M.
 - 4 - POWER 415V AND CONTROL SUPPLY 24V AC.
 - 5 - Control Panel Class of Protection-IP 52

S.NO.	DESCRIPTIONS	QTY
1	MAIN GIRDER	01
2	END CARRIAGE (IS: 2062)	02
3	BUFFER (RUBBER)	04
4	PENDANT (PUSH BUTTON)	01
5	C.T. DSL ARRANGEMENT	01
6	LT GEAR BOX	02
7	LT MOTOR	02
8	LT BRAKE	02
9	LT WHEEL	10

LOCATION	AIR COMPRESSOR BUILDING
S.W.L	5 T
QTY	1
CLASS OF DUTY DESIGN STANDARD	CL-III(M)/IS:3338, 3177 & 807
SPAN	8.40 M
LIFT	7 M
RUNWAY BEAM SIZE	
RUNWAY BEAM LENGTH	25M
HOISTING SPEED (MAIN)	0.3-3 MPM THROUGH VVVF AC DRIVE
C.T. SPEED	10 MPM
L.T. SPEED	10 MPM
CRANE WEIGHT	2.6 T (APX)
HOIST WEIGHT	0.45 T (APX)
DRUM DIA (LENGTH)(mm)	Ø280(650)

MOTOR		LOCATION	M.H	C.T	L.T
MAKE	3.7/01		0.55 / 02		0.55 / 02
TYPE	TEC SCRS 54 DUTY, 40% DUTY CLASS F WITH TEMP. RISE LIMITED TO CLASS B, INSULATION CLASS F-85, 180 STEEL, AMBIENT SPEC. SUITABLE FOR 415V/50% & 50Hz/25% AND CONSIDERED VOLTAGE FREQUENCY VARIATION -10%(ABSOLUTE)				
LIMIT SWITCH		LOCATION	M.H	C.T	L.T
MAKE	02				
TYPE	SWAP ACTION TWO WAYS LEVER				
BRAKE		LOCATION	M.H	C.T	L.T
MAKE	14				
QTY	01				
TYPE	SPEED-O-CONTROL/ELECTROMAGNETIC				
GEAR BOX		LOCATION	M.H	C.T	L.T
MAKE	02				
TYPE	OCEM DISC TYPE				
HOOK		LOCATION	M.H	C.T	L.T
MAKE	01				
TYPE	HEERMAN HOIST/STEEL FORGING				
WIRE ROPE		LOCATION	M.H	C.T	L.T
MAKE	01				
TYPE	S.A.S ROLLER BEARING, TAPER ROLLER				
WHEELS		LOCATION	M.H	C.T	L.T
MAKE	01				
TYPE	ANTI-FRICTION DEEP GROOVE BALL BEARING				
SHEAVE		LOCATION	M.H	C.T	L.T
MAKE	01				
TYPE	ANTI-FRICTION DEEP GROOVE BALL BEARING				

QUANTUM STEEL REINFORCEMENT CONSTRUCTION LIMITED
 100/101, 102/103 & 104/105, 106/107, 108/109, 110/111, 112/113, 114/115, 116/117, 118/119, 120/121, 122/123, 124/125, 126/127, 128/129, 130/131, 132/133, 134/135, 136/137, 138/139, 140/141, 142/143, 144/145, 146/147, 148/149, 150/151, 152/153, 154/155, 156/157, 158/159, 160/161, 162/163, 164/165, 166/167, 168/169, 170/171, 172/173, 174/175, 176/177, 178/179, 180/181, 182/183, 184/185, 186/187, 188/189, 190/191, 192/193, 194/195, 196/197, 198/199, 200/201, 202/203, 204/205, 206/207, 208/209, 210/211, 212/213, 214/215, 216/217, 218/219, 220/221, 222/223, 224/225, 226/227, 228/229, 230/231, 232/233, 234/235, 236/237, 238/239, 240/241, 242/243, 244/245, 246/247, 248/249, 250/251, 252/253, 254/255, 256/257, 258/259, 260/261, 262/263, 264/265, 266/267, 268/269, 270/271, 272/273, 274/275, 276/277, 278/279, 280/281, 282/283, 284/285, 286/287, 288/289, 290/291, 292/293, 294/295, 296/297, 298/299, 300/301, 302/303, 304/305, 306/307, 308/309, 310/311, 312/313, 314/315, 316/317, 318/319, 320/321, 322/323, 324/325, 326/327, 328/329, 330/331, 332/333, 334/335, 336/337, 338/339, 340/341, 342/343, 344/345, 346/347, 348/349, 350/351, 352/353, 354/355, 356/357, 358/359, 360/361, 362/363, 364/365, 366/367, 368/369, 370/371, 372/373, 374/375, 376/377, 378/379, 380/381, 382/383, 384/385, 386/387, 388/389, 390/391, 392/393, 394/395, 396/397, 398/399, 400/401, 402/403, 404/405, 406/407, 408/409, 410/411, 412/413, 414/415, 416/417, 418/419, 420/421, 422/423, 424/425, 426/427, 428/429, 430/431, 432/433, 434/435, 436/437, 438/439, 440/441, 442/443, 444/445, 446/447, 448/449, 450/451, 452/453, 454/455, 456/457, 458/459, 460/461, 462/463, 464/465, 466/467, 468/469, 470/471, 472/473, 474/475, 476/477, 478/479, 480/481, 482/483, 484/485, 486/487, 488/489, 490/491, 492/493, 494/495, 496/497, 498/499, 500/501, 502/503, 504/505, 506/507, 508/509, 510/511, 512/513, 514/515, 516/517, 518/519, 520/521, 522/523, 524/525, 526/527, 528/529, 530/531, 532/533, 534/535, 536/537, 538/539, 540/541, 542/543, 544/545, 546/547, 548/549, 550/551, 552/553, 554/555, 556/557, 558/559, 560/561, 562/563, 564/565, 566/567, 568/569, 570/571, 572/573, 574/575, 576/577, 578/579, 580/581, 582/583, 584/585, 586/587, 588/589, 590/591, 592/593, 594/595, 596/597, 598/599, 600/601, 602/603, 604/605, 606/607, 608/609, 610/611, 612/613, 614/615, 616/617, 618/619, 620/621, 622/623, 624/625, 626/627, 628/629, 630/631, 632/633, 634/635, 636/637, 638/639, 640/641, 642/643, 644/645, 646/647, 648/649, 650/651, 652/653, 654/655, 656/657, 658/659, 660/661, 662/663, 664/665, 666/667, 668/669, 670/671, 672/673, 674/675, 676/677, 678/679, 680/681, 682/683, 684/685, 686/687, 688/689, 690/691, 692/693, 694/695, 696/697, 698/699, 700/701, 702/703, 704/705, 706/707, 708/709, 710/711, 712/713, 714/715, 716/717, 718/719, 720/721, 722/723, 724/725, 726/727, 728/729, 730/731, 732/733, 734/735, 736/737, 738/739, 740/741, 742/743, 744/745, 746/747, 748/749, 750/751, 752/753, 754/755, 756/757, 758/759, 760/761, 762/763, 764/765, 766/767, 768/769, 770/771, 772/773, 774/775, 776/777, 778/779, 780/781, 782/783, 784/785, 786/787, 788/789, 790/791, 792/793, 794/795, 796/797, 798/799, 800/801, 802/803, 804/805, 806/807, 808/809, 810/811, 812/813, 814/815, 816/817, 818/819, 820/821, 822/823, 824/825, 826/827, 828/829, 830/831, 832/833, 834/835, 836/837, 838/839, 840/841, 842/843, 844/845, 846/847, 848/849, 850/851, 852/853, 854/855, 856/857, 858/859, 860/861, 862/863, 864/865, 866/867, 868/869, 870/871, 872/873, 874/875, 876/877, 878/879, 880/881, 882/883, 884/885, 886/887, 888/889, 890/891, 892/893, 894/895, 896/897, 898/899, 900/901, 902/903, 904/905, 906/907, 908/909, 910/911, 912/913, 914/915, 916/917, 918/919, 920/921, 922/923, 924/925, 926/927, 928/929, 930/931, 932/933, 934/935, 936/937, 938/939, 940/941, 942/943, 944/945, 946/947, 948/949, 950/951, 952/953, 954/955, 956/957, 958/959, 960/961, 962/963, 964/965, 966/967, 968/969, 970/971, 972/973, 974/975, 976/977, 978/979, 980/981, 982/983, 984/985, 986/987, 988/989, 990/991, 992/993, 994/995, 996/997, 998/999, 1000/1001, 1002/1003, 1004/1005, 1006/1007, 1008/1009, 1010/1011, 1012/1013, 1014/1015, 1016/1017, 1018/1019, 1020/1021, 1022/1023, 1024/1025, 1026/1027, 1028/1029, 1030/1031, 1032/1033, 1034/1035, 1036/1037, 1038/1039, 1040/1041, 1042/1043, 1044/1045, 1046/1047, 1048/1049, 1050/1051, 1052/1053, 1054/1055, 1056/1057, 1058/1059, 1060/1061, 1062/1063, 1064/1065, 1066/1067, 1068/1069, 1070/1071, 1072/1073, 1074/1075, 1076/1077, 1078/1079, 1080/1081, 1082/1083, 1084/1085, 1086/1087, 1088/1089, 1090/1091, 1092/1093, 1094/1095, 1096/1097, 1098/1099, 1100/1101, 1102/1103, 1104/1105, 1106/1107, 1108/1109, 1110/1111, 1112/1113, 1114/1115, 1116/1117, 1118/1119, 1120/1121, 1122/1123, 1124/1125, 1126/1127, 1128/1129, 1130/1131, 1132/1133, 1134/1135, 1136/1137, 1138/1139, 1140/1141, 1142/1143, 1144/1145, 1146/1147, 1148/1149, 1150/1151, 1152/1153, 1154/1155, 1156/1157, 1158/1159, 1160/1161, 1162/1163, 1164/1165, 1166/1167, 1168/1169, 1170/1171, 1172/1173, 1174/1175, 1176/1177, 1178/1179, 1180/1181, 1182/1183, 1184/1185, 1186/1187, 1188/1189, 1190/1191, 1192/1193, 1194/1195, 1196/1197, 1198/1199, 1200/1201, 1202/1203, 1204/1205, 1206/1207, 1208/1209, 1210/1211, 1212/1213, 1214/1215, 1216/1217, 1218/1219, 1220/1221, 1222/1223, 1224/1225, 1226/1227, 1228/1229, 1230/1231, 1232/1233, 1234/1235, 1236/1237, 1238/1239, 1240/1241, 1242/1243, 1244/1245, 1246/1247, 1248/1249, 1250/1251, 1252/1253, 1254/1255, 1256/1257, 1258/1259, 1260/1261, 1262/1263, 1264/1265, 1266/1267, 1268/1269, 1270/1271, 1272/1273, 1274/1275, 1276/1277, 1278/1279, 1280/1281, 1282/1283, 1284/1285, 1286/1287, 1288/1289, 1290/1291, 1292/1293, 1294/1295, 1296/1297, 1298/1299, 1300/1301, 1302/1303, 1304/1305, 1306/1307, 1308/1309, 1310/1311, 1312/1313, 1314/1315, 1316/1317, 1318/1319, 1320/1321, 1322/1323, 1324/1325, 1326/1327, 1328/1329, 1330/1331, 1332/1333, 1334/1335, 1336/1337, 1338/1339, 1340/1341, 1342/1343, 1344/1345, 1346/1347, 1348/1349, 1350/1351, 1352/1353, 1354/1355, 1356/1357, 1358/1359, 1360/1361, 1362/1363, 1364/1365, 1366/1367, 1368/1369, 1370/1371, 1372/1373, 1374/1375, 1376/1377, 1378/1379, 1380/1381, 1382/1383, 1384/1385, 1386/1387, 1388/1389, 1390/1391, 1392/1393, 1394/1395, 1396/1397, 1398/1399, 1400/1401, 1402/1403, 1404/1405, 1406/1407, 1408/1409, 1410/1411, 1412/1413, 1414/1415, 1416/1417, 1418/1419, 1420/1421, 1422/1423, 1424/1425, 1426/1427, 1428/1429, 1430/1431, 1432/1433, 1434/1435, 1436/1437, 1438/1439, 1440/1441, 1442/1443, 1444/1445, 1446/1447, 1448/1449, 1450/1451, 1452/1453, 1454/1455, 1456/1457, 1458/1459, 1460/1461, 1462/1463, 1464/1465, 1466/1467, 1468/1469, 1470/1471, 1472/1473, 1474/1475, 1476/1477, 1478/1479, 1480/1481, 1482/1483, 1484/1485, 1486/1487, 1488/1489, 1490/1491, 1492/1493, 1494/1495, 1496/1497, 1498/1499, 1500/1501, 1502/1503, 1504/1505, 1506/1507, 1508/1509, 1510/1511, 1512/1513, 1514/1515, 1516/1517, 1518/1519, 1520/1521, 1522/1523, 1524/1525, 1526/1527, 1528/1529, 1530/1531, 1532/1533, 1534/1535, 1536/1537, 1538/1539, 1540/1541, 1542/1543, 1544/1545, 1546/1547, 1548/1549, 1550/1551, 1552/1553, 1554/1555, 1556/1557, 1558/1559, 1560/1561, 1562/1563, 1564/1565, 1566/1567, 1568/1569, 1570/1571, 1572/1573, 1574/1575, 1576/1577, 1578/1579, 1580/1581, 1582/1583, 1584/1585, 1586/1587, 1588/1589, 1590/1591, 1592/1593, 1594/1595, 1596/1597, 1598/1599, 1600/1601, 1602/1603, 1604/1605, 1606/1607, 1608/1609, 1610/1611, 1612/1613, 1614/1615, 1616/1617, 1618/1619, 1620/1621, 1622/1623, 1624/1625, 1626/1627, 1628/1629, 1630/1631, 1632/1633, 1634/1635, 1636/1637, 1638/1639, 1640/1641, 1642/1643, 1644/1645, 1646/1647, 1648/1649, 1650/1651, 1652/1653, 1654/1655, 1656/1657, 1658/1659, 1660/1661, 1662/1663, 1664/1665, 1666/1667, 1668/1669, 1670/1671, 1672/1673, 1674/1675, 1676/1677, 1678/1679, 1680/1681, 1682/1683, 1684/1685, 1686/1687, 1688/1689, 1690/1691, 1692/1693, 1694/1695, 1696/1697, 1698/1699, 1700/1701, 1702/1703, 1704/1705, 1706/1707, 1708/1709, 1710/1711, 1712/1713, 1714/1715, 1716/1717, 1718/1719, 1720/1721, 1722/1723, 1724/1725, 1726/1727, 1728/1729, 1730/1731, 1732/1733, 1734/1735, 1736/1737, 1738/1739, 1740/1741, 1742/1743, 1744/1745, 1746/1747, 1748/1749, 1750/1751, 1752/1753, 1754/1755, 1756/1757, 1758/1759, 1760/1761, 1762/1763, 1764/1765, 1766/1767, 1768/1769, 1770/1771, 1772/1773, 1774/1775, 1776/1777, 1778/1779, 1780/1781, 1782/1783, 1784/1785, 1786/1787, 1788/1789, 1790/1791, 1792/1793, 1794/1795, 1796/1797, 1798/1799, 1800/1801, 1802/1803, 1804/1805, 1806/1807, 1808/1809, 1810/1811, 1812/1813, 1814/1815, 1816/1817, 1818/1819, 1820/1821, 1822/1823, 1824/1825, 1826/1827, 1828/1829, 1830/1831, 1832/1833, 1834/1835, 1836/1837, 1838/1839, 1840/1841, 1842/1843, 1844/1845, 1846/1847, 1848/1849, 1850/1851, 1852/1853, 1854/1855, 1856/1857, 1858/1859, 1860/1861, 1862/1863, 1864/1865, 1866/1867, 1868/1869, 1870/1871, 1872/1873, 1874/1875, 1876/1877, 1878/1879, 1880/1881, 1882/1883, 1884/1885, 1886/1887, 1888/1889, 1890/1891, 1892/1893, 1894/1895, 1896/1897, 1898/1899, 1900/1901, 1902/1903, 1904/1905, 1906/1907, 1908/1909, 1910/1911, 1912/1913, 1914/1915, 1916/1917, 1918/1919, 1920/1921, 1922/1923, 1924/1925, 1926/1927, 1928/1929, 1930/1931, 1932/1933, 1934/1935, 1936/1937, 1938/1939, 1940/1941, 1942/1943, 1944/1945, 1946/1947, 1948/1949, 1950/1951, 1952/1953, 1954/1955, 1956/1957, 1958/1959, 1960/1961, 1962/1963, 1964/1965, 1966/1967, 1968/1969, 1970/1971, 1972/1973, 1974/1975, 1976/1977, 1978/1979, 1980/1981, 1982/1983, 1984/1985, 1986/1987, 1988/1989, 1990/1991, 1992/1993, 1994/1995, 1996/1997, 1998/1999, 2000/2001, 2002/2003, 2004/2005, 2006/2007, 2008/2009, 2010/2011, 2012/2013, 2014/2015, 2016/2017, 2018/2019, 2020/2021, 2022/2023, 2024/2025, 2026/2027, 2028/2029, 2030/2031, 2032/2033, 2034/2035, 2036/2037, 2038



NOTE:
 1- ALL DIMENSIONS ARE IN mm.
 SUBJECTED TO ± 50mm VARIATION EXCEPT SPAN & DIAGONAL.
 2- DSL(L) ⇒ SHROUDED BUS BAR CONDUCTOR
 3- BAY LENGTH - 50M.
 4- POWER 415V AND CONTROL SUPPLY 24V AC.
 5 Class of protection for control panel-IP 52

S.NO.	DESCRIPTIONS	QTY
1	MAIN GIRDER	01
2	END CARRIAGE (IS-2002)	02
3	BUFFER (RUBBER)	04
4	PENDANT (PUSH BUTTON)	01
5	C.T. DSL ARRANGEMENT	01
6	L.T. GEAR BOX	02
7	L.T. MOTOR	02
8	L.T. BRAKE	02
9	L.T. WHEEL	10

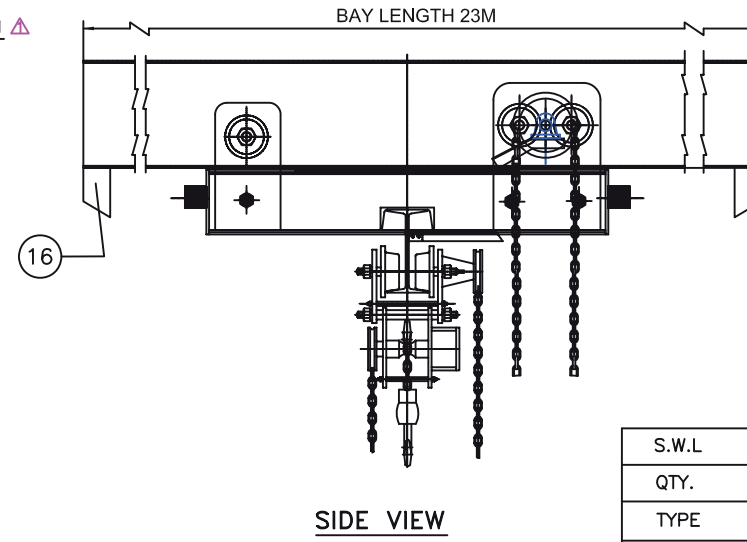
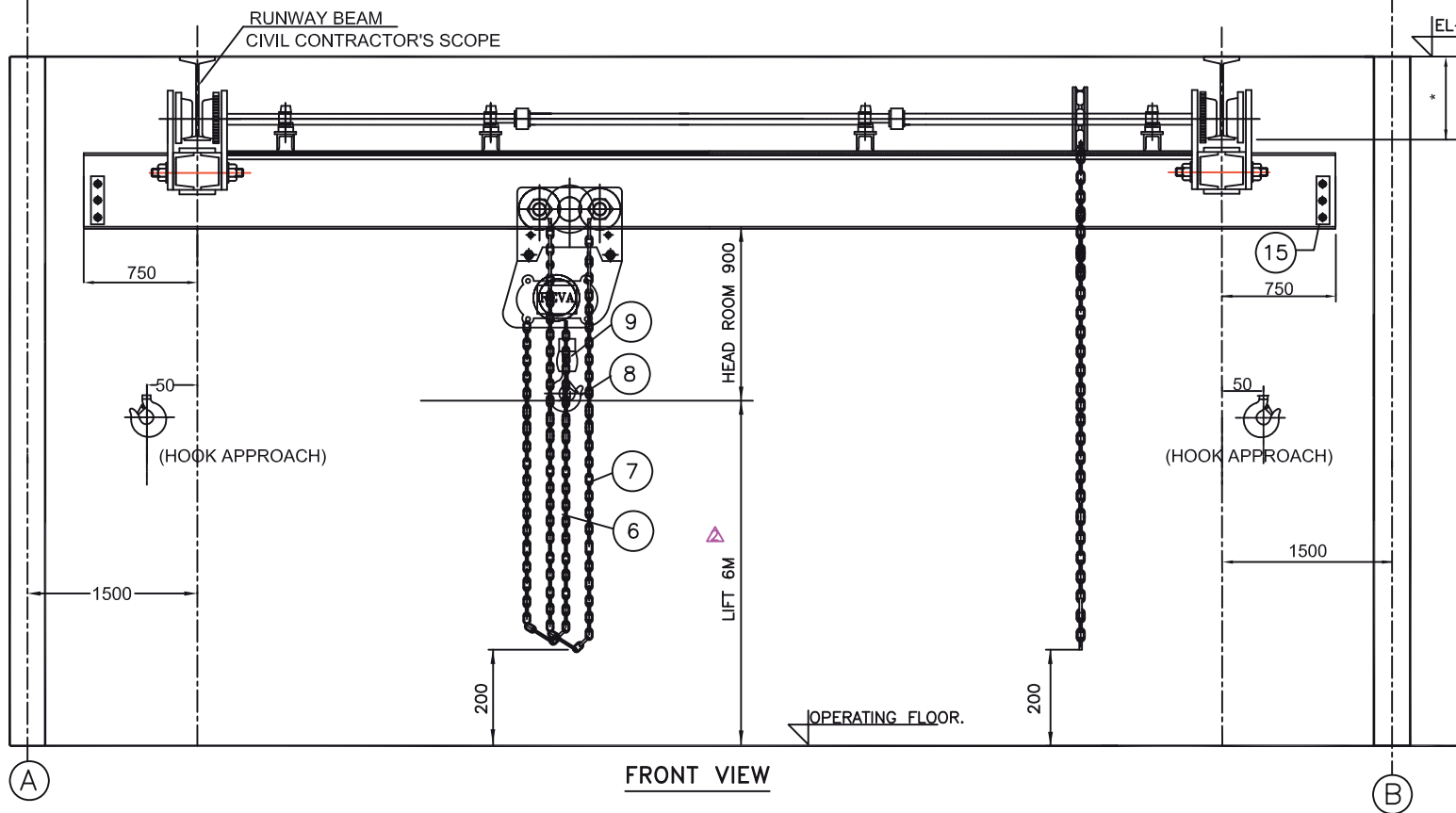
LOCATION	CLASSIFIED WATER/WATER PUMP HOUSE
S.W.L	5 T
QTY	1
CLASS OF DUTY/DESIGN STANDARD	CL-II(M5) / IS-3938, 3177 & 807
SPAN	3.8 M
LIFT	14 M
RUNWAY BEAM SIZE	50M
RUNWAY BEAM LENGTH	0.3-3 MPM THROUGH VWF AC DRIVE
HOISTING SPEED (MAIN)	10 MPM
C.T. SPEED	10 MPM
L.T. SPEED	1.3 T(APPX)
CRANE WEIGHT	0.45 T(APPX)
HOIST WEIGHT	0.45 T(APPX)
DRUM DIA / LENGTH(mm)	Ø280/1000

MOTOR	LOCATION	MAKE	TYPE	MAKE	TYPE
M.H	C.T	L.T	3.7/01	0.55 / 02	0.55 / 02
BRAKE <td>LOCATION <td>MAKE <td>TYPE <td>MAKE <td>TYPE</td> </td></td></td></td>	LOCATION <td>MAKE <td>TYPE <td>MAKE <td>TYPE</td> </td></td></td>	MAKE <td>TYPE <td>MAKE <td>TYPE</td> </td></td>	TYPE <td>MAKE <td>TYPE</td> </td>	MAKE <td>TYPE</td>	TYPE
SWITCH <td>LOCATION <td>MAKE <td>TYPE <td>MAKE <td>TYPE</td> </td></td></td></td>	LOCATION <td>MAKE <td>TYPE <td>MAKE <td>TYPE</td> </td></td></td>	MAKE <td>TYPE <td>MAKE <td>TYPE</td> </td></td>	TYPE <td>MAKE <td>TYPE</td> </td>	MAKE <td>TYPE</td>	TYPE
GEAR BOX <td>LOCATION <td>MAKE <td>TYPE <td>MAKE <td>TYPE</td> </td></td></td></td>	LOCATION <td>MAKE <td>TYPE <td>MAKE <td>TYPE</td> </td></td></td>	MAKE <td>TYPE <td>MAKE <td>TYPE</td> </td></td>	TYPE <td>MAKE <td>TYPE</td> </td>	MAKE <td>TYPE</td>	TYPE
HOOK <td>LOCATION <td>MAKE <td>TYPE <td>MAKE <td>TYPE</td> </td></td></td></td>	LOCATION <td>MAKE <td>TYPE <td>MAKE <td>TYPE</td> </td></td></td>	MAKE <td>TYPE <td>MAKE <td>TYPE</td> </td></td>	TYPE <td>MAKE <td>TYPE</td> </td>	MAKE <td>TYPE</td>	TYPE
WIRE ROPE <td>LOCATION <td>MAKE <td>TYPE <td>MAKE <td>TYPE</td> </td></td></td></td>	LOCATION <td>MAKE <td>TYPE <td>MAKE <td>TYPE</td> </td></td></td>	MAKE <td>TYPE <td>MAKE <td>TYPE</td> </td></td>	TYPE <td>MAKE <td>TYPE</td> </td>	MAKE <td>TYPE</td>	TYPE
WHEELS <td>LOCATION <td>MAKE <td>TYPE <td>MAKE <td>TYPE</td> </td></td></td></td>	LOCATION <td>MAKE <td>TYPE <td>MAKE <td>TYPE</td> </td></td></td>	MAKE <td>TYPE <td>MAKE <td>TYPE</td> </td></td>	TYPE <td>MAKE <td>TYPE</td> </td>	MAKE <td>TYPE</td>	TYPE
SHAFTE <td>LOCATION <td>MAKE <td>TYPE <td>MAKE <td>TYPE</td> </td></td></td></td>	LOCATION <td>MAKE <td>TYPE <td>MAKE <td>TYPE</td> </td></td></td>	MAKE <td>TYPE <td>MAKE <td>TYPE</td> </td></td>	TYPE <td>MAKE <td>TYPE</td> </td>	MAKE <td>TYPE</td>	TYPE

FOR APPROVAL

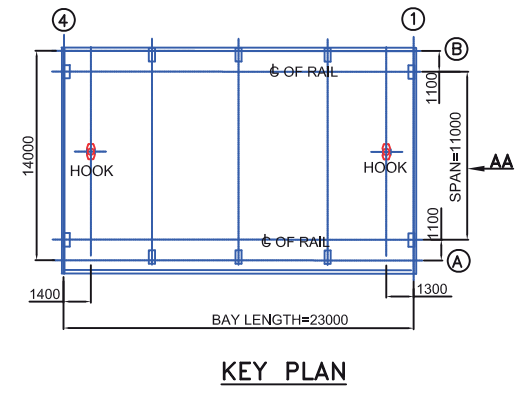
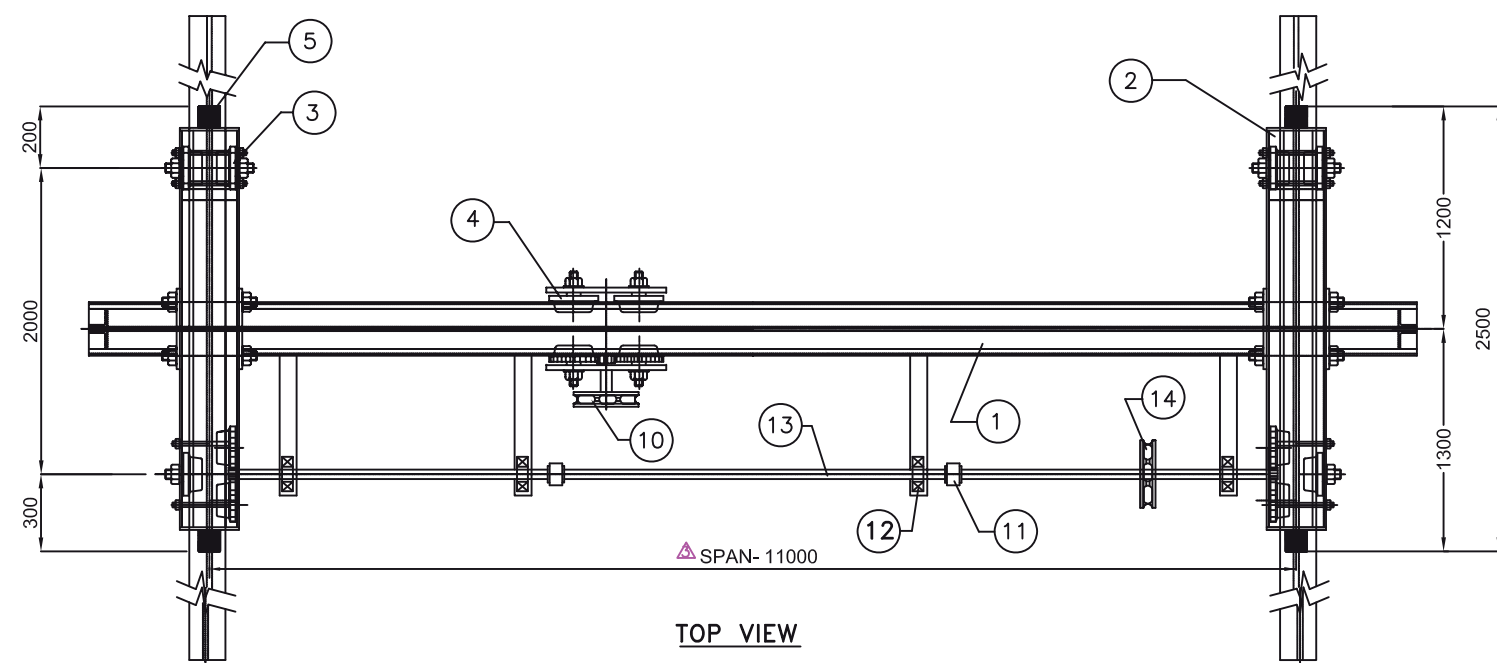
ICE CONSULTING ENGINEERS LIMITED
 1880 8th Ave, 1st & 2nd Floor, Sector 17, Gurgaon, Haryana
 122001

ICE CONSULTING ENGINEERS LIMITED
 1880 8th Ave, 1st & 2nd Floor, Sector 17, Gurgaon, Haryana
 122001



S.W.L	5.0T
QTY.	01
TYPE	CL-II (M5) AS PER IS:3177, IS:807, IS:3832
SPAN	11.0M
LIFT	6M
LOCATION	ACW BUILDING
CRANE WEIGHT	2 T.(APPX.)
HOIST WEIGHT	0.08 T.(APPX.)

S.NO	DESCRIPTIONS	QTY	MATERIAL
16	END STOPPER FOR L.T	02	M.S.
15	END STOPPER FOR C.T	02	M.S.
14	HAND CHAIN WHEEL FOR L.T.	01	MALLEABLE IRON IS:2108
13	FLOATING SHAFT	01	MS
12	PLUMMER BLOCK	03	C.I.
11	COUPLING	01	C.I./EN8/ EN9
10	HAND CHAIN WHEEL FOR HOISTING	01	MALLEABLE IRON,IS:2108
09	LOAD SPROCKET	01	MALLEABLE IRON,IS:2108
08	HOOK	01	AS PER IS: 15560 (FORGED)
07	HAND CHAIN	01	Gr-30,L(3) IS: 2429 PART I
06	LOAD CHAIN	01	Gr-80,(T8) IS: 6216
05	BUFFER	04	RUBBER
04	C.T. WHEEL	04	C.I. GR.-FG 260, IS:210
03	L.T. WHEEL (PLANE+GEARED TYPE)	10	EN8, BS-970
02	END CARRIAGE	02	IS: 2062 , Gr. A/B
01	MAIN GIRDER	01	IS: 2062 , Gr. A/B



DETAILS OF CHAIN PULLEY BLOCK

S.NO.	CAP.	LIFT IN METRE	NO. OF FALLS	GEAR RATIO	VELO RATIO	MECH. ADV.	EFFI. %AGE	EFFORT FOR HOIST (Kg)	EFFORT FOR TROLLEY(Kg)	LOAD CHAIN	HAND CHAIN
01	5.0 T	6	4	23	159	96	60.5	52	25	8 mm	6 mm

NOTE-
 1 - ALL DIMENSIONS ARE IN mm. SUBJECT TO ± 50mm VARIATION EXCEPT SPAN & DIAGONAL.
 2- DSL(LT) => SHROUDED BUS BAR CONDUCTOR
 3- BAY LENGTH - 23M.
 4- POWER 415V AND CONTROL SUPPLY 24V AC.
 5- PAINTING : -
 2 COAT OF PRIMER RED OXIDE ZINC CHROMATE
 3 COATS OF FINISH COAT -SYNTHETIC ENEMAL
 TOTAL DFT- 125-145µm (Min.)
 COLOR SHADE -GOLDEN YELLOW
 6- * MARK DIMENSION TO BE FURNISHED BY CLIENT.

CAT I - (APPROVED)

ANJANI KUMAR
 Digitally signed by ANJANI KUMAR
 DN: cn=ANJANI KUMAR, o=BHEL, ou=PEM, email=anjani@bhelpem.co.in, c=IN
 Date: 2011.06.04 11:29:17 +05'30'

FOR APPROVAL

JOB NO. 204		STATUS CONTRACT		DISTRIBUTION TO		NO. OF		REV. DATE		ALTD		CHD		APPO	
01		12.08.10		KULVR		HARVR		RHRH							
GSECL		GUJARAT STATE ELECTRICITY CORPORATION LIMITED		12500 NW, UNIT # 6, URAI THERMAL POWER STATION		TCE CONSULTING ENGINEERS LIMITED		BHARAT HEAVY ELECTRICALS LTD		POWER SECTOR		PROJECT ENGINEERING MANAGEMENT		NEW DELHI	
GA OF 5T Single Girder UnderSlung HOT		Crane for ACW BUILDING		DEPT. CODE		SERIAL		SIGN		DATE		APPRO		DATE	
SCALE		SCALE		DRAWING NO.		PE-VO-294-524-A262		SHEET		1 OF 1		REV.		3	