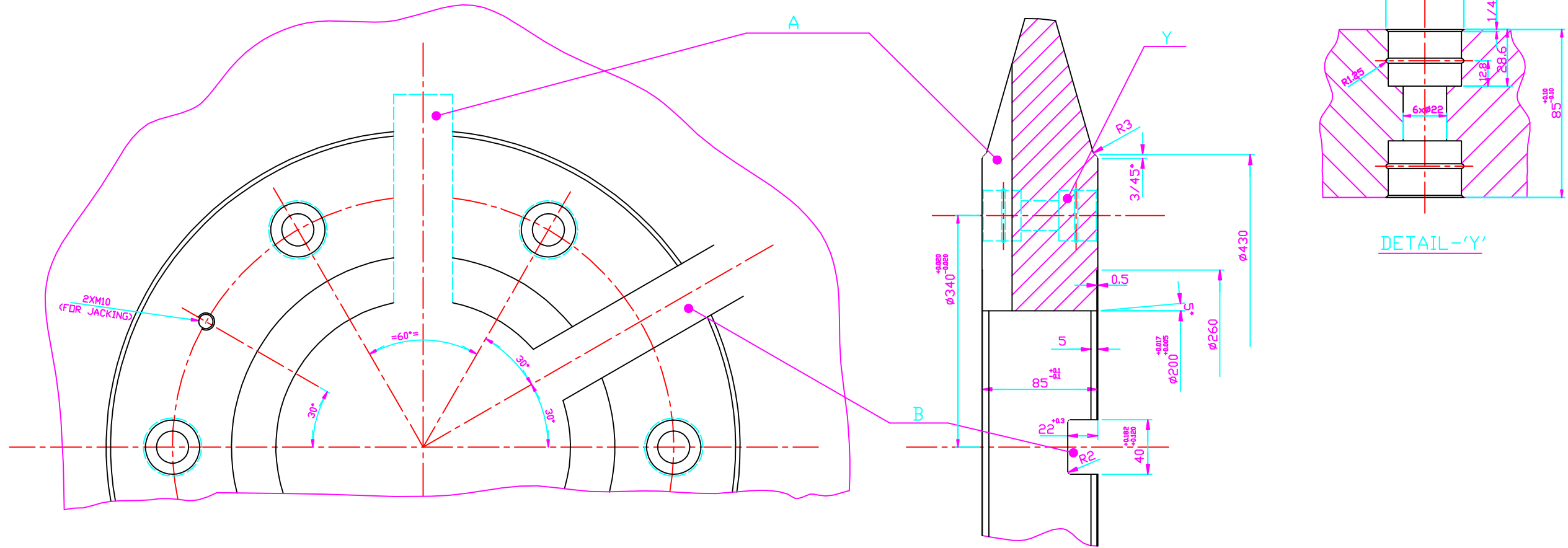


FIRST ANGLE PROJECTION

(ALL DIMENSIONS ARE IN mm)

DRG. NO.



THE INFORMATION ON THIS DOCUMENT IS THE PROPERTY OF BHARAT HEAVY ELECTRICALS LIMITED. IT MUST NOT BE USED DIRECTLY OR INDIRECTLY IN ANY WAY DETRIMENTAL TO THE INTEREST OF THE COMPANY

FILE NAME.

REF. DRG. NO.

INVENTORY NO


REV.	DATE	ALTERED		REV.	DATE	ALTERED	
		CHD.	APPD.			CHD.	APPD.
ZONE				ZONE			

ITEM NO.	DESCRIPTION	DRAWING NO.	VAR. NO.	RAW MATERIAL SIZE OR CASTING DRG. NO. OR FORGING DRG. NO.	MATERIAL CODE	NET WT.	GROSS WT.
					MATERIAL SPECN.	QUANTITY	

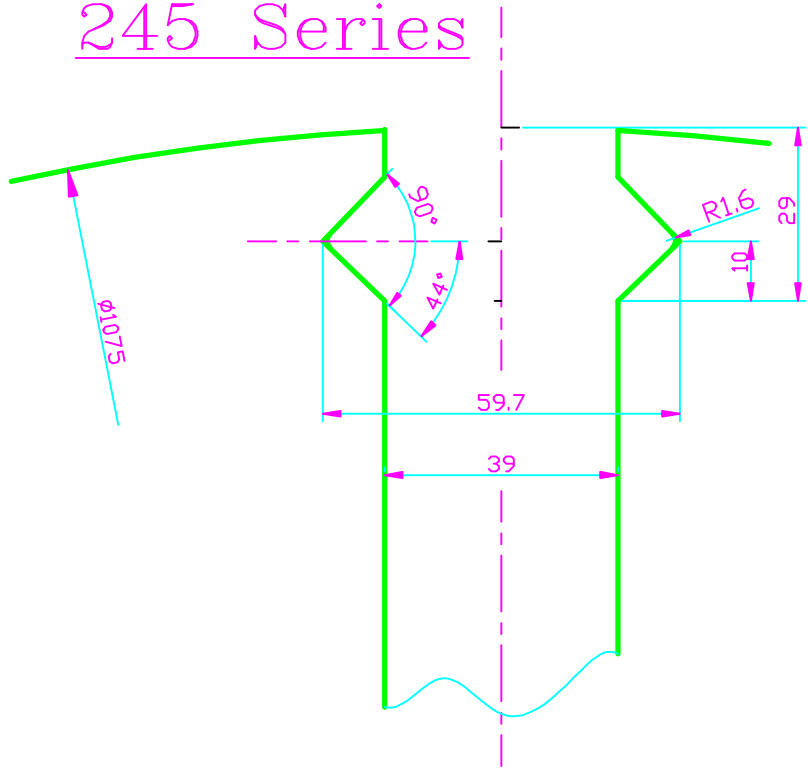
THE FOLLOWING CONDITIONS APPLY EXCEPT OTHERWISE STATED....

- REF. TO HY0230261 FOR UNSPECIFIED TOLERANCES.
- CHAMFER M/CD. SHARP EDGES 1.2 TO 1.0 AT 45°.
- INTERNAL M/CD. CORNER RADII 1 TO 0.7
- THE SURFACE ROUGHNESS WHEREVER NOT SHOWN SHALL BE TAKEN FROM THE SURFACE ROUGHNESS SHOWN OUT SIDE BACK SLASHES GIVEN AT THE TOP MOST RIGHT CORNER OF THE DRG.

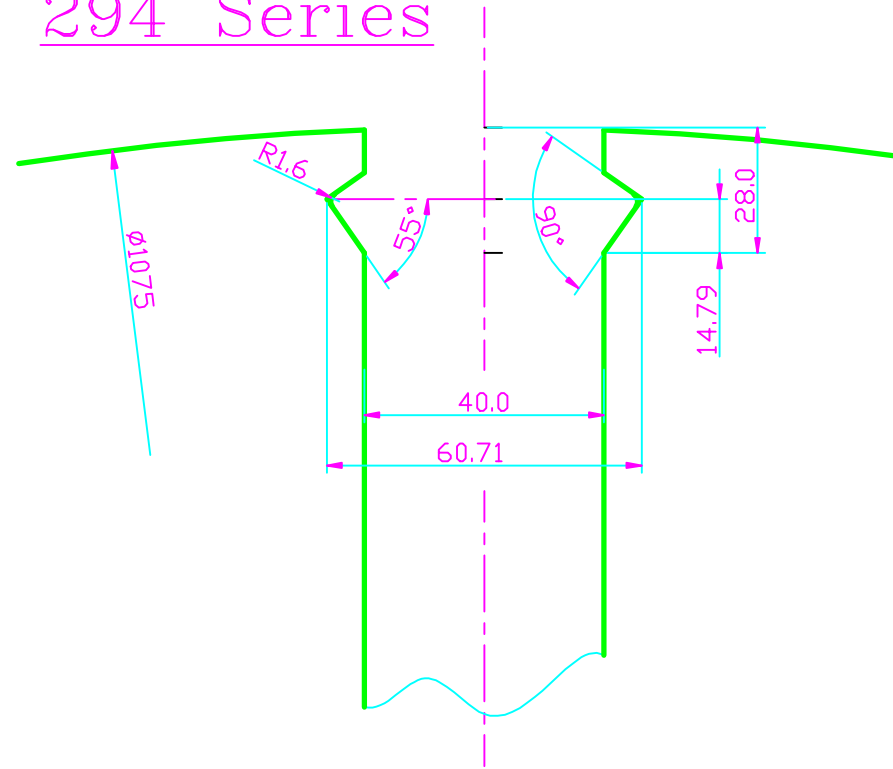
TYPE OF PRODUCT
NAME OF CUSTOMER/PROJECT

 BHARAT HEAVY ELECTRICALS LIMITED HYDERABAD	DRN.	NAME	SIGN.	DATE	NO. OF VAR.
	CHD.				
	APPD.				
DEPT.	SCALE	WEIGHT (KG)	REF. TO ASSY DRG.	ITEM NO.	NO. OF ITEMS
CODE					
TITLE CLAMPING DETAILS OF HELLER CUTTERS		TOOL NO.	DRAWING NO. 3-EMT-0543		REV. 00
			SHEET NO.	NO OF SHEETS	

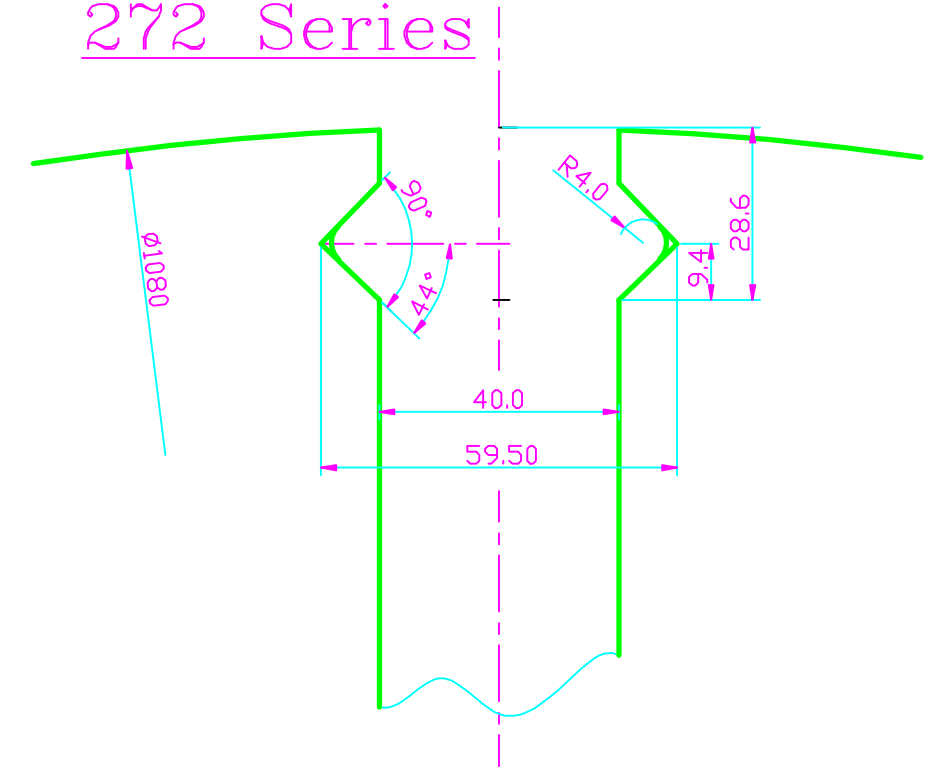
245 Series



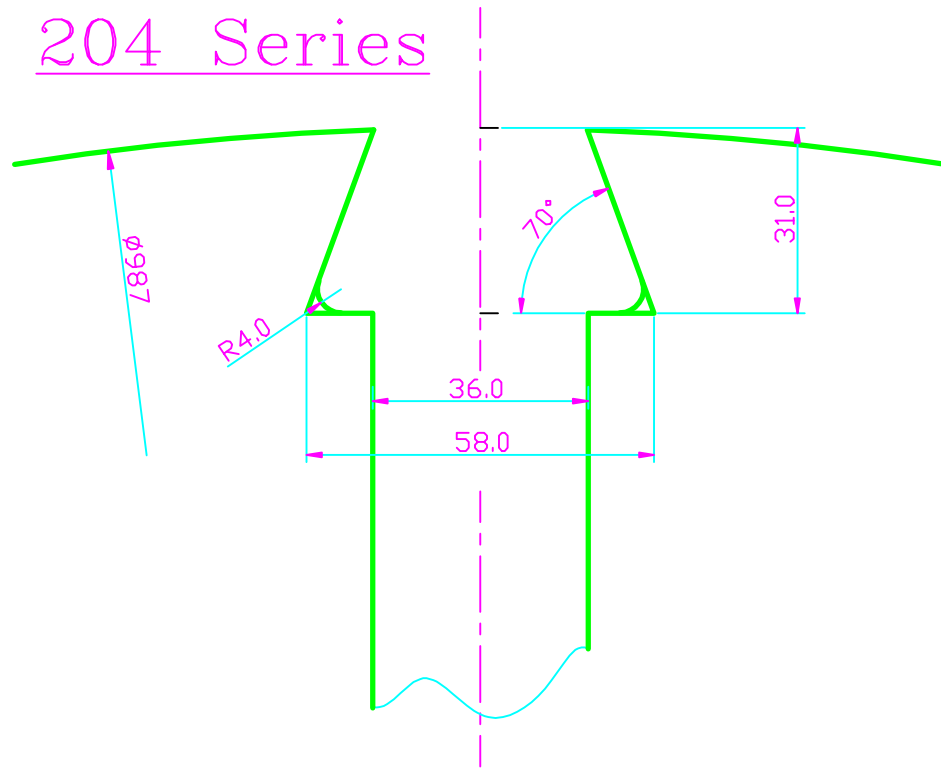
294 Series



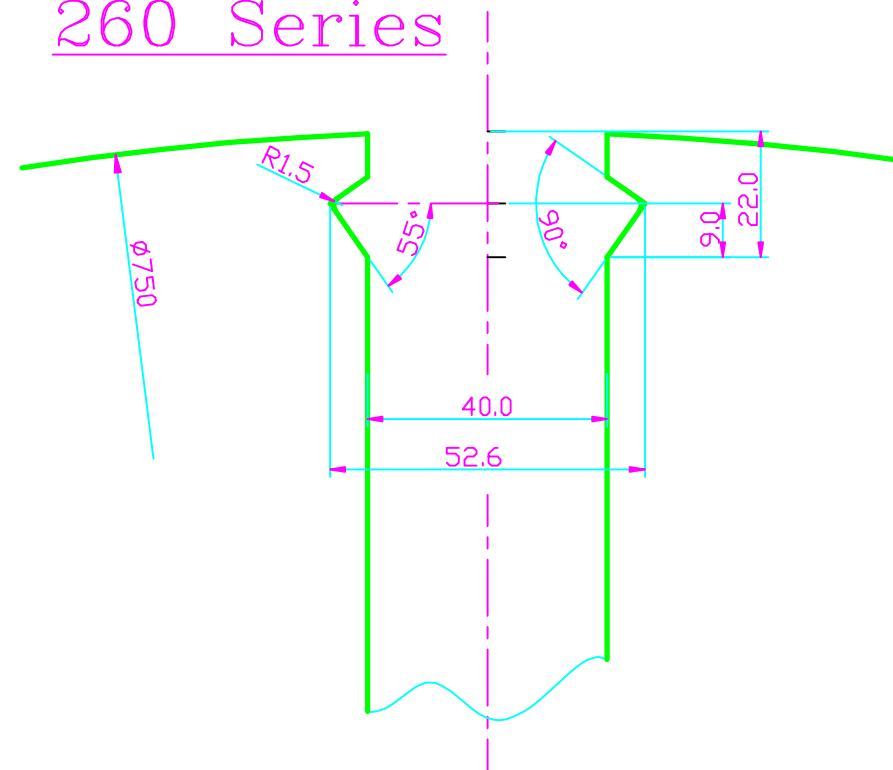
272 Series



204 Series



260 Series



SKETCH FOR DOVETAIL SLOT MILLING

SKETCH No : 3-EMT-0843/00

Dt.30.03.2009