

## **Annexure – A: Terms & Conditions**


- 1) Offers taking deviation to BHEL-Payment terms , Risk Purchase Clause, Guarantee Clause and not accepting LD (accepting Nil LD) will be rejected.
- 2) Non Acceptance of BHEL terms and conditions will attract loading of offers to arrive ranking.
- 3) Tender shall be submitted in Two parts.

Part-1 shall consists **a)** Duly filled in supplier registration with all relevant annexures as a set in duplicate along with the 10 Nos of sample **b)** Point wise confirmation to drawing (signed by vendor) along with list of deviations (if any) and **c)** filled in commercial terms annexure-B along with **d)** Unpriced Bid.(Price bid with our price)

Part – 2 shall consist only price bid.

Both the bids shall be submitted in separate covers sealed and superscribing Enquiry No., Due date and Part- 01 Techno Commercial Bid with SRF and PQR / Part-02 Price Bid.

- 4) This enquiry shall be subject to jurisdiction of the Courts at Ranipet, Vellore District, Tamilnadu
- 5) Any revised offer (S) sent by vendors on their own, after the tender opening will be treated as “Unsolicited Offer”. Such offers will not be considered and necessary action as deemed fit will be taken by BHEL on those vendors. Hence, competitive offer to be given in the original offer itself.
- 6) Tender should be sent in duplicate in a sealed cover. Inner cover sealed with tenderer’s distinctive seal and superscribed with correct Tender no., Item of Supply, Due date of opening and Validity of the offer addressed by designation to Manger / Purchase, Bharat Heavy Electricals Limited, Boiler Auxiliaries Plant, Indira Gandhi Industrial Complex, Ranipet, Vellore District – 632406, India.
- 7) **All tenderers submitting their offer are requested to fill up The Supplier Registration Form attached herein and submit it as Part -01 offer. Offers submitting supplier registration form only shall be considered for evaluation.**
- 8) **Authorization Letter:** Such of those tenderers who wish to participate in the Tender Opening, should attach an authorization letter which shall be duly signed and stamped in original, identifying the representative to be deputed for tender opening.

	<b>Annexure-II</b> <b>GUIDELINES TO INDIAN SUPPLIERS</b> <b>FOR FILLING-UP</b> <b>SUPPLIER REGISTRATION FORM</b>	Document No.	AA:MM:SR:01
		Revision No.	01
		Page No.	I of II

- Prospective Suppliers may also visit our web site [www.bhel.com](http://www.bhel.com) (link Supplier Registration -> New Supplier Required) to know more about the requirement of new suppliers for various items in our units.
- Registration Form may be obtained from BHEL website [www.bhel.com](http://www.bhel.com).
- Application for registration, with a covering letter detailing where your products can find application (if possible) in BHEL unit(s), should be sent to:

Supplier Development Cell  
Unit Name:  
Bharat Heavy Electricals Ltd.  
City:  
India


- In case registration is being sought in multiple units of BHEL, please send the separate application to each unit.
- Any clarification with respect to procedure for registration may be obtained from the Supplier Development Cell of respective BHEL unit.
- The Supplier Registration Form has four parts:

Part A	Organisational Information	Form no. SRF(I)01 – page 1 to 10
Part B	Quality System	Form no. SRF(I)01 - page 11 to 12
Part C	Technical Competence	Form no. SRF(I)01 page 13 (if sent by BHEL)
Part D	Score Sheet (to be filled by BHEL)	Form no. SRF(I)01 page 14 to 17

The set of formats to be filled by different category of suppliers is as follows:

Sl.No	Supplier Category	Formats
1.	Indian Suppliers ( manufacturers )	- Organisational Information - Quality System - Technical Competence
2.	Indian Stockist/ Trader/ Distributor/ Dealer/ Authorised Agent/ Channel partner/ Indian Sales office or Subsidiary of registered foreign principal	- Organisational Information SRF(I)01- Part A (page 1 to 10 except Sl. No. 5.1, 5.2, 6.6, 6.7, 7 & 8)

- All columns are to be filled up properly in the space provided for. Wherever it is not applicable, please mention “Not Applicable”. The form is to be signed by the authorised signatory.
- A separate sheet may be attached if the space provided is insufficient or additional information is to be given. Please put proper identification tag on the separately attached sheet.
- Please ensure that all required enclosures are attached with the filled up Supplier Registration Form and all enclosures are numbered & list of enclosures is given as required.
- As multiple copies of the application forms are required for processing at our end, please do not spiral bound the application forms or its enclosures and instead send them in two hole clip flat file.
- Incomplete forms will be rejected.
- Any information / clarification required by BHEL during evaluation must be given expeditiously.
- Please note that if you are registered and participate in Tender process and qualify to get order from BHEL, your performance based on Quality of your product, delivery performance and service rendered will be evaluated inline with Chapter VI.
- Please fill up the check- list given on next page and send along with the Supplier Registration Forms to BHEL.
- If you are attaching a document in a language other than Hindi/ English, a self attested Hindi/ English translated document may please be also attached.

	<b>Annexure-II</b> <b>Check List for Indian Supplier</b> <b>Registration Form</b>	Document No.	AA:MM:SR:01
		Revision No.	01
		Page No.	II of II

Sl.No.	Check-Point	Yes/No
1.	Information against all points under “Organizational Information” (Part-A) has been given.	
2.	All enclosures and supporting documents have been enclosed.	
3.	Summary list of enclosures has been furnished as per S.N.10 of Organisational Information form no. SRF (I) 01 & S.N 12 of Quality system form no. SRF (I) 01.	
4.	Are you an ISO 9001 accredited supplier?	
5.	If yes, have you enclosed "Table of Contents" of your Quality Manual and copy of ISO 9001 accreditation certificate?	
6.	Have you filled up Quality System format given in Part B?	
7.	Technical requirements, specifications, drawings, standards have been received from BHEL before filling up Technical Competence, Part C.	
8.	All the parts of the form & enclosures have been signed by Authorised Signatory.	
9.	Have you attached EFT details? (In original, Certified by the bank)	
10.	If you are seeking registration for a MSME company (as per MSME Act of Government of India), have you attached requisite certificate as per Act?	

Date :

Signature & seal

(Authorised Signatory)

Note: This check list is to be attached with the filled up Supplier Registration Form.

**BHARAT HEAVY ELECTRICALS LIMITED  
SUPPLIER REGISTRATION FORM**

**FORM NO. SRF(I) 01 (INDIAN SUPPLIER)**

**ANNEXURE-II**

Page 1 of 17

**INFORMATION WITH \* MARKS IS SCOREABLE.**

**PART- A : ORGANISATIONAL SOUNDNESS**

ALL COLUMNS SHOULD BE PROPERLY FILLED IN THE SPACE PROVIDED FOR, WHEREVER IT IS NOT APPLICABLE, PLEASE WRITE "NOT APPLICABLE". INCOMPLETE OR INCORRECT FORMS MAY NOT BE CONSIDERED. **PLEASE ATTACH SEPARATE SHEET, IF SPACE AVAILABLE IS INADEQUATE.**

**ALL THE PAGES OF THE FORM ARE TO BE SIGNED ALONGWITH SEAL BY THE AUTHORISED SIGNATORY**

<b>ORGANISATIONAL INFORMATION</b>			
<b>NAME AND CORRESPONDENCE ADDRESS OF THE SUPPLIER SEEKING REGISTRATION :-</b>			
<b>1.0 PRODUCTS / SYSTEMS / SERVICES FOR WHICH REGISTRATION IS APPLIED FOR :</b>			
SL. NO.	DESCRIPTION	SIZE & RANGE	MFG. STD/ IS / DIN /BS ETC.
<b>SUPPLIER'S AUTHORISED SIGNATORY</b>		<b>BHEL CERTIFIED ASSESSOR</b>	

**BHARAT HEAVY ELECTRICALS LIMITED  
SUPPLIER REGISTRATION FORM**

**FORM NO. SRF(I) 01 (INDIAN SUPPLIER)**

**ANNEXURE-II**

Page 2 of 17

**ORGANISATIONAL INFORMATION**

**2.0 GENERAL INFORMATION :**

2.1 NAMES OF THE WORKS/DIVISION (Products manufactured at each works to be mentioned :

ADDRESS :

E - Mail :

TELEPHONE : Landline

Mobile

FAX :

2.2 NAME OF CHIEF EXECUTIVE /  
PROPRIETOR / PARTNER & ADDRESS :

2.3 DETAILS OF AUTHORISED SIGNATORY FOR SEEKING CLARIFICATION :

NAME :

DESIGNATION :

E - Mail :

TELEPHONE : Landline

Mobile

FAX :

SUPPLIER'S AUTHORISED SIGNATORY

BHEL CERTIFIED ASSESSOR

**BHARAT HEAVY ELECTRICALS LIMITED  
SUPPLIER REGISTRATION FORM**

**FORM NO. SRF(I) 01 (INDIAN SUPPLIER)**

**ANNEXURE-II**

Page 3 of 17

**ORGANISATIONAL INFORMATION**

**3.0 OWNERSHIP INFORMATION : DOCUMENTS TO BE FURNISHED**

3.1 GOVT. OF INDIA UNDERTAKING:

OR

STATE GOVT. UNDERTAKING :

OR

LIMITED COMPANY, :

MEMORANDUM AND  
ARTICLES OF ASSOCIATION

OR

PRIVATE COMPANY :

MEMORANDUM AND  
ARTICLES OF ASSOCIATION

OR

CO-OPERATIVE SOCIETY, :

SOCIETY RULES AND  
BYE LAWS

OR

PARTNERSHIP FIRM, :

PARTNERSHIP DEED

OR

PROPRIETORSHIP, :

PROFESSION TAX REGN.  
AND MUNICIPAL REGN.

ANY OTHER (SPECIFY) :

3.2 NATURE OF BUSINESS :

(MANUFACTURING UNIT/  
ENGG CONSULTANT/ EPC CONTRACTOR)

(AGENTS/ DISTRIBUTORS/STOCKISTS/DEALERS/  
TRADERS/ INDIAN SUBSIDIARY/ CHANNEL PARTNER – attach authorization  
certificate of principal)

3.3 YEAR OF ESTABLISHMENT :

\* 3.4 YEAR OF COMMENCEMENT OF BUSINESS :

SUPPLIER'S AUTHORISED SIGNATORY

BHEL CERTIFIED ASSESSOR

**BHARAT HEAVY ELECTRICALS LIMITED  
SUPPLIER REGISTRATION FORM**

**FORM NO. SRF(I) 01 (INDIAN SUPPLIER)**

**ANNEXURE-II**

Page 4 of 17

**ORGANISATIONAL INFORMATION**

**4.0 REGISTRATION PARTICULARS**

( FURNISH DETAILS AND ENCLOSE COPY OF CERTIFICATE FOR THE FOLLOWING)

- 4.1 PERMANENT ACCOUNT NO :  
4.2 CENTRAL SALES TAX REGN NUMBER :  
4.3 STATE SALES TAX / TIN NUMBER :  
4.4 EXCISE DUTY REGN NUMBER :  
4.5 EXCISE CONTROL CODE NUMBER :  
4.6 SERVICE TAX REGN NUMBER :  
4.7 CATEGORY AS PER MSMED ACT : MICRO/ SMALL/ MEDIUM  
REGN NO. :  
VALID UPTO :  
(Attach Certificate)

**5.0 TOTAL ORGANISATIONAL STRENGTH : (ATTACH ORGANISATION CHART)**

- |  | GRADUATE | DIPLOMA | SKILLED | NON-SKILLED |
|--|----------|---------|---------|-------------|
| ENGINEERING :                                      |          |         |         |             |
| MANUFACTURING :                                    |          |         |         |             |
| QUALITY :  |          |         |         |             |
| COMMERCIAL /<br>SERVICE AFTER SALES :              |          |         |         |             |
| OTHERS :   |          |         |         |             |
| TOTAL :  |          |         |         |             |
| * 5.1 POWER BACKUP :<br>(GIVE DETAILS)             | YES/ NO  |         |         |             |
| * 5.2 DOES THE COMPANY SELL ITS PRODUCT DIRECTLY : | YES/ NO  |         |         |             |

SUPPLIER'S AUTHORISED SIGNATORY

BHEL CERTIFIED ASSESSOR

**BHARAT HEAVY ELECTRICALS LIMITED  
SUPPLIER REGISTRATION FORM**

**FORM NO. SRF(I) 01 (INDIAN SUPPLIER)**

**ANNEXURE-II**

Page 5 of 17

**ORGANISATIONAL INFORMATION**

**6.0 OTHER PARTICULARS :**

( FURNISH DETAILS AND ENCLOSE DOCUMENTARY EVIDENCE/ COPY OF CERTIFICATE FOR THE FOLLOWING)

\* 6.1 IF THE COMPANY IS ALREADY REGISTERED WITH ANY OF BHEL UNITS, GIVE :

6.1.1. BHEL UNIT'S NAME :

6.1.2. SUPPLIER REGN. CODE NO. :

6.1.3. ITEMS FOR WHICH REGISTERED & THEIR SPECIFICATION  
( ENCLOSE PROOF OF SUCCESSFUL EXECUTION OF  
ONE OR MORE PURCHASE ORDERS ) :

\* 6.2 IS THE COMPANY APPROVED BY  
ASME / NTPC / NPC / EIL / DGS&D / RAILWAYS /  
IBR / LLOYDS ETC FOR INTENDED  
MATERIAL CATEGORY? : YES / NO  
(ENCLOSE DOCUMENTARY EVIDENCE)

\* 6.3 IS THE COMPANY ISO 9001 APPROVED? : YES / NO  
(ENCLOSE CERTIFICATE & TOC OF QUALITY SYSTEM) :

\* 6.4 IS THE COMPANY AN ISO 14000 APPROVED? : YES / NO  
(ENCLOSE CERTIFICATE) :

\* 6.5 IS THE COMPANY OHSAS - 18000 APPROVED?: YES / NO  
(ENCLOSE CERTIFICATE)

\* 6.6 TECHNICAL COLLABORATOR :  
(FOREIGN OR INDIGENOUS)  
(ENCLOSE DOCUMENTARY EVIDENCE)

\* 6.7 R&D SET UP

6.8 DIRECTORS / PARTNERS, IF RELATED TO ANY  
BHEL EMPLOYEE.  
NAME :  
STAFE NO. :  
DESIGNATION :  
Unit & DEPARTMENT :  
RELATIONSHIP :

SUPPLIER'S AUTHORISED SIGNATORY

BHEL CERTIFIED ASSESSOR

**BHARAT HEAVY ELECTRICALS LIMITED  
SUPPLIER REGISTRATION FORM**

**FORM NO. SRF(I) 01 (INDIAN SUPPLIER)**

**ANNEXURE-II**

Page 6 of 17

**ORGANISATIONAL INFORMATION**

6.9 IF ANY EX-BHEL PERSONNEL IS EMPLOYED BY THE COMPANY, MENTION HIS / HER DETAILS OF LAST POSTING.

NAME :  
STAFF NO. :  
DESIGNATION :  
UNIT & DEPARTMENT :  
DATE OF LEAVING SERVICE :

6.10 COMPANY'S WEEKLY HOLIDAYS :

WORKS                      OFFICE

6.11 EXPERIENCE LIST:

(ATTACH LIST OF PRESENT CUSTOMERS WITH NAME & ADDRESS FOR OFFERED / SIMILAR TYPE & SIZE OF ITEM / EQUIPMENT FOR WHICH REGISTRATION HAS BEEN SOUGHT AND WITH WHOM YOU HAVE CONTINUOUS BUSINESS SINCE LAST THREE YEARS . ALSO ATTACH PERFORMANCE CERTIFICATES ISSUED BY ANY TWO CLIENTS FOR SUCCESSFUL EXECUTION OF THE CONTRACTS FOR LAST TWO YEARS- FOR PEM)

\*6.12 DETAILS OF PENDING LEGAL ISSUES ON CONTRACTUAL ASPECTS WITH CUSTOMER , IF ANY

6.13 The following information of Bank Account of the Company, duly endorsed by the Bank (required for Electronic Fund Transfer –EFT/RTGS) is to be submitted

1. Name of the Company
2. Name of Bank
3. Name of Bank Branch
4. City/Place
5. Account Number
6. Account type
7. IFSC code of the Bank Branch
8. MICR Code of the Bank Branch
9. Details of other Bankers (for reference purpose only)

NOTE :

Suppliers who have already submitted the above information are requested to submit a copy of the same.

SUPPLIER'S AUTHORISED SIGNATORY

BHEL CERTIFIED ASSESSOR

**BHARAT HEAVY ELECTRICALS LIMITED  
SUPPLIER REGISTRATION FORM**

FORM NO. SRF(I) 01 (INDIAN SUPPLIER)

ANNEXURE-II

Page 7 of 17

**ORGANISATIONAL INFORMATION**

**7.0 MANUFACTURING FACILITIES:**

**\*7.1 LIST OF MANUFACTURING FACILITIES/EQUIPMENTS (INCLUDING MATERIAL HANDLING FACILITY)**

SL. NO	DESCRIPTION OF MACHINE/EQUIPMENT	QUANTITY	MAKE & YEAR OF INSTALLATION	REMARKS

IN CASE OF SPACE LIMITATION, PLEASE ENCLOSE ANNEXURE / CATALOGUE WITH TAG

**\* 7.2 IF IN-HOUSE MFG FACILITIES NOT AVAILABLE, INFORM SOURCE OF MFG. DETAILS ALONGWITH THEIR FACILITIES & EXPERIENCE**

SL. NO	PROCESS OUTSOURCED	NAME OF THE COMPANY	DESCRIPTION OF MACHINE / EQUIPMENT	REMARKS

IN CASE OF SPACE LIMITATION ENCLOSE ANNEXURE / CATALOGUE WITH TAG

**\* 7.3 RATIO OF OUTSOURCED COST TO TOTAL PRODUCTION VALUE:**

SUPPLIER'S AUTHORISED SIGNATORY

BHEL CERTIFIED ASSESSOR

**BHARAT HEAVY ELECTRICALS LIMITED  
SUPPLIER REGISTRATION FORM**

FORM NO. SRF(I) 01 (INDIAN SUPPLIER)

ANNEXURE-II

Page 8 of 17

**ORGANISATIONAL INFORMATION**

**8.0 INSPECTION & TESTING FACILITIES:**

**\* 8.1 LIST OF INSPECTION & TESTING FACILITIES / EQUIPMENT**

SL. NO	DESCRIPTION OF FACILITY/ EQUIPMENT & CAPACITY	NOS.	MAKE & YEAR OF MANUFACTURING	LAST DATE OF CALIBERATION

IN CASE OF SPACE LIMITATION ENCLOSE ANNEXURE / CATALOGUE WITH TAG

**\* 8.2 IF IN-HOUSE TESTING FACILITIES NOT AVAILABLE, INDICATE SOURCE OF TESTING ALONGWITH THEIR FACILITIES & EXPERIENCE**

SL. NO	TEST	SOURCE OF TESTING	DESCRIPTION OF FACILITY/ EQUIPMENT & CAPACITY	APPROVAL OF EQUIPMENT/ PROCESS/PERSONNEL QUALIFICATION

IN CASE OF SPACE LIMITATION ENCLOSE ANNEXURE / CATALOGUE WITH TAG

**Note:**

**In case of outsourcing of major testing such as NDT, Electrical & Mechanical Testing, no marks will be awarded. However, material composition testing by chemical method from recognized laboratory shall not attract negative marking**

SUPPLIER'S AUTHORISED SIGNATORY

BHEL CERTIFIED ASSESSOR

# BHARAT HEAVY ELECTRICALS LIMITED SUPPLIER REGISTRATION FORM

FORM NO. SRF(I) 01 (INDIAN SUPPLIER)

ANNEXURE-II

Page 9 of 17

ORGANISATIONAL INFORMATION					
FINANCIAL INFORMATION FOR THE PREVIOUS FOUR YEARS					
9.0	Parameter	Year 1	Year 2	Year 3	Year 4
		(Years in ascending order, Money value in Rs. Lakhs )			
* 9.1	NET WORTH (Share Capital +Reserves)				
	Growth over previous year (%)	-----			
9.2	LONG TERM DEBT / LOAN				
* 9.3	DEBT EQUITY RATIO <u>Long term Debt (9.2)</u> <u>Net worth (9.1)</u>				
9.4	INVESTMENT IN: Land & Building				
	Plant & Machinery				
	Other Fixed Assets				
9.5*	NET CURRENT ASSETS				
	1 a) Cash on hand				
	b) Account receivable				
	c) Inventories				
	Total				
	CURRENT LIABILITY				
	2 a) Sundry creditors				
	b) Interest accrued but not due				
c) Other liabilities					
Total					
3	* QUICK RATIO <u>CA - INVENT. {9.5(1)-9.5(1)c}</u> Current liability {9.5 (2)}				
* 9.6	SALES				
	Growth over previous year (%)	-----			
* 9.7	PROFIT BEFORE TAX				
	Growth over previous year (%)	-----			
* 9.8	Whether the supplier has been referred to BIFR / NCLT / any other Govt agency ( If YES , enclose details)				YES / NO
* 9.9	Whether the supplier is a potential sick company.( If YES , enclose details)				YES / NO
<p>NOTE: 1. Copies of annual accounts (Balance Sheet) for the last four years (or from date of incorporation which ever is less) along with audit report are to be submitted. The above details shall be highlighted in the Balance Sheet.</p> <p>2. Status of Tax assessments done under various laws (Income Tax, VAT/Sales Tax, Excise &amp; Service Tax, Custom) and details of disputes pending, if any, with these authorities to be submitted.</p>					
SUPPLIER'S AUTHORISED SIGNATORY			BHEL CERTIFIED ASSESSOR		

# BHARAT HEAVY ELECTRICALS LIMITED SUPPLIER REGISTRATION FORM

FORM NO. SRF(I) 01 (INDIAN SUPPLIER)

ANNEXURE-II

Page 10 of 17

## ORGANISATIONAL INFORMATION

**10. LIST OF ENCLOSURES** (Tags to be put on enclosures) :

- (i) MEMORANDUM AND ARTICLES OF ASSOCIATION / SOCIETY RULES AND BYE LAWS / PARTNERSHIP DEED/ PROFESSION TAX REGN & MUNICIPAL REGN. : YES / NO
- (ii) Copy of certificate of following:-
- PERMANENT ACCOUNT NO : YES / NO
  - CENTRAL SALES TAX REGN NUMBER : YES / NO
  - STATE SALES TAX / TIN NUMBER : YES / NO
  - EXCISE DUTY REGN NUMBER : YES / NO
  - EXCISE CONTROL CODE NUMBER : YES / NO
  - SERVICE TAX REGN NUMBER : YES / NO
  - REGN NUMBER OF CATEGORY AS PER MSMED ACT : YES / NO
- (iii) ORGANISATION CHART : YES / NO
- (iv) If registered with any other BHEL Unit,
- LETTER OF REGISTRATION WITH BHEL UNIT : YES / NO
  - PROOF OF SUCCESSFUL EXECUTION OF ONE OR MORE PURCHASE ORDERS : YES / NO
- (v) Letter of approval from ASME / NTPC / NPC / EIL / DGS&D / RAILWAYS / IBR / LLOYDS ETC : YES / NO
- (vi) Accreditation certificate for
- ISO: 9001 : YES / NO
  - TOC of Quality System Manual : YES / NO
  - ISO : 14000 : YES / NO
  - OHSAS , ISO 18000 : YES / NO
- (vii) Letter regarding technical collaboration : YES / NO
- (viii) Experience List / Performance certificate : YES / NO
- (ix) Balance Sheet for the last four years along with audit Report : YES / NO
- (x) Principal's authorization in case of dealers/ agents : YES / NO
- (xi) EFT Bank's certificate : YES / NO

I /WE GIVE THE UNDERTAKING THAT BHEL DRAWINGS & SPECIFICATIONs SHALL NOT BE USED IN ANY WAY DETRIMENTAL TO THE INTEREST OF BHEL AND/ OR FOR SUPPLY OF ANY MATERIAL, PRODUCT OR SERVICES DIRECTLY OR INDIRECTLY TO ANY OTHER CUSTOMER.

Maximum Marks = 50

Negative Marks = -13

Minimum Qualifying marks = 30

SUPPLIER'S AUTHORISED SIGNATORY

BHEL CERTIFIED ASSESSOR

**BHARAT HEAVY ELECTRICALS LIMITED  
SUPPLIER REGISTRATION FORM**

**FORM NO. SRF(I) 01 (INDIAN SUPPLIER)**

**ANNEXURE-II**

Page 11 of 17

**FORM NO. SRF(I) 01**

**Part B (QUALITY SYSTEM):**

Sl. No	PARAMETERS	SYSTEM IN EFFECT (Tick if exists & provide evidences if ticked in written procedure)		RECORDS (Tick if available & submit evidences)	REMARKS
		Written Procedure	Practice		
1*	Incoming Material Control System				Furnish a copy of system and organization.
2*	In process control				Furnish at least one work instruction & record of process control parameter
3*	Manufacturing / Testing Procedure Qualification				Procedure Qualification specification may be submitted
4*	Personnel qualification for 3 above.				Record of Personnel qualification (PQR) to be submitted
5*	Calibration system				Submit list of instrument & their calibration status
6*	System of Identification & Traceability of materials, tools, jigs, fixtures & processed components, etc.				Copy of procedure to be submitted
7*	System of Storage, Preservation , Painting & packing				Copy of procedure to be submitted
8*	System of NCR disposition & corrective preventive action				Two copies of NCR & CAPA
9*	Customer complaints handling system				Submit list of customer complaints & status for the last three years
10*	Safety measures				Submit copy of safety system & Record of accidents for last three years
11	Any other quality initiative				

SUPPLIER'S AUTHORISED SIGNATORY

BHEL CERTIFIED ASSESSOR

**BHARAT HEAVY ELECTRICALS LIMITED  
SUPPLIER REGISTRATION FORM**

**FORM NO. SRF(I) 01 (INDIAN SUPPLIER)**

**ANNEXURE-II**

Page 12 of 17

**FORM NO. SRF(I) 01**

**Part B (QUALITY SYSTEM):**

**12. LIST OF ENCLOSURES**

- (i) Copy of system of control incoming materials and organization chart
- (ii) Copy of at least one process control work instruction
- (iii) Record of process control parameter
- (iv) Copy of at least one Procedure Qualification specification
- (v) Record of Personnel qualification (PQR)
- (vi) List of instrument & their calibration status
- (vii) Copy of procedure for Identification & Traceability of materials, tools, jigs, fixtures & processed components, etc.
- (viii) Copy of procedure for Storage/ preservation/ painting & packing
- (ix) Copies of two NCRs and their CAPA.
- (x) List of customer complaints & status for the last three years
- (xi) Copy of safety system
- (xii) Record of accidents for last three years

Maximum Marks = 25

Minimum Qualifying marks = 15

SUPPLIER'S AUTHORISED SIGNATORY

BHEL CERTIFIED ASSESSOR

# BHARAT HEAVY ELECTRICALS LIMITED SUPPLIER REGISTRATION FORM

FORM NO. SRF(I) 01 (INDIAN SUPPLIER)

ANNEXURE-II

Page 13 of 17 amdt.-04

## FORM NO. SRF(I)01

### Part C: TECHNICAL COMPETENCE

Technical competence shall be evaluated in two parts viz. common competence and product/material category specific competence.

#### (i) COMMON TECHNICAL COMPETENCE

TECHNICAL COMPETENCE ( where design specification is given by BHEL )	MARKING RANGE	Marking range, if product specific technical competency not required	SUPPLIER RESPONSE (ALONG WITH SUPPORTING DOCUMENTS)#	MARKS BY BHEL
1. Supplier understands the product specification.	(0-3)	(0-8)		
2. Supplier understands the inspection requirements.	(0-2)	(0-5)		
3. Supplier has process capability to achieve the product specification/dimensional requirement.	(0-3)	(0-8)		
4. Supplier has experienced manpower to carry out the job.	(0-2)	(0-4)		
<b>TOTAL MARKS OUT OF POSSIBLE</b>	<b>10</b>	<b>25</b>		

**OR**

TECHNICAL COMPETENCE (where performance specification is given by BHEL)	MARKING RANGE	Marking range, if product specific technical competency not required	PROCEDURE		SYSTEM IN EFFECT		RECORDS	
			SUPPLIER RESPONSE (ALONG WITH SUPPORTING	MARKS BY BHEL	SUPPLIER RESPONSE (ALONG WITH SUPPORTING	MARKS BY BHEL	SUPPLIER RESPONSE (ALONG WITH SUPPORTING	MARKS BY BHEL
1. Design capability	(0-3)	(0-8)						
2. Adequacy of quality assurance plan	(0-2)	(0-5)						
3. Process capability for components	(0-3)	(0-8)						
4. Adequate of testing	(0-2)	(0-4)						
<b>TOTAL MARKS OUT OF POSSIBLE Average of Total (Total/3) = -----</b>	<b>10</b>	<b>25</b>						

#### (ii) PRODUCT/ MATERIAL CATEGORY SPECIFIC TECHNICAL COMPETENCE

**(Max Marks: 15)**

Unit MISCC to structure the parameters to be considered for the technical competence depending on material category. The score of individual parameter selected is to be decided by MISCC. MISCC shall identify the requirement of enclosures to be furnished by supplier.

Product:

Sl. No	Material category	Tech Parameter	Supplier's response	Remarks

To be filled up only on receipt of technical requirements/ specification, drawings, standards from BHEL and to be sent to BHEL for further scrutiny. Enclose documentary evidence where ever required.

#### **LIST OF ENCLOSURES:**

Maximum Marks = 25

Minimum Qualifying marks = 15

# No marks is to be given by the supplier. Only supplier response along with supporting documents.

SUPPLIER'S AUTHORISED SIGNATORY

BHEL CERTIFIED ASSESSOR

# BHARAT HEAVY ELECTRICALS LIMITED SUPPLIER REGISTRATION FORM

FORM NO. SRF(I) 01 (INDIAN SUPPLIER)

ANNEXURE-II

Page 14 of 17

## Part D : SCORE SHEET

### 1. ORGANISATIONAL SOUNDNESS (for Manufacturers):

S.N.	PARAMETER	CRITERIA	Maxm. Marks	Marks Awarded
1.	Whether all <b>relevant information</b> like ownership, PAN no., sales tax no., excise duty no., etc. submitted	Yes: 2 No: 0	2	
2.	3.4 YEAR OF COMMENCEMENT OF BUSINESS	More than 5 years : 2 1-5 years : 1 Less than 1 year : 0	2	
3.	5.1 POWER BACKUP	Yes : 1 No : 0	1	
4.	5.2 DOES THE COMPANY SELL ITS PRODUCT DIRECTLY	Yes : 1 No : 0	1	
5.	6.1 REGISTERED WITH ANY OF BHEL UNITS	Yes (same item) : 2 Yes (another item) : 1 No : 0	2	
6.	6.2 APPROVAL BY ASME/ NTPC/ NPC/ EIL/ DGS&D/ RAILWAYS/ IBR/ LLOYDS ETC	Yes : 2 No : 0	2	
7.	6.3 ISO 9001 ACCREDITATION	Yes : 3 No : 0	3	
8.	6.4 ISO 14000 ACCREDITATION	Yes : 1 No : 0	1	
9.	6.5 OHSAS - 18000 ACCREDITATION	Yes : 1 No : 0	1	
10.	6.6 TECHNICAL COLLABORATOR : (FOREIGN OR INDIGENOUS)	Yes : 1 No : 0	1	
11.	6.7 R & D SET UP	Yes : 1 No : 0	1	
12.	6.12 PENDING LEGAL ISSUES ON TECHNO – COMMERCIAL ASPECTS WITH CUSTOMER	Yes : -5 No : 0	0	
13.	7.1 & 7.2 MANUFACTURING FACILITIES INCLUDING OUTSOURCING	Adequate : 3 Substantial : 2 Inadequate : 0	3	
14.	7.3 RATIO OF OUTSOURCED COST TO TOTAL PRODUCTION VALUE	Less than 10% : 2 10 to 30 % : 1 More than 30% : 0	2	
15.	8.1 INSPECTION & TESTING FACILITIES	Adequate : 2 Substantial : 1 Inadequate : 0	2	
16.	8.2 OUTSOURCING OF MAJOR TESTING FACILITY (Refer Note)	Yes : 0 No : 1	1	
	<b>TOTAL</b>		<b>25</b>	

### 1. ORGANISATIONAL SOUNDNESS (for Indian Stockist/ Trader/ Distributor/ Dealer/ Authorised Agent/ Channel partner/ Indian Sales office or Subsidiary of registered foreign principal):

S.N.	PARAMETER	CRITERIA	Maxm. Marks	Marks Awarded
1.	Whether all <b>relevant information</b> like ownership, PAN no., sales tax no., etc. submitted ( <b>clause 6.0 of chapter V to be referred in this regard</b> )	Yes: 7 No: 0	7	
2.	3.4 YEAR OF COMMENCEMENT OF BUSINESS	More than 3 years : 2 1-3 years : 1 Less than 1 year : 0	2	
3.	6.1 REGISTERED WITH ANY OF BHEL UNITS	Yes (same item) : 2 Yes (another item) : 1 No : 0	2	
4.	6.2 APPROVAL BY ASME/ NTPC/ NPC/ EIL/ DGS&D/ RAILWAYS/ IBR/ LLOYDS ETC	Yes : 2 No : 0	2	
5.	6.3 ISO 9001 ACCREDITATION	Yes : 2 No : 0	2	
6.	6.12 PENDING LEGAL ISSUES ON TECHNO – COMMERCIAL ASPECTS WITH CUSTOMER	Yes : -5 No : 0	0	

**BHEL CERTIFIED ASSESSOR**

# BHARAT HEAVY ELECTRICALS LIMITED SUPPLIER REGISTRATION FORM

FORM NO. SRF(I) 01 (INDIAN SUPPLIER)

ANNEXURE-II

Page 15 of 17

## Part D: SCORE SHEET

### 2. FINANCIAL INFORMATION (for Manufacturers):

S.N.	PARAMETER	CRITERIA	Maximum Marks	Marks Awarded
1.	9.1 Growth of Net Worth over previous year (%) Average of three years to be worked out	More than 20 % : 5 10 – 20 % : 4 5 – 10 % : 3 > 0 & < 5 % : 2 0 or below : 0	5	
2.	9.3 DEBT EQUITY RATIO <u>Long term Debt (9.2)</u> Net worth (9.1)	1 : 1 : 5 1.1 upto 1.5 : 1 : 4 1.6 upto 2.0 : 1 : 3 2.0 & above : 1 : 2	5	
3.	9.5 QUICK RATIO <u>CA - INVENTORIES {9.5(1)-9.5(1)c}</u> Current liability {9.5 (2)}	1 : 1 : 5 1 : 1 upto 1.5 : 4 1 : 1.5 upto 1.75 : 3 1 : 1.75 upto 2.5 : 2 1 : > 2.5 : 0	5	
4.	9.6 Growth in Sales over previous year (%) Average of three years to be worked out	More than 35% : 5 20 -35 % : 4 10 – 20 % : 3 5 – 10 % : 2 > 0 & < 5 % : 1 0 or negative : 0	5	
5.	9.7 PROFIT BEFORE TAX  Growth over previous year (%)	More than 20 % : 5 10 – 20 % : 4 5 – 10 % : 3 > 0 & < 5 % : 2 0 or below : 0	5	
6.	9.8 Whether the supplier has been referred to BIFR / NCLT/ any other similar Govt agency	Yes: -5 No : 0	0	
7.	9.9 Whether the supplier is a potentially sick company	Yes: -3 No : 0	0	
<b>TOTAL</b>			<b>25</b>	

Note: If the supplier is new in business and does not have past data, then the evaluation will be done on the basis of information provided by him and will be decided by MISCC.

### 2. FINANCIAL INFORMATION (for Indian Stockist/ Trader/ Distributor/ Dealer/ Authorised Agent/ Channel partner/ Indian Sales office or Subsidiary of registered foreign principal):

S.N.	PARAMETER	CRITERIA	Maximum Marks	Marks Awarded
1.	9.6 Growth in Sales over previous year (%) Average of three years to be worked out	More than 35% : 5 20 -35 % : 4 5 - 20 % : 3 >0 - 5 % : 2 0 or negative : 0	5	
2.	9.7 PROFIT BEFORE TAX  Growth over previous year (%)	More than 20 % : 5 5 – 20 % : 4 >0 – 5 % : 3 0 or below : 0	5	

BHEL CERTIFIED ASSESSOR

# BHARAT HEAVY ELECTRICALS LIMITED SUPPLIER REGISTRATION FORM

FORM NO. SRF(I) 01 (INDIAN SUPPLIER)

ANNEXURE-II

Page 16 of 17

## Part D : SCORE SHEET

### 3. QUALITY SYSTEM :

S.N.	PARAMETER	CRITERIA	Maxm. Marks	Marks Awarded
1.	Incoming Material control System	System availability : Yes: 1 No : 0	1	
		Availability of Organisation chart Yes: 1 No : 0	1	
2.	Process control	Work instruction available: Yes: 1 No : 0	1	
		Record of process Control : Available : 2 Partial record : 1 Not available: 0	2	
3.	Manufacturing / Testing Procedure Qualification	Procedure Qualification Specification : Adequate : 3 In adequate: 1 Not available : 0	3	
4.	Personnel qualification	Record of PQR: Adequate : 3 In adequate: 1 Not available : 0	3	
5.	Calibration system	Adequate : 3 In adequate: 1 Not available : 0	3	
6.	System of Identification & Traceability of materials, tools, jigs, fixtures & processed components, etc.	Procedure available : Adequate : 2 In adequate: 1 Not available : 0	2	
7.	System of Storage/ preservation/ painting & packing	Procedure available : Adequate : 2 In adequate: 1 Not available : 0	2	
8.	System of NCR disposition & corrective preventive action	Two copies of NCR & CAPA Available :2 Not available : 0	2	
9.	Customer complaints handling system	System available : Yes: 1 No : 0	1	
		Complaints registered & resolved : 2 Complaints registered & partially resolved : 1 Complaints not registered or not resolved : 0	2	
10.	Safety measures	System available : Yes: 1 No : 0	1	
		Record available : Yes: 1 No : 0	1	
<b>TOTAL</b>			<b>25</b>	

BHEL CERTIFIED ASSESSOR

# BHARAT HEAVY ELECTRICALS LIMITED SUPPLIER REGISTRATION FORM

FORM NO. SRF(I) 01 (INDIAN SUPPLIER)

ANNEXURE-II  
Page 17 of 17 amdt.-04

## Part D : SCORE SHEET

### 4. TECHNICAL COMPETENCE

	Maximum Marks (1)	Marks obtained (2)
<b>A. Common Technical Competence</b>		

And/ or

#### B. Product Specific Technical Competence

Column no. 1 to 4 to be filled by MISCC before sending to supplier. Column no. 5 to be filled by BHEL certified Assessor after evaluation of supplier response.

Sl. No (1)	Parameter (2)	Scoring criteria (3)	Maximum Marks (4)	Marks obtained (5)
	<b>Sub-Total</b>		<b>15</b>	

TOTAL (A+B): 25 (     )

#### SUMMARY:

Sl. No	Criteria	Maxm Marks	Qualifying marks *	Marks obtained	Recommendation for registration
1.	Organisational Soundness	50	30		<b>Recommended :</b>  Permanent code /Development code/ Trial code <b>Not recommended</b>
	Financial Information				
2.	Quality System	25	15		
3.	Technical Competence	25	15		
	TOTAL	100	60		

**\*Minimum Qualifying Score in Each category shall be 60%.**

#### REGISTRATION CRITERIA:

Sl. No	Score	Recommendation
1.	More than 90	Supplier is to be registered and given Permanent code, Normally no visit is called for.
2.	>75 <=90	Supplier may be visited if recommended by MISCC or to be registered and given permanent code.
3.	>=60 <=75	Supplier may carry out suggested improvements if advised by MISCC Supplier's visit is mandatory. Trial/ Development code may be given.
4.	Less than 60	Not to be registered

**Note:** Indian Stockist/ Trader/ Distributor/ Dealer/ Authorised Agent/ Channel partner/ Indian Sales office or Subsidiary of registered foreign principal are to be awarded marks on pro-rata basis and registered accordingly.

Signatures: MISCC and Suppler Evaluation Team (in case of visit)

1)	2)	3)
4)	5)	6)

BHEL CERTIFIED ASSESSOR
-------------------------

**Annexure – B For Supply of “POP RIVET”  
STANDARD COMMERCIAL TERMS & CONDITIONS**

**[FORMAT TO BE FILLED-UP BY THE SUPPLIER AND TO BE SUBMITTED ALONGWITH OFFER]**

SI No	DESCRIPTION	BHEL'S REQUIREMENT	SUPPLIER'S CONFIRMATION
01	PRICE	Firm till completion of order. (offer with Price Variation Clause is not acceptable )	
02	DELIVERY TERMS	F.O.R. DESTINATION <b>(Destination : BHEL Ranipet Stores)</b>	
03	PACKING & FORWARDING	To be included. (if extra indicate in %)	
04	FREIGHT & INSURANCE	Included	
05	EXCISE DUTY in %	To be indicated by supplier. (CENVAT copy to be provided along with supply)	
06	SALES TAX in %	To be indicated by supplier.(Concessional form C / XVII will be given)	
07	OCTROI	If any, to supplier's account only.	No Deviation
08	PAYMENT	A) IN CASE OF NON-MSE VENDORS, 100% PAYMENT WITHIN 90 DAYS OF RECEIPT AND ACCEPTANCE OF MATERIALS AT OUR STORES B) IN CASE OF MSE VENDORS(Vendors submitting notarized MSE certificate and CA certificate as per proforma enclosed), 100% PAYMENT WITHIN 45 DAYS OF RECEIPT AND ACCEPTANCE OF MATERIALS AT OUR STORES .	No Deviation
09	DELIVERY PERIOD	As per Enquiry	
10		LD Confirmation: [penalty for delayed delivery] @ 0.5% per week subject to a maximum of 10 % for the delayed delivery.	
11	OFFER VALIDITY	Minumum 90 days from the date of price bid opening/Reverse Auction	
12	INSPECTION BEFORE DESPATCH	Will be done at vendor's Works before Dispatch by BHEL / BHEL's Authorized Inspection Agency AIA / BHEL's customer	
13	TEST CERTIFICATE	Required	
14		<b>Risk Purchase clause :</b> Your confirmation to our standard risk purchase clause that alternatively the Purchaser at his option will be entitled to terminate the contract and to purchase elsewhere at the risk and cost of the seller either the whole of the goods or any part which the supplier has failed to deliver or dispatch within the time stipulated as aforesaid or if the same were not available, the best and the nearest available substitute therefor. The supplier shall be liable for any loss which the purchaser may sustain by reason of such risk purchases in addition to penalty at the rate mentioned in clause 10 above.	
15		<b>BHEL Standard Guarantee Clause:</b> Your confirmation to our standard Guarantee clause that the materials are to be guaranteed for satisfactory performance for a period of twelve months from the date of commissioning / putting into use (or) eighteen months from the dispatch which ever is earlier and if any defect is noticed during the above period, the same shall be rectified/replaced free of cost on Ranipet/ Destination basis within a reasonable time. To this effect a Guarantee certificate should be sent along with the dispatch documents in the event an order	
16		<b>Place of Manufacturing:</b> Mention the palce of manufacturing	
17		<b>Vendor status like Micro / Small / Medium</b> To be indicated by vendor [latest copy of notarized MSE certificate along with the CA certificate as per BHEL proforma shall be enclosed ]	

*NOTE : The above format shall completely be filled and deviation if any shall be clearly spelt out. The columns which are not applicable shall be mentioned as "Not Applicable". No column should be left blank. If any column is unfilled, it will be taken as you are agreeing to BHEL's Requirement. Offer will be evaluated on the basis of Total landed cost to BHEL at the Final destination.*

**The above Commercial Terms and Conditions are confirmed by us for this tender. In case there is a difference between the conditions confirmed above and the main offer, we certify that the Commercial Terms and Conditions given here is applicable. Such Commercial Terms and Conditions in the main offer may be considered null and void by the Purchaser and this is accepted by us.**

Date :

SIGNATURE WITH SEAL

**Annexure – B For Supply of “POP RIVET”**  
**REQUIREMENT OF TECHNICAL DETAILS / CONFIRMATION**  
**(To be filled in full and to be submitted along with offer)**

<b>S.NO</b>	<b>DESCRIPTION</b>	<b>BHEL'S REQUIREMENT</b>	<b>SUPPLIER'S COMMENTS</b>
01	SPECIFICATION DRAWING 4-79-020-00444/02	Clause wise / Point wise confirmation to be given in TOTO for all specifications & to be submitted along with offer. (i.e Xerox copy of specn duly filled with your acceptance / comments duly signed & sealed).	
02	DATA SHEET / DRGS	Filled Data Sheet and your Drgs are to be submitted along with offer.( if applicable ).	
03	QUALITY PLAN	To confirm applicable QP will be followed. (or) Your quality plan to be submitted for our review & approval along with offer.	
04	SPECIFICATION DEVIATION DISPOSITION REPORT (SDDR)	Attached SDDR to be filled & submit along with offer. (Even NO deviation is taken, NIL report to be submitted).	

<b>SPECIFICATION DEVIATION DISPOSITION REPORT</b>			
Specn		Item	
Enq.No &Date			
Vendor Name			
SPECN			
Page	Clause	Details Of Deviation With Reason	Disposition By Bhel
Signature Of Vendor		Reviewed By	
" AGREED DEVIATION "		APPROVED BY	
if any to be incorporated in the PO in the event of order.			

**Date**

**VENDOR'S SIGNATURE WITH SEAL**

**IN THE LETTER HEAD OF THE C.A. FIRM**

**TO WHOM SO EVER IT MAY CONCERN**

This is to certify that M/s .....having its registered office at .....is registered under MSMED Act 2006 and categorized under .....unit vide their Registration Number.....(copy enclosed)

Further certified that the investment of company in Plant & Machinery as on 31<sup>st</sup> March ..... is Rs.....Lacs i.e. below Rs.25 Lacs / 5 Crores as permissible for Micro / Small unit respectively under MSMED ACT 2006. Hence the company is under category of Micro/Small(strike off whichever is not applicable) unit for the financial year .....

It is further certified that cumulative investment in Plant & Machinery during ..... ( 01/04/..... - till date ) is below the permissible limit of Rs.25 lacs / 5 Crores for Micro / Small unit respectively and Company is under the category of .....unit as on date i.e. 31/03/.....

The Directors of the company have been instructed to intimate their clients in case of change of investments in Plant & Machinery, if any, in future with proper supporting documents.

This Certificate is **VALID FOR ONE YEAR ONLY** from the date of issue subject to the above referred instruction with reference to **"Change of Investments"**

for .....  
Chartered Accountants

Name:  
Membership Number:  
Full address  
Place:  
Date:

Payment Mechanism at BHEL, Ranipet

(Effective for all tenders issued by BHEL Ranipet from 01 July 2011 onwards unless otherwise notified of change/s in writing given by an authorized official of BHEL, Ranipet) BHEL, Ranipet's payment mechanism will be as follows: (All Bidders are requested to read this carefully and take note of it before submitting their offer) All bills of Suppliers processed for payment by BHEL, Ranipet shall pass through the following mile stones:

(1) Receipt of materials at BHEL, Ranipet Stores (evidenced by the Day-Book Number and Date generated at BHEL Stores, Ranipet) or Receipt of materials at Project Site / Destination specified in the Purchase Order (as evidenced by the acknowledgement given by the Consignee).

(2) Acceptance of the supplied materials at BHEL Stores, Ranipet. (Proof of evidence: Stores Receipt voucher - Short form "SRV", raised by BHEL Stores, Ranipet referenced by the SRV Number and Date)

(3) Receipt and Registration of the Bills / Invoices of the Supplier at BHEL, Ranipet Accounts Department. (evidenced by the ABS Number and Date)

(4) Receipt of clarifications, if any that may be required by BHEL, Ranipet Accounts or Purchase Department, from the Supplier. (As evidenced by the IOM Inward Date)

(5) Bill processing and passing.

(6) Payment release.

All these events are transparently available in the SCM web-site of BHEL, Ranipet, {<http://bapscm.bhelrpt.co.in/purc>} which can be viewed by all registered supplier with a password.

Allowed Time frames:

A] From DB to SRV: 10 Days

B] From SRV to ABS: 15 Days

C] From ABS to Bill Pass: 07 Days (if Stage 4 above is not applicable)

OR

From IOM to Bill Pass: 07 Days (if Stage 4 above is applicable)

D] From Bill Pass to Payment Release: As per payment terms of the Purchase order.

All Suppliers payment/s would be released based on seniority of receipt of the processed bills at the payment section of BHEL, Ranipet Accounts Department.

The seniority would be based on the sequence of milestone events listed above.

In the sequence of the bill processing the preceding mile-stone seniority will be void, if the subsequent event occurs beyond the permitted time frame between two successive events.

Thus for example:

Start seniority would be with the DB date.

If the SRV date is greater than 10 days of the DB date, then the seniority of the DB date would be replaced by the SRV date.

If the ABS date is greater than 15 days of the SRV date, then the seniority would be reckoned by the ABS date.

If the Bill pass date is greater than 07 days of the ABS date then the seniority would be the date of inward receipt of the IOM.

The logics of these sequence is that SRV, ABS, IOM inward entry are dependent entirely on submission of correct documentation by Suppliers, as called for in the Purchase Order. If the documents are correctly submitted each of the milestone listed above will occur within BHEL, Ranipet within the timelines specified above.

Hence, in their own interest all Suppliers are requested to take note of this process and comply with the same.

Caution: Suppliers' payments would get delayed / affected if they fail to adhere to the submission of the documents specified in the Purchase Order / Contract, since the listed milestone events occurrence are contingent upon the availability of the requisite documents.

## MSME STATUS (APPLICABLE ONLY FOR INDIAN SOURCES)

-----  
As per the Public Procurement Policy notified by the Central Government, Micro and Small Enterprises quoting within the price band of L1+15% shall be allowed to supply the requirement up to 20% of the tender value subject to condition that such Enterprises bring down their price to L1 price where L1 price is from other than a Micro and Small Enterprise. If L1 offer is from a Micro / Small Enterprise, this provision will not be applicable. In case more than one Micro and Small Enterprise is there within this span, the supply shall be shared proportionate to the tender quantity. (70:30 or 50:30:20 of the eligible quantity).

Note: Special provision for Micro and small enterprises owned by SC or ST: -

Sub target of 20% (i.e. 4% out of 20%) would be earmarked for procurement from Micro and Small Enterprises owned by the Scheduled Caste or Scheduled Tribe Entrepreneurs provided that in event of failure of such Micro and Small Enterprises to participate in the tender process or meet the tender requirements and the L1 price, the 4% sub-target for procurement ear-marked MSE owned by Scheduled Caste or Scheduled Tribe Entrepreneurs shall be met from other MSE Enterprises/s. Such of those Suppliers who are already registered with BHEL, Ranipet as an MSE and whose knowledge of BHEL, Ranipet that the change in the status has not been intimated by the Bidder and the order is obtained under the premise of an MSE then BHEL would cancel the pending order against this tender and take necessary steps for suspension of the business dealing with the Bidder as per the procurement policy of BHEL. In case after the bid opening it is seen that no MSE has become L1, then depending on the nature of the item, if it is not possible to split the tendered items / quantities on account of reasons like customer contract requirements of supplying one make for a given project or technical reasons like the tendered item being a system etc. then BHEL would not counter offer the L1 prices even though there may be MSE bidders within the +15% band of L1

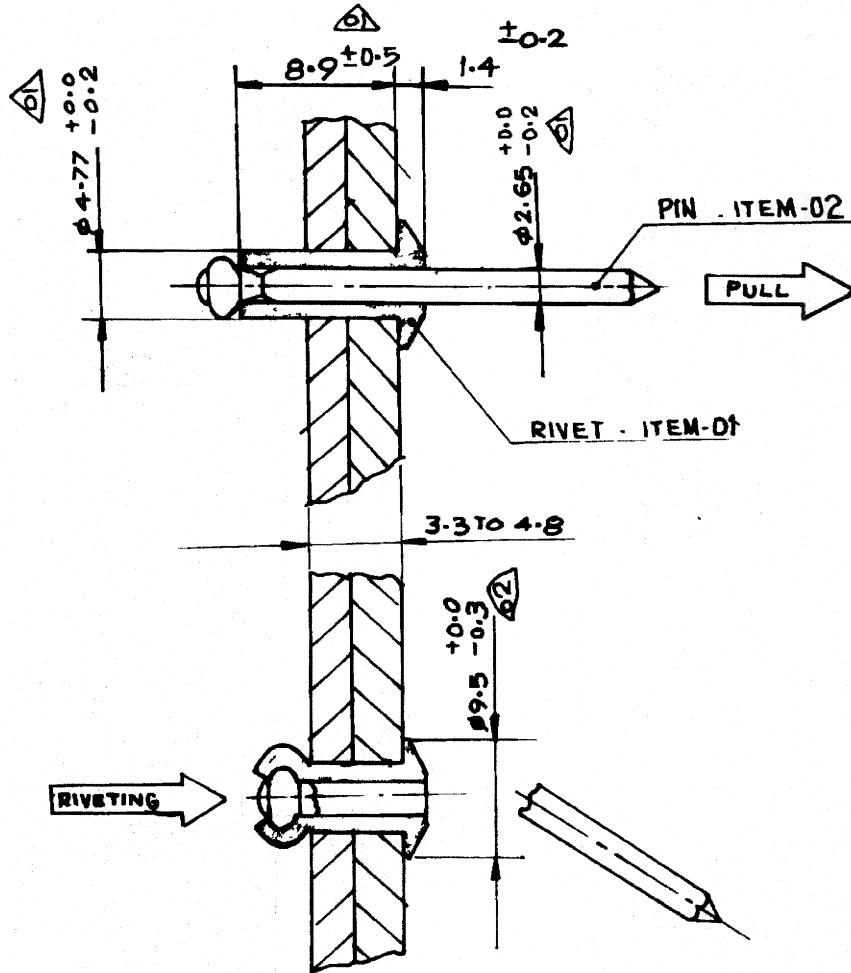
FIRST ANGLE PROJECTION (ALL DIMENSIONS IN MILLIMETRES)

REV 01	DATE 30-11-90	ALTERED <i>[Signature]</i>	REV 02	DATE 20-3-91	ALTERED <i>K.S. Sairam</i>
		CHECKED <i>[Signature]</i>			CHECKED <i>[Signature]</i>

TOLERANCE LIMITS ADDED IN RIVET  $\phi 9.5$  & TOLERANCE  $\pm 0.3$  WAS CHANGED TO  $+0.02$   $-0.3$ .

CAUTION THE INFORMATION ON THIS DOCUMENT IS THE PROPERTY OF BHARAT HEAVY ELECTRICALS LTD. IT MUST NOT BE USED DIRECTLY OR INDIRECTLY IN ANY WAY DETRIMENTAL TO THE INTEREST OF THE COMPANY

REF: PROQ: 590 FOR PAINTING  
REF: PROQ: 500 FOR UNTOL. DIMNS



NOTE:- FINISH TO BE PASSIVATED AFTER GALVANISING (FOR PIN ONLY)

02	PIN				0.002
			CARBON STEEL		1
01	RIVET				.002
			ALUMINIUM ALLOY		1
ITEM NO	DESCRIPTION	QTY	MATL CODE	A/C	UNIT WT
			MATL SPEC		QTY



**Bharat Heavy Electricals Ltd.**  
BOILER AUXILIARIES PLANT  
RANIPET 632 406.

DRN	NAME	DATE
CHD		
APPD		
	K.S. SAIRAM	27-07-89
	M.K.L	
	M.K.L	28/89

DEPT AQCS CODE 862	GRADE OF UNTOL DIN P/M/F		SCALE N.T.S.	WEIGHT (kg) 0.004	REF TO ASSY / OLD DRG	ITEM NO
TITLE <b>POP RIVET</b> ( $\phi 4.8 \times 8.9$ -L)			CARD CODE U 01	DRAWING NO <b>4-79-020-00444</b>		REV 02