



**BHARATH HEAVY
ELECTRICAL LIMITED
RAMACHANDRAPURAM
HYDRABAD-502032
ANDHRA PRADESH, INDIA**

Phones: 3021902,3307353
Telex : 425-6212,6248,6777,6778,
0422-240
Fax : 009-040-0321910,3021954,3020195

ENQUIRY**PURCHASE
DEPARTMENT**

SUPPLIER CODE:	Enquiry No.	Enq. Date	No. of Items	DUE DATE OF QUOTATION
Name&Address	B508IT8A1835SR1	29-DEC-08	001	24-JAN-09

Enq. Sl.No	Indent (MPR) No.	Material Code	Drawing No. Description & Specification	Unit Code	Unit	Quantity	Delivery Schedule	
							Date	Quantity
001	IT8P1834 001 IT8P1835 001	TC9517551193	ROTOR FORGING SPEC : HY19375 REV:02 AMND:00 VAR:00 DRG : 33030120150 VAR:00 REV:00	01	NOS	2.000	31-OCT-09	2.000

Remarks: 1) Vendor shall submit the filled format of ANNEXURE-I (Check list of Techno-Commercial terms) along with their technical bid. 2) All necessary documents of this enquiry has sent by E-mail on dated : 29/12/2008.	TEST CERTIFICATE REQ: YES GUARANTEE RAQ: YES SAMPLE REQ: NO	For and on-behalf of Bharat Heavy Electricals Limited SAMBASIVARAMI REDDY G DY MANAGER / PURCHASE TC & GT
--	---	--

ANNEXURE - I

TWO PART BID SYSTEM

ENQUIRY NO : B508IT8A1835SR1, Dtd:29/12/2008. DUE DATE: 24/01/2009.

This is a mandatory document to be filled and attached to your technical bid for evaluation
(Otherwise your bid will be disqualified)

CHECKLIST OF GENERAL TERMS & CONDITIONS OF ENQUIRY

Sl. No.	Terms & Conditions	Supplier confirmation	Deviations / Remarks
1.	<p>Two Part Bid shall consist of:</p> <ul style="list-style-type: none">• Techno commercial Bid, with all technical specification & scope and all applicable Commercial Terms and Conditions including applicable duties/taxes/other charges, except the price, AND• Price Bid, containing ONLY the price and duties/taxes/other charges applicable and should not contain any technical and commercial terms and conditions. <p>a) Technical bid and price bid should be submitted in separate sealed covers – putting them in third cover.</p> <p>b) The details like Tender No, Due Date, Technical Bid or Price Bid, as the case may be, shall be clearly super-scribed on each cover. The third cover containing both technical and price bid covers should be super-scribed with Tender No, Due date and Supplier name.</p> <p>c) Techno-commercial Bid will be opened first and after freezing technical and commercial conditions only, the Price Bid will be opened.</p> <p>d) The date for the Price Bid opening shall be intimated to all the Techno-commercially qualified bidders before the Price Bid is opened.</p> <p>e) The bidder (s) will also be informed, if their Techno-commercial bid is not acceptable</p>		
2.	<p>Revised offers:</p> <p>a) The bidders will be allowed to submit the impact due to changes in technical scope /commercial terms.</p> <p>b) Revised offers will not be accepted unless asked for/ or any changes in specification/drawings.</p>		
3.	<p>Offer validity should be 90 days minimum from date of Technical bid opening.</p>		
4.	<p>Quoted PRICES (after placement of P.O) shall be FIRM and valid till complete execution of the Order without any escalation/increase for any reason whatsoever.</p>		
5.	<p>Payment Terms:</p> <ul style="list-style-type: none">• For Indian vendors: 100% payment within 90 days (45 days incase of SSI Units) from the date of dispatch of materials.• For Foreign vendors: 100% payment against irrevocable LC (LC will be opened 30 days prior to dispatch schedule).		
6.	<p>Packing :- Packing & forwarded charges if any shall be included in your quoted price.</p>		
7.	<p>Terms of Delivery: The items are to be quoted on Ex-WORKS / FOR – BHEL STORES for Indian vendors and FOB – Nearest Port for Foreign vendors.</p>		

	<p>Delivery Period: _____ weeks/months from the date of LOI/PO Delivery shall be strictly quoted w.r.t. the date of LOI/PO only and not linking to any other aspects like approval of drawing/data sheets/QP etc.</p> <p>Please note that delivery is the essence of the tender. Offers of best delivery schedules will be preferred.</p>		
8.	<p>Third Party Inspection: (Mandatory)</p> <ol style="list-style-type: none"> 1. The vendor shall submit the test procedure and quality plan for approval immediately on placement of order. These items shall be inspected by M/s LLOYDS (Inspection agency). 2. Inspection charges shall be inclusive in your offer. 		
9.	<p>Guarantee: Materials should be guaranteed for a period of 18 months from date of supply or 12 months from the date of assembly, whichever is later.</p>		
10.	<p>Penalty:</p> <ol style="list-style-type: none"> a) Penalty (Not Liquidated Damages) will be levied @ 0.5% per week of delayed supply (w.r.t Delivery clause) not exceeding 10% of Total Order value b) No grace period allowed for calculating penalty period. c) Delivery for penalty purpose is w.r.t LR date/ Excise invoice date/ Third party inspection clearance certificate date. 		
11.	<ol style="list-style-type: none"> a) Price Bids Shall be evaluated on landed cost basis i.e., TOTAL COST TO BHEL (after considering CENVAT or VAT benefit, if any) and w.r.t the finalised Technical Scope and Commercial conditions only. b) In case BHEL decides to load the vendor/vendors on any deviations on Commercial condition(s) whatsoever, it shall in advance intimate such criteria for loading to the concerned vendors before price bid opening c) In case of Multiple items, BHEL has the right to evaluate and arrive at the lowest bidder on Individual item / Total basis at its discretion, and in the interests of BHEL. 		
12..	<p>If you are new supplier, please indicate the source of Raw material in your technical bid.</p>		
13.	<p>BHEL reserves the right to increase / decrease the quantity indicated in the enquiry.</p>		
14.	<p>Supply should strictly confirm to BHEL drawings / specifications. All tests should be carried out as per BHEL drawings / specifications. All Test certificates, guarantee certificates and Pre inspection reports (PIR) should be furnished along with dispatch documents.</p>		
15.	<ol style="list-style-type: none"> a) In case of first time supply to BHEL Hyderabad, vendor should comply with the requirements of HY0800099 (first-piece qualification) and HW0850197 (thermal stability test). However, these requirements can be reviewed based on the reference list of the vendor. b) Vertical heat treatment is mandatory. c) Vendor should specifically confirm all clauses of the relevant specifications for every item quoted. d) Reference list along with documentary evidence shall be provided along with techno-commercial bid for evaluation. 		
16.	<p>BHEL may choose for placing repeat order for additional quantity, as and when required, with the acceptance of vendor.</p>		
17.	<p>BHEL reserves all rights for rejecting any or all offers without assigning any reason therefore in the interests of BHEL.</p>		
18.	<p>Vendors shall submit offers within the due date. If, no communication is received from any vendor within the due date, it will be deemed that the vendor can not meet our delivery / technical requirements.</p>		

NOTE TO VENDORS:

- a) For new vendors supplying rotors for the first time to BHEL Hyderabad, the clause 16 of the above should be confirmed specifically.
- b) Vendors to indicate their response to each of the above clauses either by 'YES' or "NO" in the Supplier confirmation column.
- c) Vendors, if taking deviations from the specified conditions, may indicate the same clearly in deviation column and if needed on a separate sheet, with reasons for such deviation and in such a case BHEL reserves the right to reject the offer summarily or load the vendor suitably – solely at its discretion and in its interests.
- d) Commercial Conditions quoted in any place other than this format, including stated in Vendor's General Terms and conditions enclosed, if any, shall be summarily ignored and be invalid for evaluation of the Preferred Bidder.
- e) Who ever desires to send offers on their own risk (complete in all respect) via E-mail have to send the scanned copies of offers duly signed and stamped, to the common E-mail address – tenderbox@bhelhyd.co.in. Offers sent to any other E-mail ID or in-complete offers or offers without signature and stamp of the vendors shall be treated as un-solicit and will not consider for evaluation purpose.
- f) In case of regret, same letter shall be given in open condition (not in sealed cover) or by E-mail to gsrreddy@bhelhyd.co.in.
- g) Vendors to note that the above are specific Terms & conditions only, and in respect of other terms and conditions, BHEL's General Terms & conditions will apply and the same can be obtained upon making a request.

Signature of the supplier with stamp.



**PLANT PURCHASING
SPECIFICATION
HYDERABAD**

HY 19375

Rev. No.02

Page 1 of 6

ALLOY STEEL FORGINGS FOR STEAM TURBINE ROTORS

GR: 28 Cr Mo Ni V 59

1 GENERAL :

This specification governs the technical requirements of steam turbine rotors forged out of steel grade 28 Cr Mo Ni V 59.

2 APPLICATION :

Steam turbine rotors having diameters upto 900 mm.

3 CONDITION OF DELIVERY :

The rotor forgings shall be supplied in heat treated and rough machined condition.

4. COMPLIANCE WITH NATIONAL STANDARD :

There is no national standard covering this grade of material. However, guidance is taken from KWU TLV 9189/02/16 (March 1991).

5. DIMENSIONS AND TOLERANCES :

The rotor forgings shall be supplied to the dimensions shown on the ordering drawing
The tolerance shall be as follows unless otherwise specified in the drawing/order.

Upto 500 mm - + 1 mm

Over 500 mm - + 2 mm

6. MANUFACTURE :

6.1 The steel shall be made from basic electric furnace and shall be subsequently refined by Vacuum Carbon Deoxidation (VCD) or Electro slag Refining (ESR) process.

6.2 Sufficient discard from Top and Bottom shall be made from the ingot to ensure freedom from piping segregation and other injurious defects.

6.3 The forging process adopted shall ensure homogeneity of material throughout the section.

Revisions: Revised as per Mom dtd 30.06.2003 between MES and ST Engg.

Issued :

**STANDARDS
ENGINEERING DEPARTMENT**

Rev. No
.02

Rev. Date:
03-09-03

Revised:
MATLS ENGG.

Prepared:
MATLS ENGG.

Approved:
GM (ENGG)

Date:
DEC ,83



6.4 It is important to maintain the actual centre of the forging as far as possible identical with the centre of the ingot.

6.5 Press straightening if necessary may be performed before heat-treatment.

6.6 CLOCKING SYMBOL :

Before heat – treatment, clocking symbols 3-6-9-12 shall be stamped on the rotor. If the symbols are transferred during manufacture, they shall be restamped in the same clockwise position. The clocking symbols shall be used for reference purposes in recording the position of defects, etc. The clocking symbols shall be encircled with oil paint for easy identification

6.7 After heat-treatment, the forging shall be rough machined to the dimensions and surface finish shown on the ordering drawing.

6.8 Before starting the production ,the manufacturer shall submit Manufacturing and Inspection Sequencing plan (MIP) in accordance to the specification HY 0652099 of BHEL Hyderabad.

7.0 CHEMICAL COMPOSITION :

The chemical composition of the material shall be as follows:

Element		C	Si	Mn	Cr	Mo	Ni	V	P	S	Al (Total)
VCD process	Min.	0.25	-	0.30	1.10	0.80	0.50	0.25	-	-	-
	Max.	0.30	0.10	0.80	1.40	1.00	0.75	0.35	0.007	0.007	0.008
ESR process	Min	0.25		0.30	1.10	0.80	0.50	0.25	-	-	-
	Max	0.30	0.20	0.80	1.40	1.00	0.75	0.35	0.007	0.005	0.010

7.1 Tramp Elements: The tramp elements shall be within following limits.

Cu = 0.12 max.

As = 0.02 max.

Sb = 0.02 max.

Sn = 0.015 max.



**PLANT PURCHASING
SPECIFICATION
HYDERABAD**

HY 19375

Rev. No.02

Page 3 of 6

8.0 HEAT TREATMENT :

8.1 The rotor forging shall be heat treated vertically followed by oil or mist quenching. The heat treatment shall done to obtain tempered upper bainitic structure uniformly through out the cross section .The hardening temperature shall not be more than 950⁰C. and the tempering temperature shall not be below 700⁰C. The tempering shall be done in vertical furnace.

Actual heat treatment cycle followed shall be reported in test certificate

8.2 The minimum amount of residual stresses are to be aimed by controlling the rate of cooling and also duration of tempering treatment. The residual stresses are not allowed to be more than 60N/mm² on any point. The residual stresses are to be measured on the heat treatment contour according to KWU 'Ring Core' method. The locations of residual stress measurement shall be 120⁰ apart from each other on the periphery of the rotor and in a spiral line at three places.

In lieu of KWU –Ring core method, the residual stress measurement may be carried out by 'Blind hole method' as per ASTM E 837 However, all the other conditions such as Location of tests, acceptance criteria etc remains same.

8.3 In case the required properties have not been obtained, reheat – treatment of the forging is to be carried out. The maximum number of reheat – treatments permitted are two. However, retempering is not considering as reheat treatment.

9.0 SELECTION OF TEST SAMPLES :

9.1 The location of the test pieces shall be shown on the ordering drawing. The test samples shall not be removed before heat treatment.

9.2 The test samples are to be clearly identified with identification number. The association with the forging is to be conformed by BHEL inspector/Lloyd's. The balance material shall be delivered along with the forging.

10.0 MECHANICAL PROPERTIES :

The mechanical properties, when tested on the tangential or radial test pieces shall conform to the following at room temperature.

Tensile Strength N/mm ² Max.	0.2% proof stress N/mm ²	% Elongation L = 5d min.	% Reduction in area min.	Impact strength J. min.
850	550 - 700	15	40	24

**PLANT PURCHASING
SPECIFICATION
HYDERABAD**



10.2 Axial core testing: If specified on the ordering drawing, the axial core shall be taken out by trepanning and the following properties shall be obtained on the samples taken in radial (Q) direction.

0.2% Proof Stress	: 530 N/mm ² Min.
Impact Strength (ISO-V notch)	: 55 J Min. at +80 ⁰ C : (average of 3 samples)
FATT	: ≤ +80 ⁰ C.
T: Tangential Test Piece	: Q: Radial test piece.

Note : a) Tensile test shall be carried out as per IS:1608 or any other national standard.

b) Impact test shall be carried out as per IS:1757 ISO-V notch or any national standard. The minimum impact strength value specified above is the average of three samples At the same location. Only one value is permitted below the specified min. value, but In no case shall be lower than the 2/3rds of the same. All values shall be reported in test certificate.

11.0 NON-DESTRUCTIVE TEST

11.1 UT-INSTRUMENT TEST

Ultrasonic test and evaluation shall be carried out as per siemens PA standard 14/24. 51

11.2 Magnetic particle test:

Magnetic particle test and evaluation shall be carried out as per siemens standard PA 14/24. 51

12 METALLOGRAPHIC TEST :

Metallographic test shall be conducted on samples taken from broken tensile test pieces. The photo micrographs at 500x shall show tempered upper bainitic structure and the photomicrograph (original) shall be submitted to BHEL along with test certificates.

13 THERMAL STABILITY TEST :

If mentioned in the drawing or purchase order, Thermal Stability test shall be carried out at 30⁰ C below the tempering temperature according to BHEL, Hardwar Standard HW 085 01 97. A and D type swings will not be considered when they are explainable due to surface effect. In case of occurrence of B type swing the test shall be conducted till no more stresses are left to be released. C type swing greater than or equal to 0.05 mm shall not be allowed. BHEL Hyderabad reserves right to participate for verification.



**PLANT PURCHASING
SPECIFICATION
HYDRABAD**

HY 19375

Rev. No.02

PAGE 5 of 6

14 FIRST PIECE QUALIFICATION TESTS:

When ever the supplies are made for the first time to BHEL the requirements of BHEL specification HY0800099 shall also be applicable in addition to this specification.

15 INSPECTION AT SUPPLIER'S WORKS :

BHEL representative shall have all reasonable facilities offered to him, at any time, by the supplier to satisfy himself that the material is being furnished in accordance with this specification. The representative shall have free access at all times while the work on the contract is being performed, to all parts of the manufacturers works.

16.0 TEST CERTIFICATE :

16.1 Five copies of test certificates giving the following details shall be furnish

- a) HY19375 Rev.No.02
- b) BHEL order No.
- c) Item description and Drawing No. of the forging.
- d) Supplier's Name.
- e) Melt No. and Forge No
- f) Results of chemical analysis alongwith trace elements
- g) Results of Mechanical Tests & FATT.
- h) Results of residual stresses.
- i) Report of ultrasonic testing giving details of probe type and size, frequency, sensitivity, sketch showing the areas covered etc.
- j) Report of Metallographic test along with microphotographs(original).
- k) Ingot dimensions, forging sequence and details of heat treatment cycles followed.
- l) Results of thermal stability test, if called for in the drawing/purchase order.
- m) Report of magnetic particle inspection.



**PLANT PURCHASING
SPECIFICATION
HYDRABAD**

HY 19375

Rev. No.02

PAGE 6 of 6

16.2 The certificate shall be attested by chief of inspection/chief metallurgist of the supplier and BHEL representative.

17 **MARKING :**

The following details shall be punched clearly on one end of the forging

- a) HY 19375
- b) Forging No. and Melt No.
- c) Drawing No.
- d) Manufacturer's Stamp.
- e) BHEL Inspector's Stamp
- f) Clocking symbols.
- g) Top and Bottom sides of ingot.

18 **PACKING AND TRANSPORTATION :**

Rotor forgings shall be properly protected from corrosion and damage during transit, journal portions shall be protected with anit-corrosive compound.

19 **REJECTION AND REPLACEMENT :**

In the event of any forging proving defective in machining, testing, erection and operation such forging shall be rejected not withstanding any previous acceptance. The supplier shall replace the rejected forgings at his own cost.



**PLANT STANDARD
HYDERABAD**

HY0230261

REV. NO. 03

PAGE 1 OF 2

LIST OF APPLICABLE STANDARDS ON LIMITS, FITS AND TOLERANCES

1.0 SCOPE:

The standard covers the list of applicable standards on Limits, Fits and Tolerances. These standards are applicable unless or otherwise specified.

2.0 LIST OF APPLICABLE STANDARDS:

SL. NO.	STANDARD NO.	TITLE
1.	AA0230201	Limits and Fits (Tolerance grade, Position and Class).
2.	AA0230202	Limits and sizes for commercial bolts and nuts.
3.	AA0230204	Guide for selection of Fits.
4.	AA0230206	Standard limits for Shafts (upto 500 mm).
5.	AA0230207	Standard limits for Shafts (above 500 mm and upto 3150 mm).
6.	AA0230208	Allowable deviations for dimensions without specified tolerances (linear and angular).
7.	AA0230402	Permissible deviations for untoleranced dimensions of castings.
8.	AA0230403	Tolerancing system ISO Metric Screw Threads
9.	AA0621101	Tolerances and Machining allowances for Flame cutting.
10.	AA0621104	General tolerances for welding constructions for length and angles.
11.	AA0621105	General tolerances for welded structures – form and position.

Revisions:

Issued :

Withdrawn standards deleted (2 Nos.).

STANDARDS ENGINEERING DEPARTMENT

Rev. No. 03

Amd. No.

Reaffirmed:

**Prepared:
MANAGER
(STDS. ENGG.)**

Approved:

AGM (E&CC)

Date of 1st issue:

Dt. OCT. 06

Dt.

Year:

MAY, 1992

HY0230261

REV. NO. 03

PAGE 2 OF 2

**PLANT STANDARD
HYDERABAD**



NOTE:

1) AA 023 02 08

Medium class of deviation is applicable, if the same is not mentioned on the drgs./specs.

2) AA 023 04 02

Tolerance class 5 is applicable, if the same is not mentioned on the drgs./specs.

3) AA 062 11 04

Accuracy class A is applicable if the same is not mentioned on the drgs.

4) AA 062 11 05

Accuracy class E is applicable, if the same is not applicable on drgs.

Copyright and Confidential

The information on this document is the property of BHARAT HEAVY ELECTRICALS LIMITED.
It must not be used directly or indirectly in any way detrimental to the interest of the company.



PLANT STANDARD
HEEP-HARDWAR

HW 0850197

PAGE 1 OF 6

SIGN & DATE

SUPERSEDES INVENTORY No.

BASED ON TWF.M.151, 6/96

COPYRIGHT AND CONFIDENTIAL

The information on this document is the property of Bharat Heavy Electricals Limited. It must not be used directly or indirectly in any way detrimental to the interest of the company.

HEAT-STABILITY TEST

1.0 SCOPE:

This specification is valid for heat stability test for H.P and I.P rotor shaft forging of steam turbine.

2.0 REFERENCE DOCUMENTS:

Assistance has been taken from SEP 1950, 5/87.

3.0 REASON FOR TESTING :

The heat stability test gives information of proper heat-treatment in respect of

- unsymmetrically distributed residual stresses remaining after the tempering operation, which may get relaxed during the service time and thus may cause bending of rotor (B type deflection).
- A rotationally symmetrical microstructure (C-Type deflection)

4.0 SHAFTS TO BE TESTED :

The heat stability test is carried out on shafts only, which have a service temperature of > 450°C. The rotors which have to work at temperature much lower than 150 °C from tempering temperature, insignificant stresses will be released & hence no stability test is required. In addition to these for low service temperature, the shafts are of material having excellent hardenability.

A heat stability test will be carried out in case of

- prototypes
- new suppliers
- special service conditions or service stresses(decision by design/calculation department)

SUPERCEDES THE REV. SHEET UNDER THE SAME NO. 301 CHANGE ADVISED TO TSK-MTE-98-452 NAME ALS - SIGN [Signature] - DATE 28.1.99

SIGN & DATE

21/1/99

INVENTORY No.

P-22

TSX	R. BHATIA	R.Bhatia/29-1-99	DRAWN	NAME	SIGN & DATE
QAX	TSK with	[Signature]	WORKED	A.K.SARKAR	[Signature] 12.1.99
STE	A.S.	[Signature]	CHECKED	J.P.MEENA	[Signature] 12.1.99
AGREED DEPT	NAME	SIGN & DATE	SUPERVISED	V.B.ARORA	[Signature] 12.1.99
REVISION :			APPROVED: PLANT STANDARDIZATION COMMITTEE		
			PREPARED: MTE	ISSUED: STANDARDS DIVISION	DATE: 29.1.99

6.48



PLANT STANDARD
HEEP-HARDWAR

HW 0850197

PAGE 2 OF 6

SIGN & DATE

SUPERSEDES INVENTORY No.

COPYRIGHT AND CONFIDENTIAL
The information on this document is the property of Bharat Heavy Electricals Limited. It must not be used directly or indirectly in any way detrimental to the interest of the company.

SIGN & DATE

INVENTORY No.

21/2/99

P-22

5.0 TYPES OF DEFLECTION:

The possible types of deflection which can appear during the heat stability test are represented in Annexure : 01 (REFER SEP-1950)
5/87

6.0 PERFORMANCE OF TEST :

The heat stability test is carried out in the rotational symmetrically machined condition after the completed heat-treatment operation as per the cycle given in Annexure:02.

6.1 Rate of heating up and Temperature Cycle:

About 50°C / hr

6.2 Testing Temperature:

Tempering temperature minus 30°C.

In special cases other temperatures can be agreed upon.

The testing temperature should lie above the service temperature as high as possible to assure that during the later turbine operation possibility of rotor deflection is avoided. The cycle (Ref. Ann:02) marked as firm/dark line is mandatory i.e. one dip of about 150 °C is essential as shown in sketch.

6.3 Cooling Rate:

To avoid new stresses during cooling from testing temperature to room temperature a cooling rate of about 15°C/h till approximately 200°C is to be applied; than a quicker cooling rate can be used.

©

SUPERCEDES THE OLD DTS SHEET UNDER THE SAME N - 301
CHANGE ADV. NO. JSK-MTE-98-452
NAME AKS - SIGN [Signature] - DATE 23-1-99

REVISION :

WORKED BY	AKSARKAR	[Signature]	12-1-99
CHECKED BY	JPMEENA	[Signature]	12-1-99



PLANT STANDARD
HEEP-HARDWAR

HW 0850197

PAGE 3 OF 6

SIGN & DATE

SUPERSEDES INVENTORY No.

COPYRIGHT AND CONFIDENTIAL

The information on this document is the property of Bharat Heavy Electricals Limited. It must not be used directly or indirectly in any way detrimental to the interest of the company.

SIGN & DATE

INVENTORY No.

P-22

2/2/99

REVISION :

WORKED BY	AUSARKAR	<i>[Signature]</i>	12-1-99
CHECKED BY	JP MEENA	<i>[Signature]</i>	12-1-99

6.4 Location of Deflection:

On the coupling a clockwise numbering is to be provided in direction of power run which makes possible the fixing of an appeared deflection on the circumference.

6.5 Readings:

Temperature, deflection and location of deflection are to be checked each hour and documented.

7.0 ACCEPTANCE CRITERIA :

A and D type deflections are caused by radiation and have no influence on the later turbine operation; here exists convection only. These are acceptable.

In case of detection of B - type deflections the cycling of testing temperature shall be continued till the rotor becomes stable, i.e. after the temperature dip of about 150 °C the deflection of the shaft shall lie approximately at the same level in each case at the end of the holding times at testing temperature. After reaching heat stability the shaft is acceptable, independent of the value of the B-type deflection.

C-type deflections ≥ 0.05 mm are not acceptable.

Ⓒ SUPERCEDES THE OLD DRG SHEET UNDER THE SAME NO. B.3.4
CHANGE ADV. CE NO. TSX-MTE-98-452
NAME AKB SICH *[Signature]* DATE 12-1-99



PLANT STANDARD

HEEP—HARDWAR

HW 0850197

PAGE 4 OF 6

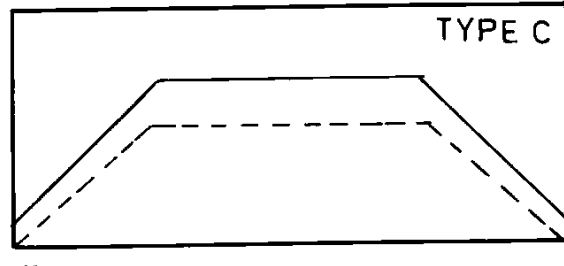
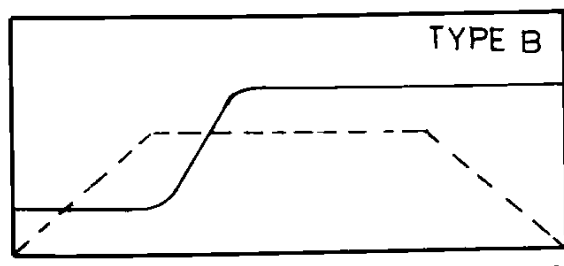
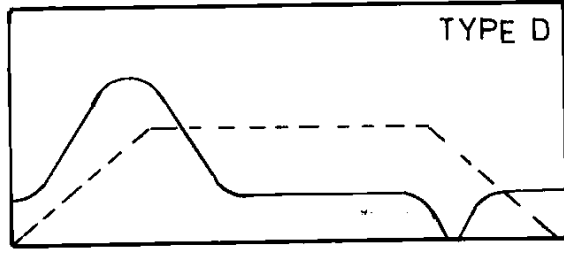
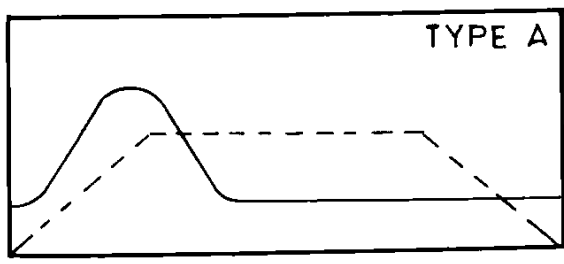
ANNEXURE-01

SIGN & DATE

SUPPERCEDES INVENTORY NO.

TYPES OF DEFLECTION

ECCENTRICITY
TEMPERATURE



TIME

CONFIDENTIAL AND PROPRIETARY

The information on this document is the property of Bharat Heavy Electricals Limited and must not be used directly or indirectly in any way detrimental to the interest of the company

SIGN & DATE

INVENTOR

HW 0850197

P-22

©

SUPERCEDES THE OLD DRG. SHEET
 UNDER THE SAME NO. OR
 CHANGE ANY OF THE
 NAME AKS SIGN [Signature] DATE 29.1.99

WORKED BY	A.K.SARKAR	<u>[Signature]</u>	12.1.99
CHECKED BY	J.P.MEENA	<u>[Signature]</u>	12.1.99



PLANT STANDARD

HEEP--HARDWAR

HW 0850197

PAGE 5 OF 6

ANNEXURE-02

SIGN & DATE

SUPERSEDES INVENTORY NO

COPYRIGHT AND CONFIDENTIAL
The information on this document is the property of Bharat Heavy Electricals Limited it must not be used directly or indirectly in any way detrimental to the interest of the company

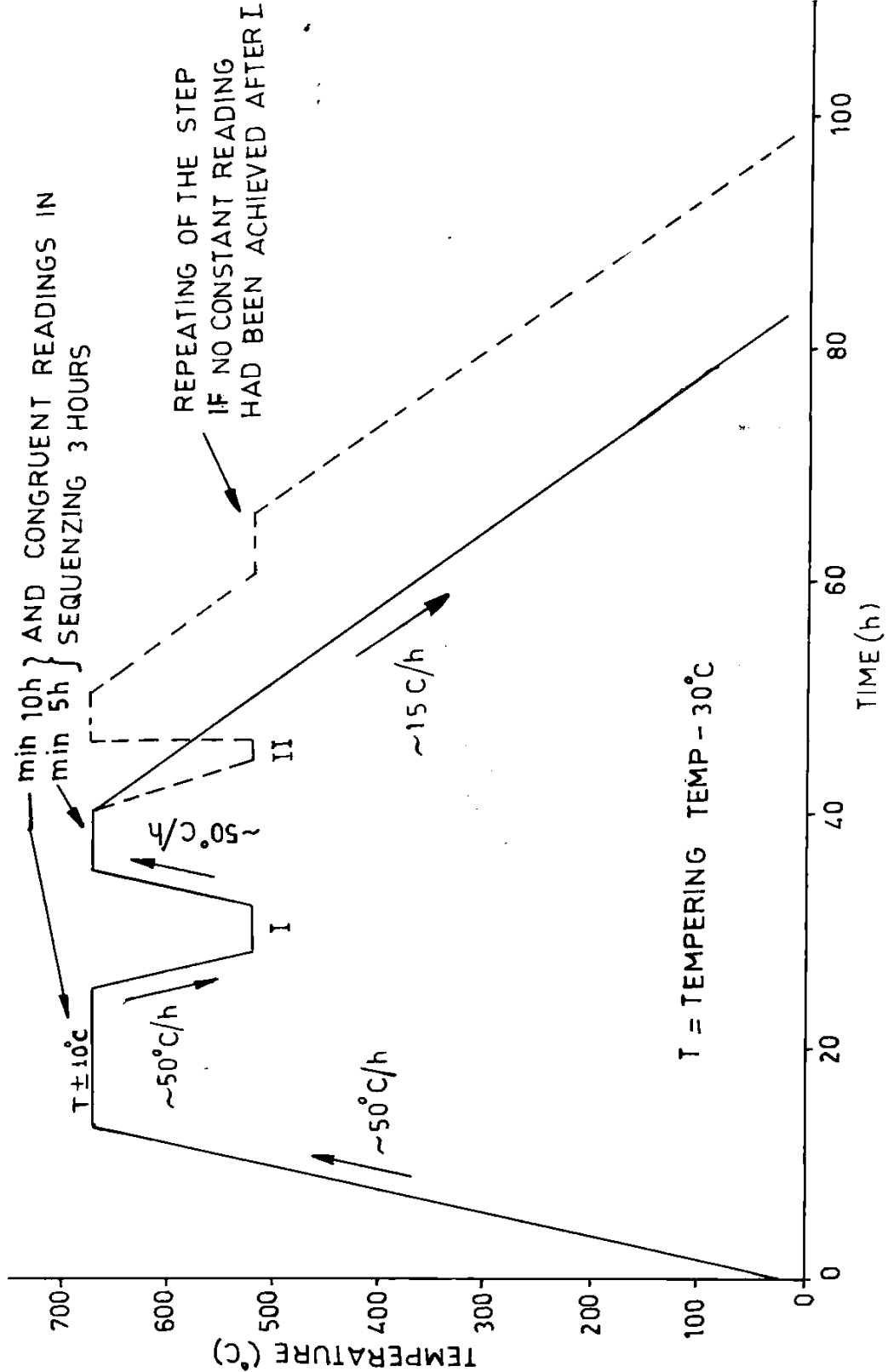
SIGN & DATE

INVENTORY NO

P-22
66/2/199

APPROVED BY: A.K.S. SARKAR
DATE: 12.01.99
SUPERSEDED BY: J.P. MEENA
DATE: 12.01.99
SHEET NO: 98-452

HEAT STABILITY CYCLE



WORKED BY

A.K. SARKAR

A.K.S.

12-01-99

CHECKED BY

J.P. MEENA

J.P.M.

12-01-99



PLANT STANDARD

HW 0850197

PAGE 6 OF 6

ANNEXURE - I

RECORD OF CHANGES

SIGN & DATE

INVENTORY NO
SUPERSEDES

COPYRIGHT AND CONFIDENTIAL
The information on this document is the property of Bharat Heavy Electricals Limited.
It must not be used directly or indirectly in any way detrimental to the interest of the company.

REV CODE	NO OF CHGS	DOCU NO	SHEET NO	SIGN	DATE	REV CODE	NO OF CHGS	DOCU NO	SHEET NO	SIGN	DATE
C	-	TSX-MTE-98-452	SUPERSEDES OLD SPEC. UNDER THE SAME NUMBER	<i>[Signature]</i>	12.1.99						

(C) SUPERCEDES THE OLD DRAW SHEET UNDER THE SAME NUMBER CHANGE ADVISED BY TSX-MTE-98-452 NAME AKS S.L.N DATE 12.1.99

DISTRIBUTION OF PRINTS

DEPTT	TGE	STE	AME	DME	HGE	HTE	ACE	HXE	MTE	MRL	IN-SUL SYS	HLE	TSX	THC	PPX	MCX	CSX
		✓							✓	✓			✓				
DEPTT	AIX	OSX	CCX	FAX	TFX	TLX (J&T)	TTX-GTX	TTX-ST	TTX-HT	TTX-EM	WT	QAX	QCX	PCM	WC 202	WC 205	WC 227
								✓				✓	✓				
DEPTT	FBM BL II	HTM WC276	STM WC236	TLM WC832	ACM WC291	CIM WC330	FGM WC356/361	SUM WC370	WWM WC386	HXM WC390	WEX WC 6100	ESX	TRX	TAX	AVP	BP GFE	HY
																✓	4

SIGN. & DATE
[Signature] 21/2/99

INVENTORY NO.
P-22

REVISION	DRAWN	WORKED	CHECKED
		A.K.SARKAR <i>[Signature]</i>	12.1.99
		J.P.MEENA <i>[Signature]</i>	12.1.99



TD-218 Rev 00

**PLANT STANDARD
HYDERABAD****HY 080 00 99****REV.NO. 00****PAGE 1 OF 4****PROCEDURE FOR FIRST PIECE QUALIFICATION OF STEAM TURBINE ROTOR FORGINGS****1.0 SCOPE**

This testing procedure is valid for all turbine shafts and turbine shaft parts at the supplier works for quality assurance and/ or supplier qualification. These tests are in addition to the tests already specified in the order drawing and specification.

2.0 REFERENCED DOCUMENTS

EN 10291, PA 14/24.21 of SIEMENS.

3.0 INSPECTION PERSONNEL

Inspections and correction of the punching is only allowed for qualified and named personnel.

4.0 TESTING**4.1 General**

If tangential and axial cores are given in the order drawing, it is essential that the purchaser is contacted and an agreement is reached with reference to the taking of the specimens. If tangential or axial cores are not specified in the order drawing, same is to be mutually agreed between the BHEL and the manufacturer before placement of purchase order.

4.2 Testing at the tangential core

For the determination of the basic mechanical properties tangential cores are planned (see order drawing).

The creep rupture properties are to be determined from specimens of a separate additional tangential core.

The test position can be seen in attachment 1; the specimens shall be taken from the middle of the core at the maximum radial depth.

Revisions :**Issued :****STANDARDS ENGINEERING DEPARTMENT****Rev.No.****Rev.Date****Revised****Prepared
MATLS
ENGG.****Approved
DGM / TS****Dt.of 1st Issue****00****OCT. 2003**



Testing specimens according to EN 10291, section 7

The following requirements are to be fulfilled:

1. $T = 560^{\circ}\text{C}$,
Initial stress $\sigma_o = 230 \text{ MP}_a$,
Rupture time $t_u = >1000\text{h}$
2. $T = 560^{\circ}\text{C}$,
Initial stress $\sigma_o = 127 \text{ MP}_a$,
Plastic elongation $A_p 1000\text{h} < 0.3\%$
Plastic elongation $A_p 3000\text{h} < 0.5\%$
3. $T = 530^{\circ}\text{C}$,
Initial stress $\sigma_o = 210 \text{ MP}_a$,
Plastic elongation $A_p 1000\text{h} < 0.27\%$

4.3 Testing at the axial core

The testing position is to be seen at attachment 1.

Testing specimens according to EN 10291, section 7

The following requirements are to be fulfilled:

1. $T = 560^{\circ}\text{C}$,
Initial stress $\sigma_o = 230 \text{ MP}_a$,
Rupture time $t_u = >1000\text{h}$
2. $T = 560^{\circ}\text{C}$,
Initial stress $\sigma_o = 127 \text{ MP}_a$,
Plastic elongation $A_p 1000\text{h} < 0.3\%$
Plastic elongation $A_p 3000\text{h} < 0.5\%$
3. $T = 530^{\circ}\text{C}$,
Initial stress $\sigma_o = 210 \text{ MP}_a$,
Plastic elongation $A_p 1000\text{h} < 0.27\%$.



TD-218 Rev.00

**PLANT STANDARD
HYDERABAD****HY 080 00 99****REV.NO. 00****PAGE 3 OF 4****5.0 Test report**

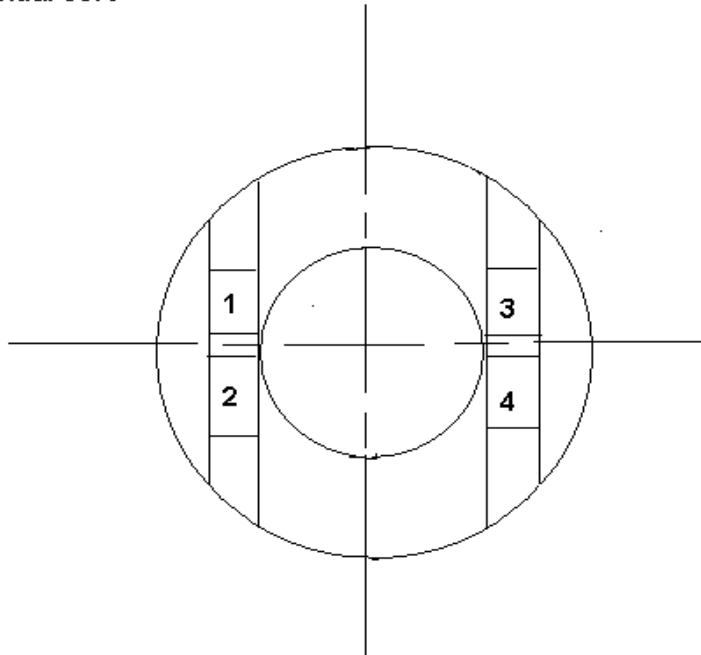
The test report has to included the following results according to EN 10291 section 11.1:

- Testing temperature
- Initial stress σ_0
- Rupture time t_U
- Rupture elongation A_U (for specimen 1)
- Rupture reduction area Z_U (for specimen 1)
- Plastic elongation A_P for 1000h and 3000h (for specimen 2)
- Plastic elongation A_P for 1000h (for specimen 3)

At continuous elongation measurement the whole creep curve is to reported.

6.0 DEVIATIONS

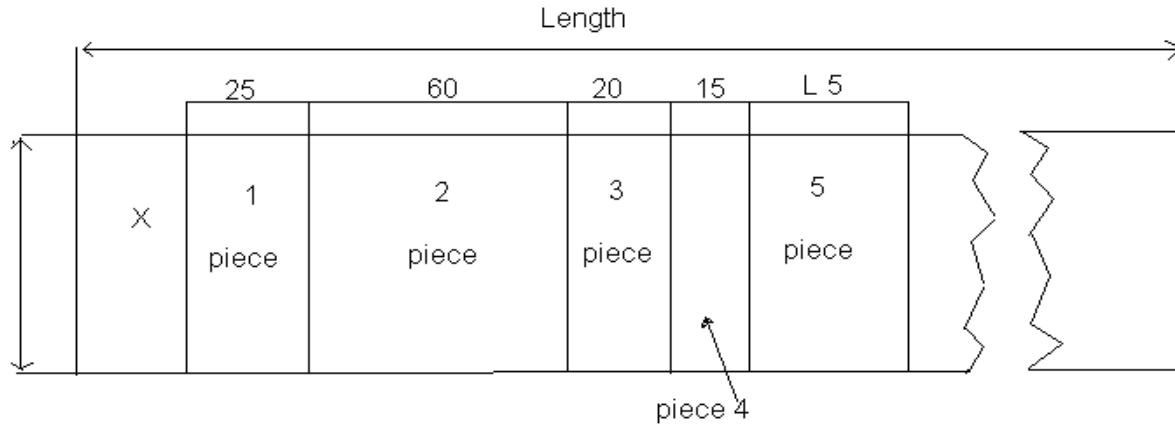
Any deviation has to be reported to BHEL for review and acceptance.

ATTACHMENT-1**Test position in the tangential core****Supplier testing****3 creep-rupture test specimens according to EN 10291 (specimen 4 for reserve)**



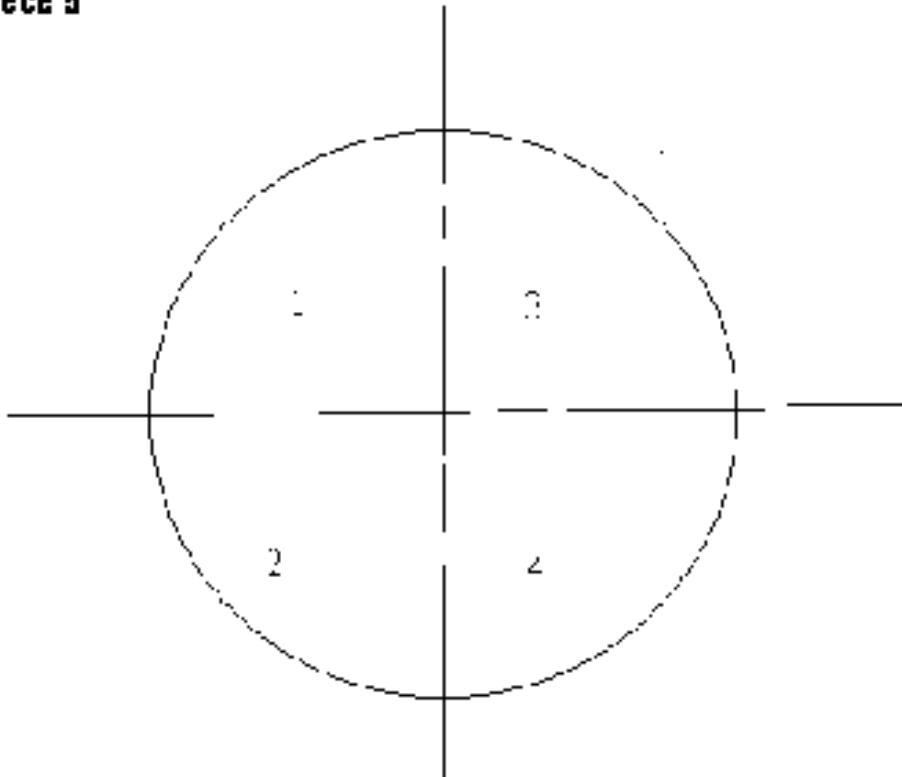
Test Position in the axial Core

Marking



L 5... The length of piece 5 depends on the length of the creep-rupture specimens.

Piece 5



3 Creep rupture test specimens according to EN 10291 (specimen 4 for reserve)