

- NOTES :-**
- ALL DIMENSIONS ARE IN MILIMETER AND LEVELS ARE IN METRES.
 - THIS DRAWING SHALL BE READ IN CONJUNCTION WITH RELEVANT STRUCTURAL, ARCHITECTURAL, SERVICES DRAWINGS AND SPECIFICATIONS.
 - DISCREPANCIES IF ANY FOUND SHALL BE BROUGHT TO THE NOTICE OF ENGINEER - IN - CHARGE BEFORE EXECUTION OF THE WORK.
 - DRAWING SHOULD NOT BE SCALED ONLY WRITTEN DIMENSIONS SHALL BE FOLLOWED
 - REINFORCED CONCRETE SHALL BE M25 DESIGN MIX
 - LAPPING TO REINFORCEMENT FOR -
 - BEAM TENSION REINFORCEMENT SHALL BE AT 'd' FROM SUPPORT (d = EFFECTIVE DEPTH).
 - BEAM COMPRESSION REINFORCEMENT SHALL BE AT MID SPAN.
 - COLOUMN LONGITUDINAL REINFORCEMENT SHALL BE AT MID-HEIGHT OF FLOOR.
 - LAPPING TO REINFORCEMENT SHALL BE 50 X BAR DIA.
 - REINFORCEMENT SHALL BE LAID AS PER IS.456 (LATEST) OR SP.34, IF DETAILS ARE NOT AVAILABLE IN THE DRAWING.
 - ADEQUATE CHAIRS SHALL BE PROVIDED TO THE REINFORCEMENT.
 - ALL REINFORCEMENT SHALL BE OF GRADE Fe - 500 CONFORMING IS:1786 OR TMT BARS OF EQUIVALENT GRADE.
 - MINIMUM CLEAR COVER TO THE REINFORCEMENT SHALL BE AS FOLLOWS :-
 (a) FOOTING - 50 MM (c) BEAM - 25 MM
 (b) COLUMN - 40 MM (d) SLAB - 20 MM
 - ALL WORK SHALL BE CARRIED OUT AS PER CPWD SPECIFICATIONS (LATEST).

SCHEDULE OF COLUMNS

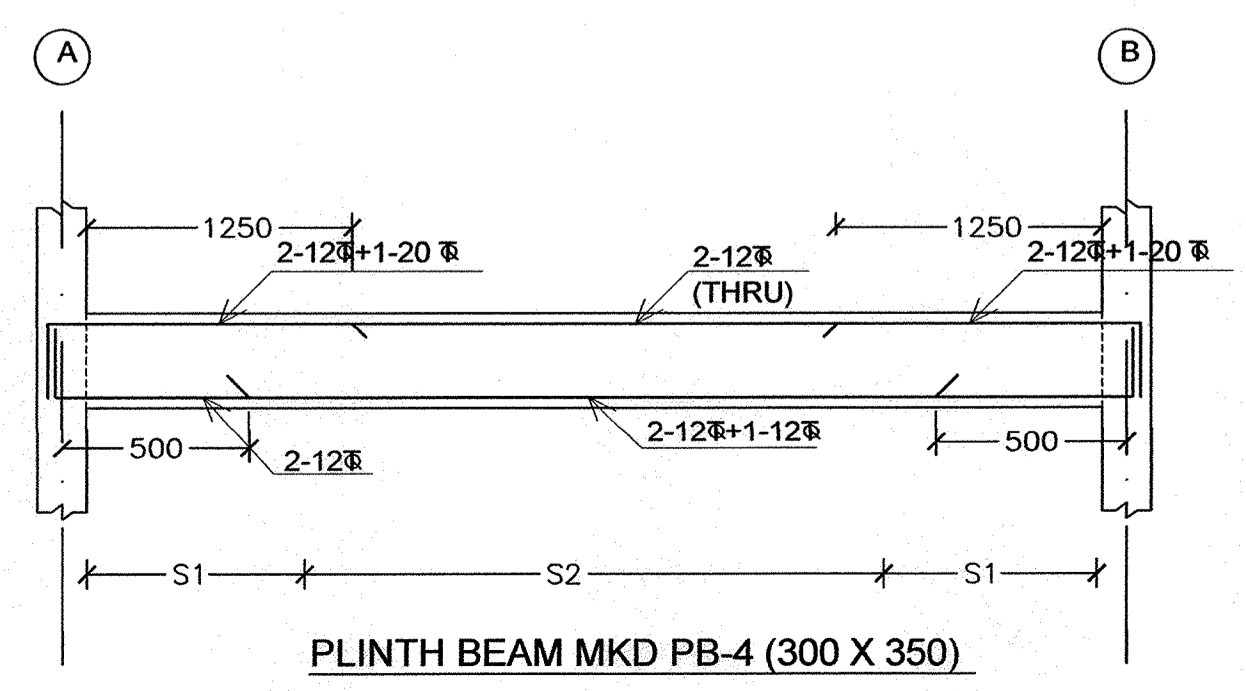
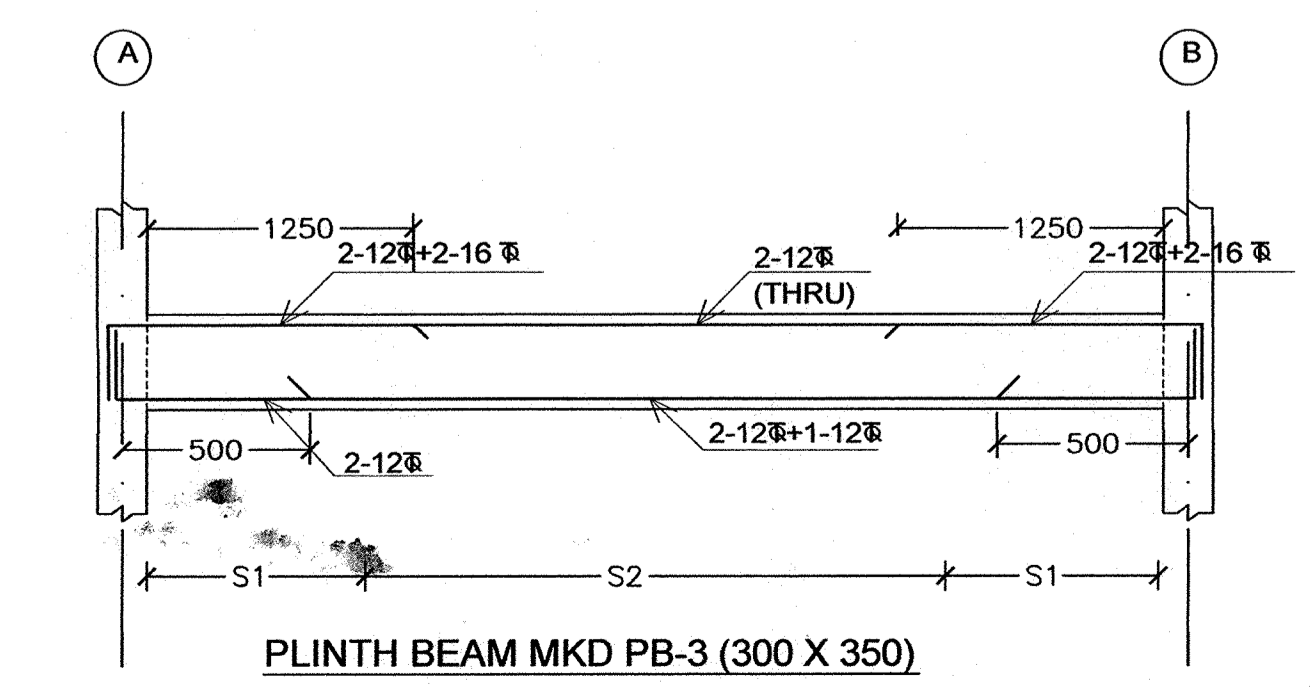
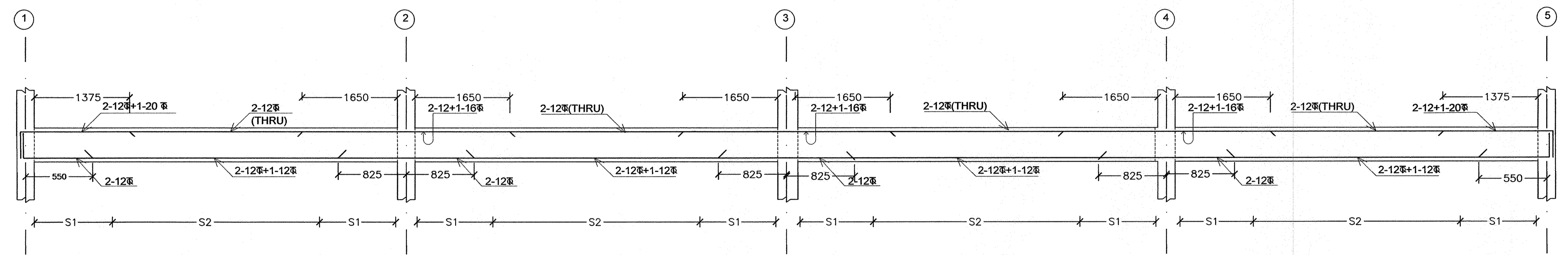
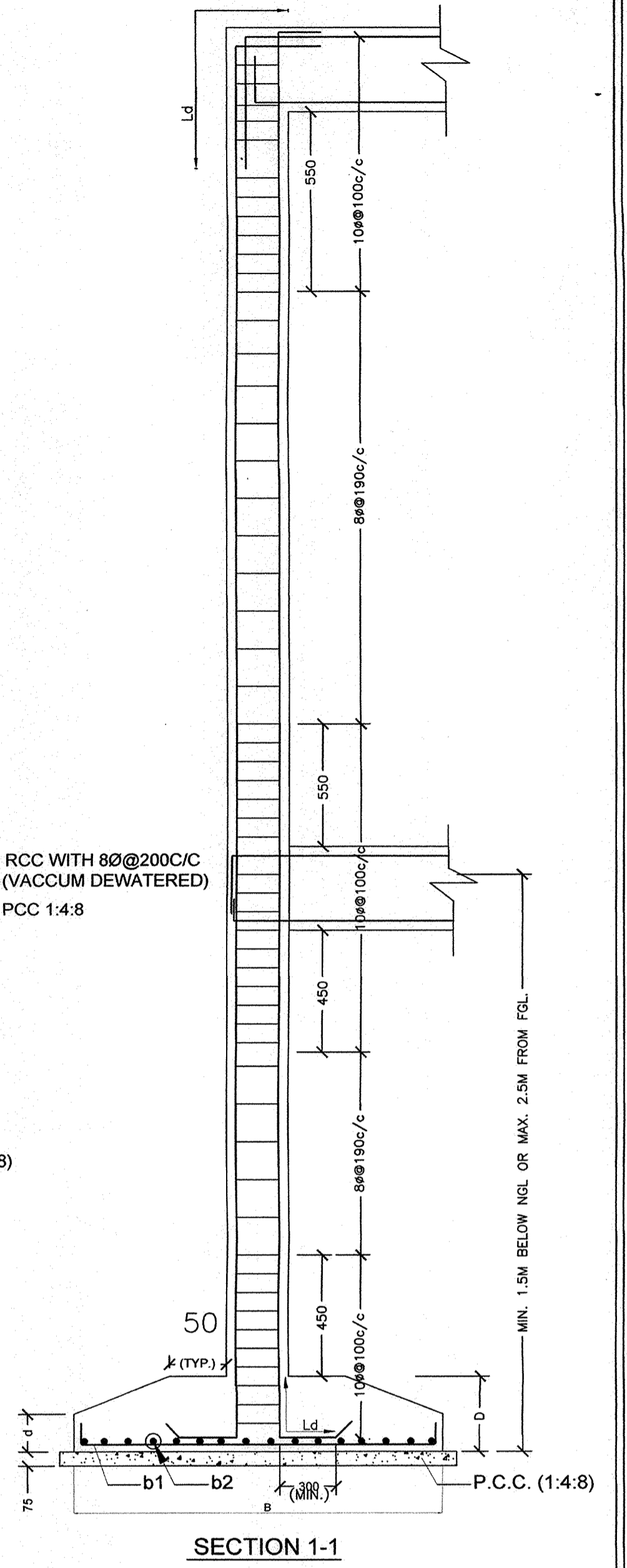
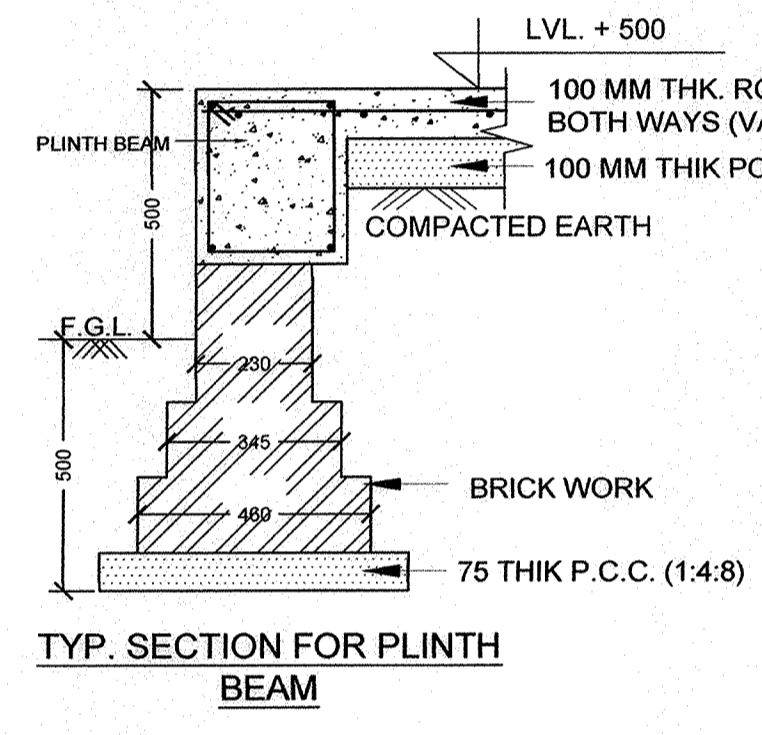
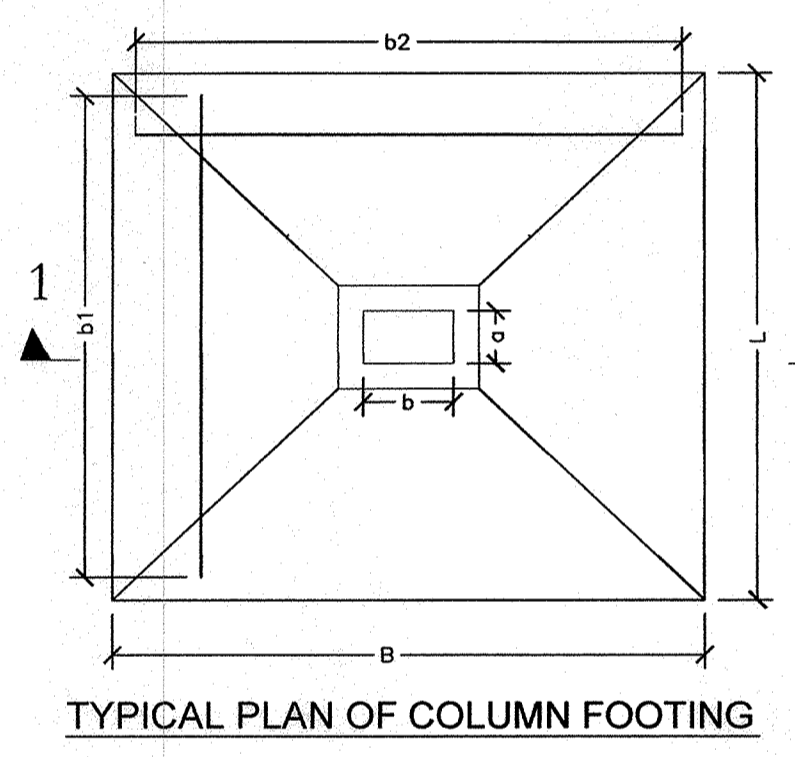
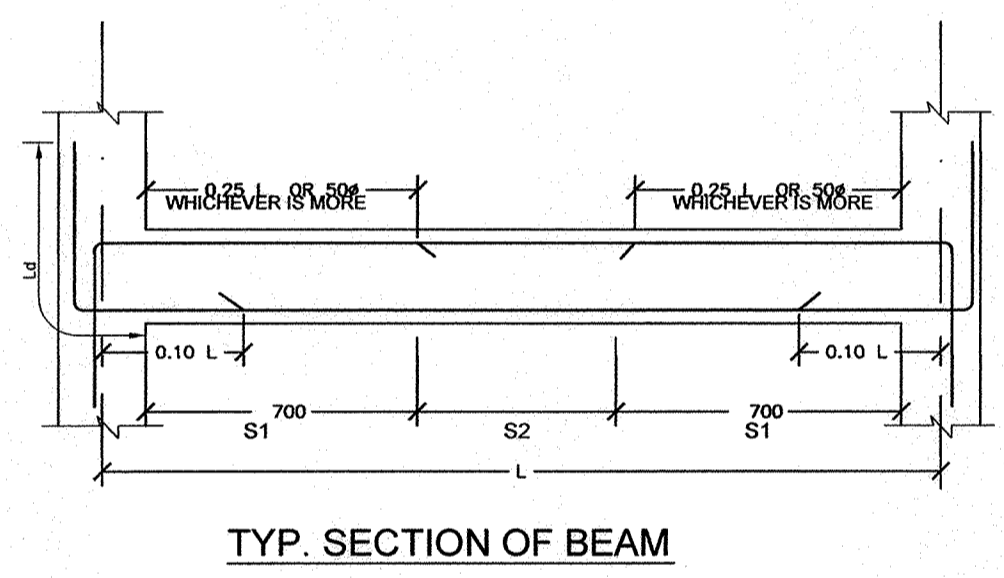
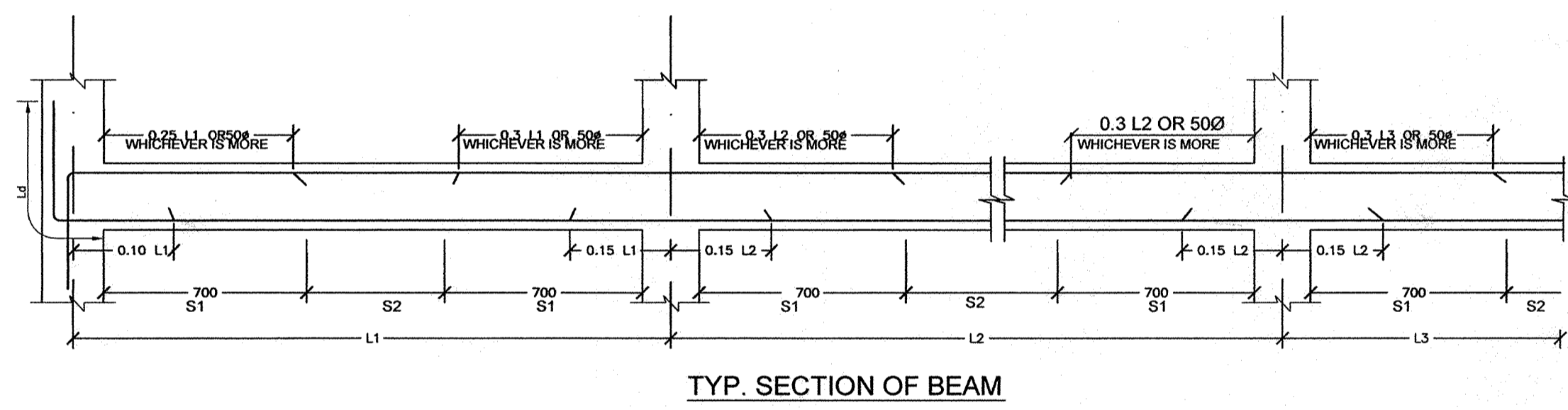
COLUMN MKD	COLUMN SIZES		REINFORCEMENT DETAILS	STIRRUPS DETAILS	CONC. MIX
	a	b			
C1	350	350	4-20 $\bar{\phi}$	8 $\bar{\phi}$ @ 190 C/C	M25
C2	350	350	4-16 $\bar{\phi}$ + 4-12 $\bar{\phi}$	8 $\bar{\phi}$ @ 190 C/C	M25

FOOTING DETAIL

FOOTING MKD	FOOTING SIZE LXB	DEPTH OF FOOTING		REINFORCEMENT		CONC. MIX
		D	d	b1	b2	
F1	1600X1600	250	100	10 $\bar{\phi}$ @ 225 c/c	10 $\bar{\phi}$ @ 225 c/c	M25
F2	1950X1950	250	100	10 $\bar{\phi}$ @ 130 c/c	10 $\bar{\phi}$ @ 130 c/c	M25

LEGEND - STIRRUPS

SPACING MARKED	DESCRIPTION
S1	2L - 8 $\bar{\phi}$ @ 75C/C
S2	2L - 8 $\bar{\phi}$ @ 150 C/C



RELEASED FOR TENDER & CONSTRUCTION.

POWER GRID CORPORATION OF INDIA LIMITED
 (A Government of India Enterprise)

PROJECT: STANDARD DRAWINGS FOR TOWN SHIP

TITLE: R.C. DETAILS OF FOUNDATIONS, COLUMNS & FOOTINGS
 PLINTH BEAM FOR 08 VEHICLES PARKING SHED
 (FOR SBC OF 9 T/M²)

DCDE (ENGG-CIVIL)	DGM (ENGG-CIVIL)	ENGG-CIVIL	ED (ENGG-SS&TL)	DATE
				03/11/12

SCALE: DRAWING NO. C/ENGG/TS/STD/PAR-8/M25/STR-01 REV R-00