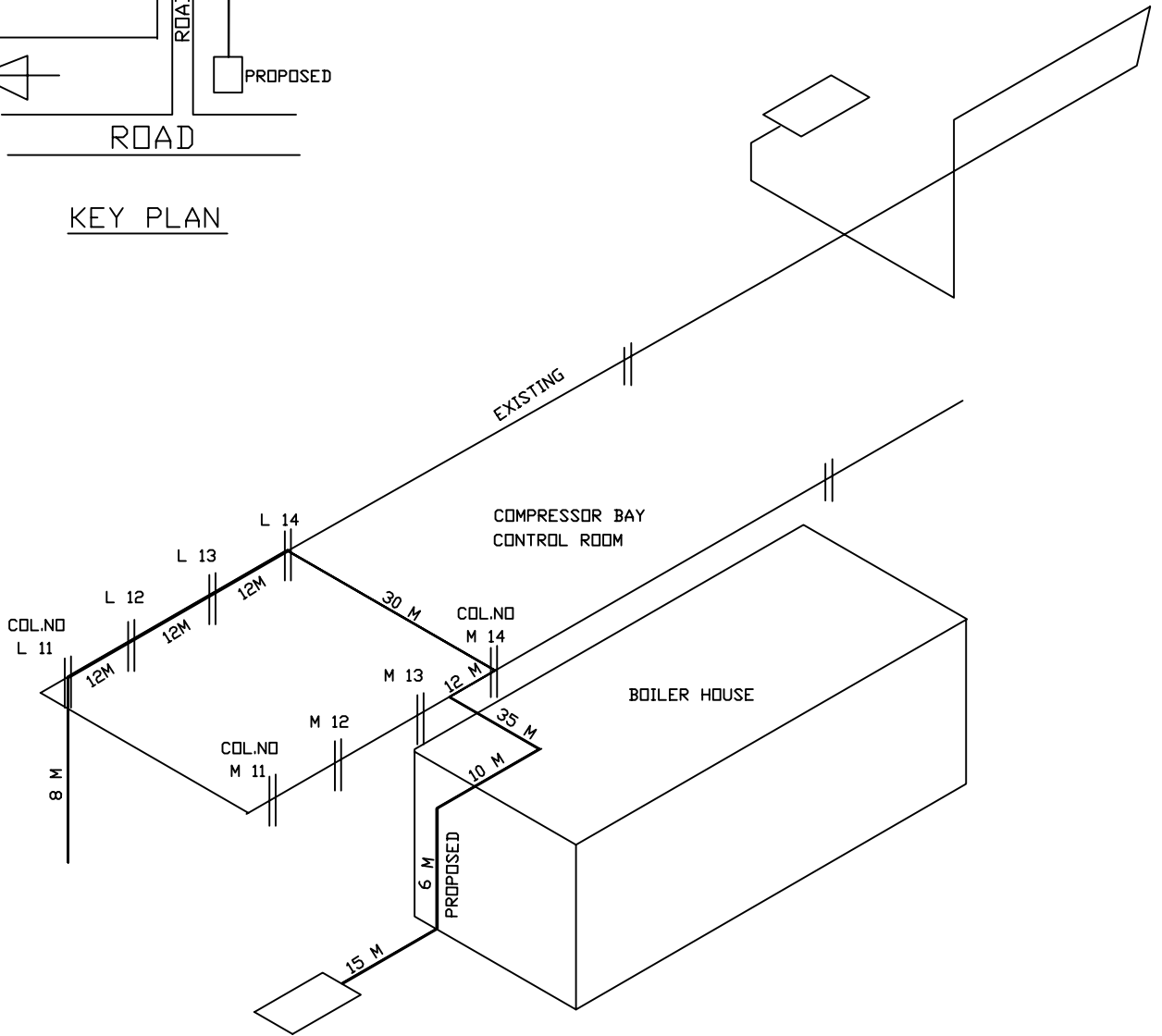


KEY PLAN

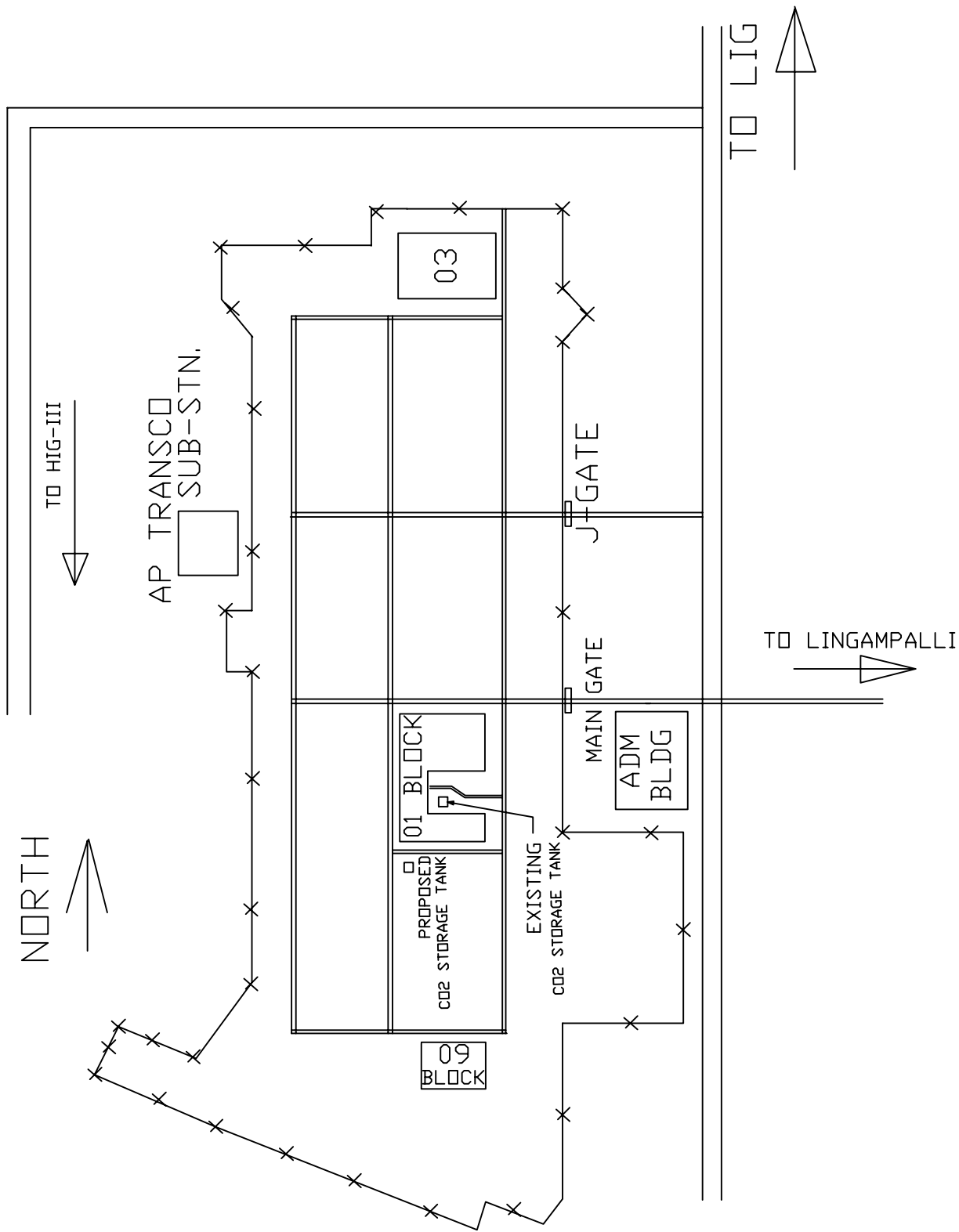



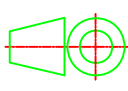
BHARAT HEAVY ELECTRICALS LIMITED
HYDERABAD

	NAME	SIGN.	DATE	NO.OF VAR.
DRN.	EMB		10.07.08	
CHD.	M V BABU.		10.07.08	
APPD.	KRISHNA RAO		10.07.08	

DEPT.	UNTO. DIM. GR. C/M/F		SCALE	WEIGHT (KG)	REF. TO ASSY DRG. NA	ITEM NO. NA	NO.OF ITEMS NA
DEPT.CODE							

TITLE SKETCH FOR PROPOSED PIPE LINE BETWEEN CO2 TANK & COMP.TEST PLANT				CARD CODE	DRAWING NO. IE/2008/122/B	REV.
				SHT No. 1	NO OF SHT. 1	



 BHARAT HEAVY ELECTRICALS LIMITED HYDERABAD		NAME	SIGN.	DATE	NO.OF VAR.		
		DRN.	M.F				
		CHD.	M.V.BABU				
		APPD.	KRISHNARAO.				
DEPT.	UNTOL. DIM. GR. C/M/F		SCALE NTS	REF. TO ASSY DRG. NA		ITEM NO. NA	NO.OF ITEMS NA
DEPT.CODE							
TITLE		CARD CODE	DRAWING NO. IE/2008/122/A		REV.		
RELOCATION OF CO2 STORAGE TANK FOR COMPRESSORS TESTING INSIDE-FACTORY AT 01 BLOCK.			SHT No. 1	NO OF SHT. 1			