



Bharat Heavy Electricals Limited

(High Pressure Boiler Plant)

Tiruchirapalli – 620014, TAMIL NADU, INDIA

An ISO 9001 Company

MATERIALS MANAGEMENT


TITLE CORRIGENDUM-I for NIT- 26399	Phone: +91 431 2577025 Fax : +91 431 252 0719 Email : dcm@bheltry.co.in / ssm@bheltry.co.in
--	---

Reference Number: Enquiry No. 2661600030	Enquiry Date: 10.02.2016	Due Date 04.03.2016
--	------------------------------------	-------------------------------

CORRIGENDUM- I

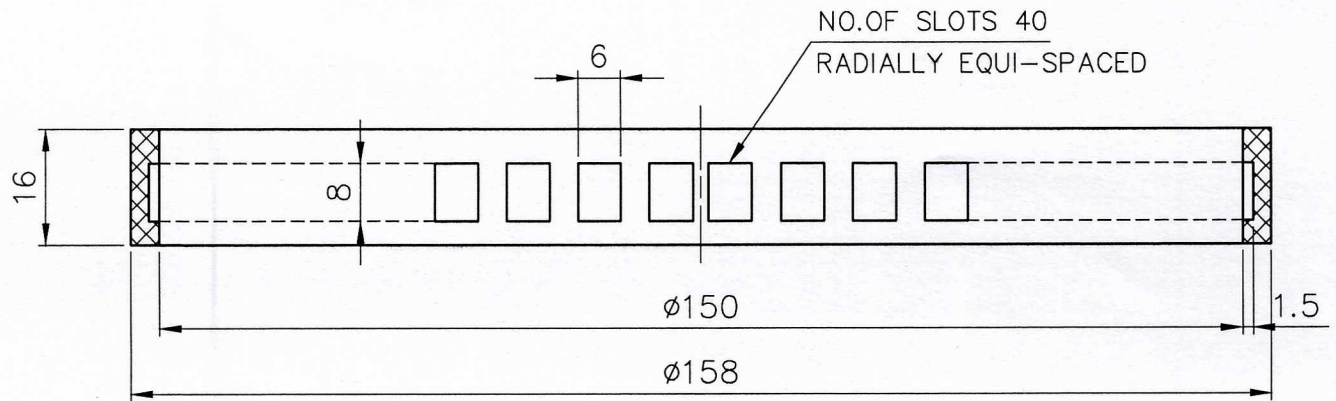
Details of Corrigendum
<p>The drawings 4M03A2529819 and 4M03A1828844 mentioned in the above enquiry are updated with the material details change from VITON to NEOPRENE RUBBER</p> <p><u>The revised drawings are 4M03A2529819-01 and 4M03A1828844-01 with material details corrected as NEOPRENE RUBBER. (Revised drawings are attached)</u></p>
All other terms and conditions as published in the NIT-26399 remain unaltered.

commercial terms & conditions with Price Bid formats and all annexure can be downloaded from BHEL web site <http://www.bhel.com> or from the Government tender website <http://tenders.gov.in> (public sector units) Bharat Heavy Electricals Limited) under enquiry reference "2661600030"

<p>Tenders should reach us before 14:00 hours on the due date Technical bid will be opened at 14:30 hours on the due date Tenders would be opened in presence of the tenderers who have submitted their offers and who may like to be present.</p>	<p>Yours faithfully,</p> <p> 12/2/2016</p> <p>For Bharat Heavy Electricals Limited</p> <p>D. CHANDRAMOHAN Dy. General Manager Purchase (CP & SP) / MM / RM BHEL, TIRUCHY - 620 014.</p>
--	---

CAUTION: THIS DRAWING IS OUR SOLE PROPERTY AND SHOULD NOT BE USED IN ANY FORM FOR ANY PURPOSE WITHOUT THE WRITTEN PERMISSION OF BHARAT HEAVY ELECTRICALS LIMITED TRICHIRAPPALLI - 620 014.

ALL DIMENSIONS ARE IN MM



NOTE: -

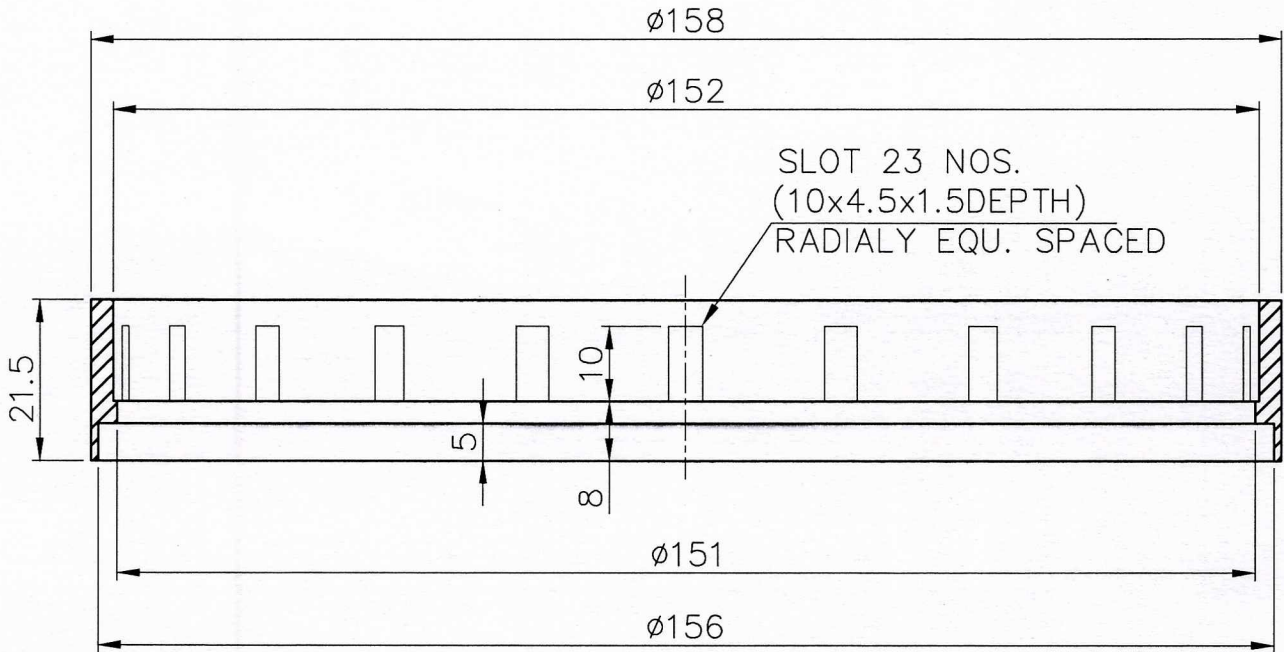
SHORE HARDNESS 70 ± 2 A

01

No. of pieces		DESCRIPTION		MATERIAL		STANDARD		NET.WT.IN KGS.		DRAWING No.		ITEM No.
1		NEOPRENE RUBBER		NEOPRENE RUBBER								
REFERENCE:		ALTERATIONS:		DCN REF		DATE		SIGN.		INDEX		
MATERIAL: NEOPRENE RUBBER WAS VITON						11.02.16		G.G.R		01		
SCALE	DRAWN	S.selvamanickam										
1:1	CHECKED	R.RAMAMOORTHY										
	APPROVED	C.S.JAYASHEELAN										
	DATE	03.02.11'										
MACHINE: PORTABLE BAND SAW/KOSOKU		TYPE: HRB 1140										
TITLE: RUBBER LINER		DRAWING No:		4M03A1		828844		01		REV.		
Sheet No:		No. of Sheets:										


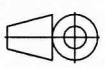
ALL DIMENSIONS ARE IN MM

REV 01	DATE 11.02.16	ALTERED G.GOVINDARAJ
		CHECKED
		APPROVED G.THIAGARAJAN
ZONE	MATERIAL: NEOPRENE RUBBER WAS VITON	



NOTE:

- SHORE HARDNESS 70^{±2} A

CAUTION: THE INFORMATION ON THIS DOCUMENT IS THE PROPERTY OF BHARAT HEAVY ELECTRICALS LIMITED. IT MUST NOT BE USED DIRECTLY OR INDIRECTLY IN ANY WAY DETRIMENTAL TO THE INTEREST OF THE COMPANY.	01	Ø158 x 21.5		△01			
	ITEM NO	DESCRIPTION	DRAWING NO		NEOPRENE RUBBER		
					MATL CODE	UNIT WT	
					MATL SPEC	QTY	
EQPT: PORTABLE BAND SAW / MAKITA 2107F							
	Bharat Heavy Electricals Ltd HIGH PRESSURE BOILER PLANT TIRUCHIRAPALLI - 620014			DRN	C.PONNUSAMY	SIGNATURE <i>E.Ponnusamy</i>	DATE 9/9/14
				CHD	G.GOVINDARAJ	<i>G.Govindaraj</i>	10/9/14
				APPD	G.THIAGARAJAN	<i>G.Thiagarajan</i>	11/9/14
DEPT M&S	GRADE OF UNTOL. DIM		SCALE	WEIGHT (Kg)	REF TO ASSY DWG NO	ITEM	
CODE 2597	Ø/M/F IS: 2102		1:1		REF TO OLD DWG NO 4M03A1828844		
TITLE RUBBER LINER				CARD CODE U 01	DRAWING NO : 4-M-03A25-29819		REV 01