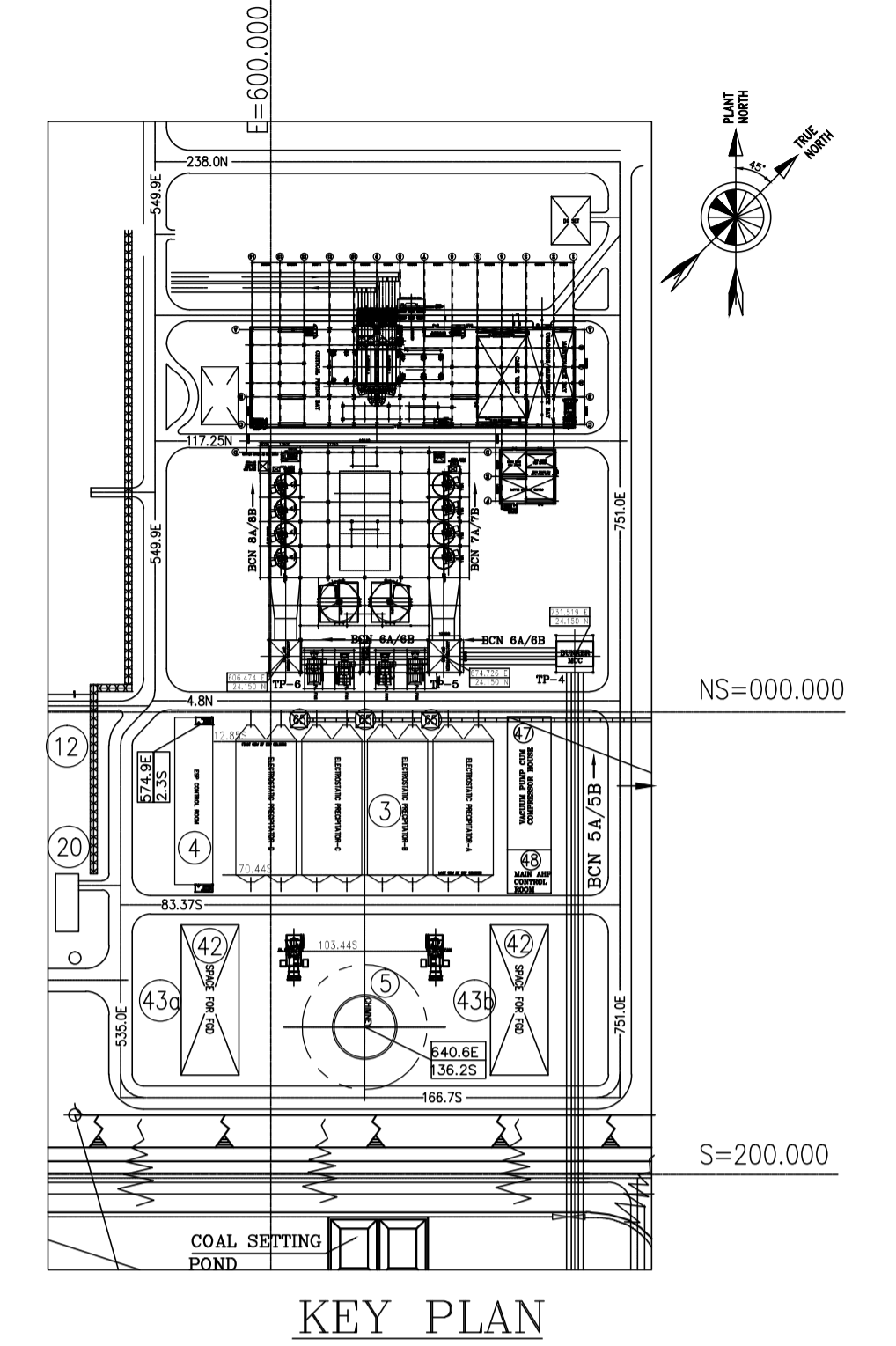
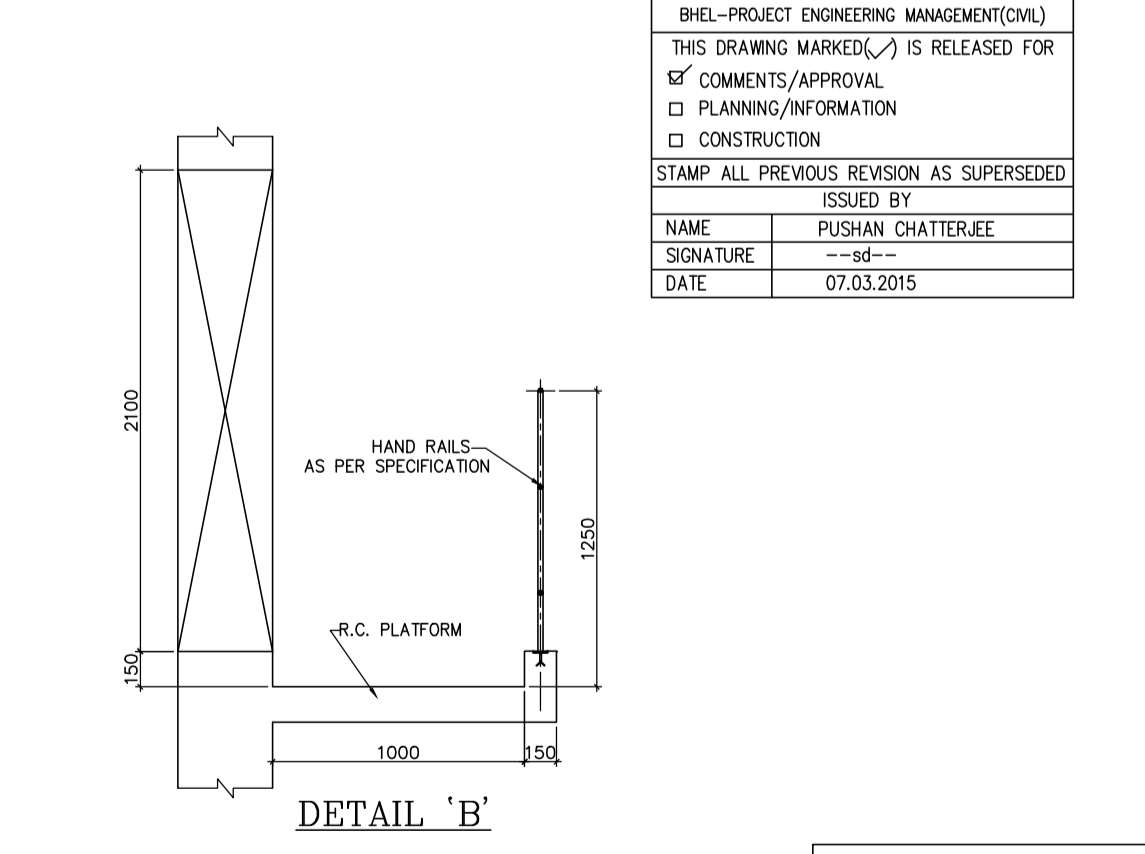
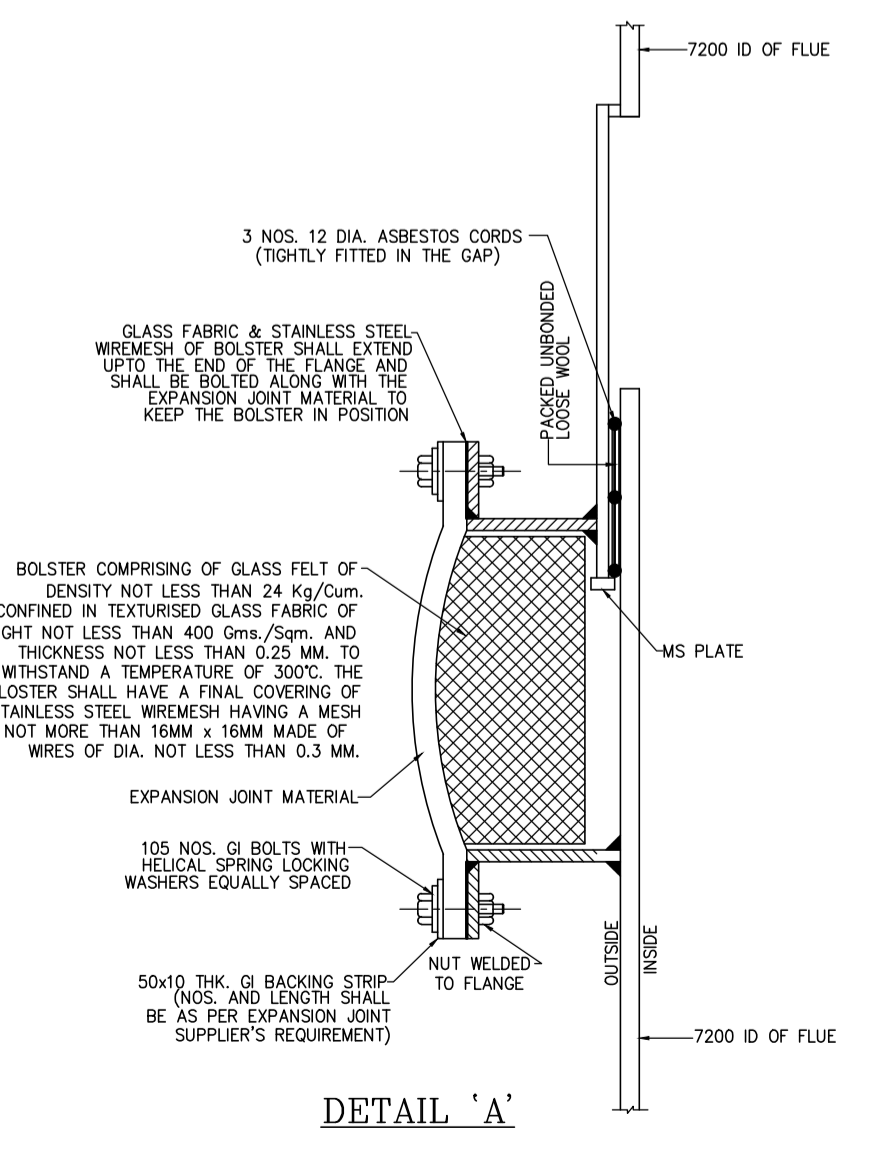
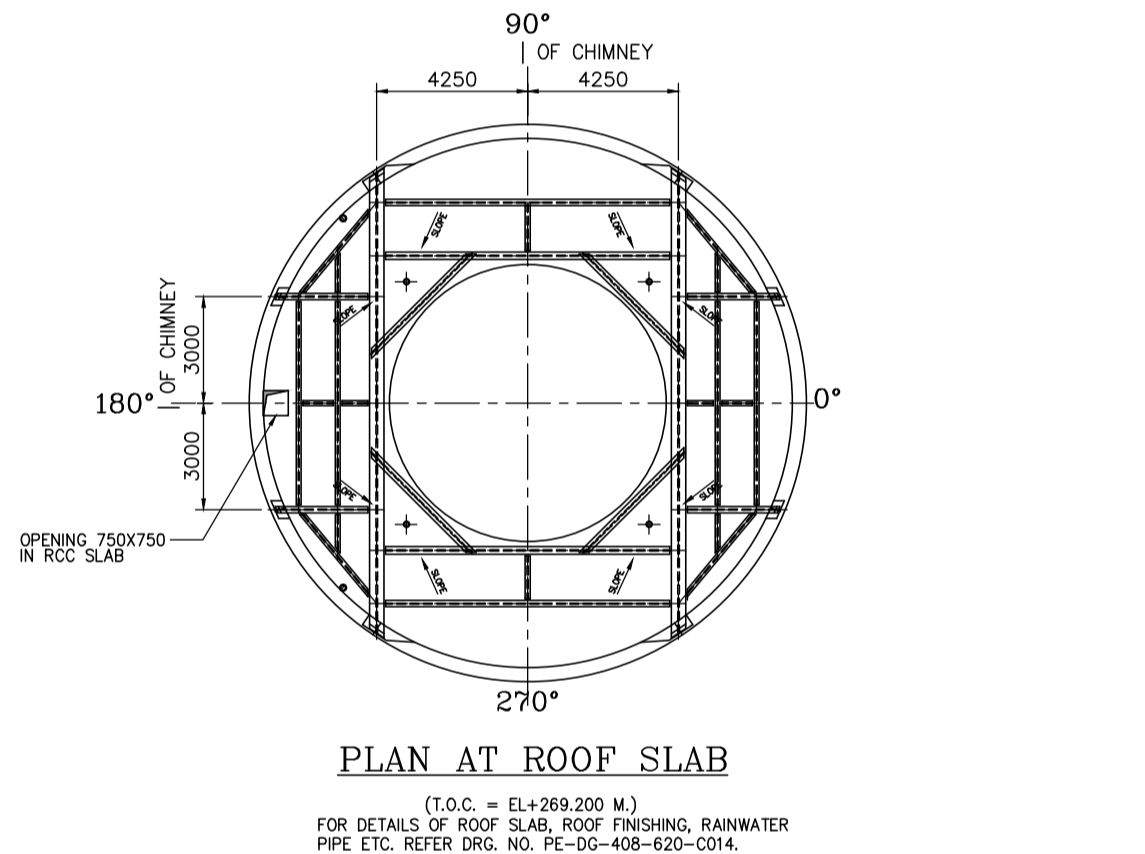
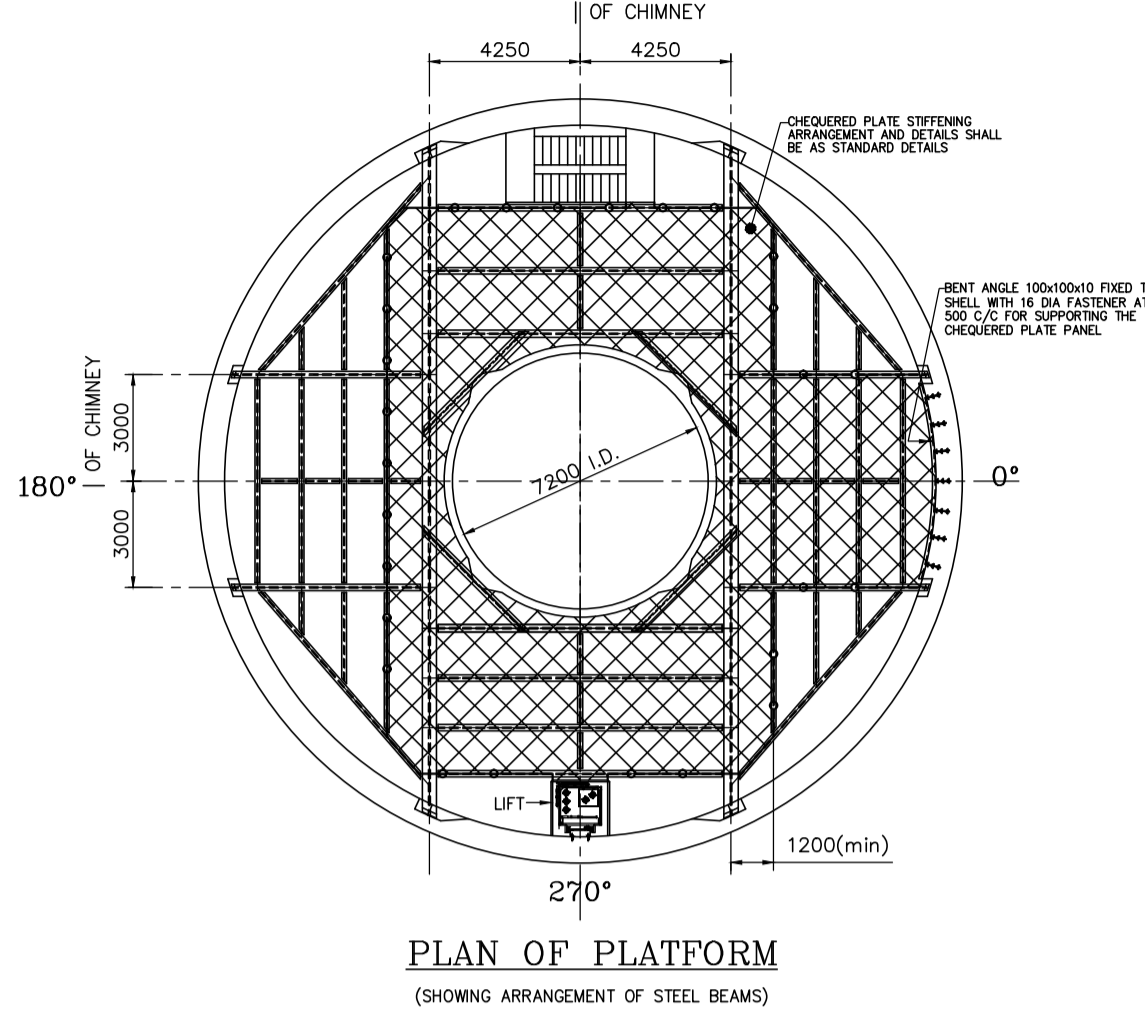
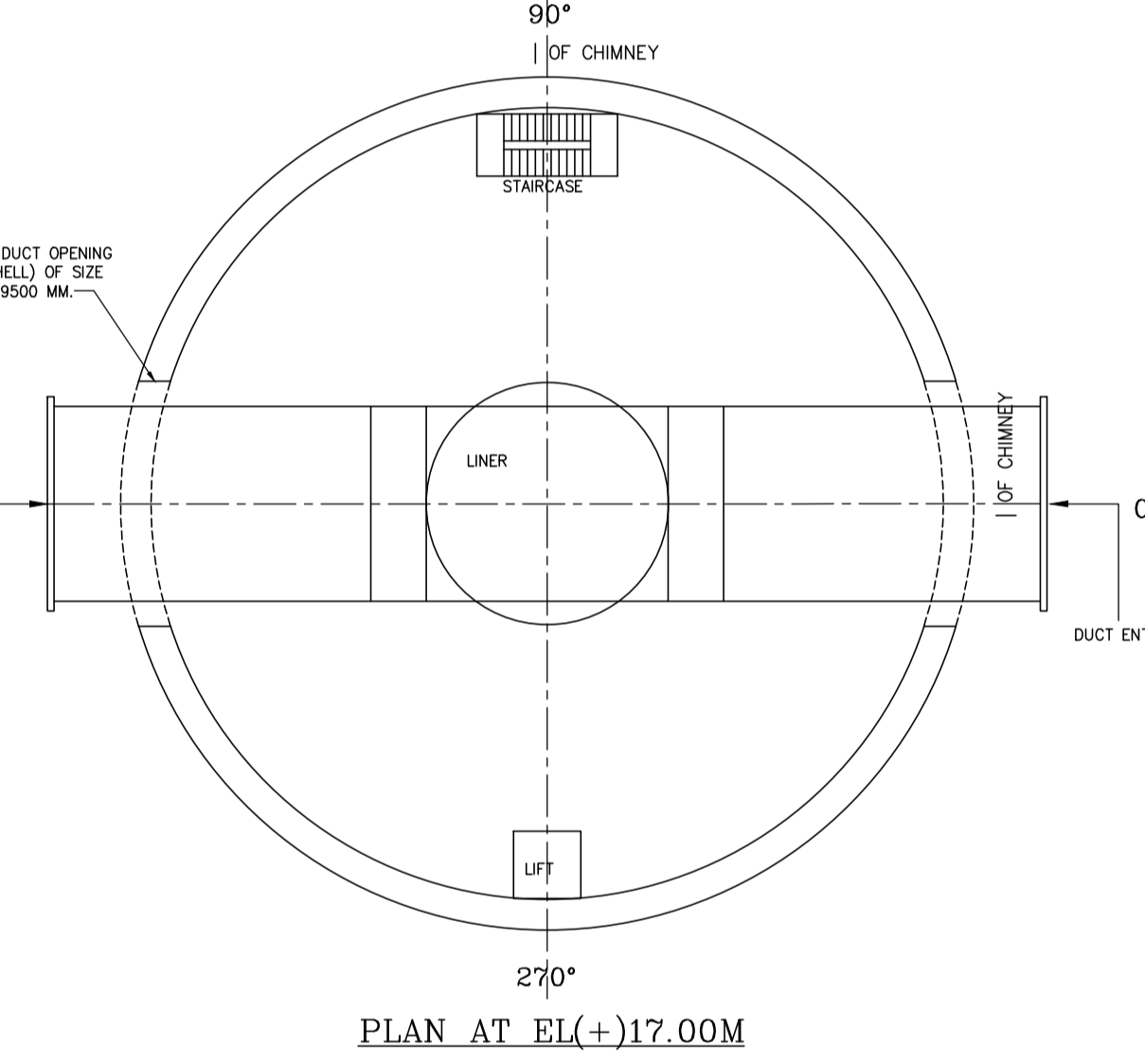
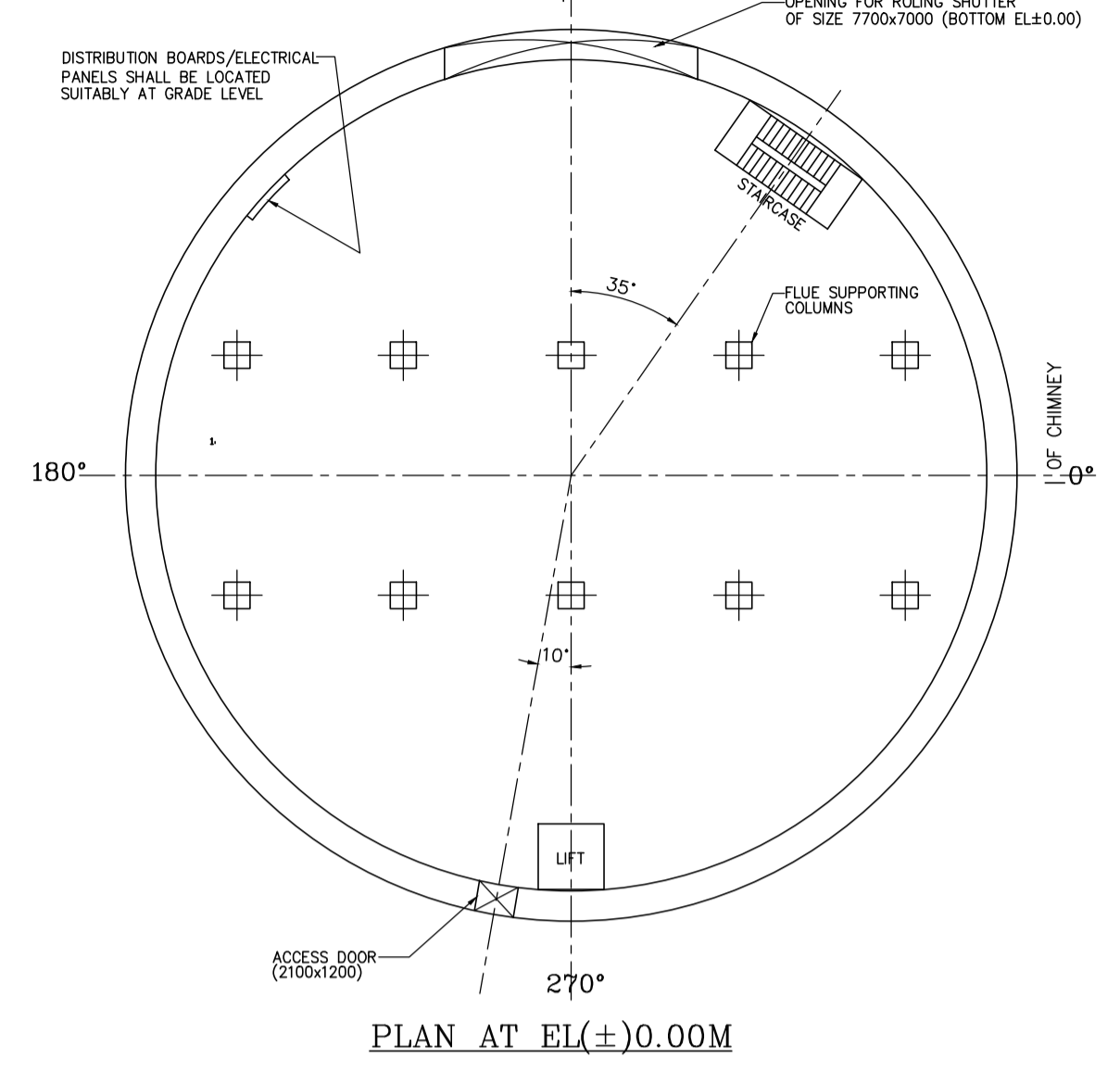
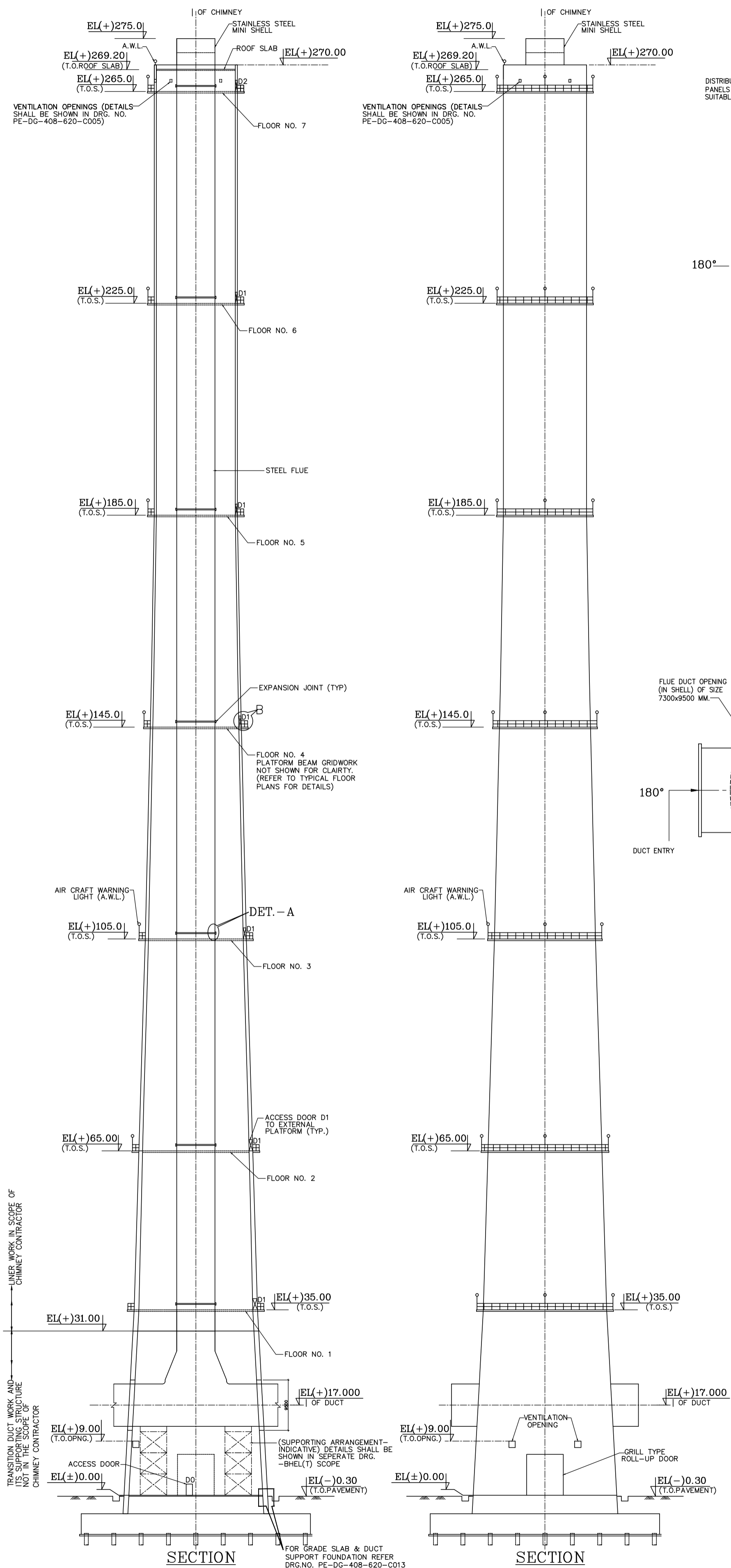


ELEVATION (M)	OUTSIDE DIAMETER OF SHELL (mm)	SHELL THK (mm)
270.00	15700	400
269.00	15700	400
265.00	15700	400
255.00	15700	400
245.00	15700	400
235.00	15700	400
225.00	15700	400
215.00	15700	400
205.00	15700	400
195.00	15700	400
185.00	15700	400
175.00	16046	417
165.00	16392	433
155.00	16738	450
145.00	17205	480
135.00	17673	510
125.00	18140	540
115.00	18608	570
105.00	19075	600
95.00	19691	621
85.00	20307	643
75.00	20923	664
65.00	21523	704
55.00	22106	761
45.00	22689	818
35.00	23272	875
30.00	23711	883
21.750	24727	892
17.000	25249	898
12.250	25770	905
7.000	26347	911
+2.100	26885	918
+0.000	27116	920
-3.500	27500	925



DRAWING LIST

S.NO.	DRAWING NO.	DRAWING TITLE
1.	PE-DG-408-620-C001	GENERAL ARRANGEMENT
2.	PE-DG-408-620-C002	G.A. OF FOUNDATION
3.	PE-DG-408-620-C003	REINFORCEMENT DETAILS OF FOUNDATION
4.	PE-DG-408-620-C004	SHUTTERING & REINFORCEMENT DETAILS OF CHIMNEY SHELL
5.	PE-DG-408-620-C005	DETAILS OF SHELL OPENINGS
6.	PE-DG-408-620-C006	DETAILS OF EXTRA REINFORCEMENT AROUND SHELL OPENINGS
7.	PE-DG-408-620-C007	DETAILS OF INTERNAL PLATFORMS (SH1)
8.	PE-DG-408-620-C008	DETAILS OF INTERNAL PLATFORMS (SH2)
9.	PE-DG-408-620-C009	DETAILS OF LINER SUPPORT BEAMS
10.	PE-DG-408-620-C010	DETAILS OF LINER RESTRAINT
11.	PE-DG-408-620-C011	DETAIL OF GAS SAMPLING PORTS
12.	PE-DG-408-620-C012	DETAIL OF MANHOLES IN FLUES
13.	PE-DG-408-620-C013	DETAILS OF GRADE SLAB
14.	PE-DG-408-620-C014	G.A. AND R.C.C. DETAILS OF ROOF SLAB
15.	PE-DG-408-620-C015	EXTERNAL PLATFORM DETAILS
16.	PE-DG-408-620-C016	MISCELLANEOUS DETAILS FOR DOORS, ROLLING SHUTTER, ROOF HATCH, RAIN WATER PIPE DRAINAGE ETC
17.	PE-DG-408-620-C017	MINISHELL DETAILS - CAN TYPE 'SS1' & 'SS2'
18.	PE-DG-408-620-C018	DETAILS OF STEEL STAIRCASE
19.	PE-DG-408-620-C019	LINER GENERAL ARRANGEMENT
20.	PE-DG-408-620-C020	CHIMNEY LINER DETAILS - CAN TYPE 'A'
21.	PE-DG-408-620-C021	CHIMNEY LINER DETAILS - CAN TYPE 'D'
22.	PE-DG-408-620-C022	CHIMNEY LINER DETAILS - CAN TYPE 'F'
23.	PE-DG-408-620-C023	CHIMNEY LINER DETAILS - CAN TYPE 'G'
24.	PE-DG-408-620-C024	CHIMNEY LINER DETAILS - CAN TYPE 'B'
25.	PE-DG-408-620-C025	CHIMNEY LINER DETAILS - CAN TYPE 'E'
26.	PE-DG-408-620-C026	DETAIL OF LINER EXPANSION JOINTS
27.	PE-DG-408-620-C027	FIXING DETAILS OF LINER INSULATION
28.	PE-DG-408-620-C028	CHIMNEY PAINTING

- NOTES:-**
- ALL DIMENSIONS ARE IN MILLIMETRES AND LEVELS ARE IN METRES.
 - COMPLIANCE WITH STANDARDS SHALL RELATE TO LATEST PUBLISHED EDITIONS.
 - ALL ELEVATIONS ARE REFERRED TO POWER HOUSE FINISHED GROUND FLOOR ELEVATION EL(+0.00)M WHICH CORRESPONDS TO RL. 72.3.
 - THE OTHER COMPONENTS OF THE CHIMNEY INCLUDE ROLL UP DOORS, PERSONNEL ACCESS DOORS, HAND RAILS, HOOD HATCH, LINER TEST PORTS, NON METALLIC EXPANSION JOINTS, RAIN WATER DRAINAGE SYSTEM, VENTILATION OPENINGS, ELECTRICAL POWER SUPPLY DISTRIBUTION BOARDS, LIGHTING PANELS, SOCKET OUTLETS, POWER AND CONTROL CABLING, RACEWAY SYSTEM, STAIR AND PLATFORM LIGHTING, LIGHTNING PROTECTION & GROUNDING SYSTEM, COMMUNICATIONS SYSTEM ETC. AND SHALL BE PROVIDED AS PER TECHNICAL SPECIFICATIONS.
 - FOR GENERAL NOTES AND DETAILING OF R.C.C. WORKS REFER DRG. NO. PE-DG-408-600-C001.
 - FOR GENERAL NOTES AND DETAILING OF STEEL STRUCTURAL WORKS REFER DRG. NO. PE-DG-408-600-C001.
 - AIRCRAFT WARNING LIGHT (A.W.L.) SHALL BE PROVIDED TO MEET THE REQUIREMENT OF RELEVANT STANDARD STATUTORY BODY.

BHEL-PROJECT ENGINEERING MANAGEMENT(OVL)
 THIS DRAWING MARKED (✓) IS RELEASED FOR
 ✓ COMMENTS/APPROVAL
 PLANNING/INFORMATION
 CONSTRUCTION
 STAMP ALL PREVIOUS REVISION AS SUPERSEDED
 ISSUED BY
 NAME PUSHAN CHATTERJEE
 SIGNATURE --sg--
 DATE 07.03.2015

GSECL GUJARAT STATE ELECTRICITY CORPORATION LIMITED
 VADODARA, GUJARAT
 1x800 MW Wanakbori Thermal Power Station Extn. Unit-8

DEVELOPMENT CONSULTANTS PVT. LTD.
 CONSULTING ENGINEERS
 KOLKATA · MUMBAI · CHENNAI · NEW DELHI

BHARAT HEAVY ELECTRICALS LTD
 POWER SECTOR
 PROJECT ENGINEERING MANAGEMENT
 NEW DELHI

JOB NO. 408
 STATUS CONTRACT
 DISTRIBUTION

TO	DATE	ALTD	CHD	APPD
No.OFF				
REV				

DEPT. CODE DRN NAVEEN KR -Sd- 07.03.2015
 DESK PRISHAN -Sd- 07.03.2015
 CHD A. BANSAJAL -Sd- 07.03.2015
 APPD A.K. SINGH -Sd- 07.03.2015

TITLE **CHIMNEY**
 GENERAL ARRANGEMENT

DEPT. SCALE DRAWING NO.
 SIGN SHEET 1 OF 1 REV 0
 DATE

Mar 07, 2015 - 10:09am SIZE-A1