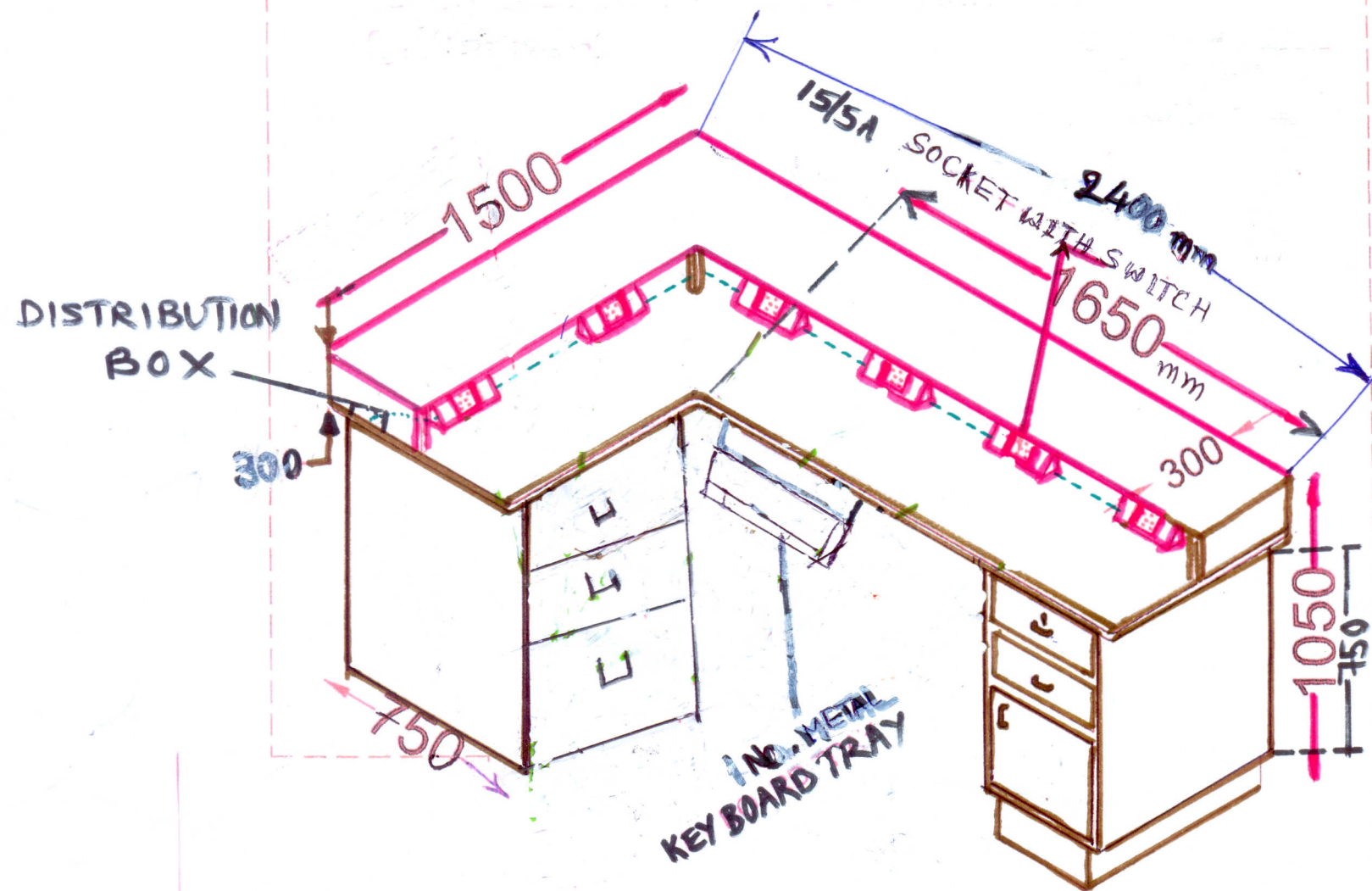


ANNEXURE 6

I.L-SHAPE WORK TABLE:



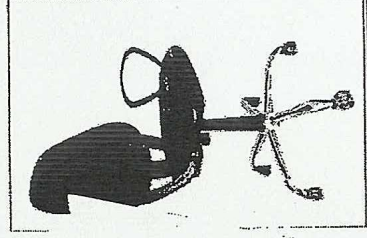
Technical Specification of Antistatic Vinyl Chair

ESD safe chair is essentially designed for discharging the accumulated electrical charges for the operator during critical electronic assembly.

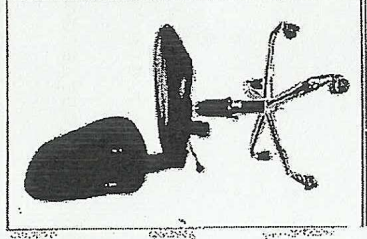
- Height Adjustable
- With Arms : 18" x 18"
- Seat Size : 17" x 19"
- Back Rest Size : 19"
- Seat height from the floor min : 24"
- Seat height from the floor max : 12"
- Height of the Handle Adjustable maximum : 9"
- Height of the Handle Adjustable minimum :
- Seat and backrest upholstered with ESD PVC leather which is low in maintenance and clean
- Colour of seat and backrest – black
- Seat type : Smooth revolving
- Cushion : 2" seat and backrest
- Structure of chair : Tubular M.S. with chrome plating
- Chair base : Chrome plated 5 stars M.S.Base with 3 ESD Castor & 2 Normal castors. Drag included in center of base.
- Height adjustable seat : Using Hydraulic Mechanism
- Tilting back seat : The back can be locked in vertical positioning and can be tilted by unlocking.

Electrical Properties :

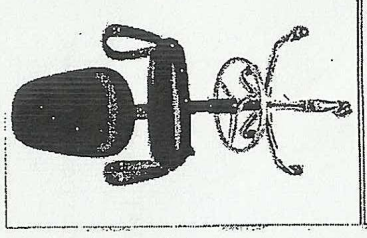
- 1). **Seat & Backrest Surface**
Point to Point surface resistance : $< 10^7$ Ohms
Seat to Castor and Seat to Chair Base
Grounding chain resistance : $< 10^7$ Ohms
- 2). **Antistatic Chair : Surface Resistivity of seat & back to the Ground $10^6 - 10^8$ Ohms**
Meets the ANSI ESD S20.20-2007 and EIA 625 Standards



ESD Vinyl Chair with Arms



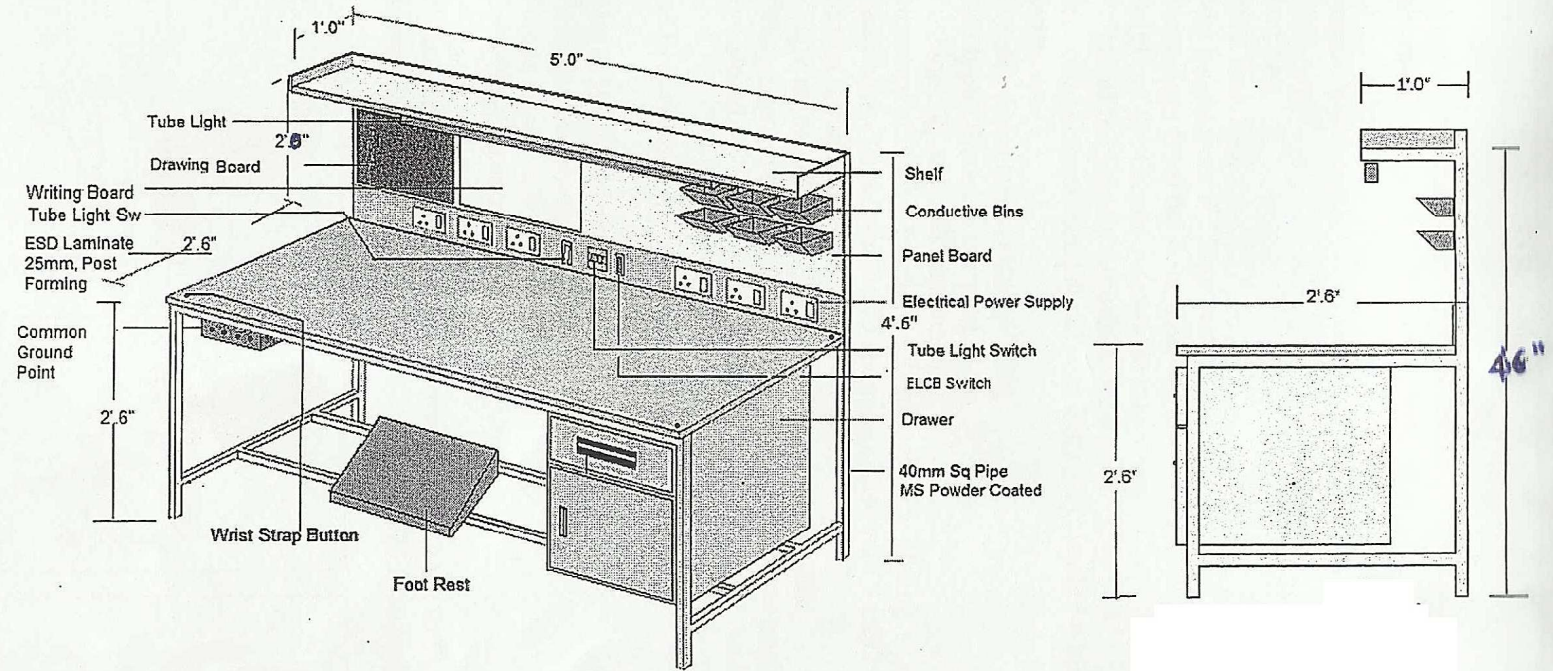
ESD Vinyl Chair without Arms



ESD Vinyl Chair with Arms and Foot Rest

Annexure -9

ESD WORK STATION



Manufacturer:	Kinetio Polymers
Product	ESD Work Station
Client:	BHEL - HYD
Drawing No.	KP.0010