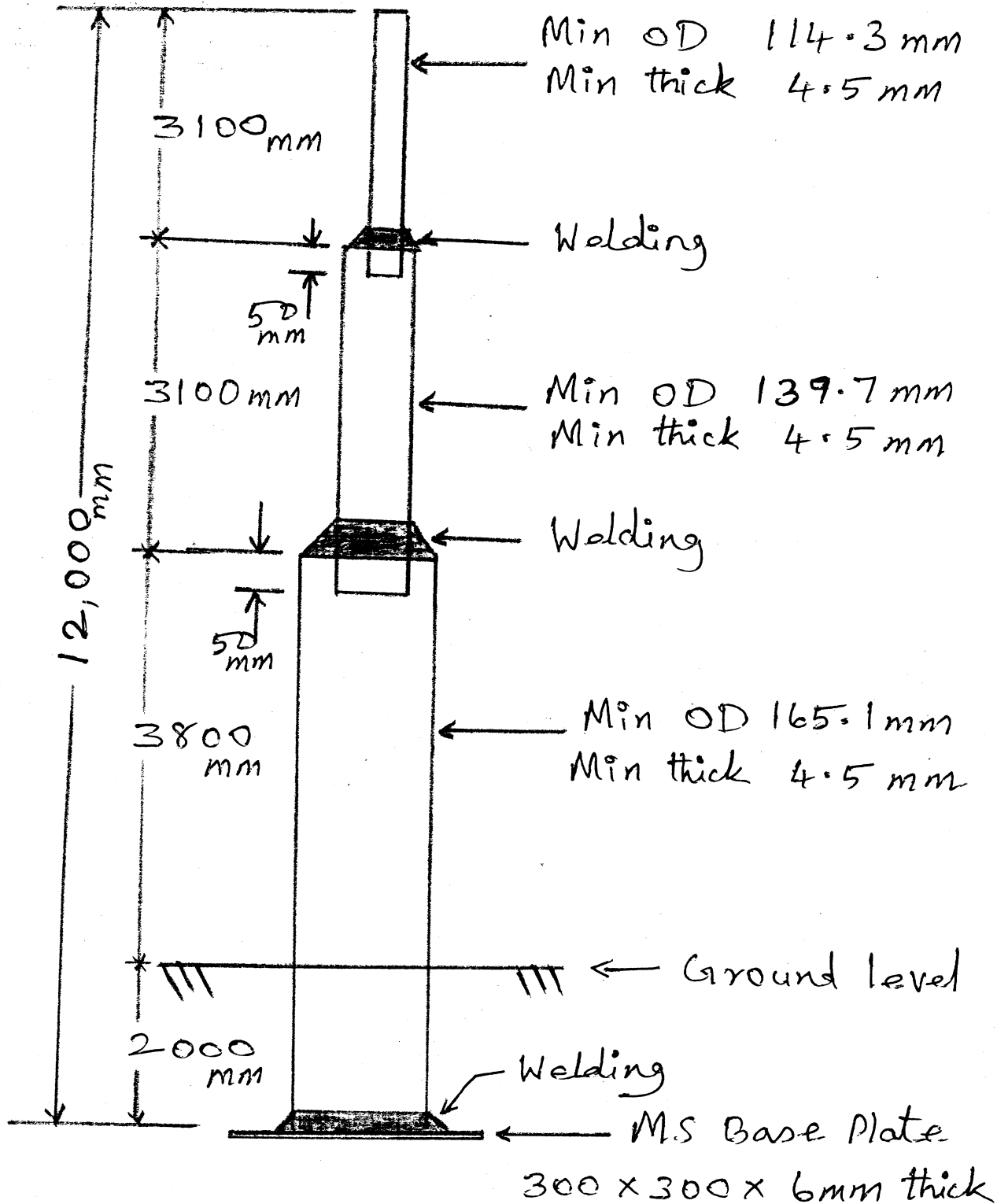


MS Tubular Pole Drawing

As per IS 2713 [Part I to III] 1980

Drg No: ES:M&S:1

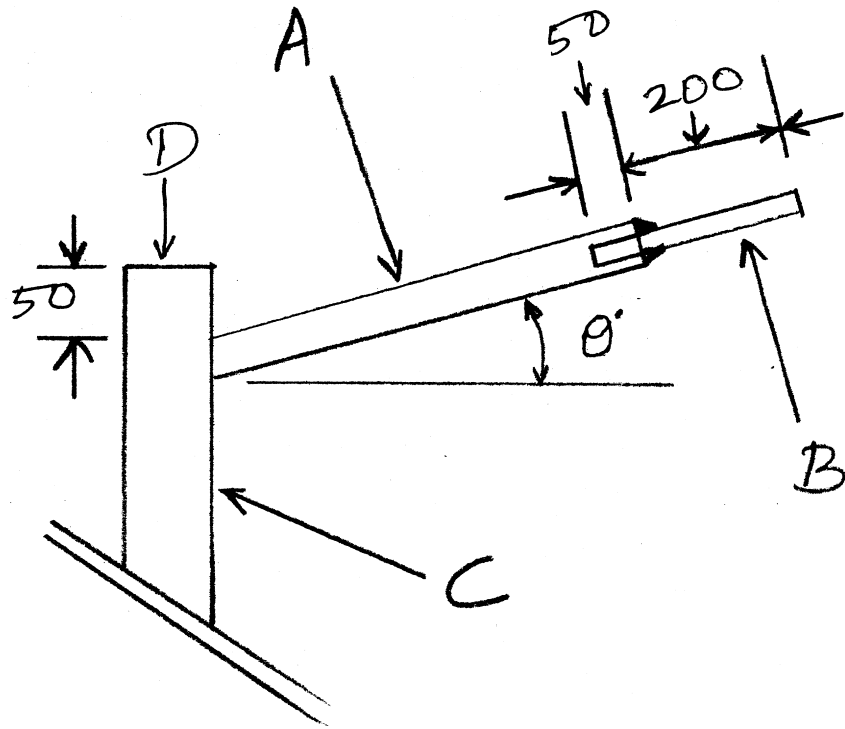


S. Muthukumar
S. MUTHUKUMAR
 Sr. Addl. Engineer - I
 Electrical Services / M&S
 BHEL / BAP / RANIPET - 632 406

MS Pipe Bracket Drawing

[To fix Road Light fitting]

Drg No: ES: M&S: 2A



Note:

1. A - MS pipe - 76.9ϕ , 3.25 mm thick, 1000 mm length
2. B - MS pipe - $50 \text{ mm } \phi$, 3.25 mm thick, 200 mm length
3. C - Existing MS pole
4. D - MS pipe top to be closed by using 3mm thick (min) MS plate.
5. θ - To be decided as per site conditions.

S. Muthu

S. MUTHUKUMAR
Sr. Addl. Engineer - I
Electrical Services / M&S
BHEL / BAP / RANIPET - 632 406.