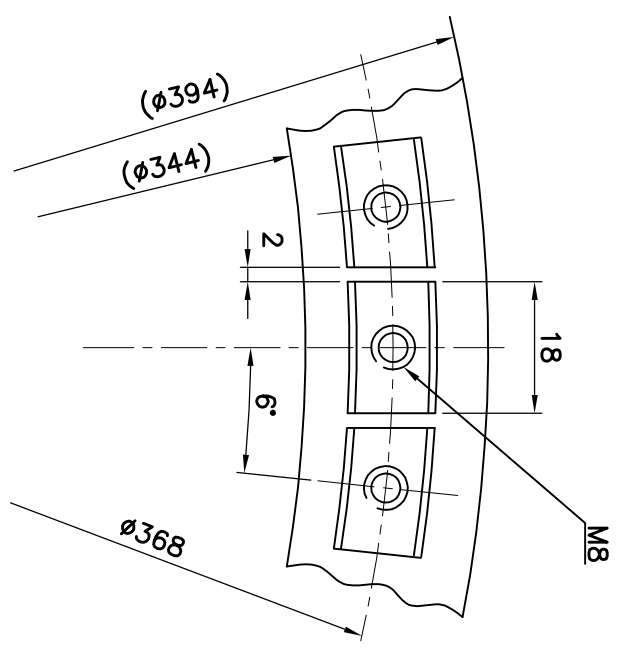
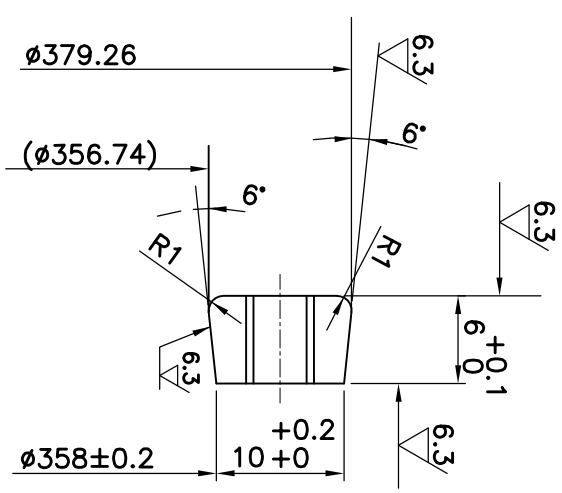


DRG. NO. 34450203005

THE INFORMATION ON THIS DOCUMENT IS THE PROPERTY OF BHARAT HEAVY ELECTRICALS LIMITED
IT MUST NOT BE USED DIRECTLY OR INDIRECTLY IN ANY WAY DETRIMENTAL TO THE INTEREST OF THE COMPANY

INVENTORY NO. SIGN. & DATE REF. DRG. NO. M10012209



VAR. NO.	OC	REMARKS	VAR. NO.	ITEM NO.	DESCRIPTION	STD.	DRAWING NO.	IT. NO. VAR.	MATL. CODE	MATL. SPECN.	A/C	UNIT	WT.	QTY.	ZONE
001			002		SOC. GRUB. SCREW M6x8-P12.9				AA7123123						
001			001		BALANCE WEIGHT 6TKXID 355x0/D 381				AA10108						

ADDITIONAL INFORMATION

STATUS OF DRAWING

DISTRIBUTION OF PRINTS

TME-1
TNX-1
TXM-3

REV. DATE

ALTERED
CHECKED
APPROVED

DEPT. TME
GRADE OF UN. TOL. DIM
SCALE NTS
WEIGHT (K.G.)

REF. TO ASSY. DRG.
2 445 02 03 001
1 445 02 03 002



BHARAT HEAVY ELECTRICALS LTD.
BHOPAL

DRN	NAME	SIGN	DATE	NO. OF VAR
CKD	A. JHARIA	<i>[Signature]</i>	04.08.11	01
APPD	D.K.	<i>[Signature]</i>	05.08.11	
	A.S.	<i>[Signature]</i>	05.08.11	

TYPE OF PRODUCT OR
NAME OF CUSTOMER/PROJECT
IM3601AZ

TITLE
**BALANCE WEIGHT FOR VENTILATOR
DE&NDE**

DRAWING NO. **34450203005**
SHT. No. 01 NO. OF SHT. 01