

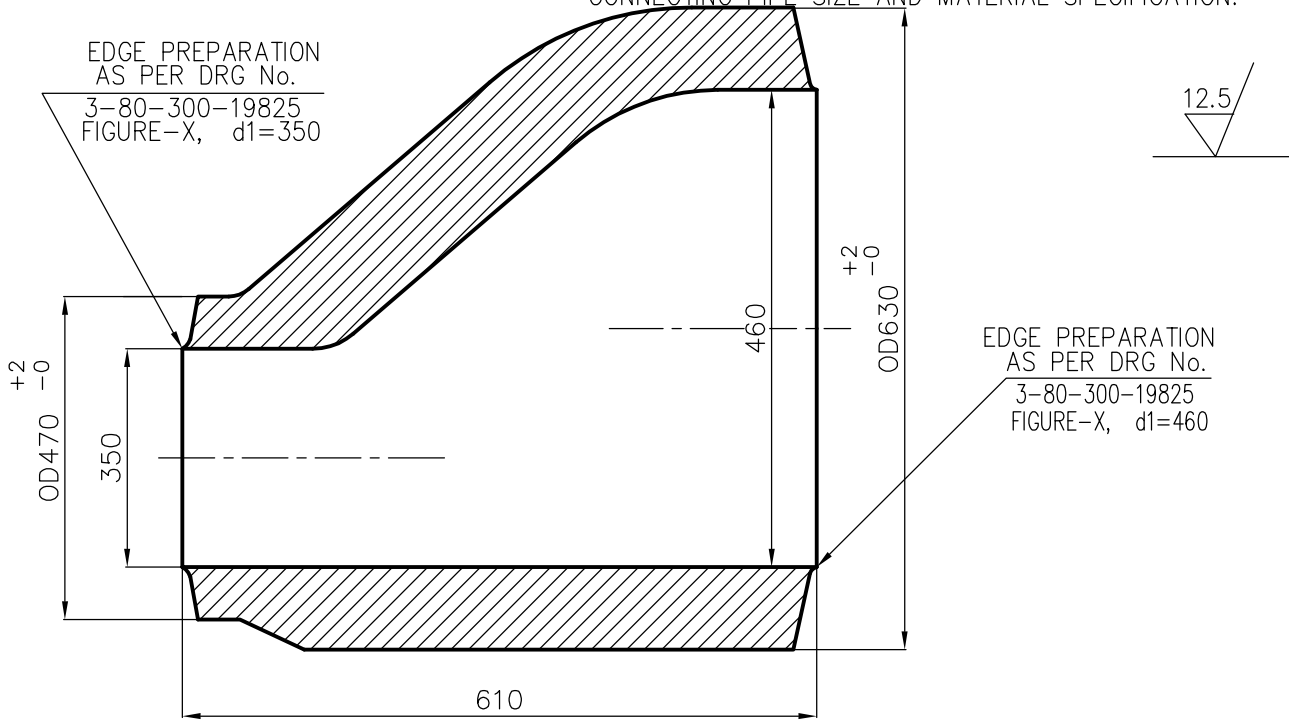
ALL DIMENSIONS ARE IN MILLIMETRES

REV	DATE	ALTERED
		APPROVED

NOTES:-

01. DESIGN PRESSURE : 269 Kg/Cm²(g)
02. DESIGN TEMPERATURE : 568° C
03. FITTING SHALL CONFORM TO ALL THE REQUIREMENTS OF ASME B16.9 & A 234(LATEST).
04. FOLLOW TDG.TDC.102.REV04
05. THIS DRAWING IS FOR INDICATING THE OVER ALL DIMENSIONS, CONNECTING PIPE SIZE AND MATERIAL SPECIFICATION.

CAUTION: The information on this document is the property of BHARAT HEAVY ELECTRICALS LTD. It must not be used directly or indirectly in any way detrimental to the interest of the company.



	ECCENTRIC REDUCER ID460X85 / ID350X60	92 117 568 0000	A	683 000
		SA 234 WP91		
VAR NO.	DESCRIPTION	MATL. CODE	A	UNIT.WT.(Kg)
		MATL. SPECN.	C	QTY.

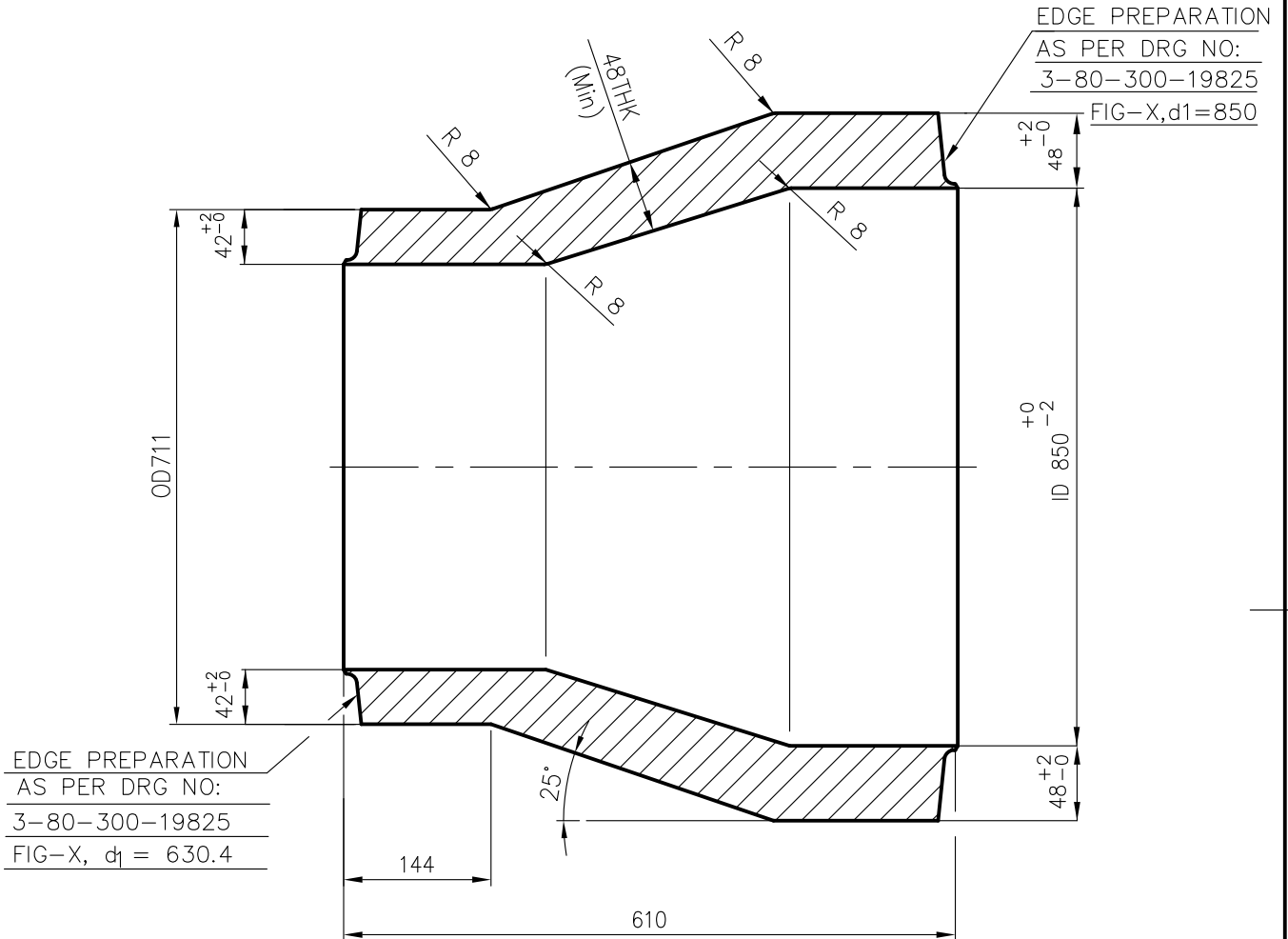
BHARAT HEAVY ELECTRICALS LIMITED PIPING CENTRE CHENNAI 600 017		NAME	SIGN	DATE	NO. OF VAR	
		DRN	LALIT	19.05.10		
		CHD	C.SARAVANAN	19.05.10		
		APPD	C.SARAVANAN	19.05.10		
DEPT	GRADE OF UNTOL. DIM	SCALE	WEIGHT (KG).	BHEL PO REF.NO:	ITEM NO.	NO. OF ITEMS
CODE	C / M / F	N.T.S	683.000			
TITLE			CARD CODE	DRAWING NO.	REV	
ECCENTRIC REDUCER (ID460X85 / ID350X60)SA234WP91			U 01	4-80-301-71071	00	

CAUTION: The information on this document is the property of BHARAT HEAVY ELECTRICALS LTD. It must not be used directly or indirectly in any way detrimental to the interest of the company.

NOTES :-


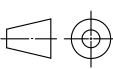
ALL DIMENSIONS ARE IN MILLIMETRES

- 01. DESIGN PRESSURE : 70 Kg/Cm²(g)
- 02. DESIGN TEMPERATURE : 601° C
- 03. FOLLOW TDG: 104
- 04. THE FINISHED MATERIAL CODE IS 92 117 829 0000



EDGE PREPARATION
AS PER DRG NO:
3-80-300-19825
FIG-X, d₁ = 630.4

	BW CONCENTRIC REDUCER ID850X48/OD711X42	92 117 829 0000	A	560 000
		SA 234 WP91		
VAR NO.	DESCRIPTION	MATL. CODE	A	UNIT
		MATL. SPECN.	C	DI
				UNIT.WT.(Kg)
				QTY.

		BHARAT HEAVY ELECTRICALS LIMITED PIPING CENTRE CHENNAI 600 017		DRN KONDAPA	NAME KONDAPA	SIGN 	DATE 10.06.13	NO.OF VAR
DEPT 	GRADE OF UNTOL.DIM C / M / F		SCALE N.T.S	WEIGHT (KG). 560.0	BHEL PO REF.NO:		ITEM NO.	NO. OF ITEMS
TITLE BW CONCENTRIC REDUCER ID850X48/OD711X42 (SA234WP91)				CARD CODE U 01	DRAWING NO. 4-80-310-77032			REV 00

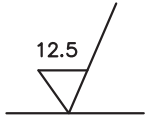
CAUTION: The information on this document is the property of BHARAT HEAVY ELECTRICALS LTD. It must not be used directly or indirectly in any way detrimental to the interest of the company.

REV	DATE	ALTERED
01		APPROVED

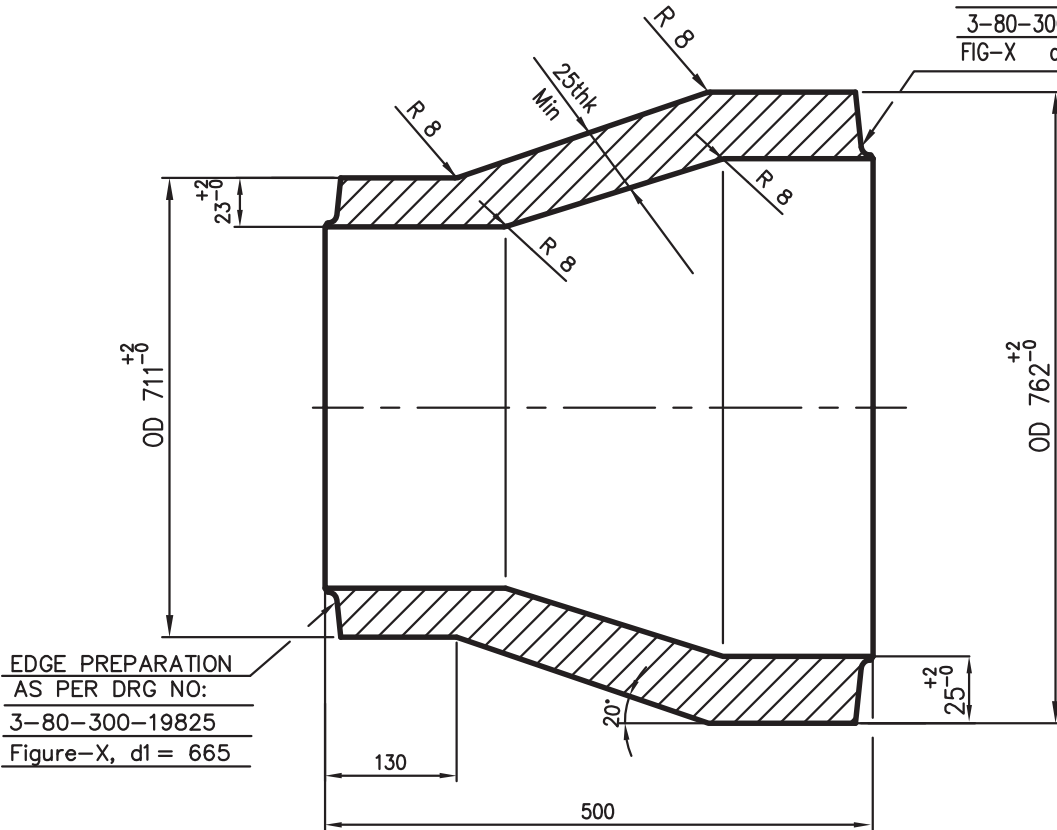
ALL DIMENSIONS ARE IN MILLIMETRES

NOTES :-

- DESIGN PRESSURE : 29.04 Kg/Cm² (g)
- DESIGN TEMPERATURE : 560° C



EDGE PREPARATION
AS PER DRG.NO:
3-80-300-19825
FIG-X d_f= 715.6



EDGE PREPARATION
AS PER DRG NO:
3-80-300-19825
Figure-X, d_f = 665

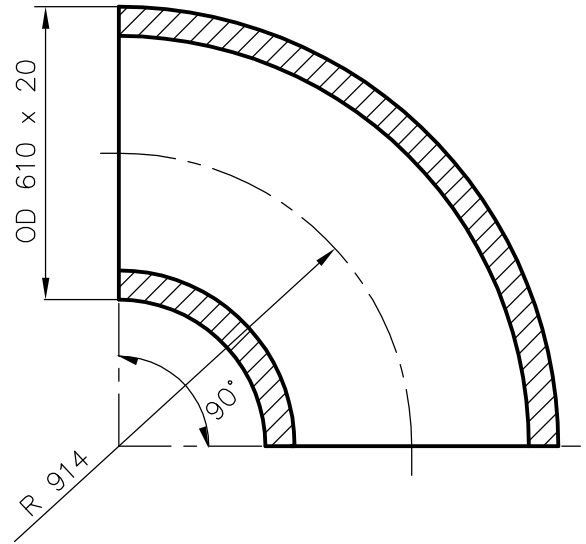
	REDUCER OD 762x25/OD711x23	92 117 505 0000	A	217 000
VAR NO.	DESCRIPTION	MATL. CODE	A/C	UNIT
		MATL. SPECN.	DI	QTY.
		SA234WP91		

	BHARAT HEAVY ELECTRICALS LIMITED		DRN	NAME	SIGN	DATE	NO.OF VAR
	PIPING CENTRE		CHD	SUDHAKAR		20.08.09	
	CHENNAI- 600 017		APPD	PARAM		20.08.09	
DEPT	GRADE OF UN.TOL.DIM	SCALE	WEIGHT (KG).	BHEL PO REF.NO:		ITEM NO.	NO. OF ITEMS
CODE	C / M / F	N.T.S	217.000				
TITLE			CARD CODE	DRAWING NO.			REV
REDUCER (OD762x25/OD711x23)			U 01	4-80-312-69328			00

ALL DIMENSIONS ARE IN MILLIMETRES

REV	DATE	ALTERED
01		APPROVED

DESIGN PRESSURE AT 573 °C : 49.4 Kg/sq.cm(g)
 RAW MATL SPECN.: SA 335 P91 (A).
 FITTING SPECN. : SA 234 WP91 (A).
 FINISHED FITTING MATERIAL CODE: 92 524 995 0000
 WEIGHT OF FINISHED FITTING: 418 kg.




NOTES: -

01. ALL DIMENSIONS ARE FINISHED DIMENSIONS.
02. FOR TOLERANCES REFER STANDARD DRG.4-80-301-26192.
03. MANUFACTURING, INSPECTION AND TESTING SHALL BE AS PER IBR, ASME B16.9 & SA234.
04. EDGE PREPARATION DETAIL SHALL BE AS PER DRAWING No: 3-80-300-19825 STYLE X, d1=572.6
05. O.D AT ANY SECTION SHALL BE WITHIN 606.0 TO 614.0 mm.
06. ACTUAL THICKNESS AT ANY POINT SHALL NOT VARY MORE THAN 12.5% OF THE NOMINAL THICKNESS (17.5mm to 22.5mm).
07. ALTERNATE RAW MATERIAL CAN ALSO BE USED.

STANDARD

PIPE OD 610 x 25 L=1836	15 958 124 5150	A	534.254
	SA 335 P91		
DESCRIPTION	RAW MATL. CODE	A	UNIT WT.
	MATL. SPECN.	C	QTY

 BHARAT HEAVY ELECTRICALS LTD PIPING CENTRE CHENNAI 600 017		NAME	SIGN	DATE
		DRN	BISWAS/SVRK	15.06.10
DEPT CODE		CHD	AP.MADHAVANKUTTY	15.06.10
		APPD	S.JAYAKUMAR	15.06.10
GRADE OF UNTOL DIM C / M / F	SCALE	WEIGHT (KG). 534.254	REF. TO ASSY./OLD DRG.	
TITLE BW LR 90 DEG. ELBOW OD 610x20 WP91		CARD CODE U 01	DRAWING NO. 4-80-999-93256	REV 00

CAUTION: The information on this document is the property of BHARAT HEAVY ELECTRICALS LTD. It must not be used directly or indirectly in any way detrimental to the interest of the company.