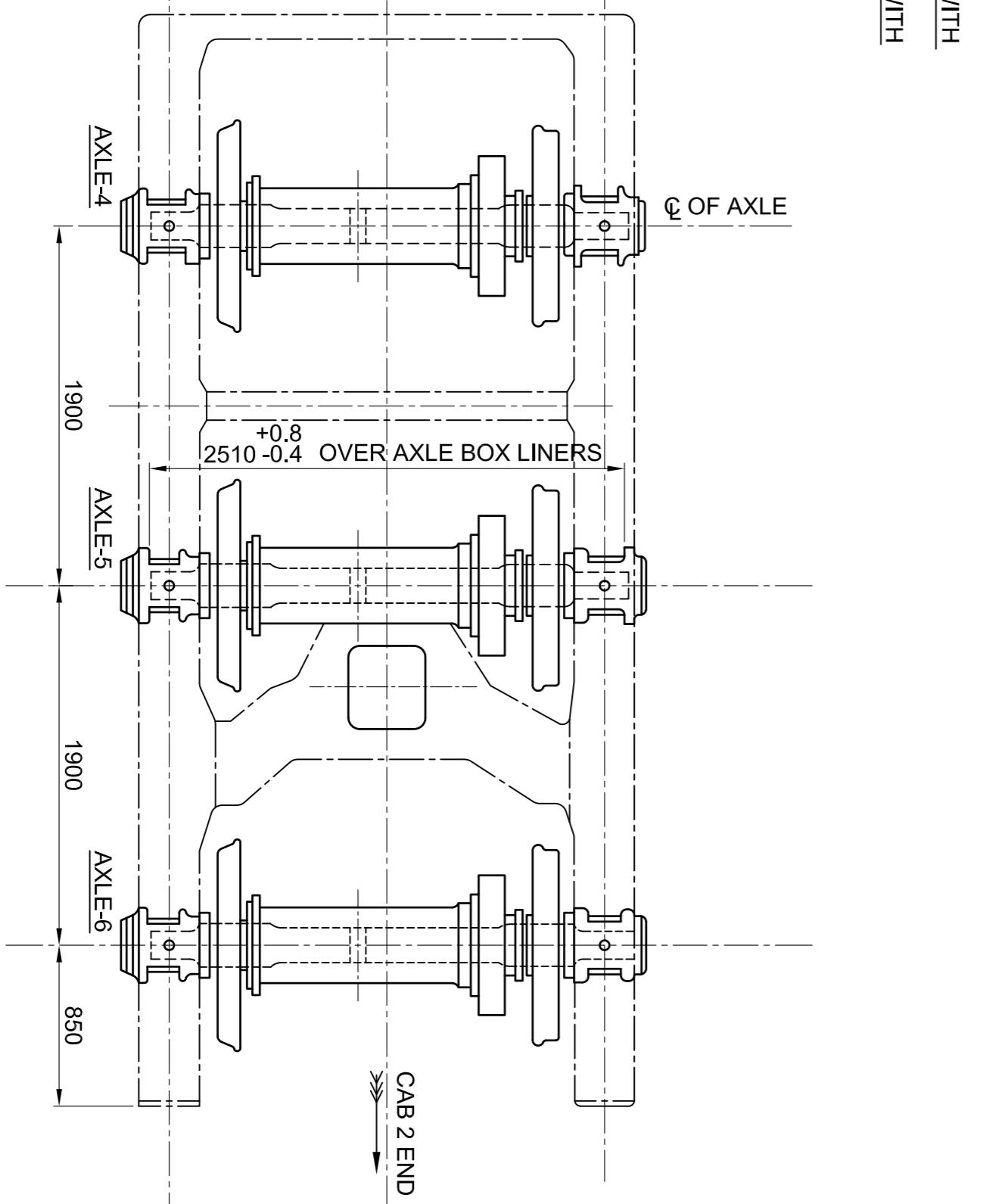
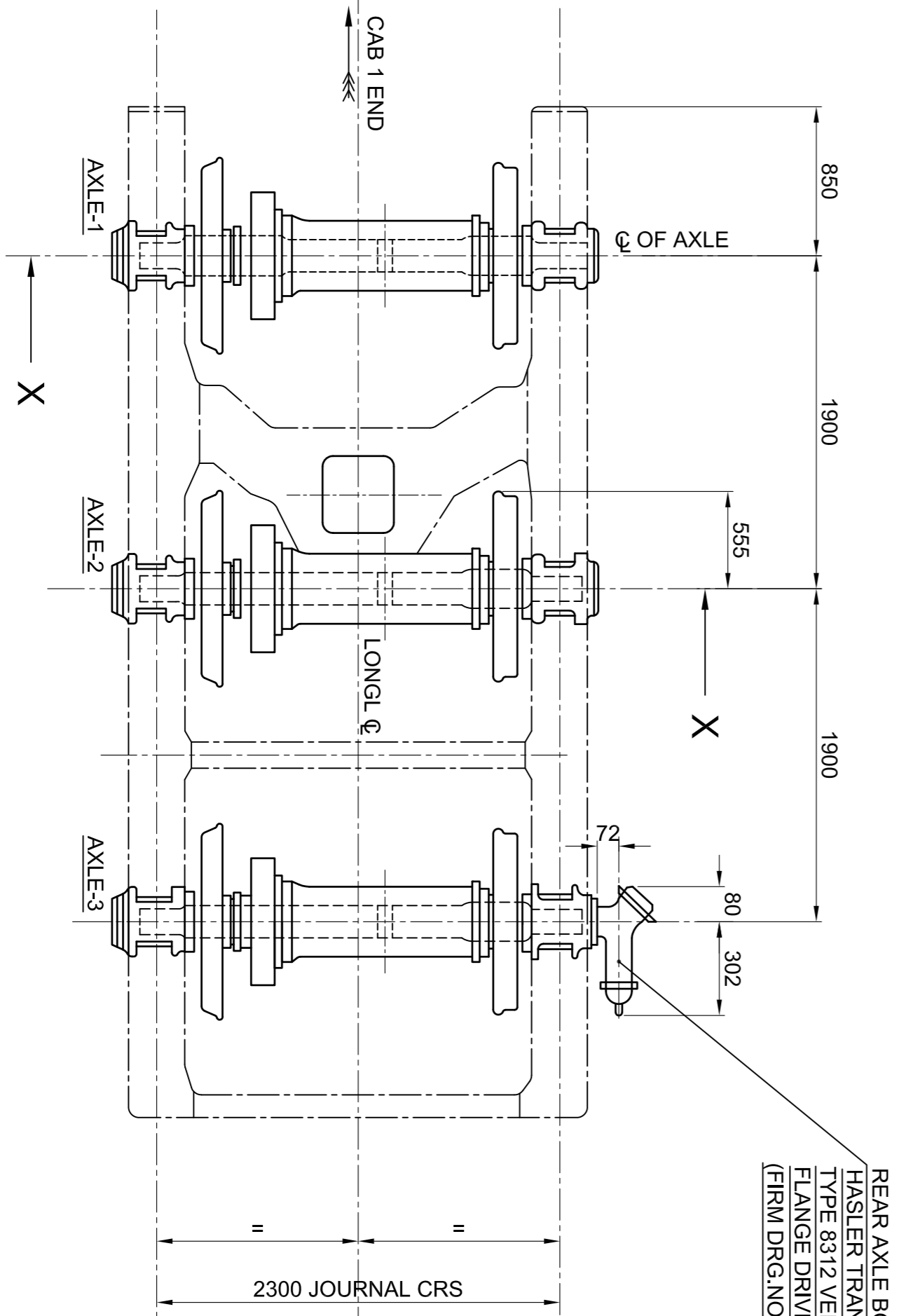


SECTION - 'X-X'



SYMBOL	NUMBER	DESCRIPTION	DATE	APPROVAL
IS:3073	N1	DRG. CORRECTED	17.10.08	WHEEL AXLE AXLE BOX ARRANGEMENT HITACHI TM - 15250 A
	N2	REF. NO. 6, 7, 23 DELETED AND REF. NO. 22 & 23 & NOTE 6 ADDED.	SD-	
	N3	DRG. CORRECTED	17.10.08	
	N4	DRG. CORRECTED	SD-	
	N5	DRG. CORRECTED	SD-	
	N6	C & D NO. CLASSIFIED	SD-	
	N7	LOGO ADDED	SD-	
	N8	LOGO ADDED	SD-	
	N9	LOGO ADDED	SD-	
	N10	LOGO ADDED	SD-	
1	DATE	15.1.30		
2	SCALE	1:5.130		
3	APPROVAL REF. NO.			

REF. NO.	C & D NO.	PART NO.	DESCRIPTION	MATERIAL	QUANTITY	REF. NO.	DESCRIPTION	MATERIAL	QUANTITY
23	P202/023	SK.DL. 4673	PINION	STEEL	6	23	PINION	STEEL	6
22	P202/022	SK.DL. 4372	GEAR	STEEL	6	22	GEAR	STEEL	6
21			ENCLASURE	STEEL	6	21	ENCLASURE	STEEL	6
20			ABUTMENT	STEEL	6	20	ABUTMENT	STEEL	6
19			SOCKET HD. CAP SCREW	STEEL	48	19	SOCKET HD. CAP SCREW	STEEL	48
18			SOCKET HD. CAP SCREW	STEEL	48	18	SOCKET HD. CAP SCREW	STEEL	48
17			M 12 X 90 LG.	STEEL	36	17	SOCKET HD. CAP SCREW	STEEL	36
16			END COVER (GEAR WHEEL END)	STEEL	6	16	END COVER (GEAR WHEEL END)	STEEL	6
15			BEARING (GEAR WHEEL END)	STEEL	6	15	BEARING (GEAR WHEEL END)	STEEL	6
14			BEARING (ROAD WHEEL END)	STEEL	6	14	BEARING (ROAD WHEEL END)	STEEL	6
13			ADJUSTING WASHER	STEEL	6	13	ADJUSTING WASHER	STEEL	6
12			BEARING HOUSING	STEEL	6	12	BEARING HOUSING	STEEL	6
11	P202/010		END COVER (ROAD WHEEL END)	STEEL	6	11	END COVER (ROAD WHEEL END)	STEEL	6
10	P202/009	06/4/117	OIL HOLE PLUG	STEEL	12	10	OIL HOLE PLUG	STEEL	12
9	P202/008	155M	GREASE NIPPLE (MALE)	STEEL	12	9	GREASE NIPPLE (MALE)	STEEL	12
8			TUBE	STEEL	6	8	TUBE	STEEL	6
7	P202/006	06/5/44/06	PINION	STEEL	6	7	PINION	STEEL	6
6	P202/005	06/2/11/05	GEAR	STEEL	6	6	GEAR	STEEL	6
5	P202/004	06/4/11/07	AXLE COLLAR	STEEL	6	5	AXLE COLLAR	STEEL	6
4	P201/000	06/1/11/4	AXLE BOX (END) ASSLY.	STEEL	4	4	AXLE BOX (END) ASSLY.	STEEL	4
3	P201/000	06/1/11/4	AXLE BOX (CENTRE) ASSLY.	STEEL	4	3	AXLE BOX (CENTRE) ASSLY.	STEEL	4
2	P202/003	06/1/11/17	WHEEL	STEEL	12	2	WHEEL	STEEL	12
1	P202/002	06/2/11/3	AXLE (FINISHED)	STEEL	6	1	AXLE (FINISHED)	STEEL	6
	P202/000		WHEEL AXLE AXLE BOX ARRANGEMENT	STEEL	6		WHEEL AXLE AXLE BOX ARRANGEMENT	STEEL	6

*SEE NOTE - 5

SEE NOTE - 5



CHITTARANJAN
LOCOMOTIVE
WORKS

REFERENCE DRG. NO.
RDSO DRG NO SK.DL. 4187

WHEEL AXLE
AXLE BOX ARRANGEMENT
HITACHI TM - 15250 A

USED FOR LOCO
WCM/6
WAG/7
5000HP

DRAWING NO.
06/11/11