

ENQUIRY NO. **1406004**

DT. 05.04.2014

DUE DATE: 11.04.2014

PURCHASE ENQUIRY (PART-I)

| | | |
|-----------|-------------------------------------------------------------------------------|------------------------------|
| To M/s | Our E-mail : dkbhagat@bhelpswr.co.in : amitks@bhelpswr.co.in | |
| | ENQUIRY No : | 1406004 |
| | ENQ.DATE | 05.04.2014 |
| | DUE DATE | 11.04.2014, 14.00 Hrs |

Dear Sir,

Kindly submit your sealed quotation by Speed Post / Registered Post / Courier / Air Mail in **two bids viz. (1) Technical cum Commercial Bid & (2) Price Bid** for the material indicated below confirming acceptance to the terms and conditions enclosed ,so as to reach our office on or before 2.00 PM on the due date. Quotation may be sent by Fax only if asked so by BHEL / with prior permission of BHEL.

| S.No | Description of Material | Unit | Qty | Delivery Schedule | Material Required at (Destination) |
|------|----------------------------------------------------------------------|-----------------|-----------------|-------------------------------------|-----------------------------------------------------------------------------------------------------------------------------------------------------------------------------------------|
| 01 | SUPPLY OF CS PIPES AND FITTINGS AS PER ANNEX-I, II & III. | AS PER ANNEX-I. | AS PER ANNEX-I. | Within 20 days from PO. date | CONSTRUCTION MANAGER, BHEL SITE OFFICE, ONGC PETRO ADDITION LIMITED, DAHEJ SEZ UNIT, PLOT NO. Z-1/Z-83, TALUKA- VAGRA DAHEJ INDL AREA: BHARUCH (GUJARAT) |

ENQUIRY NO. **1406004**

DT. 05.04.2014

DUE DATE: 11.04.2014

A) GENERAL TERMS AND CONDITIONS OF CONTRACT

| Cl. No. | DESCRIPTION |
|---------|----------------------------------------------------------------------------------------------------------------------------------------------------------------------------------------------------------------------------------------------------------------------------------------------------------------------------------------------------------------------------------------------------------------------------------------------------------------------------------------------------------------------------------------------------------------------------------------------------------------------------------------------------------------------------------------------------------------------------------------------------------------------------------------------------------------------------------------------------------------------------------------------------------------------------------------------------------------------------------------------------------------------------------------------------------------------------------------------------------------------------------------------------------------------------------------------------------------------------|
| 1) | <p>Technical cum Commercial Bid' and 'Price Bid' shall be sealed in two separate envelopes. Both these sealed envelopes shall bear distinct identification with regard to the type of bid and Enquiry number. These two sealed envelopes shall then be kept in a third envelope and superscripted with correct Enquiry No. and Due Date & time. The outer cover should be addressed to the issuing authority (as mentioned below) of this enquiry and shall also bear the name and address of the bidder.</p> <p>Address : AGM-PURCHASE BHARAT HEAVY ELECTRICALS LIMITED, POWER SECTOR WESTERN REGION, SHREE MOHINI COMPLEX, 345 KINGSWAY, NAGPUR-440001 (MAHARASHTRA)</p> <p>Tender should be free from OVERWRITING AND ERASURES. Bidder's authorized signatory must attest corrections, if any. All amounts shall be indicated both in words as well as in figures. Where there is difference between amount in figures and words, amount quoted in words shall prevail.</p> <p>It is the responsibility of bidder to submit their offer within due date & time as mentioned in this enquiry. BHEL shall NOT be responsible for any loss/damage to the offer submitted by the bidder.</p> |
| 2) | <p>Technical bid will be opened at 2.30 PM on Due Date. The Technical cum Commercial bid should accompany with a copy of this enquiry duly signed & stamped on all pages as a token of acceptance of Technical & Commercial T & C and copy of documents like authorized dealership certificate, earlier supply order details of similar equipment and their performance feedback from customers, company profile and present status, product catalogue of the models offered, technical specifications of the product, commercial Terms & Conditions and other relevant documents etc. Please fill up all the columns of all formats of this enquiry.</p> <p>Price bid should be submitted as per the 'Price Format' given in this enquiry. Quotations not accompanying filled in 'Price Format' are likely to be rejected. Terms and condition if any enclosed with price bid, shall not be considered. Tenders received as single bid indicating the price is liable to be rejected.</p> |
| 3) | <p>Price bid of technically accepted bidders only will be opened. No revision of prices will be entertained after Tenders are opened, unless mentioned in our enquiry / asked so by BHEL.</p> |
| 4) | <p>Manufacturer's name, Trade Mark or Patent No. if any, shall be specified in the Technical cum Commercial Bid</p> |
| 5) | <p>Please mention the relevant national / international standard code of the product quoted for in the Technical cum Commercial bid.</p> |
| 6) | <p>The purchaser shall be under no obligation to accept the lowest or any other tender and shall be entitled to accept or reject any tender in part or full without assigning any reason whatsoever.</p> |
| 7) | <p>Late tenders (received after Due Date) will be rejected.</p> |
| 8) | <p>Price quoted shall be valid for 60 days from the date of opening</p> |
| 9) | <p>Price shall be quoted as per enclosed 'Price Format' only. Quotations not accompanying filled in 'Price Format' are likely to be rejected. Please fill in all the columns of all formats</p> |
| 10) | <p>The price quoted should be as applicable to DGS & D (Govt. of India) and other Govt. Organizations. In case DGS & D rate / Running Contract is not existing, but a contract is in vogue with any BHEL Unit, reference of the same shall be furnished and same may be applicable to this contract.</p> |
| 11) | <p>SECURITY DEPOSIT: The supplier shall have to furnish Security Deposit (Cash/DD/Bank Guarantee from a Scheduled Bank) if so specified in the tender under Special Terms & Conditions.</p> |
| 12) | <p>PACKING AND MARKING: The supplier shall arrange for secure protective packing of the goods suitable for tropical conditions to avoid loss, damage, atmospheric action during handling and transit. The packing standards will comply with relevant national standard/carrier's conditions of packing or established practice. If any damage is sustained and the carrier or underwriter attributes it to improper packing, the seller shall be liable to replace the material or reimburse the value of the loss notwithstanding any transit insurance arranged by him or not. The following marking shall be made on each package in black bold letters. NAME & ADDRESS OF CONSIGNEE, DIMENSION OF PACKAGE, WEIGHT DETAILS: GROSS, TARE & NETT These markings should be stenciled or written in bold letters on the package. Should the package be small, suitable cards/metal tags giving these details may be tagged or nailed</p> |
| 13) | <p>INSPECTION: Final inspection will be carried out the destination/site/Purchaser's works by the authorized inspecting Officer, if so specified in the tender under Special Terms & Conditions. Whenever preliminary or</p> |

BHARAT HEAVY ELECTRICALS LIMITED
POWER SECTOR WESTERN REGION, NAGPUR

ENQUIRY NO. **1406004**

DT. 05.04.2014

DUE DATE: 11.04.2014

| | |
|-----|-------------------------------------------------------------------------------------------------------------------------------------------------------------------------------------------------------------------------------------------------------------------------------------------------------------------------------------------------------------------------------------------------------------------------------------------------------------------------------------------------------------------------------------------------------------------------------------------------------------------------------------------------------------------------------------------------------------------------------------------------------------------------------------------------------------------------------------------------------------------------------------------------------------------------------------------------------------------------------------------------------------------------------------------------------------------------------------------------------------------------------------------------------------------|
| | stage inspection is to be carried out at supplier's works the same is subject to final acceptance after receipt of the material at the destination/Purchasers works and the decision of the purchaser shall be final. The propriety of goods shall not pass until final acceptance by the purchaser |
| 14) | REJECTION: The seller shall intimate the purchaser in writing within 15 days (after being intimated about rejection of goods) regarding disposal action of the rejected material. If no advice is received within this time the purchaser shall be at liberty to return the material at the cost and risk of the seller after receiving the cost if any paid by the Purchaser including inward freight and other incidental charges. The Purchaser will not be responsible for the rejected material thereafter and no claim will rest on him. |
| 15) | Delivery: Purchaser shall not be liable to receive and pay for any supply made after delivery date stipulated in the order unless the delivery date is formally extended by the purchaser. Wherever the terms of delivery of the order is other than F.O.R. destination, delivery date will be reckoned as the date of dispatch or the date of readiness after inspection of the material where the Purchaser has agreed for inspection or collection. |
| 16) | Test certificate: The seller shall carry out such tests as prescribed by the purchaser / as required in accordance to the relevant national or international standards, in his works and/or and other places as stipulated in the order. Necessary test certificate shall be submitted with delivery of materials. The seller shall also provide at no extra cost the required number of catalogues, drawing and other manuals related to materials under this order. |
| 17) | TERMS OF PAYMENT: Payment will normally be made within one month of receipt of material in good condition at destination. Any other payment terms have to be mutually agreed. The seller shall send dispatch documents, invoice etc. in such quantum and a manner as provided in the order. (I) It is expressly understood that in the event of rejection of the materials for which payment has been made against document's through bank the Purchaser reserves the right to claim from the seller the amount paid and the incidental charged incurred in the same manner i.e. negotiating return dispatch documents, through Bank and the Seller shall honour such claim and retire the documents from the Bank. (ii) Bank charges for any payment claimed through Bank shall be borne by the seller and the seller shall also agree to bear any demurrage or other charges arising out of any delay in retirements or documents from Bank due to delayed, insufficient incorrect information furnished. (iii) The seller shall also ensure that the Carriers do not delay dispatch of the consignment once the carrier's receipt is obtained. |
| 18) | GUARANTEE WARRANTY: The materials shall be warranted for design material and workmanship and also for performance warranty as specially stipulated by the purchaser in the order in its annexure. |
| 19) | INSURANCE: Wherever specifically agreed to and directed, the supplier will insure the goods for all transit risks upto delivery of the goods at the final destination. In all other cases supplier must furnish particulars of dispatch for each consignment immediately after the dispatch of goods. Failure to do this will make the supplier responsible for making good any loss, which otherwise might have been recovered from underwriters. |
| 20) | DELIVERY FAILURE, TERMINATION & LIQUIDATED DAMAGE: The parties hereto agree that the timely dispatch/delivery and completion of the other schedules as stipulated in order/contract shall be the essence of the Order/Contract. If the seller/contractor fails to complete the dispatch/ delivery and other schedules within the time period stipulated in the order/contract, or within any extension of time granted by the purchaser, it shall be lawful for the purchaser to recover damages for the breach of order/contract without prejudice to any other rights and/or remedies provided for, in order/contract and hereunder. The purchaser reserves the right to recover from the Seller/Contractor, as agreed liquidated damages and not by way of penalty, a sum equivalent to half percent {½% of the total contract price per week part thereof, subject to a maximum of ten percent @ 10%} of the total contract price excluding elements of taxes, duties and freight, if seller/contractor has failed to deliver any part of the goods within the period stipulated in the Order/Contract. |
| 21) | The purchaser reserves the right to purchase from elsewhere on account of and at the risk and cost of the seller /contractor without notice to the seller /contractor of goods not so delivered or their equivalent , without canceling the order/contract in respect of the goods not yet due for delivery. The purchaser reserves the right to cancel the order/contract or a portion thereof for the goods not so delivered at the risk and cost of the seller/contractor and the seller/contractor shall be liable to the purchaser for any excess costs thereof. |
| 22) | RISK PURCHASE : In the event the supplier has failed to deliver or dispatch whole of the goods or any part within the time stipulated or if the same were not available in his stock, the best and the nearest available substitute thereof may be purchased/arranged by purchaser from elsewhere at the risk and the cost of the seller. The purchaser at his option will be entitled to terminate the contract and seller shall be liable for any loss which the purchaser may sustain by reason of such risk purchases in addition to penalty at the rate mentioned in clause 12 above. |
| 23) | PREFERENTIAL DELIVERY : It should be noted that if an Order is placed on a higher tenderer as a result of this invitation to tender, in preference to the lowest acceptable offer in consideration of the earlier |

ENQUIRY NO. 1406004

DT. 05.04.2014

DUE DATE: 11.04.2014

| | |
|-----|--------------------------------------------------------------------------------------------------------------------------------------------------------------------------------------------------------------------------------------------------------------------------------------------------------------------------------------------------------------------------------------------------------------------------------------------------------------------------------------------------------------------------------------------------------------------------------------------------------------------------------------------------------------------------------------------------------------------------------------------------------------------------------------------------------------------------------------------------------------------------------------------------------------------------------------------------------------------------------------------------------------------------------------------------------------------------------------------------------------------------------------------------------------------------------------------------------------------------------------------------------------------------------------------------------------------------------------------------------------------------------------------------------------------------------------------------------------------------------------------------------------------------------------------------------------------------------------------------------------------------------------------------------------------------------------------------------------------------------------------------------------------------------------------------------------------------------------------------------------------------------------------------------------------------------------------------------------------------------------------------------------------------------------------------------------------------------------------------------------------------------------------------------------------------------------------------------------------------------------------------------------------------------------------------------------------------------------------------------------------------------------------------------------------------------------------------------------------------------------------------------------------------------------------------------------------------------------------------------------------------------------------------------------------------------------------------------------------------------------------------------------------------------------------------------------------------------------------------------------------------------------------------------------------------------------------------------------------------------------------------------------------------------------------------------------------------------------------------------------------------------------------------------------------------------------------|
| | delivery, the seller will be liable to pay the purchaser the difference between the contract rate and that of the lowest acceptable tender on the basis of final price F.O.R. destination including all elements of freight, sales tax, duties and other incidentals in case of failure to complete supplies in terms of such contract within the date of delivery specified in the tender and contract. |
| 24) | This order or any part thereof shall not be sub-contracted without the purchaser's consent. |
| 25) | METRIC SYSTEM: Supplier is requested to indicate metric system measurements in all documents. |
| 26) | INDEMNITY: The Seller shall indemnify the Purchaser against any claim due to any breach of patent, negligence, defective material or injury to seller or his agent. |
| 27) | In the event of any reduction in the price, due to change of Govt. duties after award to the work and before delivery commencement, purchaser is entitled to such reduction and may negotiate fresh price at its discretion. |
| 28) | GENERAL: The purchaser reserves the right to split up the tender and place orders for individual item on different suppliers and also increase or decrease the quantity. |
| 29) | DISPUTES & ARBITRATION: All cases of disputes will be resolved according to the Indian Arbitration Act 1940 |
| 30) | FORCE MAJEUR: Acts of God, Acts of Government, War, Sabotage, Riots, Civil commotion, Police action, Revolution, Natural Calamities, Epidemic and other similar causes over which the supplier has no control, will amount to Force Majeure. Delay attributable to Force Majeure will be condoned; however the onus of establishing the reason of delay lies with the Supplier. |
| 31) | <p>Important Note:</p> <p>31.1) IF L-1 BIDDER IS OTHER THAN Micro and Small Scale Enterprises (MSEs). a) In tender, participating Micro and Small Scale Enterprises (MSEs) quoting price within price band of L1+15% shall also be allowed to supply a portion of requirement by bringing down their price to L1 price in a situation where L1 price is from someone other than a MSE and such MSE shall be allowed to supply up to 20% of total tendered value. In case of more than one such MSE (L1+15%), L-3 onwards bidders will be given opportunity to match the L-1 prices, provided their predecessors in terms of Price standing refuses to match L-1 prices. b) — c) Total tendered quantity shall be divided as follows: — In the ratio of 80:16:4 (if L-1 bidder is non MSE), where 80% order will be placed on L-1 bidder, 16% on MSE and 4% on MSE (owned by SC/ST) subjected to following conditions: • MSEs Matches L-1 price. • If no MSE owned by SC/ST has participated in the tendering process, portion earmarked (4%) will be awarded entirely to other MSE (not owned by SC/ST) i.e. total 20% will be awarded to them. d) If no MSE matches the L-1 price, than entire order shall be awarded to L-1 bidder.</p> <p>31.2) IF L-1 BIDDER IS Micro and Small Scale Enterprises (MSEs) (NOT OWNED BY SC/ST). In tender, participating MSEs, owned by SC/ST, quoting price within price band of L1+15% shall also be allowed to supply a portion of requirement by bringing down their price to L1 price. MSE (owned by SC/ST) shall be allowed to supply up to 20% of total tendered value/quantity. In case of more than one such MSE (L-1+15%), L-3 onwards bidders will be given opportunity to match the L-1 prices, provided their predecessors in terms of Price standing refuses to match L-1 prices.</p> <p>31.3) IF L-1 BIDDER IS Micro and Small Scale Enterprises (MSEs) (OWNED BY SC/ST). 100% order will go to the L-1 bidder.</p> <p>31.4) Participating MSEs should be registered with District Industries Centers or Khadi and Village Industries Commission or Khadi and Village Industries Board or Coir Board or National Small Industries Corporation or Directorate of Handicrafts and Handloom and their ownership is established in case they are claiming the portion earmarked for MSEs owned by SC/STs.</p> <p>31.5) Bidder who is claiming 4% of the quantity earmarked for MSEs owned by SC/STs are required to submit the documentary evidence to establish the ownership of MSE firm. a) — In case of proprietary MSE, proprietor(s) shall be SC/ST b) — In case of partnership MSE, the SC/ST partners shall be holding at least 51% shares in the unit. c) — In case of Private limited companies, at least 51% share shall be held by SC/ST promoters Bidder should also mention the same in their techno-commercial bid. After opening of Price bids no such claim shall be entertained.</p> <p>31.6) MSEs will be given tender documents free of cost and are exempted from payment of earnest money (EMD).</p> |

| | |
|-----|--------------------------------------------------------------------------------------------------------------------------------------------------------------------------------------------------------------------------------------------------------------------------------------------------------------------------------------------------------------------------------------------------------------------------------------------------------------------------------------------------------------------------------------------------------------------------------------------------------------------------------------------------------------------------------------------------------------------------------------------------------------------------------------------------------------------------------------------------------------------------------------------------------------------------------------------------------------------------------------------------------------------------------------------------------------------------------------------------------------------------|
| 32) | <p>Please Note:</p> <p>a) Interested bidders may collect hard copy of Tender documents from this Office on all working days.</p> <p>b) BHEL takes no responsibility for any delay/loss of documents or correspondences sent by courier/post.</p> <p>c) BHEL reserves the right to accept or reject any or all tenders without assigning any reasons whatsoever.</p> <p>d) Dates of Price Bid opening/Reverse Auction will be intimated to Techno Commercially Qualified Bidders later.</p> <p>e) All corrigenda, addenda, amendments and clarifications to Tender Specifications, revised Tender Submission Dates; etc will be hosted in the web page (www.bhel.com → Tender Notifications → View Corrigendum) and NOT in the newspaper. Bidders shall keep themselves updated on all such updates.</p> |
| 33) | <p>a) Seeking Clarifications on Tender Specification:</p> <ul style="list-style-type: none">• Clarifications on the Tender Specifications, if any, may be sought by the bidders so as to reach this office at least seven days before the Due Date for submission. <p>b) Supporting Documents:</p> <ul style="list-style-type: none">• Bidders shall submit documents in support of possessing “Qualifying Requirements” as under duly self-certified and stamped by the authorized signatory.• LATE TENDER: Tender received after the specified time of submission will be rejected.• Offers must be submitted without any deviation.• Offers received with any deviation or without relevant information as described above are liable to be rejected.• Price bids received in the form other than specified in Part-II (Price Bid) are liable to be rejected.• Bidder must sign & stamp all pages of this tender specification as an acceptance of tender conditions and must enclose this tender specification with their offer. |
| 34) | <p>Language:</p> <p>A) The tenderer shall quote the rates in English language and international numerals. These rates shall be entered in figures as well as in words. For the purpose of the tenders, the metric system of units shall be used.</p> <p>B) All entries in the tender shall either be typed or written legibly in ink. Erasing and over-writing is not permitted and may render such tenders liable for rejection. All cancellations and insertions shall be duly attested by the tenderer.</p> |
| 35) | <p>In case of any contradictions between General and special terms and conditions, the provisions in Special Terms & Conditions will prevail.</p> |

Engineer (PURCHASE)

ENQUIRY NO. **1406004**

DT. 05.04.2014

DUE DATE: 11.04.2014

B) SPECIAL TERMS AND CONDITIONS OF CONTRACT

| Cl. No. | Description |
|---------|----------------------------------------------------------------------------------------------------------------------------------------------------------------------------------------------------------------------------------------------------------------------------------------------------------------------------------------------------------------------------------------------------------------------------------------------------------------------------------------------------------------------------------------------------------------------------------------------------------------|
| 1) | Tender should be submitted in two parts (a) Technical bid comprising product catalogue, copy of relevant Indian Standards and Commercial Terms and conditions as enclosed. (b) Price bid in prescribed price format in a separate sealed envelope (Split up of Basic rate, Excise Duty, Sales tax / VAT must be furnished in the price bid). |
| 2) | Bidder should quote for all the items mentioned in this enquiry. Part quotation shall be rejected. |
| 3) | Materials should be supplied along with test certificate. Materials supplied without these documents shall not be accepted. |
| 4) | Quoted Rates: Bidders shall quote rates on F.O.R. Destination basis. Transit Insurance will be covered under Open Marine Insurance policy of BHEL. |
| 5) | OPaL Dahej site being SEZ project, is exempted from Excise duty for the goods supplied. Bidder must confirm in Techno-commercial Terms & Conditions sheet for supply of material without Excise duty and specify the documents required from BHEL which has to be arranged from customer (M/s OPaL) for duty exempted supplies. |
| 6) | Evaluation of Total Price: Offers will be evaluated based on total price at destination for all the items together offered by the vendor (i.e. total price at destination including taxes, duties and freight). |
| 7) | Bidder to submit " Un Priced Price format " duly filled and signed along with the technical bid. |
| 8) | Short Closure: BHEL may short close the contract at any stage without assigning any reasons. |
| 9) | Payment Terms: 100% within 45 days of receipt and acceptance of material at destination and on submission of complete documents to BHEL-PSWR Hqr., Nagpur through RTGS/NEFT. |
| 10) | OCTROI at destination: Applicable OCTROI at destination will be in BHEL account. However, bidder shall make the OCTROI payment and the same shall be reimbursed by BHEL on production of original OCTROI receipt. |
| 11) | The bidder has to mention the basic price, all other taxes, duties & freight only in Price format (Enquiry Part-II) given in page no.2 of Price Bid. |
| 12) | In case bidder fails to supply the material as per delivery schedule of this tender, LD shall be levied as per clause no.20 of GCC of this tender specification. |
| 13) | Pre dispatch inspection shall be carried out by BHEL engineer at supplier's works. Supplier has to make all test arrangements within the quoted rate. |
| 14) | BHEL reserves the right to reject or accept the tender without assigning any reasons whatsoever. |
| 15) | This is to inform you that BHEL has switched on to payment through Electronic Fund Transfer (EFT)/ RTGS. The following details are to be furnished by you pertaining to your Bank Accounts on company letter head endorsed by Bank , where proceeds will be transferred through our Banker: <div style="margin-left: 40px;"> Name of the Company Name of Bank Name of Bank Branch & Branch Code City Account Number Account type IFSC code of the Bank Branch MICR Code of the Bank Branch </div> |

Thanking you,

Yours faithfully,

For BHARAT HEAVY ELECTRICALS LTD.

Engineer (PURCHASE)

ENQUIRY NO. **1406004**

DT. 05.04.2014

DUE DATE: 11.04.2014

QUALIFYING REQUIREMENTS:-

| SL NO | QUALIFICATION REQUIREMENTS | Bidder must fulfill all the Qualifying Requirements as under in order to be considered as qualified against this Tender |
|-------|-----------------------------------------------------------------------------------------------------------------------------------------------------------------------------------------------------------------------------------------------------------------------------------------------------------------------------------------------------------------------------------------------------------------------------------------------------------------------------------------------------------------------------------------------------------------------------------------------------------------------------------------------------------------------------------------------------------------------------------------------------------------------------------|-------------------------------------------------------------------------------------------------------------------------|
| | | Page no of supporting document. Bidder must fill up this column as per applicability |
| A | Technical: In last three years, Bidder must have supplied CS Pipes OR CI Manhole covers as mentioned in enquiry to any Government, Semi Government/ any units/ regions of BHEL or any other Customer value not less than Rs. 9.1 Lakh , in atleast two purchase orders. | |
| B | FINANCIAL : | |
| | B-1) Net worth of the Bidder based on the latest Audited Accounts (FY 2012-13) should be positive (calculated only In case of companies) | |
| | B- 2) Bidder must have earned cash profit in any one of the three Financial Years (i.e. 2010-11, 2011-12 & 2012-13). | |
| | <p>Explanatory Notes for QR</p> <ol style="list-style-type: none"> The word 'supplied' means the bidder should have achieved the criteria specified in the QR even if the total contract has not been completed or closed. Bidder shall submit the Purchase Order copy along with proof of completion (i.e. - Completion Certificate/Performance certificate/Copy of Invoices of executed order/ LR Copies/Payment Advice etc.) for the PO in support of QR (A). <p>In case of audited Financial statements have not been submitted for all the three years as indicated against (B) above, then the applicable audited statements submitted by the bidders against the requisite three years, will be averaged for three years.</p> | |
| | The offers of the bidders who are on the banned list and also the offer of the bidders, who engage the services of the banned firms, shall be rejected. The list of banned firms is available on BHEL web site (www.bhel.com ---> Tender Notification -> List of Banned Firms) | |

Note: BIDDER SHALL SUBMIT ABOVE QUALIFICATION CRITERIA FORMAT, DULY FILLED-IN, SPECIFYING RESPECTIVE ANNEXURE NUMBER AGAINST EACH CRITERIA AND FURNISH RELEVANT DOCUMENT INCLUSIVE OF WORK ORDER AND WORK COMPLETION CERTIFICATE ETC IN THE RESPECTIVE ANNEXURES IN THEIR OFFER.

Yours faithfully,

For Bharat Heavy Electricals Ltd.

Engineer/PUR

ENQUIRY NO. **1406004**

DT. 05.04.2014

DUE DATE: 11.04.2014

CERTIFICATE OF NO DEVIATION

TENDER SPECIFICATION No. : 1406004

I/WE, M/s

HEREBY CERTIFY THAT NOT WITHSTANDING ANY CONTRARY INDICATIONS / CONDITIONS ELSEWHERE IN OUR OFFER DOCUMENTS, I/WE HAVE NEITHER SET ANY TERMS AND CONDITIONS NOR THERE IS ANY DEVIATION TAKEN FROM THE CONDITIONS OF BHEL'S TENDER SPECIFICATIONS, EITHER TECHNICAL OR COMMERCIAL, AND I/WE AGREE TO ALL THE TERMS AND CONDITIONS MENTIONED IN BHEL'S TENDER SPECIFICATION WITH ASSOCIATED AMENDMENTS & CLARIFICATIONS.

I/WE ALSO HEREBY CONFIRM ANY TERMS AND CONDITIONS RECORDED/SET BY US IN ANY PART OF THE TENDER AND ITS RELATED REFERENCE ARE CONSIDERED NULL AND VOID AND WITHDRAWN BY US.

SIGNATURE OF THE TENDERER

DATE:

ENQUIRY NO. **1406004**

DT. 05.04.2014

DUE DATE: 11.04.2014

TECHNO-COMMERCIAL TERMS & CONDITIONS: (PART OF TECHNICAL CUM COMMERCIAL BID)

| SN | DESCRIPTION OF T & C | TERMS & CONDITIONS AS QUOTED IN THIS TENDER |
|-----|--------------------------------------------------------------------------------------------------------------------------------------------|-------------------------------------------------------------------------------------------------------------------------------------------|
| 1. | DELIVERY TERMS | F.O.R. DESTINATION ONLY |
| 2. | PLACE OF DELIVERY | BHEL SITE OFFICE, ONGC PETRO ADDITION LIMITED, DAHEJ SEZ UNIT, PLOT NO. Z-1/Z-83, TALUKA- VAGRA DAHEJ INDL AREA: BHARUCH (GUJARAT) |
| 3. | DELIVERY PERIOD FROM THE DATE OF ORDER | Within 20 days from PO. |
| 4. | CURRENCY OF PAYMENT | INR |
| 5. | PACKING & FORWARDING CHARGES | INCLUSIVE IN BASIC COST |
| 6. | SUPPLY WITHOUT EXCISE DUTY (BEING SEZ PROJECT, SUPPLY WITHOUT EXCISE DUTY) | <input type="checkbox"/> YES <input type="checkbox"/> NO |
| 7. | DOCUMENTS REQUIRED FOR SUPPLY OF MATERIAL WITHOUT EXCISE DUTY FROM BHEL THAT HAS TO BE ARRANGED FROM CUSTOMER (TO BE SPECIFIED BY BIDDER). | 1) 2) 3) 4) 5) |
| 8. | EXCISE DUTY (% RATE) (If Applicable) | Included @ _____% (or) Extra@ _____% (or) NA |
| 9. | EXCISE INVOICE | SHALL BE PROVIDED/ NOT PROVIDED |
| 10. | VAT/CST WITHOUT CONCESSIONAL FORMS "C" / "D" (% RATE) | Included @ _____% (or) Extra@ _____% (or) Not Applicable NO "C" OR "D" FORM WILL BE ISSUED BY BHEL |
| 11. | OCTROI / ENTRY TAX AT DESTINATION | Extra, if applicable shall be paid by BHEL on submission of original receipt. |
| 12. | TRANSIT INSURANCE CHARGES | BY BHEL. SUPPLIER HAS TO INTIMATE THE DISPATCH DETAILS TO BHEL'S UNDERWRITERS AS SOON AS THE MATERIAL DISPATCHED. |
| 13. | ANY OTHER CHARGES (please specify here the nature of charge) | (AMOUNT TO BE SPECIFIED IN THE PRICE FORMAT) |
| 14. | MODE OF DISPATCH | BY ROAD / RAIL / SHIP / AIR / CARGO COURIER / SPECIAL MESSENGER / HAND DELIVERY |
| 15. | NAME OF THE GOODS MANUFACTURER/ PRINCIPALS | |
| 16. | TRADE NAME / MODEL NUMBER OF GOODS | |
| 17. | AUTHORIZED DEALERSHIP CERTIFICATE | CERTIFICATE OF MANUFACTURER/PRINCIPALS : ENCLOSED / NOT ENCLOSED |
| 18. | PRODUCT CATALOGUE / WRITE UP | ENCLOSED / NOT ENCLOSED |
| 19. | GUARANTEE/WARRANTY | NOT APPLICABLE |
| 20. | CONTACT PERSON NAME MOBILE NO. E-MAIL ID | |

- **This sheet should be duly filled, signed and sent as a part of technical bid. Otherwise the offer will not be considered for further processing.**
- **The details for commercial terms mentioned above shall be specified herein this sheet only. Any details/comments specified elsewhere shall not be applicable.**

SIGNATURE & SEAL OF TENDERER

ENQUIRY NO. **1406004**

DT. 05.04.2014

DUE DATE: 11.04.2014

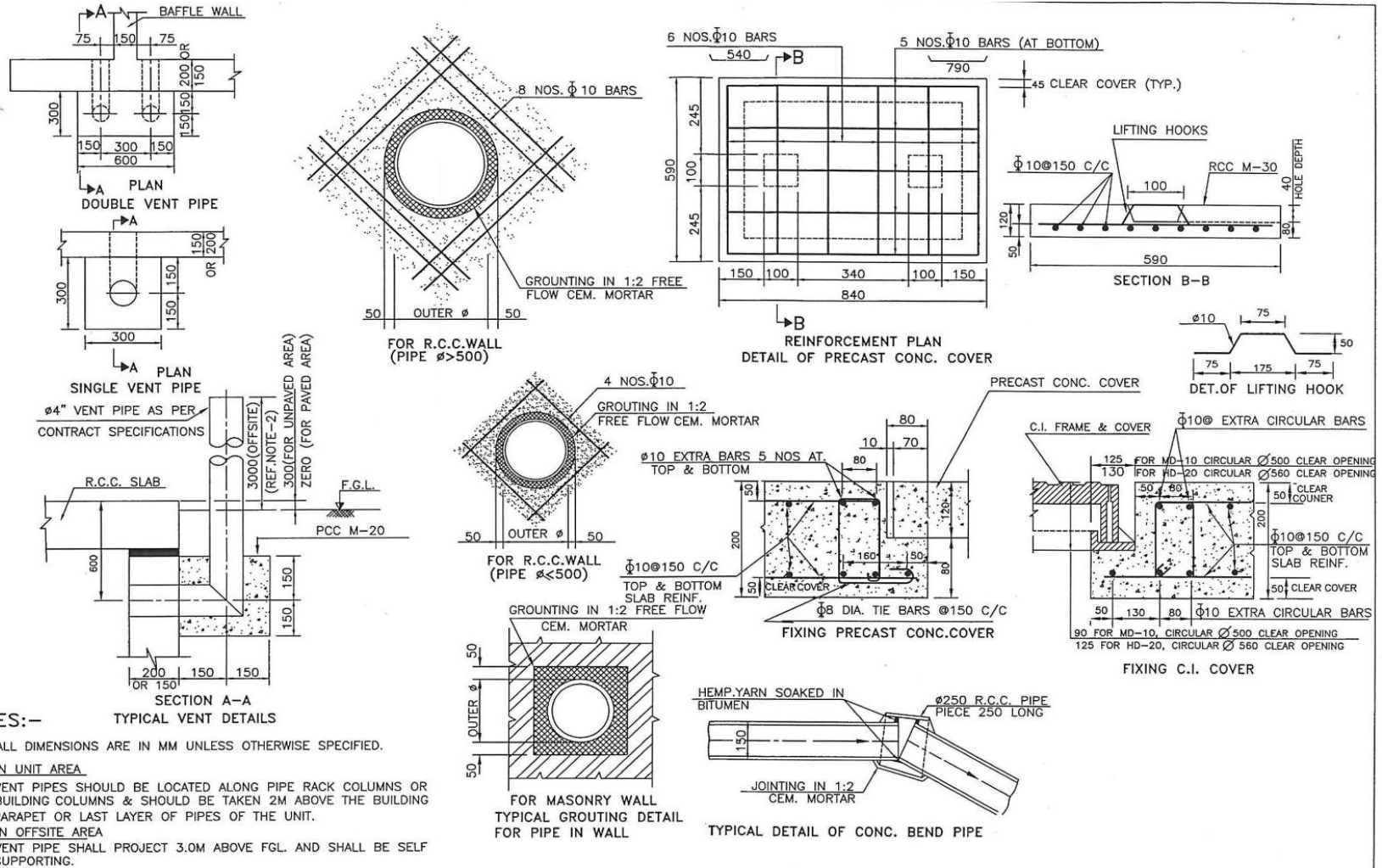
ANNEXURE-I

| SL. NO. | MATERIAL DESCRIPTION | UOM | QTY. | BIDDER'S CONFIRMATION |
|----------------|--------------------------------------------------------------------------------------------------------------------------|------------|-------------|------------------------------|
| 1 | 100 NB CS PIPE 114.3X6.02 MM THK, WEIGHT 16.1 KG/M, (SCHEDULE STD), EACH PIPE LENGTH 5 TO 8 MTR. | MTR. | 606 | |
| 2 | 90 DEG. CS ELBOW OF 100 MM DIA : AS PER SCHEDULE STD IN LINE WITH 100 NB CS PIPE | NOS. | 100 | |
| 3 | CI MANHOLE COVER (IS 1726) WITH FRAME OF HEAVY DUTY GRADE HD-20 CIRCULAR DIA 560 MM CLEAR OPENING (FOR OWS MANHOLE) | NOS. | 35 | |
| 4 | CI MANHOLE COVER (IS 1726) WITH FRAME OF HEAVY DUTY GRADE HD-20 CIRCULAR DIA 600 MM CLEAR OPENING (FOR SANITARY MANHOLE) | NOS. | 10 | |

NOTE:

- 1. ALL ITEMS SHOULD BE BIS MARKED.**
- 2. BIDDERS SHOULD SUBMIT THIS SHEET AS PART OF TECHNICAL BID CONFIRMING THE TECHNICAL ACCEPTANCE.**

ANNEXURE-II



NOTES:-

1. ALL DIMENSIONS ARE IN MM UNLESS OTHERWISE SPECIFIED.
2. IN UNIT AREA
VENT PIPES SHOULD BE LOCATED ALONG PIPE RACK COLUMNS OR BUILDING COLUMNS & SHOULD BE TAKEN 2M ABOVE THE BUILDING PARAPET OR LAST LAYER OF PIPES OF THE UNIT.
IN OFFSITE AREA
VENT PIPE SHALL PROJECT 3.0M ABOVE FGL. AND SHALL BE SELF SUPPORTING.

