 434-003	ENQUIRY (VALVES - INDIGENOUS)	BHARAT HEAVY ELECTRICALS LIMITED (A Government of India undertaking) HIGH PRESSURE BOILER PLANT PURCHASE DEPARTMENT/VALVES TIRUCHIRAPPALLI-620 014. TAMIL NADU (INDIA)	Phone:0431-2520112 / 0431-2577252 FAX : 0431-2520383 Email: kumudam@bheltry.co.in WEB: http://mm.bheltry.co.in	
		ENQUIRY NO.	DATE	DUE DATE FOR QUOTATION
		E-SSV-1103	04.04.2014	25.04.2014
		Please quote Enquiry No., Date and due date in all correspondences This is only a request for quotation and not an order.		
Item	Description	Unit	Delivery Quantity	Schedule Date
01	Supply of following ERV Solenoid assembly as per our drg. Attached and other terms and conditions.	No.	29	10.06.2014
02	ERV Solenoid assembly (Matl code 964161840000) As per specn attached (SV:020/02)	No.	1	10.06.2014
02	ERV Solenoid assembly (Matl code 964160540000) As per specn. attached (SV:015/00)	No.	1	10.06.2014
Offers should be sent to:- Admn Officer/Purchase/Valves III FLOOR, BUILDING 24 BHARAT HEAVY ELECTRICALS LIMITED TIRUCHIRAPALLI – 620014 TAMILNADU, INDIA				
NOTE: 1. Tenderer to specify the Delivery terms clearly in their offer. 2. LD is applicable as per Std. Terms 3. BHEL reserves the right to increase or reduce the Tender Qty				
The rate of Excise Duty and Sales Tax, Prevalent on the date of quotation, should be clearly indicated in the quotation itself. If these particulars are not provided, the quotation is liable for rejection.		Yours faithfully, For Bharat Heavy Electricals Limited Manager (Valves Purchase)		
Please, submit your lowest quotation in duplicate subject to our terms and conditions overleaf, for the above materials, so as to reach us on or before the due date by 14.30 hours. The offers should reach us before the time of opening of tenders. The offers will be opened at 14.30 hours on the due date in the presence of tenderers who may like to present .				
Late tenders are liable to be rejected.				

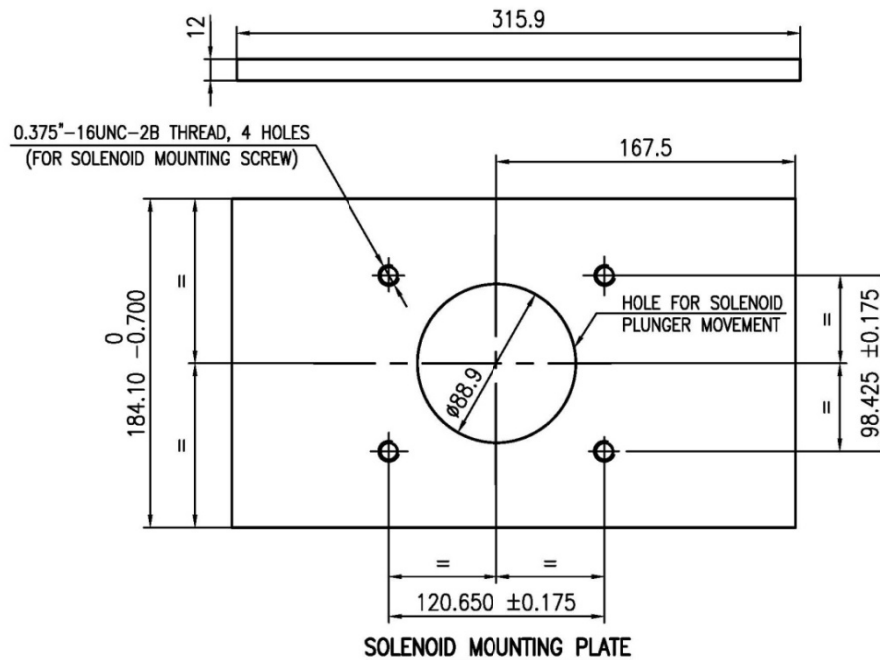


PURCHASE SPECIFICATION FOR SOLENOID FOR 1538VX or 1525VX ERV

1	Supply Voltage	220 to 230 Volts DC
2	Required Stroke	50.8 mm
3	Required Gross Load at Rated Voltage	30 kgf
4	Application	Continuous Duty
5	Insulation Class Number	A
6	Mounting Details	See the Sketch given below.
7	General Requirement	All the standard required quality tests and inspections are to be followed.

NOTES:

1. Certificate/Test report requirements should be as per applicable standard quality/testing requirements.
2. Applicable material identification procedure if any is to be followed.
3. The operating parameters like inrush current, holding current and recommended fuse details are to be furnished.



Comp. Code: 964160540000

Rev	Date	Altered	Rev	Date	Altered	Name	Signature
		Chkd & Appd			Chkd & Appd.	Prepared	V. Perumal Pillai
						Checked	S. Madhulingam
						Approved	E. Athiannavi
						Date	30-06-2010



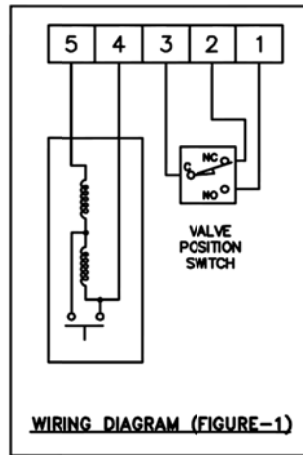
PURCHASE SPECIFICATION FOR SOLENOID ASSEMBLY FOR 1538VX or 1525VX ERV

The following are the details of Solenoid Assembly:

1. Data:

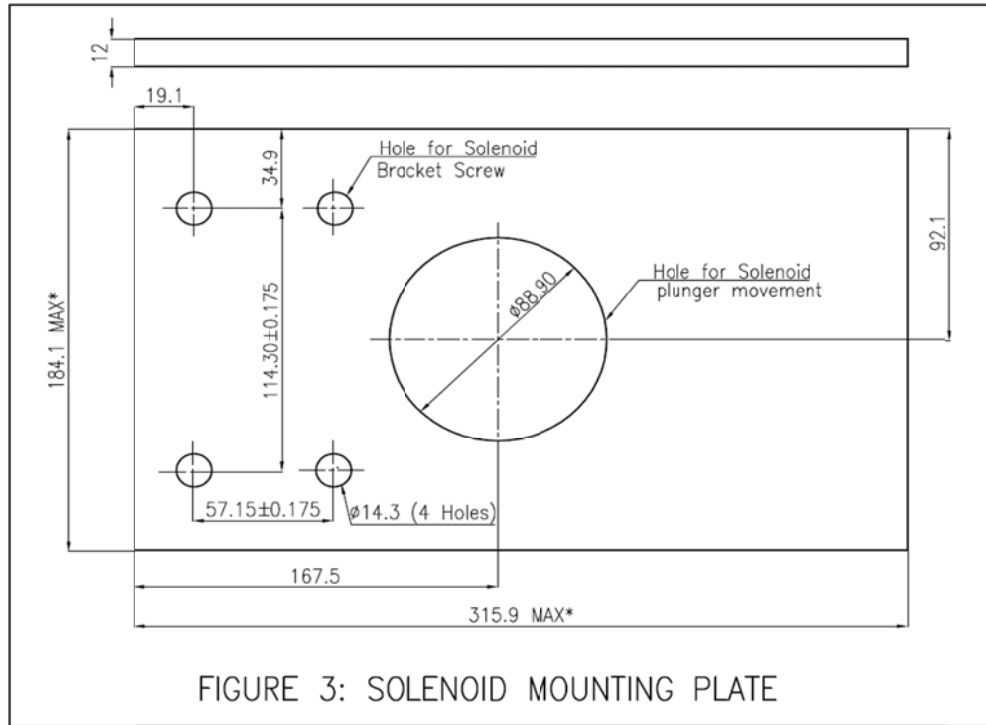
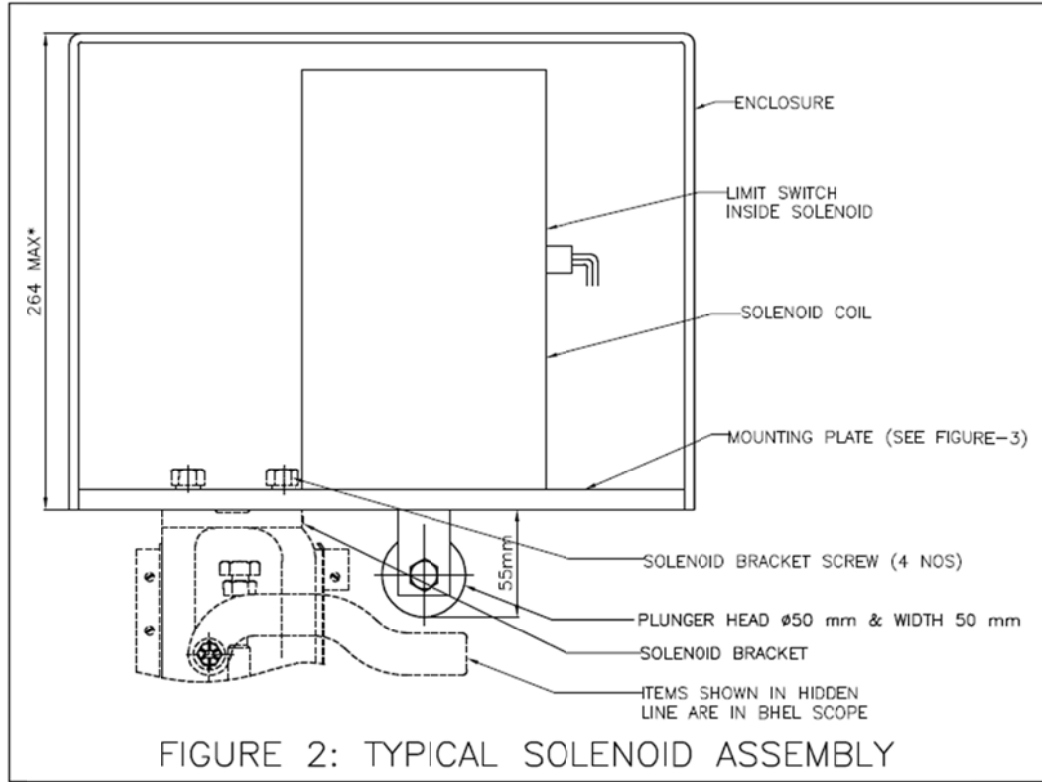
1	Supply Voltage	220 Volts DC
2	Required Stroke	50.8 mm (Push type)
3	Required Gross Load at 220V	30 kgf
4	Application	Continuous Duty
5	Insulation Class Number	F
6	Solenoid Enclosure	Weather proof to IP 65

- The solenoids should comply all the requirements of IS:8935 for General Purpose Class.
- Requirements of Certificates/Test reports (Type tests, Acceptance Tests and Routine Tests) should be as per IS:8935 standard
- The operating parameters like inrush current, holding current and recommended fuse details are to be furnished by the manufacturer
- Solenoid assembly (figure -2) shall consist of solenoid coil, limit switch, mounting plate (figure -3), terminal block and enclosure with internal wiring (refer figure-1).
- Solenoid enclosure shall have provision for easy opening to access the mounting plate for assembly with valve
- Limit Switch Details:**
Electrical Data Reference: 5 A, 230 VAC.
- Enclosure plate Details:**
Thickness – 2mm (min). Preferred material : IS1079 Fe330 (or) Equivalent



Comp. Code: 964161840000

Rev	Date	Altered : RR	Rev	Date	Altered : SM	Name	Signature
02	28-03-13	Appd. : EA	01	19-09-12	Appd. : EA	Prepared	Rabin R
Limit switch and Enclosure details added.			Plunger details added.			Checked	S. Madhulingam
						Approved	E. Athiannavi
						Date	04-04-2012



* The interface details should be as per this specification and the enclosure size and shape can be selected by vendor

Rev	Date	Altered : RR	Rev	Date	Altered : SM	Name	Signature
02	28-03-13	Appd. : EA	01	19-09-12	Appd. : EA	Prepared	Rabin R
Limit switch and Enclosure details added.						Checked	S. Madhulingam
						Approved	E. Athiannavi
						Date	04-04-2012



BHARAT HEAVY ELECTRICALS LTD

VALVES PURCHASE

Trichy - 620 014. India

GENERAL TERMS AND CONDITIONS-INDIGENOUS

1. QUOTATIONS:

- a. **BID system:** The offers are invited in Two part bid system (Part I will be Techno-commercial bid and part II will be Price Bid)
- b. **Submission of Tender:** Each offer should be sent in two cover separately for each bid and the same should be sealed and super scribed with correct Tender No., description & due date of opening. The outer cover should also bear the details of enquiry no. dt. And due date Two or more quotations should not be sent in one cover.
- c. **Late tenders:** Late tenders will not be considered under any circumstance.
- d. **Regulations:** Tenders should be free from CORRECTION AND ERASURES. Corrections if any must be attested. All amounts shall be indicated both in words as well as figures. Where there is difference between amount quoted in words and figures, amount quoted in words shall prevail.
- e. **Duties and Taxes:** If any Sales Tax is payable as extra to the quoted price, it should be specifically stated in quotation along with CST & T.N.G.S.T No. failing which the purchaser will not be liable for payment of Sales Tax. Our T.N.G.S.T No. 3550005 Dated 01-04-1995 C.S.T. No. 259383 Dt. 11.06.1991.
- f. **PVC:** Price Variation clause not acceptable. Prices should be firm.
- g. **Samples:** Samples should be submitted separately if specially requested in tender before due date of the enquiry. They should be clearly marked with the enquiry No and date on the outside cover to facilitate identification.
- h. **Deviation.** Any deviations from the specification are to be furnished separately as "Schedule of Deviation ".If there is no deviation vendor should indicate "No Deviation".
- i. **Confirmation:** Confirmation for compliance is to be given in the offer for all the techno commercial conditions specified in the specification.

2. COMMERCIAL TERMS & CONDITIONS:

- a. **Terms of Payment:**
 - **FOR Trichy:** Payment 100% after 45 days on satisfactory receipts and acceptance of matl at BHEL/Stores.
- b. **Liquidated Damage:** A sum equivalent to 0.5% of price for each week of delay up to a maximum of 10% of the total PO value.
- c. **Delivery Terms:** Price should be quoted FOR Designation as mentioned in enquiry inclusive of freight and insurance in transit.
- d. **Validity of Offer:** Prices should be valid for 120 days from the date of opening of this tender.
- e. **Taxes & Duties:** Excise duty, sales tax and other levies (if any) shall be indicated as extra in the offer.
- f. **Risk Purchase:** Alternatively the purchaser at his option will be entitled to terminate the contract and to purchase elsewhere at the risk and cost of seller either the whole of goods or any part which the supplier has failed to deliver or dispatch within the time stipulated as aforesaid or if the same were not available, the best and the nearest available substitute therefore. Supplier shall be liable for any loss which the purchaser may sustain by reason for such risk purchases in addition to penalty.
- g. **MODVAT/CREDIT:** If any Excise Duty is payable, the chapter head/sub-head reference and the rate of the duty should be quoted. If the tender is availing MODVAT credit for his input materials, the effect of proforma invoice should be passed on to the purchaser; tenderer under MODVAT shall be preferred.
- h. **Miscellaneous:** Any conditions which might have been quoted by the seller and are in contravention to the terms prescribed in order and which have not been specifically accepted by Purchaser will not be applicable to the contract.
- i. **Delivery period:** Delivery schedule shall be strictly as per BHEL tender requirement which are as indicated against each item in our tender. If supplier offers more than this delivery period BHEL will operate 0.5% loading factor for evaluation of their offer for every week delay.

3. GENERAL CONDITIONS

- a. BHEL reserves the right to finalize the tender as per item sl no wise or as a total package or project wise. Separate orders will be released for each project and documents should be supplied for each order separately.
- b. BHEL reserves the right to increase or reduce or split the Tender Quantity and to NOT to order for some or all material based on the changes in project.



BHARAT HEAVY ELECTRICALS LTD

VALVES PURCHASE

Trichy - 620 014. India

GENERAL TERMS AND CONDITIONS-INDIGENOUS

- c. BHEL shall have the right to visit vendor works during the execution of contract along with end customer for verifying status, inspection and testing of the material.
- d. BHEL reserves the right to negotiate or re-float the tender in case the quoted prices are not acceptable.
- e. Supplier shall arrange packing to avoid lose or damages during Road Transport, Site handling & Storage.
- f. Purchase Order, PO Item SI No, Material code, Quantity should marked the Packing clearly.
- g. BHEL reserves the right to finalize the tender either through price bid opening or through Reverse Auction route.
- h. BHEL reserves the right to reject the offer of a particular bidder due to unsatisfactory past performance in the execution of a contract at any of BHEL projects / units.
- i. The Drawings and Technical documents given in this enquiry are the sole property of BHEL.. This should not be misused in any form.

4. DOCUMENTATION:

- a. **With Consignment:** Original duplicate for transporter copy, Invoice, Packing List, Delivery Challan, Test Certificate, Calibration Report, Compliance Certificate, Guarantee/Warranty Certificate etc...
- b. **To Finance:** Original and Duplicate Invoice for payment should be sent directly to
[Senior Manager](#)
[Finance/Valves-Bills section](#)
[BHEL TRICHY 620014](#)
- c. **To Purchase:**
 - i. **FOR BHEL TRICHY case-** Copy of Invoice, Packing list, LWB and Delivery challan.
- d. **Identification:** Material code, Purchase Order, PO item SI No, Unique SI No if any should be provided in all despatch documents, materials and packing clearly.

5. TENDER EVALUATION:

PART I Techno-commercial Bid.

- Point by point technical confirmation of all pages of our technical specifications and commercial conditions are required with your sign and seal along with techno commercial Offer.
- Filled Annexure 4A should be submitted.
- Offers from supplier not having technical capability or not agreed for commercial terms, will be rejected

PART II Price Bid.

- Bidders qualified for both part I and part II will be intimated for participating in priced bid opening/Reverse Auction.
- L1 bidder will be decided based on landed cost for the equipment to BHEL..
- Price Bid should be in BHEL format Annexure 4D
- For evaluation, the exchange rate shall be taken as TT selling rate of SBI on date of Part-1 bid opening.



Bharat Heavy Electricals Ltd.

Valves Purchase
Trichy - 620 014. India

BHEL Enquiry No. E-SSV-1103

Date : 02.04.2014

Sl No	<u>BHEL COMMERCIAL TERMS AND CONDITIONS for INDIGENOUS SUPPLIES</u>	Vendor's Confirmation
1	Vendor should give confirmation to BHEL's Technical Specification. Any deviations from the specification are to be furnished separately as "Schedule of Deviation". If there is no deviation vendor should indicate "No Deviation".	
2	Vendor to indicate Quoted/Not Quoted item wise as per the format (Annexure 3B) enclosed.	
3	Prices shall be quoted item wise only as per the format (Annexure 3C) enclosed.	-
4	Prices shall be quoted on " FIRM PRICE " basis only. The prices should be only on FOR Site basis inclusive of Packing & Forwarding charges if any.	
5	Validity of offer shall be for a minimum period of 120 days from the date of Tender opening	
6	Delivery period from the date of Letter of Intent/Purchase order shall be clearly mentioned in the offer.	
7	Liquidated damages @ ½% per week subject to a maximum of 10% of the order value shall be applicable for the total PO value.	
8	Following Risk Purchase clause shall be applicable: The Purchaser at his option will be entitled to terminate the contract and to purchase elsewhere at the risk and cost of the seller either the whole of the goods or any part which the supplier has failed to deliver or dispatch within the time stipulated or if the same were not available, the best and the nearest available substitute therefore. The supplier shall be liable for any loss which the Purchaser may sustain by reason of such risk purchases.	
9	Payment terms 100% after 45 days against despatch documents. No other payment term is acceptable to BHEL.	
10	Excise duty, sales tax and other levies (if any) shall be indicated as extra in the offer.	
11	Submission of Performance Bank Guarantee (PBG): Vendor should provide a performance bank guarantee(PBG) for 10% of the total Purchase order value valid for a period of 12 months from the date of commissioning (or) 18 months from the date of dispatch whichever is earlier with an additional claim period of 2 months. This PBG shall form part one of the documents for effecting the 100% payment.	-
12	Any warranty replacement during warranty period shall be supplied free of charge on FOR Site basis/destination specified by BHEL	
13	The equipment shall be guaranteed for a period of 12 months from the date of commissioning.	
14	The vendor shall provide necessary drawings, Test Certificates and Operating Maintenance Manuals as called for in the Technical Specification, in the required number of copies at no extra cost.	
15	Offers should be submitted only in sealed cover super-scribing clearly the Enquiry reference and due date.	

NOTE:-

- It is confirmed that all the terms and conditions stipulated in the Enquiry have been fully understood by us and all clarifications & details have been obtained.
- Your specific acceptances to BHEL Payment terms, LD & Risk Purchase Clause of the order value are essential for consideration of your offer. Other wise your offer is liable for rejection.

Signature & Office Seal of the vendor