

**BHARAT HEAVY ELECTRICALS LIMITED**

[A Government of India Undertaking]

Ramachandrapuram, Hyderabad, 502032, A.P. India
Phone 040-23184526, 23182322 FAX:040-23021910, 1954**भारत हेवी इलेक्ट्रिकल्स लिमिटेड**

(भारत सरकार का उपक्रम)

रामचन्द्रपुरम, हैदराबाद, 502032 आंध्र प्रदेश, भारत

RFQ NO :

PURCHASE DEPARTMENT**ENQUIRY****क्रय विभाग**

जांच (ई मेल : tenderbox@bhelhyd.co.in)

SHEET:1

OF :2

HY17001 C
REV.NO.0Phone 091-40-23184526
091-40-23182322FAX : 091-40-23021910
091-40-23021954**PURCHASE DEPARTMENT**

Enq/Collective Number :P6A1O16200

Enquiry Date: 08.10.2015

No of items: 9

Due date of Quotation submission: 29.10.2015

Please submit your lowest quotation in sealed cover superscribed with Enquiry No./Collective No.(RFQ No) and due date subject to our terms and conditions attached ,for the materials mentioned below.Your offer has to reach us onor before due date by 11.00 Hours (IST) and will be opened at 14.00 Hours.(IST).If our Enquiry No./Collective No.(RFQ No) and tender due date are not super scribed on the tender cover , your offer shall be summarily rejected.Whosoever desires to send offers on their own risk (complete in all respects) via e-mail have to send offers to the common e-mail address : tenderbox@bhelhyd.co.in . Incomplete offers and late offers will not be considered.

SL NO	Purchase Req.no	Item no	Material Code	Drg no - Ver , Rev & Spec - Ver , Rev	Description	Unit	Qty	Delivery Date	Schedule Qty
1	5000016200	10	HY6811171014	, HY6811171,00	LEVELING JACKS WITH CONICAL POINT AS PER BHEL CO.STD:7600781 HEIGHT "V" min : 63MM	EA	30.000	31.12.2015	30.000
2	5000016200	20	HY6811171022	NA, NA,	LEVELING JACKS WITH CONICAL POINT AS PER BHEL CO.STD:7600781 HEIGHT "V" min : 80MM	EA	30.000	31.12.2015	30.000
3	5000016200	30	HY6811171030	, HY6811171,00	LEVELING JACKS WITH CONICAL POINT AS PER BHEL CO.STD:7600781 HEIGHT "V" min : 105MM	EA	30.000	31.12.2015	30.000
4	5000016200	40	HY6811171049	, HY6811171,00	LEVELING JACKS WITH CONICAL POINT AS PER BHEL CO.STD:7600781 HEIGHT "V" min : 130MM	EA	30.000	31.12.2015	30.000
5	5000016200	50	HY6811171057	, HY6811171,00	LEVELING JACKS WITH CONICAL POINT AS PER BHEL CO.STD:7600781 HEIGHT "V" min : 170MM	EA	20.000	31.12.2015	20.000
6	5000016200	60	HY6811171065	, HY6811171,00	LEVELING JACKS WITH CONICAL POINT AS PER BHEL CO.STD:7600781 HEIGHT "V" min : 230MM	EA	20.000	31.12.2015	20.000
7	5000016371	10	HY6841900979	, HY6841900,00	DRIFTS FOR RELEASING SELF HOLDING TAPER SHANKS AS PER BHEL CO.STD.NO: 7603632XXX NOMINAL SIZE:5	EA	100.000	31.12.2015	100.000
8	5000016371	20	HY6841900987	,	DRIFTS FOR RELEASING SELF HOLDING TAPER SHANKS AS	EA	100.000	31.12.2015	100.000

TEST CERTIFICATE REQD:
GUARANTEE REQ :
SAMPLE REQD :
BID TYPE : TWO PART

For and on-behalf of
Bharat Heavy Electricals Limited.

Basini Bikash

	BHARAT HEAVY ELECTRICALS LIMITED [A Government of India Undertaking] Ramachandrapuram, Hyderabad, 502032, A.P. India Phone 040-23184526, 23182322 FAX:040-23021910, 1954	भारत हेवी इलेक्ट्रिकल्स लिमिटेड (भारत सरकार का उपक्रम) रामचन्द्रपुरम, हैदराबाद, 502032 आंध्र प्रदेश, भारत	RFQ NO :	PURCHASE DEPARTMENT ENQUIRY क्रय विभाग जांच (ई मेल : tenderbox@bhelhyd.co.in)	SHEET:2 OF :2
	PURCHASE DEPARTMENT				

HY17001 C REV.NO.0	Phone 091-40-23184526 091-40-23182322	FAX : 091-40-23021910 091-40-23021954	PURCHASE DEPARTMENT	
Enq/Collective Number :P6A1O16200		Enq.Date : 01.10.2015	No.Of Items : 1	DUE DATE OF QUOTATION : 21.10.2015

Please submit your lowest quotation in sealed cover superscribed with Enquiry No./Collective No.(RFQ No) and due date subject to our terms and conditions attached ,for the materials mentioned below.Your offer has to reach us onor before due date by 11.00 Hours (IST) and will be opened at 14.00 Hours.(IST).If our Enquiry No./Collective No.(RFQ No) and tender due date are not super scribed on the tender cover , your offer shall be summarily rejected.Whosoever desires to send offers on their own risk (complete in all respects) via e-mail have to send offers to the common e-mail address : tenderbox@bhelhyd.co.in . Incomplete offers and late offers will not be considered.

SL NO	Purchase Req.no	Item no	Material Code	Drg no - Ver , Rev & Spec - Ver , Rev	Description	Unit	Qty	Delivery Date	Schedule Qty
				HY6841900,00	PER BHEL CO.STD.NO: 7603632XXX NOMINAL SIZE:3				
9	5000016371	30	HY6841900995	HY6841900,00	DRIFTS FOR RELEASING SELF HOLDING TAPER SHANKS AS PER BHEL CO.STD.NO: 7603632XXX NOMINAL SIZE:1	EA	100.000	31.12.2015	100.000

Special Remarks

CheckList of Quality Interventions:
 BHEL reserves the right to enforce any or all of the following checks during execution of the order.
 There is no additional cost to the vendor on account of these checks.

TEST CERTIFICATE REQD: GUARANTEE REQ : SAMPLE REQD : BID TYPE : TWO PART	For and on-behalf of Bharat Heavy Electricals Limited. Basini Bikash
-----------------------------------------------------------------------------------	--------------------------------------------------------------------------------

Remarks:

1. Two part bid system will be followed.
2. Unregistered suppliers should send samples to BHEL Hyderabad within 30 DAYS from the date of publishing of tender.
3. Dealers should send valid dealership certificate along with techno-commercial offer failing which their offer is liable for rejection.
4. Vendors can send their email offer to the following mail ids:

Technical offer to: technicalbid@bhelhyd.co.in

Price bid offer to: pricebid@bhelhyd.co.in

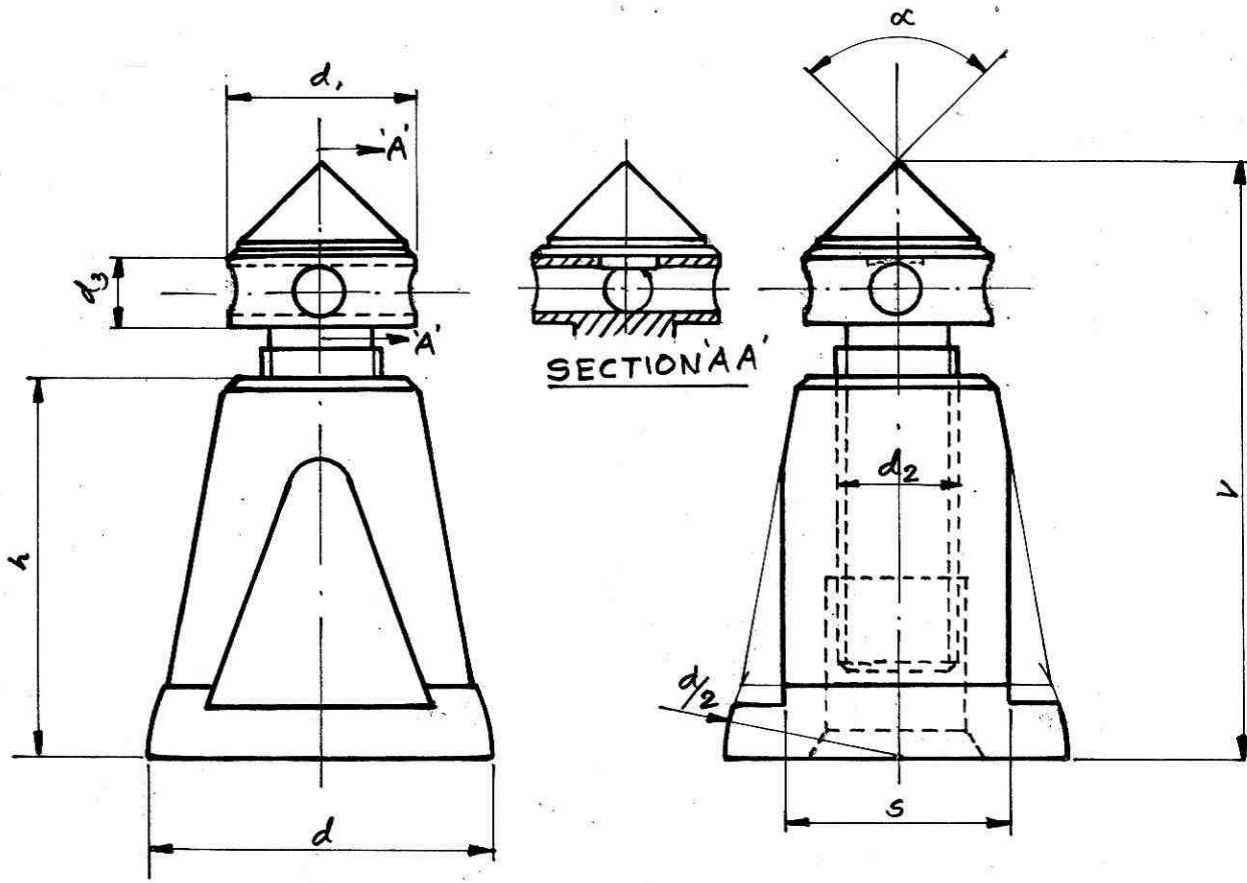
Interchanging of email offers may lead to rejection of their offer.

5. OFFERS THROUGH HARD COPY CAN BE SENT TO FOLLOWING ADDRESS:

Vendor Complex
Near Admin Building Gate
BHEL RC PURAM, MEDAK, Hyderabad-502032.
Telangana State

6. BHEL Techno Commercial bid form (6 pages) - filling and sending of this forms is compulsory. Don't just write accepted/ confirmed for taxes and payment terms. (Please mention clearly the % of taxes and days of payment) for further action at your end.
7. Please send the BHEL GCC (General Condition Of Contract) after duly signed, stamped along with techno-commercial offer.
8. Drawings for Leveling jack and Drill Drift is attached for your reference.

Drawings for Levelling Jacks with Conical Points



I. S.

C. S. N.

255546

Size Code.	Height Vmin.	V		d	d ₁	d ₂	d ₃	h	s	α	Handle	Load Carrying capacity kg
		min.	Max.									
104	63	63	85	36	20	Tr12x3	5.5	40	*	90°	5x100	400
107	80	80	110	45	25	Tr16x4	6.5	50	*	90°	6x125	700
111	105	105	140	56	35	Tr20x4	10.5	63	40	90°	10x220	1100
125	130	130	180	75	45	Tr30x6	12.5	85	50	120°	12x300	2,500
140	170	170	240	105	60	Tr40x6	16.5	120	70	120°	16x400	4,000
200	230	230	320	140	85	Tr60x8	20.5	160	95	120°	20x500	10,000

* The levelling jack does not have flat portion for the sizes 63 and 80.

Drawn by:

Prepared by:

Checked by:

Recommended & Issued by Standards Section

No. of sheets: 2
Sheet No. : 1

Drawing for Levelling Jack with Conical Points

1. MATERIAL AND HARDNESS:-

Stand :- Cast Iron. CBN 422431 or 422434

Screw :- C - 40 of I.S. 1570 or equivalent

The Conical Point shall be hardened to 38 - 43 HRC.

2. MARKING: The Levelling Jack shall have the following markings.

a) Height (V min).

b) C. S. No.

3. For the details of the handle refer C. S.

4. Designation :- A Levelling Jack with conical point, with height
V min = 63 mm shall be designated as:

Levelling Jack with conical point 63, C.S.:
7600781104

Drawn by:

Prepared
by: *D.A.L.*

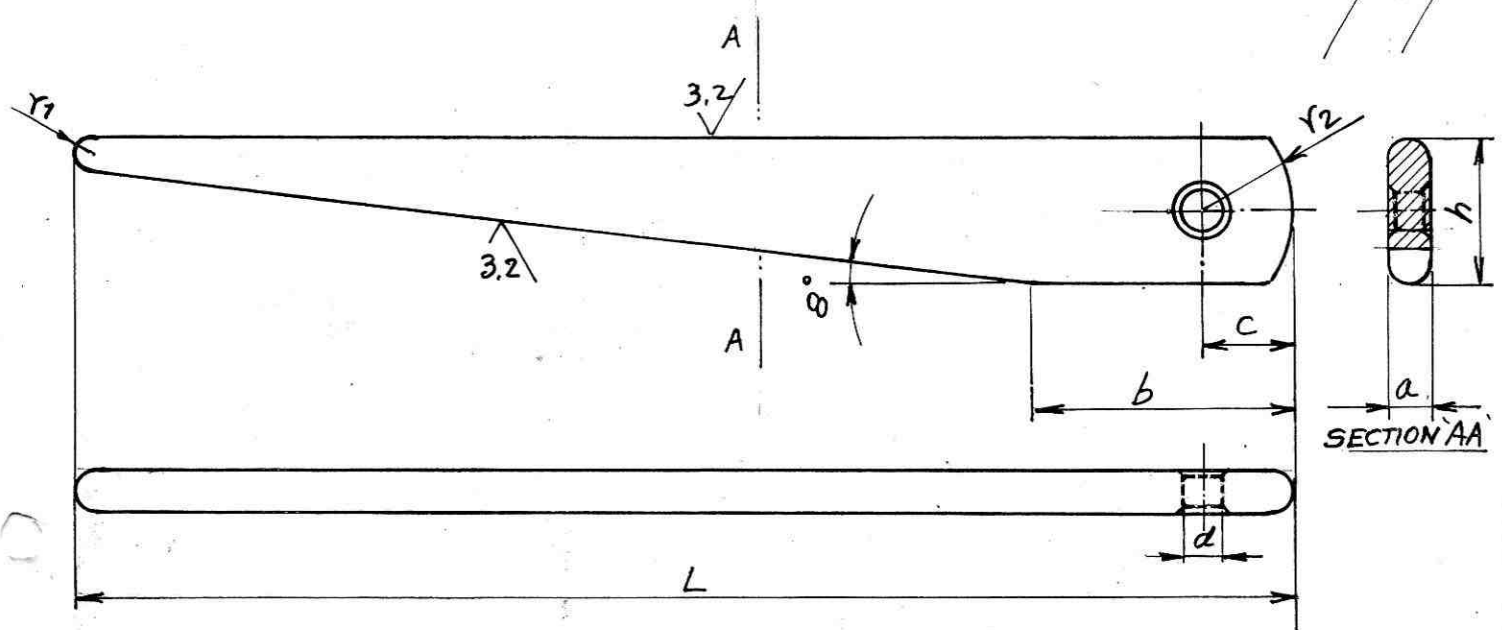
Checked
by: *...*

Recommended & Issued
by Standards Section

No. of sheets: 2
Sheet No. : 2

Drawing for Drill Drift for releasing self holding Taper Shanks

6.3/3.2



I. S.	C. S. N.	Material.
--	241279	Case hardenable Steel.

Size Code	Nominal size.	L	h	a	b	c	d	r1	r2	Suitable for	
										Morse Taper	Metric Taper.
001	0	90	12	2	21	6	4	1	8	0	4 and 6
002	1	140	19	5	35	9	5	2	12	1 and 2	--
003	3	190	25	7	45	12	6	3	16	3 & 4	--
004	5	250	35	15	60	14	8	3.5	20	5 & 6	80
005	7	350	57	30	65	25	10	7.5	40	--	100 to 160

Note :- i) Hardness:- Hardened to ⁴⁵55 to ⁵⁰60 HRC.

These Drifts are used to release Morse and Metric Taper shanks from the spindle sockets by driving them into the ejector slot of the socket.

Designation:- A drift suitable for releasing taper shanks of Morse 3 & 4 shall be designated as :

Drift for releasing self holding taper shank-3 CS: 7603632003.