

NO.	QTY	DESCRIPTION	UNIT	REMARKS
001	CUT TO SUIT			
028	PVC VINYL FLOOR MAT GENT.			
025	WASHER SPG-SC BB			
024	SCREW CSK M6X30			
023	WASHER SPG-SC BB			
022	NUT HEX. M8			
021	SIDE WALL PANEL W/ ANGLE.	4	719 35 05 202	001
020	ADJUSTABLE BRACKET ASSY.-3	3	719 35 05 218	00
019	ADJUSTABLE BRACKET ASSY.-2	3	719 35 05 211	00
018	ADJUSTABLE BRACKET ASSY.-1	3	719 35 05 210	00
017	FLOOR SHEET.	3	719 35 05 215	001
016	WIND SCREEN LINER.	3	719 35 05 214	001
015	SIDE WINDOW LINER (LH)	3	719 35 05 213	001
014	SIDE WINDOW LINER (RH)	3	719 35 05 212	001
013	DOOR COVER PANEL (LH)	4	719 35 05 201	001
012	DOOR COVER PANEL (RH)	4	719 35 05 200	001
011	DRIVER DESK ASSY. VERTICAL.	1	719 35 05 000	00
010	MIDDLE CEILING PANEL	3	719 35 05 209	00
009	CEILING PANEL ASSY.(RH)	3	719 35 05 208	00
008	CEILING PANEL ASSY.(LH)	3	719 35 05 207	00
007	SIDE DOOR PANEL ASSY. (RH)	3	719 35 05 206	00
006	SIDE DOOR PANEL ASSY. (LH)	3	719 35 05 205	00
005	WIND SCREEN PANEL ASSY.	2	719 35 05 014	00
004	SIDE WINDOW PANEL ASSY. (LH)	3	719 35 05 203	00
003	SIDE WINDOW A-RIPLAR PANEL ASSY. (RH)	3	719 35 05 202	00
002	SIDE WINDOW PANEL ASSY. (LH)	3	719 35 05 201	00
001	SIDE WINDOW A-RIPLAR PANEL ASSY. (LH)	3	719 35 05 200	00

DETAIL-C

SECTION VIEW A-A

SECTION D-D

INVENTORY NO. SIGN & DATE REF. ENG. NO. R083A001

THE INFORMATION ON THIS DOCUMENT IS THE PROPERTY OF BHARAT HEAVY ELECTRICALS LIMITED. IT MUST NOT BE USED DIRECTLY OR INDIRECTLY IN ANY WAY DETRIMENTAL TO THE INTEREST OF THE COMPANY.

REV	DATE	BY	CHKD	DESCRIPTION
01	10.04.12	ALISHA K. SINGH	CHANDU	DRWG. ISSUED FOR 1099 & 736
02	10.04.12	ALISHA K. SINGH	CHANDU	DRWG. ISSUED FOR 1099 & 736
03	10.04.12	ALISHA K. SINGH	CHANDU	DRWG. ISSUED FOR 1099 & 736

REV	DATE	BY	CHKD	DESCRIPTION
01	10.04.12	ALISHA K. SINGH	CHANDU	DRWG. ISSUED FOR 1099 & 736
02	10.04.12	ALISHA K. SINGH	CHANDU	DRWG. ISSUED FOR 1099 & 736
03	10.04.12	ALISHA K. SINGH	CHANDU	DRWG. ISSUED FOR 1099 & 736

NO.	QTY	DESCRIPTION	UNIT	REMARKS
001	CUT TO SUIT			
028	PVC VINYL FLOOR MAT GENT.			
025	WASHER SPG-SC BB			
024	SCREW CSK M6X30			
023	WASHER SPG-SC BB			
022	NUT HEX. M8			
021	SIDE WALL PANEL W/ ANGLE.	4	719 35 05 202	001
020	ADJUSTABLE BRACKET ASSY.-3	3	719 35 05 218	00
019	ADJUSTABLE BRACKET ASSY.-2	3	719 35 05 211	00
018	ADJUSTABLE BRACKET ASSY.-1	3	719 35 05 210	00
017	FLOOR SHEET.	3	719 35 05 215	001
016	WIND SCREEN LINER.	3	719 35 05 214	001
015	SIDE WINDOW LINER (LH)	3	719 35 05 213	001
014	SIDE WINDOW LINER (RH)	3	719 35 05 212	001
013	DOOR COVER PANEL (LH)	4	719 35 05 201	001
012	DOOR COVER PANEL (RH)	4	719 35 05 200	001
011	DRIVER DESK ASSY. VERTICAL.	1	719 35 05 000	00
010	MIDDLE CEILING PANEL	3	719 35 05 209	00
009	CEILING PANEL ASSY.(RH)	3	719 35 05 208	00
008	CEILING PANEL ASSY.(LH)	3	719 35 05 207	00
007	SIDE DOOR PANEL ASSY. (RH)	3	719 35 05 206	00
006	SIDE DOOR PANEL ASSY. (LH)	3	719 35 05 205	00
005	WIND SCREEN PANEL ASSY.	2	719 35 05 014	00
004	SIDE WINDOW PANEL ASSY. (LH)	3	719 35 05 203	00
003	SIDE WINDOW A-RIPLAR PANEL ASSY. (RH)	3	719 35 05 202	00
002	SIDE WINDOW PANEL ASSY. (LH)	3	719 35 05 201	00
001	SIDE WINDOW A-RIPLAR PANEL ASSY. (LH)	3	719 35 05 200	00

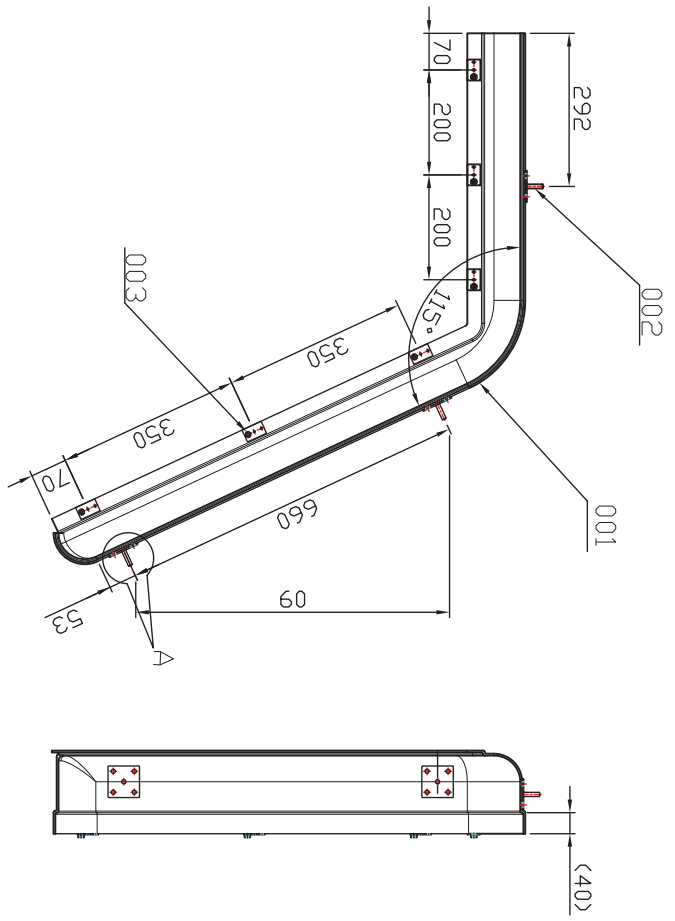
NO.	QTY	DESCRIPTION	UNIT	REMARKS
001	CUT TO SUIT			
028	PVC VINYL FLOOR MAT GENT.			
025	WASHER SPG-SC BB			
024	SCREW CSK M6X30			
023	WASHER SPG-SC BB			
022	NUT HEX. M8			
021	SIDE WALL PANEL W/ ANGLE.	4	719 35 05 202	001
020	ADJUSTABLE BRACKET ASSY.-3	3	719 35 05 218	00
019	ADJUSTABLE BRACKET ASSY.-2	3	719 35 05 211	00
018	ADJUSTABLE BRACKET ASSY.-1	3	719 35 05 210	00
017	FLOOR SHEET.	3	719 35 05 215	001
016	WIND SCREEN LINER.	3	719 35 05 214	001
015	SIDE WINDOW LINER (LH)	3	719 35 05 213	001
014	SIDE WINDOW LINER (RH)	3	719 35 05 212	001
013	DOOR COVER PANEL (LH)	4	719 35 05 201	001
012	DOOR COVER PANEL (RH)	4	719 35 05 200	001
011	DRIVER DESK ASSY. VERTICAL.	1	719 35 05 000	00
010	MIDDLE CEILING PANEL	3	719 35 05 209	00
009	CEILING PANEL ASSY.(RH)	3	719 35 05 208	00
008	CEILING PANEL ASSY.(LH)	3	719 35 05 207	00
007	SIDE DOOR PANEL ASSY. (RH)	3	719 35 05 206	00
006	SIDE DOOR PANEL ASSY. (LH)	3	719 35 05 205	00
005	WIND SCREEN PANEL ASSY.	2	719 35 05 014	00
004	SIDE WINDOW PANEL ASSY. (LH)	3	719 35 05 203	00
003	SIDE WINDOW A-RIPLAR PANEL ASSY. (RH)	3	719 35 05 202	00
002	SIDE WINDOW PANEL ASSY. (LH)	3	719 35 05 201	00
001	SIDE WINDOW A-RIPLAR PANEL ASSY. (LH)	3	719 35 05 200	00



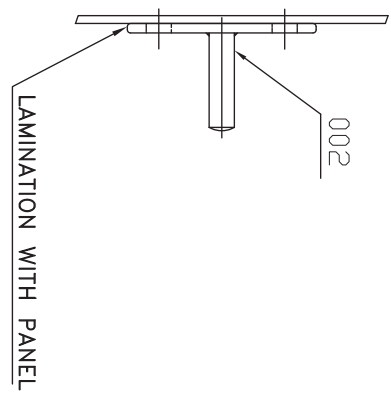


007 50 53 61 L 3  
DN GNIMWARD

DIMNL. TOL:- AS PER CORP. STD. AA 062 11 04 GRADE OF ACCURACY 'A' UNLESS OTHERWISE STATED.



—A—



THIS INFORMATION ON THE DOCUMENT IS THE PROPERTY OF BHARAT HEAVY ELECTRICALS LIMITED. IT MUST NOT BE USED DIRECTLY OR INDIRECTLY IN ANY WAY DETRIMENTAL TO THE INTEREST OF THE COMPANY.

REF. DRG. NO.  
**R083S012**

SIGN & DATE

INVENTORY NO.

NOTES:-  
1. FINISH:- FINISHED SURFACE IS ON THE BOTTOM SIDE.

VAR 00	REMARKS	VAR 00	ITEM NO.	DESCRIPTION	QTY	DRAWING NO.	IT. NO.	MATL. CODE	MATL. SPECN	A/C	UNIT WT.	QTY.
006			003	OFFSET NUT PLATE SUB-ASSY.	4	719 36 05 008	00					
003			002	OFFSET STUD PLATE SUB-ASSY.	4	719 36 05 011	00					
001			001	SIDE WINDOW A-PILLAR PANEL(LH)	3	719 35 05 219	001					

CARD TYPE - 3

CARD TYPE - 1

CARD TYPE - 2

ADDITIONAL INFORMATION  
STATUS OF DRAWING U  
DISTRIBUTION OF PRINTS  
LME (DW) - 1  
LMP (DW) - 1  
LMM (DW) - 3

TYPE OF PRODUCT  
DR  
NAME OF CUSTOMER/PROJECT  
M/s RAILWAY BOARD, NEW DELHI  
WAG-7 LOCO  
BHARAT HEAVY ELECTRICALS LTD.  
JHANSI

DEPT LME CODE	GRADE OF UN. DIM. C/M/F	SCALE	WEIGHT (KGI)	DRN	NAME	SIGN	DATE	ND. OF VAR
404		NTS	-	P. SINGH			14.07.10	01
				S.B. ARYA			14.07.10	01
				D/KC/GR			14.07.10	01

TITLE  
SIDE WINDOW  
A-PILLAR PANEL ASSY.(LH)

CARD CODE  
DRAWING NO.  
3 719 35 05 200

SHEET NO. 01 ND. OF SHEETS 01

REV	DATE	ALTERED CHECKED	REV	DATE	ALTERED CHECKED

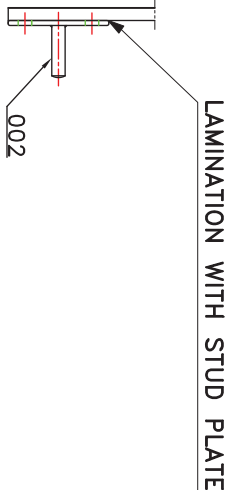
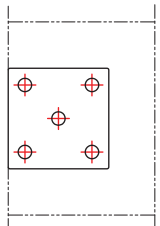
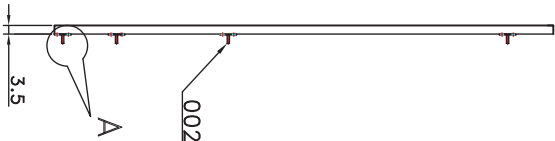
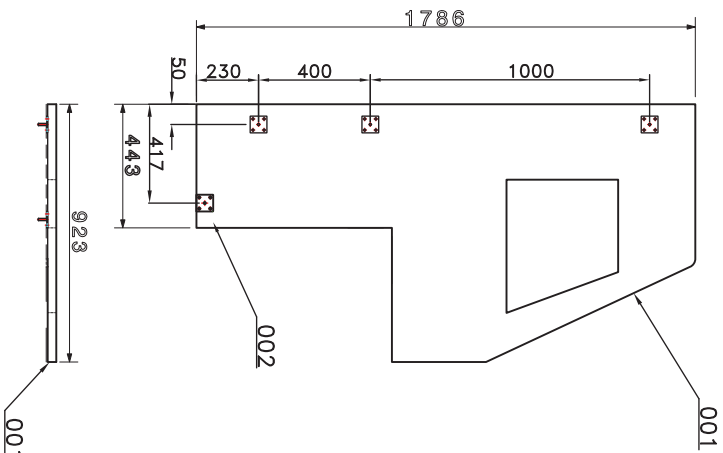
REV	DATE	ALTERED CHECKED

REV.	DATE	ALTERED CHECKED	REV.	DATE	ALTERED CHECKED

102 50 53 61 L 3 IN ENGR

DIMNL. TOL:-

AS PER CORP. STD. AA 062 11 04 GRADE OF ACCURACY 'A' UNLESS OTHERWISE STATED.



THIS INFORMATION ON THE DOCUMENT IS THE PROPERTY OF BHARAT HEAVY ELECTRICALS LIMITED. IT MUST NOT BE USED DIRECTLY OR INDIRECTLY IN ANY WAY DETRIMENTAL TO THE INTEREST OF THE COMPANY.

REF. DRG. NO. R083S014

SIGN & DATE

INVENTORY NO.

REV	DATE	ALTERED	REV	DATE	ALTERED
		CHECKED			CHECKED

004			002	OFFSET STUD PLATE SUB-ASSY.	4 719 36 05 011	00								
001			001	SIDE WINDOW PANEL	3 719 35 05 221	001								
VAR.00	REMARKS	VAR. NO.	ITEM NO.	DESCRIPTION	ES	DRAWING NO.	IT. NO.	MATL. CODE	A	UNIT W.T.				
							VAR.	MATL. SPECN	C	QTY.				

CARD TYPE - 3

CARD TYPE - 1

CARD TYPE - 2

ADDITIONAL INFORMATION  
 STATUS OF DRAWING U  
 DISTRIBUTION OF PRINTS  
 LME (DV) - 1  
 LMP (DV) - 1  
 LMM (DV) - 3

TYPE OF PRODUCT OR NAME OF CUSTOMER/PROJECT  
 WAG-7 LOCO  
 M/s RAILWAY BOARD, NEW DELHI

BHARAT HEAVY ELECTRICALS LTD.  
 JHANSI

DEPT LME	GRADE OF UN. TOL. DIM. C/M/F	SCALE	WEIGHT (KGS)	DRN	NAME	SIGN	DATE	NO. OF
404		NTS	-	P. SINGH			14.07.10	ND. OF
				S.B.BARYA			14.07.10	VAR
				DKC/GR			14.07.10	01

REV
 DATE | ALTERED ||  |  | CHECKED |

TITLE  
 SIDE WINDOW PANEL ASSY.(RH)

CARD CODE

DRAWING NO.  
 3 719 35 05 201

SHEET NO. 01

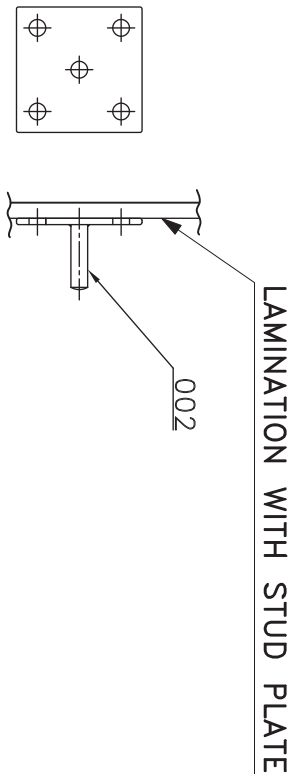
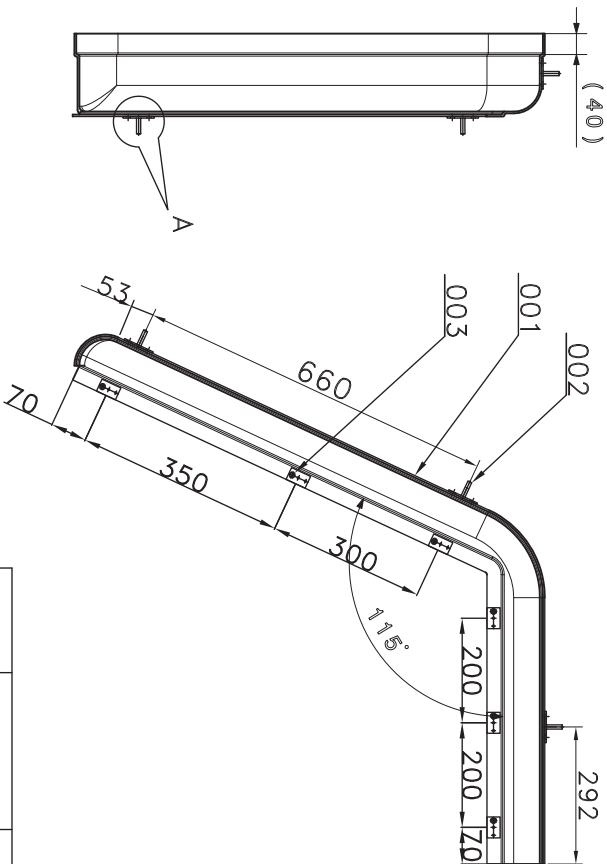
NO. OF SHEETS 01

202 50 53 61 L 3

DRN GNMWARD

DIMNL. TOL:-

AS PER CORP. STD. AA 062 11 04 GRADE OF ACCURACY 'A' UNLESS OTHERWISE STATED.



-A-

THIS INFORMATION ON THE DOCUMENT IS THE PROPERTY OF BHARAT HEAVY ELECTRICALS LIMITED. IT MUST NOT BE USED DIRECTLY OR INDIRECTLY IN ANY WAY DETRIMENTAL TO THE INTEREST OF THE COMPANY.

REF. DRG. NO. R083S013

SIGN & DATE

INVENTORY NO.

NOTE:-  
1. FINISH:- FINISHED SURFACE IS ON THE BOTTOM SIDE.

REV	DATE	ALTERED CHECKED	REV	DATE	ALTERED CHECKED

VAR 00	REMARKS	ITEM NO	DESCRIPTION	DRAWING NO.	IT. NDL	MATL. CODE	MATL. SPECN	A	C	UNIT WT.	QTY.
006		003	OFFSET NUT PLATE SUB-ASSY.	4 719 36 05 008	00						
003		002	OFFSET STUD PLATE SUB-ASSY.	4 719 36 05 011	00						
001		001	SIDE WINDOW A-PILLAR PANEL (RH)	3 719 35 05 220	001						

CARD TYPE - 3											
ADDITIONAL INFORMATION											
STATUS OF DRAWING U											
DISTRIBUTION OF PRINTS											
LME (DV) - 1											
LMP (DV) - 1											
LMM (DV) - 3											

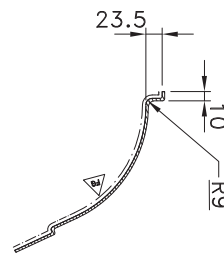
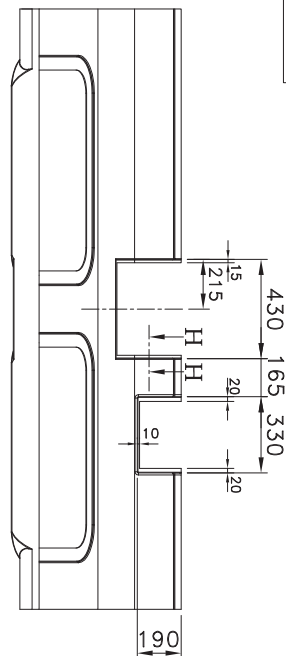
CARD TYPE - 1											
TYPE OF PRODUCT											
OR											
NAME OF CUSTOMER/PROJECT											
M/s RAILWAY BOARD, NEW DELHI											
WAG-7 LOCO											
CARD TYPE - 2											
DEPT LME											
GRADE OF UN. TOL. DIM. C/M/F											
SCALE NTS											
WEIGHT (KGS)											
APPD											
REF. TO ASSY. NDL											
DRN P. SINGH											
SIGN											
DATE											
CHD S.B.ARYA											
14.07.10											
DKC/GR											
14.07.10											
01											

BHARAT HEAVY ELECTRICALS LTD.											
JHANSI											
TITLE											
SIDE WINDOW											
A-PILLAR PANEL ASSY. (RH)											
CARD CODE											
DRAWING NDL											
3 719 35 05 202											
SHEET NDL 01											
NDL OF SHEETS 01											
REV.											
00											
003											

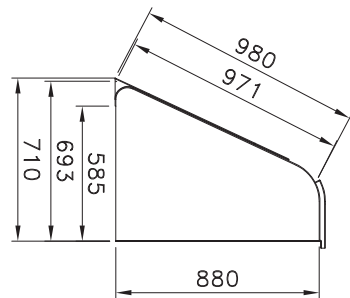
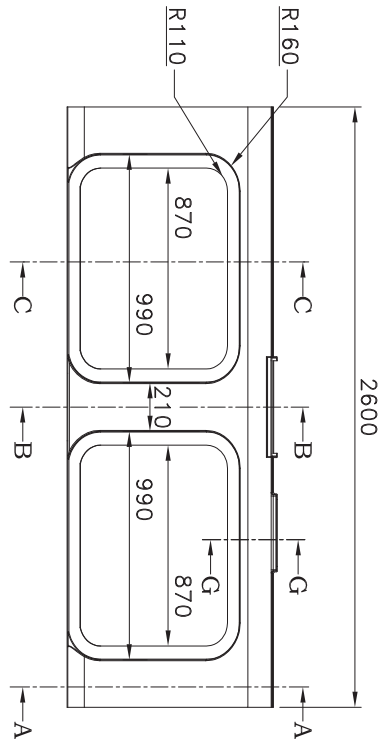


**402 50 53 61 L 3**  
ON DRAWING

DIMNL. TOL: - AS PER CORP. STD. AA 062 11 04 GRADE OF ACCURACY 'A' UNLESS OTHERWISE STATED.



SECTION-G-G



SECTION-H-H

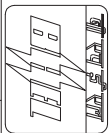


THIS INFORMATION ON THE DOCUMENT IS THE PROPERTY OF BHARAT HEAVY ELECTRICALS LIMITED. IT MUST NOT BE USED DIRECTLY OR INDIRECTLY IN ANY WAY DETRIMENTAL TO THE INTEREST OF THE COMPANY.

REF. DRG. NO.  
**R083F201**

- NOTES:-
1. UNSPECIFIED RADIUS 3mm.
  2. ALL INSIDE EDGES (GELCOAT SIDE) TO BE ROUNDED OFF WITH 3mm RADIUS.
  3. PANELS WILL BE TRIMMED AS PER REQUIREMENT WHILE ASSY.
  4. FRP MATERIAL TO RDSO SPECIFICATION NO.- RDSO/2008/EL/SPEL/0058 (REV.-0) MAR,2008
  5. FINISH:- NATURAL

ADDITIONAL INFORMATION  
STATUS OF DRAWING U  
DISTRIBUTION OF PRINTS  
LME (DV) - 1  
LMP (DV) - 1  
LMM (DV) - 3



NAME OF CUSTOMER/PROJECT: M/s RAILWAY BOARD, NEW DELHI  
DR: JHANSI  
BHARAT HEAVY ELECTRICALS LTD.

APPD	CHKD	DRN	NAME	SIGN	DATE	ND. OF VAR
			M.K.SONWANE		05.07.10	
			S.B.ARYA		05.07.10	
			DKC/GR		05.07.10	

REV	DATE	ALTERED	REV	DATE	ALTERED
		CHECKED			CHECKED

REV	DATE	ALTERED	REV	DATE	ALTERED
		CHECKED			CHECKED

VAR. 00	REMARKS	ISS. NO.	DESCRIPTION	DRAWING NO.	ISS.	UNIT WT.	QTY.
001		001	WIND SCREEN PANEL				

CARD TYPE - 3

CARD TYPE - 1

CARD TYPE - 2

TYPE OF PRODUCT: WAG-7 LOCO

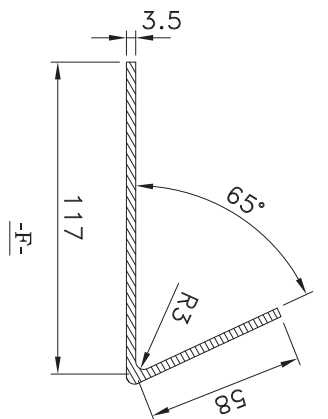
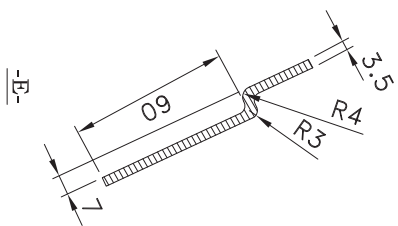
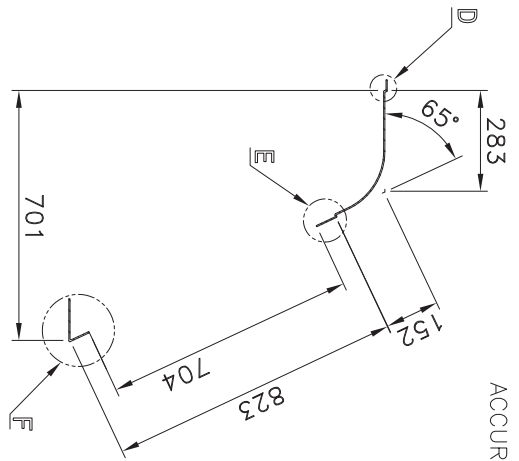
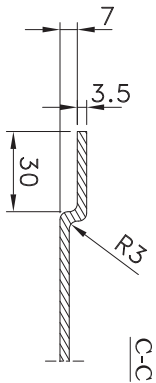
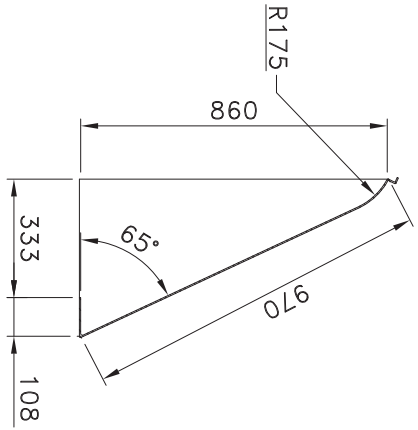
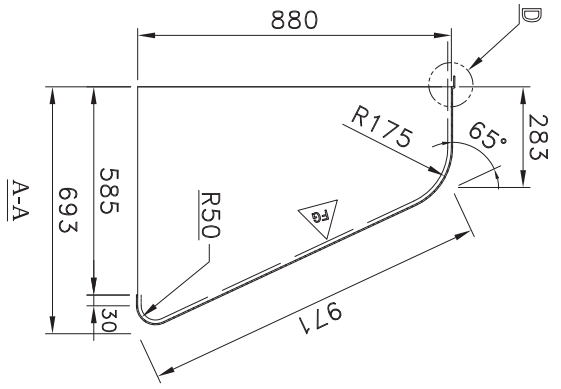
NAME OF CUSTOMER/PROJECT: M/s RAILWAY BOARD, NEW DELHI

DEPT	LME	GRADE OF UN. TOL.	SCALE	WEIGHT (KG)	REF. TO ASSY. NO.	ITEM NO.	ND. OF REV.
404		DIN C/M/F	NTS	-	2 719 35 05 014	001	001

TITLE: WIND SCREEN PANEL  
DRAWING NO.: 3 719 35 05 204

INVENTORY NO.	SIGN & DATE	REF. DRG. NO.
		R083F201

DIMNL. TOL: - AS PER CORP. STD. AA 062 11 04 GRADE OF ACCURACY 'A' UNLESS OTHERWISE STATED.



THIS INFORMATION ON THE DOCUMENT IS THE PROPERTY OF BHARAT HEAVY ELECTRICALS LIMITED. IT MUST NOT BE USED DIRECTLY OR INDIRECTLY IN ANY WAY DETRIMENTAL TO THE INTEREST OF THE COMPANY.

REF. DRG. NO.  
R083F201

SIGN & DATE

INVENTORY NO.

REV	DATE	ALTERED	REV	DATE	ALTERED
		CHECKED			CHECKED

DISTRIBUTION OF PRINTS  
LME (DV) - 1  
LMP (DV) - 1  
LMM (DV) - 3

REV	DATE	ALTERED	REV	DATE	ALTERED
		CHECKED			CHECKED

VAR 00	REMARKS	ITEM NO.	DESCRIPTION	DRAWING NO.	IT. NO.	MATL. CODE	A	UNIT WT.
							C	QTY.

CARD TYPE - 3  
CARD TYPE - 1  
WAG-7 LOCO  
CARD TYPE - 2

STATUS OF DRAWING U

TYPE OF PRODUCT OR

M/s RAILWAY BOARD, NEW DELHI

NAME OF CUSTOMER/PROJECT  
BHARAT HEAVY ELECTRICALS LTD.  
JHANSI

DRN	NAME	SIGN	DATE	NO. OF
CHD	M.K. SONWANE		05.07.10	VAR
APPD	S.B. ARYA		05.07.10	
	D/KC/GR		05.07.10	

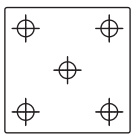
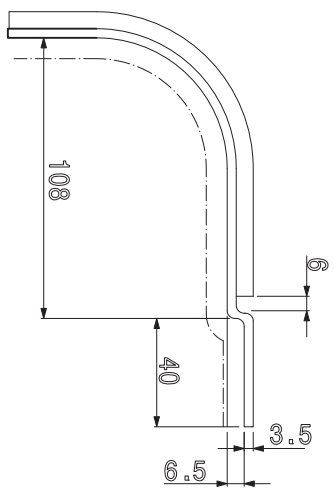
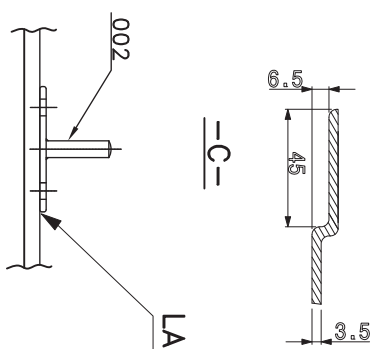
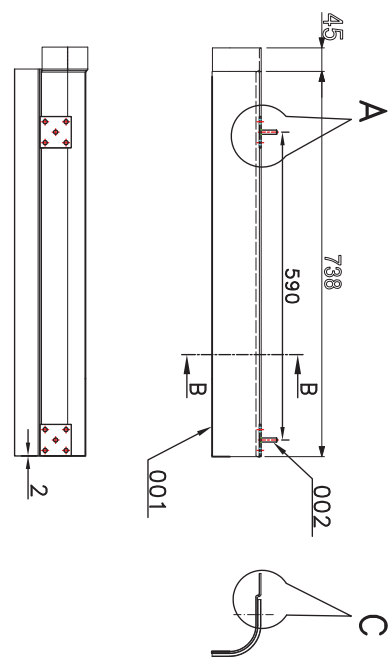
DEPT	GRADE OF	SCALE	WEIGHT (KGS)	REF. TO ASSY. NO.	ITEM NO.	NO. OF
LME <td>UN. TOL. <td>NTS <td>-</td> <td>SHEET-01 <td></td> <td>REV. </td></td></td></td>	UN. TOL. <td>NTS <td>-</td> <td>SHEET-01 <td></td> <td>REV. </td></td></td>	NTS <td>-</td> <td>SHEET-01 <td></td> <td>REV. </td></td>	-	SHEET-01 <td></td> <td>REV. </td>		REV.
404	DIM. C/M/F <td></td> <td></td> <td>3 719 35 05 204</td> <td></td> <td></td>			3 719 35 05 204		

TITLE  
SECTIONAL DETAIL OF  
WIND SCREEN PANEL ASSY.

CARD CODE	DRAWING NO.	SHEET NO.	NO. OF SHEETS
	3 719 35 05 204	02	02

507 50 53 61 L 3  
DN GNIWYD

DIMNL. TOL:- AS PER CORP. STD. AA 062 11 04 GRADE OF ACCURACY 'A' UNLESS OTHERWISE STATED.



LAMINATION WITH STUD PLATE

VAR 00	REMARKS	ITEM NO	DESCRIPTION	DRAWING NO.	IT. NO.	MATL. CODE	MATL. SPECN	UNIT WT.	QTY.
002		002	OFFSET STUD PLATE SUB-ASSY.	4 719 36 05 011	00				
001		001	SIDE DOOR PANEL(LH)	3 719 35 05 225	001				

NOTE :-  
1. FINISHED SURFACE IS ON THE BOTTOM SIDE.

REF. DRG. NO.  
R083S017

THIS INFORMATION ON THE DOCUMENT IS THE PROPERTY OF BHARAT HEAVY ELECTRICALS LIMITED. IT MUST NOT BE USED DIRECTLY OR INDIRECTLY IN ANY WAY DETRIMENTAL TO THE INTEREST OF THE COMPANY.

REV	DATE	ALTERED CHECKED	REV	DATE	ALTERED CHECKED

SIGN & DATE

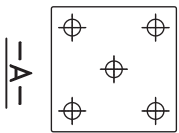
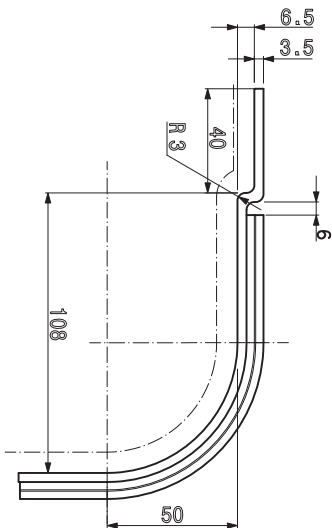
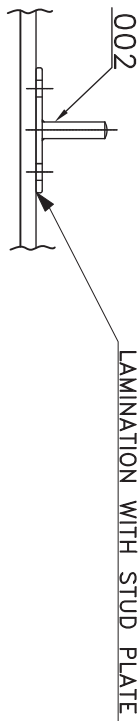
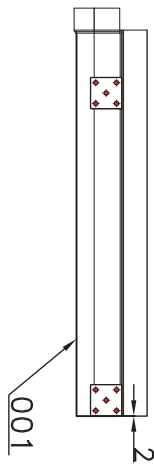
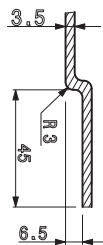
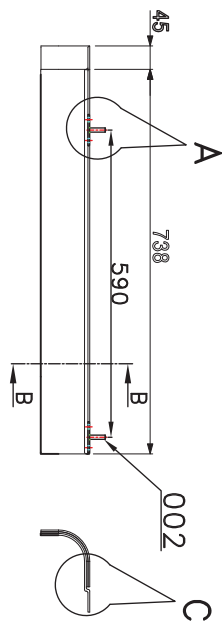
ADDITIONAL INFORMATION		STATUS OF DRAWING		DISTRIBUTION OF PRINTS	
U		U		LME (DV) - 1 LMP (DV) - 1 LMM (DV) - 3	
CARD TYPE - 3		TYPE OF PRODUCT		NAME OF CUSTOMER/PROJECT	
WAG-7 LOCO		OR		M/s RAILWAY BOARD, NEW DELHI	
BHARAT HEAVY ELECTRICALS LTD.		GRADE OF UN. TOL. DIM. C/M/F		SCALE	
JHANSI		NTS		-	
WGT (KG)		DRN		NAME	
-		P. SINGH		SIGN	
-		S.B.ARYA		DATE	
-		DKC/GR		19.07.10	
REF. TO ASSY. NO.		APPD		ITEM NO	
1 719 35 05 021		19.07.10		006	
ND. OF VAR		ND. OF		ND. OF	
01		01		002	

INVENTORY NO.		SIGN & DATE		REF. DRG. NO.		THIS INFORMATION ON THE DOCUMENT IS THE PROPERTY OF BHARAT HEAVY ELECTRICALS LIMITED. IT MUST NOT BE USED DIRECTLY OR INDIRECTLY IN ANY WAY DETRIMENTAL TO THE INTEREST OF THE COMPANY.									
				R083S017		TITLE		CARD CODE		DRAWING NO.		SHEET NO.		ND. OF SHEETS	
						SIDE DOOR PANEL ASSY. (LH)		3 719 35 05 205		01		01		01	

902 50 53 61 L 3  
DN 01MVAR1

DIMNL. TOL:-

AS PER CORP. STD. AA 062 11 04 GRADE OF ACCURACY 'A' UNLESS OTHERWISE STATED.



THIS INFORMATION ON THE DOCUMENT IS THE PROPERTY OF BHARAT HEAVY ELECTRICALS LIMITED. IT MUST NOT BE USED DIRECTLY OR INDIRECTLY IN ANY WAY DETRIMENTAL TO THE INTEREST OF THE COMPANY.

REF. DRG. NO.  
**R083S017**

SIGN & DATE

INVENTORY NO.

NOTE:-  
1. FINISHED SURFACE IS ON THE BOTTOM SIDE.

REV	DATE	ALTERED	CHECKED	REV	DATE	ALTERED	CHECKED
002				002			
001				001			
VAR 00							

CARD TYPE - 3

CARD TYPE - 1

CARD TYPE - 2

ADDITIONAL INFORMATION

TYPE OF PRODUCT

WAG-7 LOCO

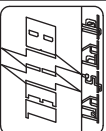
STATUS OF DRAWING U

NAME OF CUSTOMER/PROJECT

M/s RAILWAY BOARD, NEW DELHI

DISTRIBUTION OF PRINTS

LME (DV) - 1  
LMP (DV) - 1  
LMM (DV) - 3



BHARAT HEAVY ELECTRICALS LTD.  
JHANSI

DRN	NAME	SIGN	DATE	ND. OF
CHD	P. SINGH		19.07.10	VAR
APPD	S.B.ARYA		19.07.10	
	DKC/GR		19.07.10	01

REV DATE

ALTERED CHECKED

DEPT LME

GRADE OF UN. TOL. DIM. C/M/F

SCALE NTS

WEIGHT (KG)

REF. TO ASSY. NO. 1 719 35 05 021

ITEM NO. 007

-

TITLE  
SIDE DOOR PANEL ASSY. (RH)

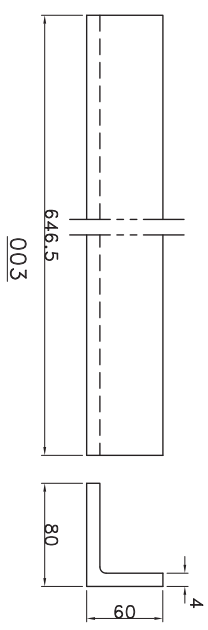
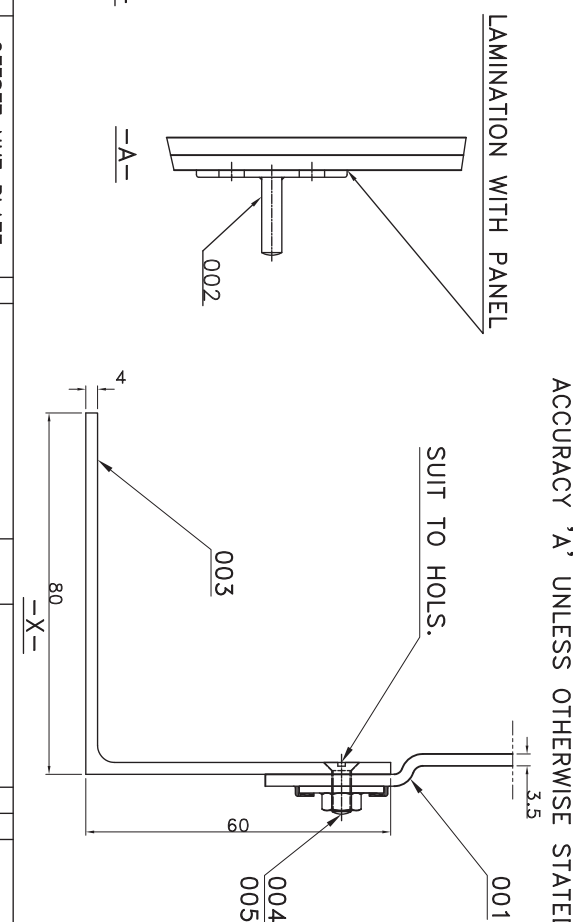
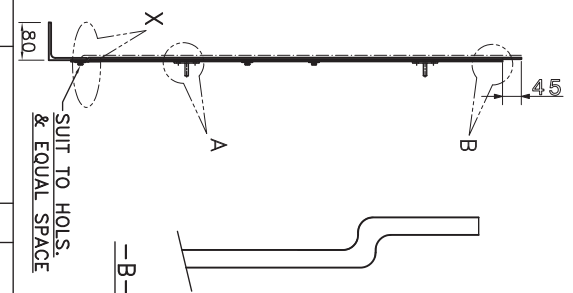
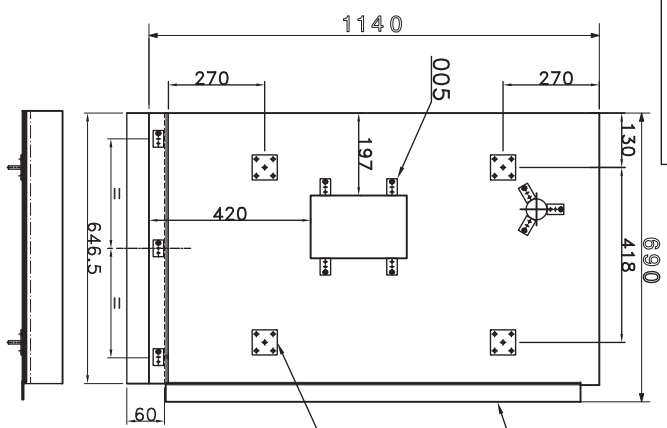
CARD CODE  
DRAWING NO. 3 719 35 05 206

SHEET NO. 01

ND. OF SHEETS 01

702 50 53 61 L 3

DIMNL. TOL:--  
AS PER CORP. STD. AA 062 11 04 GRADE OF  
ACCURACY 'A' UNLESS OTHERWISE STATED.



REV	DATE	ALTERED	REV	DATE	ALTERED
01	22.11.12	CHECKED	02	07.10.13	CHECKED

ITEM NO.	DESCRIPTION	QTY	DRAWING NO.	UNIT WT.
010	OFFSET NUT PLATE SUB ASSY.	4	719 36 05 008	0.015
010	SCREW CSK HEAD M6x20 STEEL	4	719 36 05 011	0.976
001	ALUMINIUM UNEQUAL ANGLE 80x60x4TK.	3	719 35 05 222	646.5
004	OFFSET STUD PLATE SUB ASSY.	4	719 36 05 011	0.976
001	CEILING PANEL (LH)	3	719 35 05 222	646.5

NOTE:--  
1. FINISHED SURFACE IS ON THE BOTTOM SIDE.

ADDITIONAL INFORMATION  
STATUS OF DRAWING U

TYPE OF PRODUCT  
WAG-7 LOCO

DISTRIBUTION OF PRINTS  
LME (DW) - 1  
LMP (DW) - 1  
LMM (DW) - 3

NAME OF CUSTOMER/PROJECT  
M/s RAILWAY BOARD, NEW DELHI

REV	DATE	ALTERED	REV	DATE	ALTERED
01	22.11.12	CHECKED	02	07.10.13	CHECKED

DEPT	GRADE OF UN. TOL.	SCALE	WEIGHT (KGS)
LME	404	NTS	-

DRN	NAME	SIGN	DATE	ND. OF
01	P. SINGH	Sd/-	15.07.10	VAR
02	S. B. BARYA	Sd/-	15.07.10	VAR
03	D. K. C. GR	Sd/-	15.07.10	01

REV	DATE	ALTERED	REV	DATE	ALTERED
01	22.11.12	CHECKED	02	07.10.13	CHECKED

REV	DATE	ALTERED	REV	DATE	ALTERED
01	22.11.12	CHECKED	02	07.10.13	CHECKED

REV	DATE	ALTERED	REV	DATE	ALTERED
01	22.11.12	CHECKED	02	07.10.13	CHECKED

REV	DATE	ALTERED	REV	DATE	ALTERED
01	22.11.12	CHECKED	02	07.10.13	CHECKED

REV	DATE	ALTERED	REV	DATE	ALTERED
01	22.11.12	CHECKED	02	07.10.13	CHECKED

REV	DATE	ALTERED	REV	DATE	ALTERED
01	22.11.12	CHECKED	02	07.10.13	CHECKED

REV	DATE	ALTERED	REV	DATE	ALTERED
01	22.11.12	CHECKED	02	07.10.13	CHECKED

REV	DATE	ALTERED	REV	DATE	ALTERED
01	22.11.12	CHECKED	02	07.10.13	CHECKED

REV	DATE	ALTERED	REV	DATE	ALTERED
01	22.11.12	CHECKED	02	07.10.13	CHECKED

REV	DATE	ALTERED	REV	DATE	ALTERED
01	22.11.12	CHECKED	02	07.10.13	CHECKED

REV	DATE	ALTERED	REV	DATE	ALTERED
01	22.11.12	CHECKED	02	07.10.13	CHECKED

REV	DATE	ALTERED	REV	DATE	ALTERED
01	22.11.12	CHECKED	02	07.10.13	CHECKED

REV	DATE	ALTERED	REV	DATE	ALTERED
01	22.11.12	CHECKED	02	07.10.13	CHECKED

REV	DATE	ALTERED	REV	DATE	ALTERED
01	22.11.12	CHECKED	02	07.10.13	CHECKED

REV	DATE	ALTERED	REV	DATE	ALTERED
01	22.11.12	CHECKED	02	07.10.13	CHECKED

REV	DATE	ALTERED	REV	DATE	ALTERED
01	22.11.12	CHECKED	02	07.10.13	CHECKED

REV	DATE	ALTERED	REV	DATE	ALTERED
01	22.11.12	CHECKED	02	07.10.13	CHECKED

REV	DATE	ALTERED	REV	DATE	ALTERED
01	22.11.12	CHECKED	02	07.10.13	CHECKED

REV	DATE	ALTERED	REV	DATE	ALTERED
01	22.11.12	CHECKED	02	07.10.13	CHECKED

REV	DATE	ALTERED	REV	DATE	ALTERED
01	22.11.12	CHECKED	02	07.10.13	CHECKED

REV	DATE	ALTERED	REV	DATE	ALTERED
01	22.11.12	CHECKED	02	07.10.13	CHECKED

REV	DATE	ALTERED	REV	DATE	ALTERED
01	22.11.12	CHECKED	02	07.10.13	CHECKED

REV	DATE	ALTERED	REV	DATE	ALTERED
01	22.11.12	CHECKED	02	07.10.13	CHECKED

REV	DATE	ALTERED	REV	DATE	ALTERED
01	22.11.12	CHECKED	02	07.10.13	CHECKED

REV	DATE	ALTERED	REV	DATE	ALTERED
01	22.11.12	CHECKED	02	07.10.13	CHECKED

REV	DATE	ALTERED	REV	DATE	ALTERED
01	22.11.12	CHECKED	02	07.10.13	CHECKED

REV	DATE	ALTERED	REV	DATE	ALTERED
01	22.11.12	CHECKED	02	07.10.13	CHECKED

REV	DATE	ALTERED	REV	DATE	ALTERED
01	22.11.12	CHECKED	02	07.10.13	CHECKED

REV	DATE	ALTERED	REV	DATE	ALTERED
01	22.11.12	CHECKED	02	07.10.13	CHECKED

REV	DATE	ALTERED	REV	DATE	ALTERED
01	22.11.12	CHECKED	02	07.10.13	CHECKED

REV	DATE	ALTERED	REV	DATE	ALTERED
01	22.11.12	CHECKED	02	07.10.13	CHECKED

REV	DATE	ALTERED	REV	DATE	ALTERED
01	22.11.12	CHECKED	02	07.10.13	CHECKED

REV	DATE	ALTERED	REV	DATE	ALTERED
01	22.11.12	CHECKED	02	07.10.13	CHECKED

REV	DATE	ALTERED	REV	DATE	ALTERED
01	22.11.12	CHECKED	02	07.10.13	CHECKED

REV	DATE	ALTERED	REV	DATE	ALTERED
01	22.11.12	CHECKED	02	07.10.13	CHECKED

REV	DATE	ALTERED	REV	DATE	ALTERED
01	22.11.12	CHECKED	02	07.10.13	CHECKED

REV	DATE	ALTERED	REV	DATE	ALTERED
01	22.11.12	CHECKED	02	07.10.13	CHECKED

REV	DATE	ALTERED	REV	DATE	ALTERED
01	22.11.12	CHECKED	02	07.10.13	CHECKED

REV	DATE	ALTERED	REV	DATE	ALTERED
01	22.11.12	CHECKED	02	07.10.13	CHECKED

REV	DATE	ALTERED	REV	DATE	ALTERED
01	22.11.12	CHECKED	02	07.10.13	CHECKED

REV	DATE	ALTERED	REV	DATE	ALTERED
01	22.11.12	CHECKED	02	07.10.13	CHECKED

REV	DATE	ALTERED	REV	DATE	ALTERED
01	22.11.12	CHECKED	02	07.10.13	CHECKED

REV	DATE	ALTERED	REV	DATE	ALTERED
01	22.11.12	CHECKED	02	07.10.13	CHECKED

REV	DATE	ALTERED	REV	DATE	ALTERED
01	22.11.12	CHECKED	02	07.10.13	CHECKED

REV	DATE	ALTERED	REV	DATE	ALTERED
01	22.11.12	CHECKED	02	07.10.13	CHECKED

REV	DATE	ALTERED	REV	DATE	ALTERED
01	22.11.12	CHECKED	02	07.10.13	CHECKED

REV	DATE	ALTERED	REV	DATE	ALTERED
01	22.11.12	CHECKED	02	07.10.13	CHECKED

REV	DATE	ALTERED	REV	DATE	ALTERED
01	22.11.12	CHECKED	02	07.10.13	CHECKED

REV	DATE	ALTERED	REV	DATE	ALTERED
01	22.11.12	CHECKED	02	07.10.13	CHECKED

REV	DATE	ALTERED	REV	DATE	ALTERED
01	22.11.12	CHECKED	02	07.10.13	CHECKED

REV	DATE	ALTERED	REV	DATE	ALTERED
01	22.11.12	CHECKED	02	07.10.13	CHECKED

REV	DATE	ALTERED	REV	DATE	ALTERED
01	22.11.12	CHECKED	02	07.10.13	CHECKED

REV	DATE	ALTERED	REV	DATE	ALTERED
01	22.11.12	CHECKED	02	07.10.13	CHECKED

REV	DATE	ALTERED	REV	DATE	ALTERED
01	22.11.12	CHECKED	02	07.10.13	CHECKED

REV	DATE	ALTERED	REV	DATE	ALTERED
01	22.11.12	CHECKED	02	07.10.13	CHECKED

REV	DATE	ALTERED	REV	DATE	ALTERED
01	22.11.12	CHECKED	02	07.10.13	CHECKED

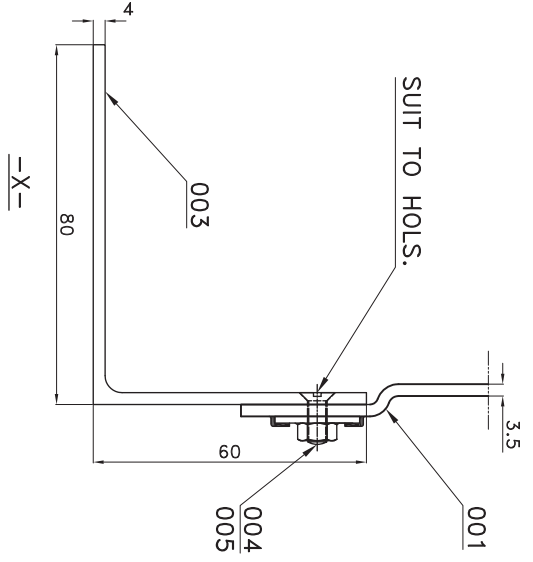
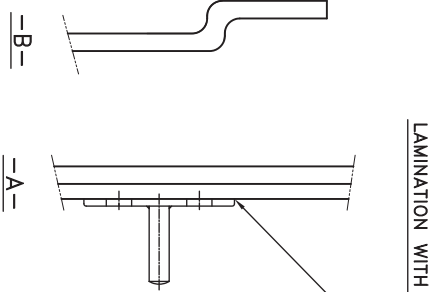
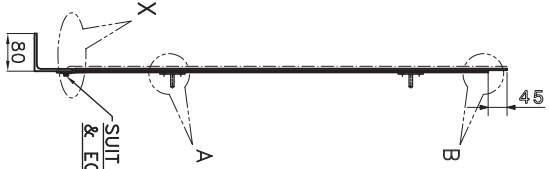
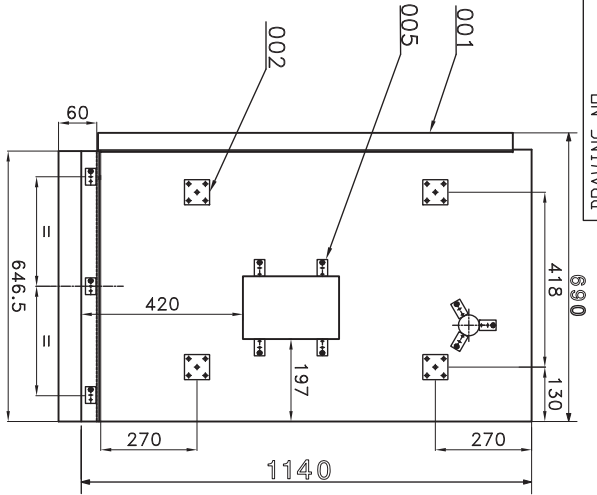
REV	DATE	ALTERED	REV	DATE	ALTERED
01	22.11.12	CHECKED	02	07.10.13	CHECKED

REV	DATE	ALTERED	REV	DATE	ALTERED
01	22.11.12	CHECKED	02	07.10.13	CHECKED

REV	DATE	ALTERED	REV	DATE	ALTERED
01	22.11.12	CHECKED	02	07.10.13	CHECKED

REV	
-----	--

802 50 53 61 L 3

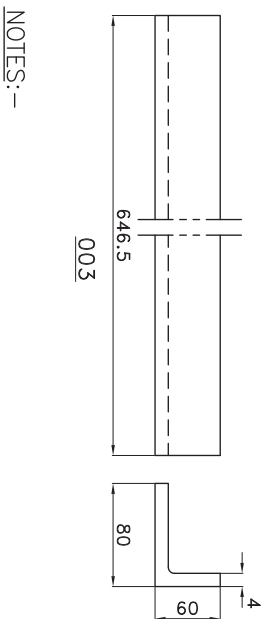


THIS INFORMATION ON THE DOCUMENT IS THE PROPERTY OF BHARAT HEAVY ELECTRICALS LIMITED.  
IT MUST NOT BE USED DIRECTLY OR INDIRECTLY IN ANY WAY DETRIMENTAL TO THE INTEREST OF THE COMPANY.

REF. DRG. NO.  
**R083S018**

SIGN & DATE

INVENTORY NO.



REV	DATE	ALTERED	REV	DATE	ALTERED	ITEM NO.	REMARKS	ITEM NO.	DESCRIPTION	STD	DRAWING NO.	IT. NO.	MATL. CODE	A	UNIT WT.	QTY.
010			02	07.10.13	CHECKED	005	OFFSET NUT PLATE SUB ASSY.	005	OFFSET NUT PLATE SUB ASSY.	4	719 36 05 008		AA7122101177			
010						004	SCREW CSK HEAD M6x20 STEEL	004	SCREW CSK HEAD M6x20 STEEL				AA7122101		0.015	
001						003	ALUMINIUM UNEQUAL ANGLE 80x60x4TK.	003	ALUMINIUM UNEQUAL ANGLE 80x60x4TK.				IS:3909-1986	€	0.976	
004						002	OFFSET STUD PLATE SUB ASSY.	002	OFFSET STUD PLATE SUB ASSY.	4	719 36 05 011	00				646.5
001						001	CEILING PANEL (RH)	001	CEILING PANEL (RH)	3	719 35 05 223	001				

ADDITIONAL INFORMATION  
STATUS OF DRAWING U

TYPE OF PRODUCT  
DR  
NAME OF CUSTOMER/PROJECT  
M/s RAILWAY BOARD, NEW DELHI

WAG-7 LOCO  
CARD TYPE - 1

DISTRIBUTION OF PRINTS  
LME (DW) - 1  
LMP (DW) - 1  
LMM (DW) - 3

BHARAT HEAVY ELECTRICALS LTD.  
JHANSI

NAME  
P. SINGH  
Sd/-  
15.07.10

DATE  
15.07.10

REV 01  
DATE 22.11.12  
CHECKED

DEPT LME  
GRADE OF UN. TOL. DIM. C/M/F  
SCALE NTS

REF. TO ASSY. NO.  
1 719 35 05 021

QTY. OF ITEM 004 & 005 WAS 003  
DRG. UPDATED.

TITLE  
CEILING PANEL ASSY. (RH)

DRAWING NO.  
3 719 35 05 208

REV	DATE	ALTERED	REV	DATE	ALTERED
CHECKED			02	07.10.13	CHECKED

IN IT. 003 DIM. 60 & 80 WAS 80 & 60 RESPECTIVELY

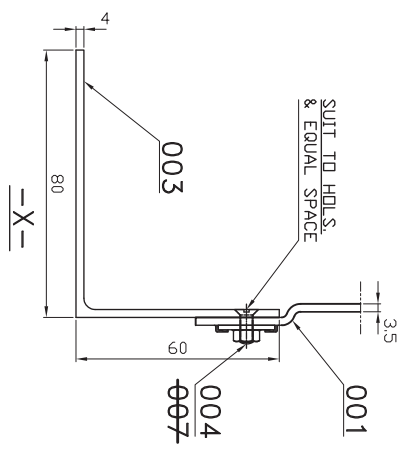
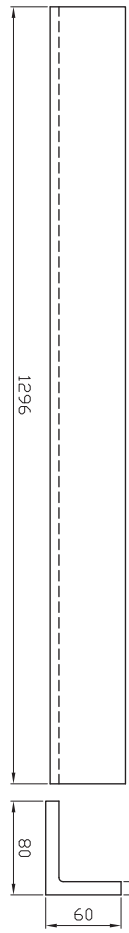
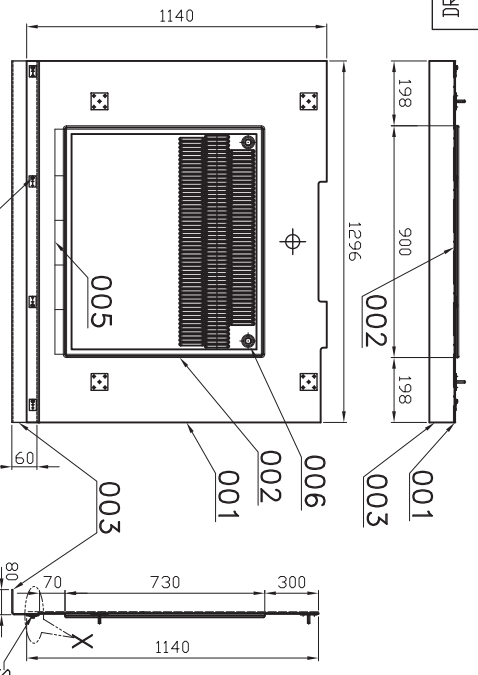
DEPT LME  
GRADE OF UN. TOL. DIM. C/M/F  
SCALE NTS

DRAWING NO.  
3 719 35 05 208

602 50 53 61 L 3

DIMNL. TOL:-

AS PER CORP. STD. AA 062 11 04 GRADE OF ACCURACY 'A' UNLESS OTHERWISE STATED.



ITEM NO	ITEM DESCRIPTION	QTY	DRAWING NO.	IT. NO.	MATL. CODE	A	UNIT WT.
004	OFFSET NUT PLATE SUB-ASSY.	4	719 35 05 224	001	AA7122101177	1	0.015
002	CAM LOCK	3	719 35 05 216	001	AA7122101	1	1.944
001	B.D.T.	3	719 35 05 224	001	IS:3909-1986	1	1296
004	SCREW CSK HEAD M6x20 STEEL.						
001	ALUMINIUM UNEQUAL ANGLE. 80x60x4TK.						
001	AC DUCT HATCH						
001	CEILING PANEL MIDDLE						

NOTES:-  
1. FINISHED SURFACE IS ON THE BOTTOM SIDE.

REF. DRG. NO.  
R083S020

THIS INFORMATION ON THE DOCUMENT IS THE PROPERTY OF BHARAT HEAVY ELECTRICALS LIMITED. IT MUST NOT BE USED DIRECTLY OR INDIRECTLY IN ANY WAY DETRIMENTAL TO THE INTEREST OF THE COMPANY.

SIGN & DATE

REV	DATE	ALTERED	REV	DATE	ALTERED
03	07.10.13	CHECKED	02	09.05.13	CHECKED

INVT. NO. 03  
DATE 07.10.13  
CHECKED  
REV 02  
DATE 09.05.13  
ALTERED -M. K. Somware  
DIMMS. 900, 198, 730 & 70 WERE 825, 242, 420 & 70 RESPLY. DRG. REDRAWN & UPDATED.

ADDITIONAL INFORMATION  
STATUS OF DRAWING

TYPE OF PRODUCT  
NAME OF CUSTOMER/PROJECT  
M/s RAILWAY BOARD, NEW DELHI

DISTRIBUTION OF PRINTS  
LME (DV) - 1  
LMP (DV) - 1  
LMM (DV) - 3

DEPT LME  
GRADE OF UN. TOL. DIM. C/M/F  
SCALE NTS  
WEIGHT (KGS)  
BHRAT HEAVY ELECTRICALS LTD.  
JHANSI

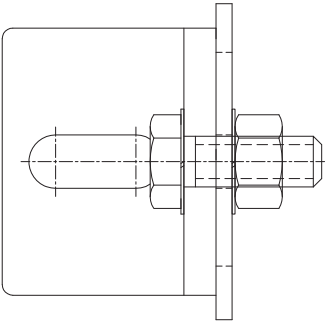
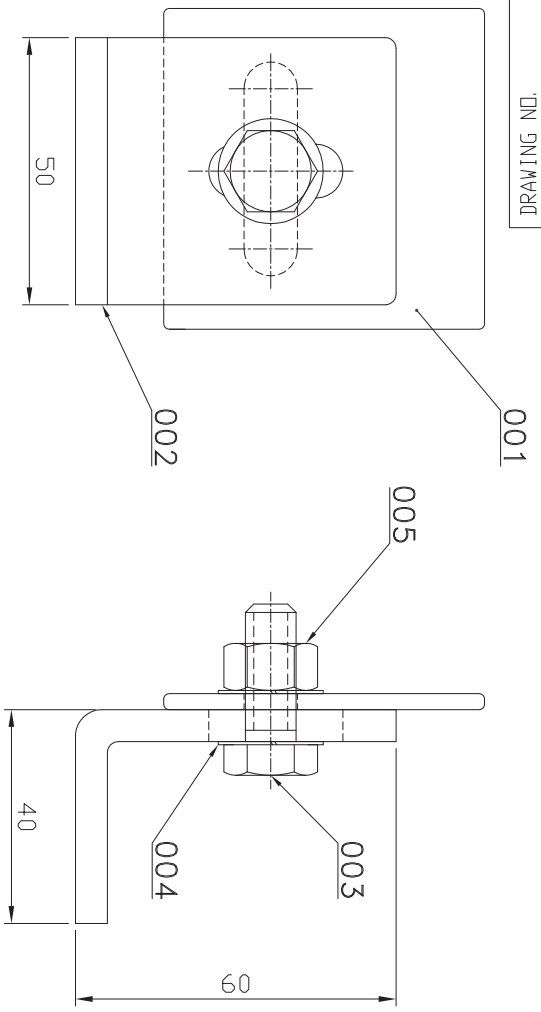
REV 01  
DATE 22.11.12  
CHECKED  
SD/-  
ITEM NO. 007 DELETED. DIMMS. 1140, 380, & 300 WERE 1076, 1046, 378 & 248 RESPLY. DRG. UPDATED.

TITLE  
MIDDLE CEILING PANEL ASSY.  
CARD CODE  
DRAWING NO. 3 719 35 05 209  
SHEET NO. 01  
NO. OF SHEETS 01

DRN	NAME	SIGN	DATE	NO. OF
P. SINGH			15.07.10	VAR
S.B.ARYA			15.07.10	VAR
DKC/GR			15.07.10	01

017 50 58 61 L 3  
DRAWING

DIMNL. TOL:- AS PER CORP. STD. AA 062 11 04 GRADE OF ACCURACY 'A' UNLESS OTHERWISE STATED.



VAR 00	REMARKS	REV	ITEM NO.	DESCRIPTION	DRAWING NO.	IT. NO.	MATL. CODE	A - C	UNIT WT.	QTY.
002			005	WASHER SPRG. SC B8			AA7164002053		0.00160	
001			004	HEX. NUT M8			AA7151115024		0.0054	
001			003	SCRU HEX. M8 x 30			JS7111122933		0.0202	
001			002	SUPPORT ANGLE	47193505204	001	AA7111122			
001			001	MTG. PALTE	47193505203	001				

CARD TYPE - 3		CARD TYPE - 1		CARD TYPE - 2	
ADDITIONAL INFORMATION		TYPE OF PRODUCT		WAG-7 LOCO	
STATUS OF DRAWING		OR		M/s RAILWAY BOARD, NEW DELHI	
DISTRIBUTION OF PRINTS		NAME OF CUSTOMER/PROJECT		BHARAT HEAVY ELECTRICALS LTD.	
LME (DV) - 1		JHANSI		S.B.ARYA	
LMP (DV) - 1		SCALE		1:1	
LMM (DV) - 3		WEIGHT (KGS)		-	

REV	DATE	ALTERED	DEPT	GRADE OF	SCALE	WEIGHT (KGS)	REF. TO ASSY. NO.	ITEM NO.	NO. OF
		CHECKED	LME	UN. TOL. DIM. C/M/F	1:1	-	719 3505	021	005
			404						

REV	DATE	ALTERED	BRN	NAME	SIGN	DATE	NO. OF
		CHECKED	CHD	M.K.SONWANE		6.07.10	VAR
			APPD	S.B.ARYA		16.07.10	
						16.07.10	01

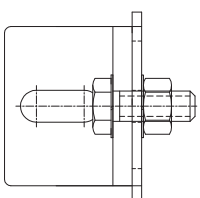
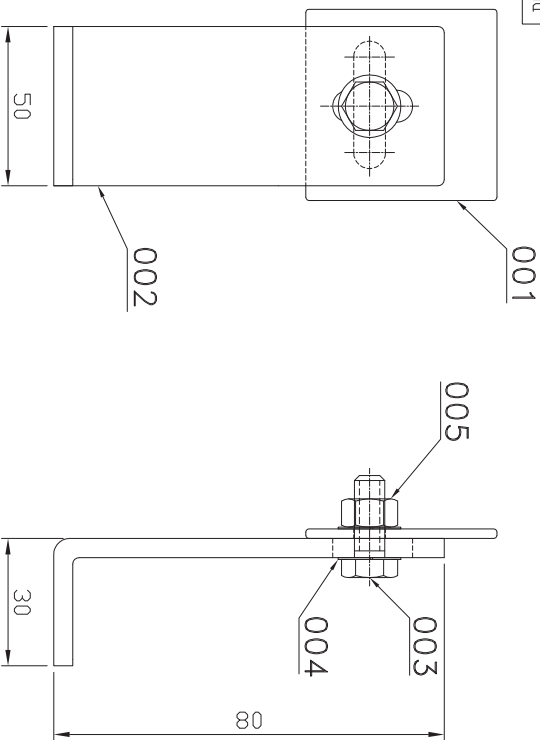
TITLE		CARD CODE	DRAWING NO.	REV.
ADJUSTABLE BRACKET ASSY-1			3 719 35 05 210	00
SHEET NO. 01		NO. OF SHEETS	01	

INVENTORY NO. SIGN & DATE REF. DRG. NO. R083S024 THIS INFORMATION ON THE DOCUMENT IS THE PROPERTY OF BHARAT HEAVY ELECTRICALS LIMITED. IT MUST NOT BE USED DIRECTLY OR INDIRECTLY IN ANY WAY DETRIMENTAL TO THE INTEREST OF THE COMPANY.

112 50 53 61 L 3  
ON INWARD

DIMNL. TOL: - AS PER CORP. STD. AA 062 11 04 GRADE OF ACCURACY 'A' UNLESS OTHERWISE STATED.

(ALL DIMENSIONS ARE IN mm)



VAR 00	REMARKS	ITEM NO	DESCRIPTION	DRAWING NO.	IT. NO.	MATL. CODE	A - LIMS	UNIT WT.	ND. OF
002		005	WASHER SPRG. SC B8			AA7164002053		0.00160	
001		004	HEX. NUT M8			AA7151115024		0.0054	
001		003	SCRU HEX. M8 x 30.			AA7151115		0.0202	
001		002	SUPPORT ANGLE	47193505204	002	AA1111122			
001		001	MTG. PALTE	47193505203	001				

CARD TYPE - 3

CARD TYPE - 1

CARD TYPE - 2

REF. DRG. NO.  
R083S025

THIS INFORMATION ON THE DOCUMENT IS THE PROPERTY OF BHARAT HEAVY ELECTRICALS LIMITED. IT MUST NOT BE USED DIRECTLY OR INDIRECTLY IN ANY WAY DETRIMENTAL TO THE INTEREST OF THE COMPANY.

SIGN & DATE

REV

DATE

ALTERED  
CHECKED

REV

DATE

ALTERED  
CHECKED

ADDITIONAL INFORMATION

STATUS OF DRAWING U

DISTRIBUTION OF PRINTS

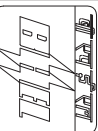
LME (DV) - 1  
LMP (DV) - 1  
LMM (DV) - 3

TYPE OF PRODUCT

WAG-7 LOCO

NAME OF CUSTOMER/PROJECT

M/s RAILWAY BOARD, NEW DELHI



BHARAT HEAVY ELECTRICALS LTD.  
JHANSI

DEPT LME  
CODE 404



SCALE NTS

WEIGHT (KGS) -

DRN	NAME	SIGN	DATE	ND. OF
CHD	M.K.SOMWANE		16.07.10	01
APPD	S.B.ARYA		16.07.10	01
	DKC/GR		16.07.10	01

REF. TO ASSY. NO. 1 719 3505 021

ITEM NO. 019  
ND. OF 005

TITLE  
ADJUSTABLE BRACKET  
ASSY-2

CARD CODE  
DRAWING NO. 3 719 35 05 211

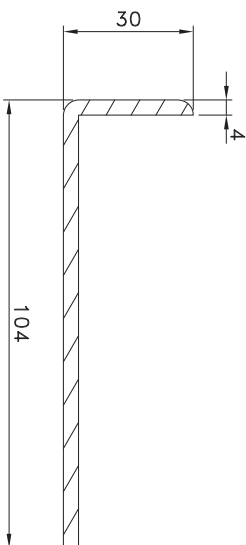
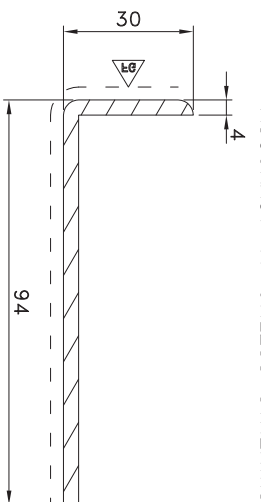
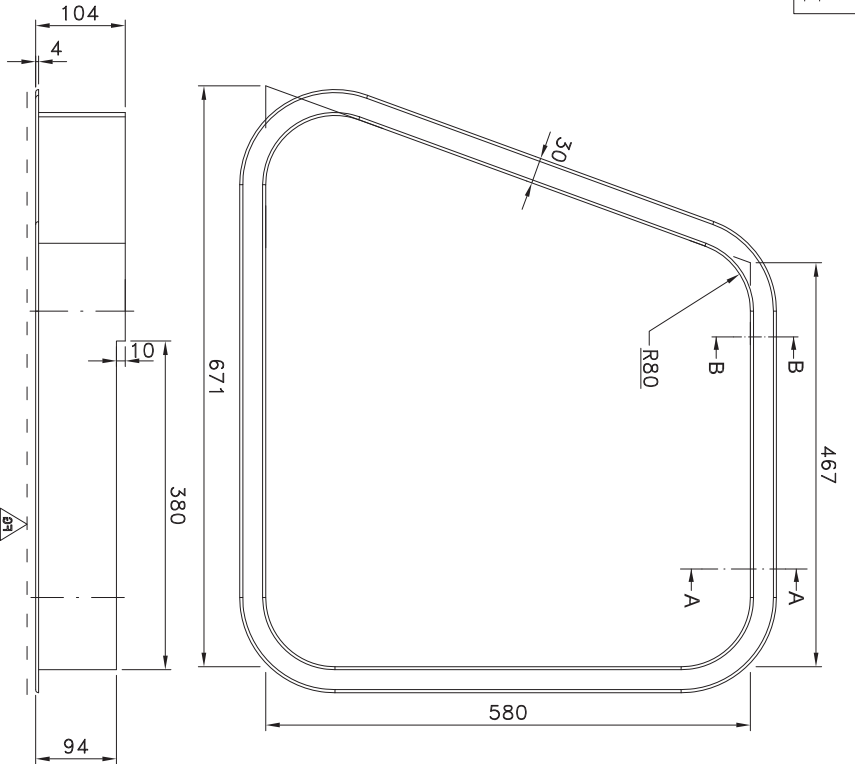
SHEET NO. 01 ND. OF SHEETS 01

212 50 53 61 L 3  
DRAWING

DIMNL. TOL: - AS PER CORP. STD. AA 062 11 04 GRADE OF  
ACCURACY 'A' UNLESS OTHERWISE STATED.

(ALL DIMENSIONS ARE IN MM)

THIS INFORMATION ON THE DOCUMENT IS THE PROPERTY OF BHARAT HEAVY ELECTRICALS LIMITED.  
IT MUST NOT BE USED DIRECTLY OR INDIRECTLY IN ANY WAY DETRIMENTAL TO THE INTEREST OF THE COMPANY.



VAR 00	REMARKS	VAR 00	ITEM NO	DESCRIPTION	QTY	DRAWING NO.	IT. NO.	MATL. CODE	A	B	C	UNIT WT.	QTY.
001			001	SIDE WINDOW LINER - RH									

REF. DRG. NO.  
R083F203

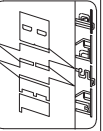
SIGN & DATE

INVENTORY NO.

- NOTES:-
1. UNSPECIFIED RADIUS : 3 mm.
  2. ALL INSIDE EDGES (GELCOAT SIDE) TO BE ROUNDED OF WITH 3mm RADIUS.
  3. PANELS WILL BE TRIMED AS PER REQUIREMENT WHILE ASSEMBLING.
  4. FRP MATERIAL TO RDSO SPECIFICATION NO.-RDSO/2008/EL/SP/EL/0058 (REV.-0) MAR.2008
  5. FINISH:- NATURAL

REV	DATE	ALTERED	CHECKED

STATUS OF DRAWING U  
DISTRIBUTION OF PRINTS  
LME (DV) - 1  
LMP (DV) - 1  
LMM (DV) - 3



BHARAT HEAVY ELECTRICALS LTD.  
JHANSI

DRN	NAME	SIGN	DATE	NO. OF
T.R.DHADSE			05.07.10	VAR
S.BARYA			05.07.10	
DKC/GR			05.07.10	00

ADDITIONAL INFORMATION

TYPE OF PRODUCT  
NTS DR  
NAME OF CUSTOMER/PROJECT  
M/s RAILWAY BOARD, NEW DELHI

WAG-7 LOCO  
CARD TYPE - 1

REV	DATE	ALTERED	CHECKED

DEPT	LME	GRADE OF UN. TOL. DIM. C/M/F	SCALE	WEIGHT (KGS)	REF. TO ASSY. NO.	ITEM NO	NO. OF
404			NTS		1 719 35 05 021	014	001

TITLE  
SIDE WINDOW LINER - (RH)

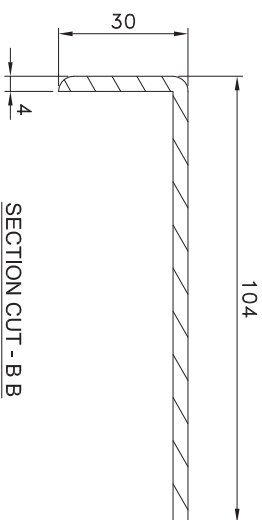
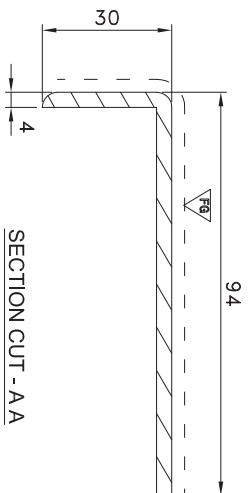
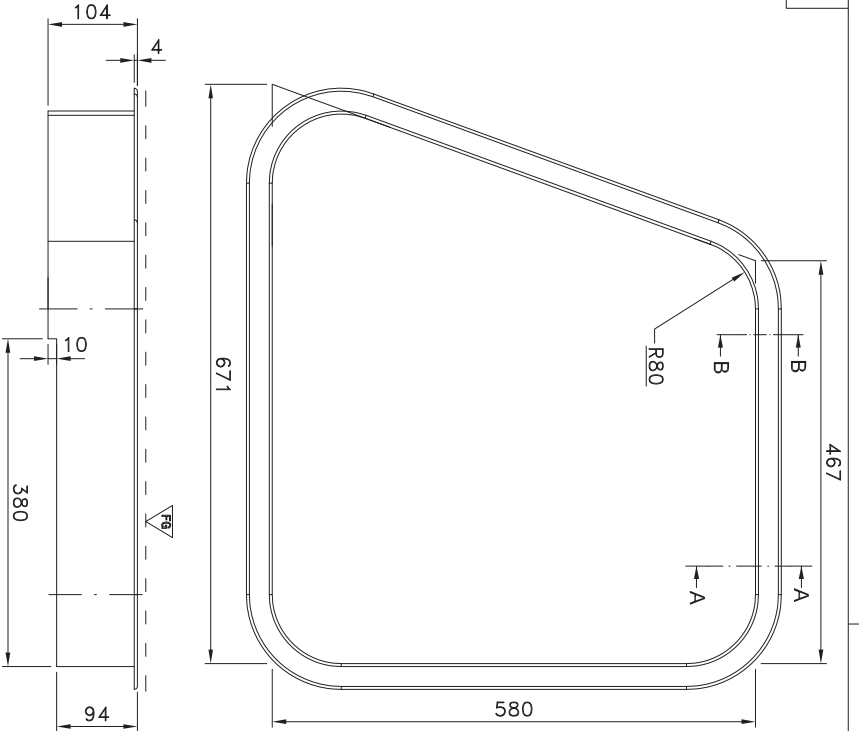
CARD CODE	DRAWING NO.	SHEET NO	NO. OF SHEETS	REV.
	3 719 35 05 212	01	01	00

317 50 56 61 L 3  
DRAWING

DIMNL. TOL:- AS PER CORP. STD. AA 062 11 04 GRADE OF ACCURACY 'A' UNLESS OTHERWISE STATED.

(ALL DIMENSIONS ARE IN mm)

THIS INFORMATION ON THE DOCUMENT IS THE PROPERTY OF BHARAT HEAVY ELECTRICALS LIMITED. IT MUST NOT BE USED DIRECTLY OR INDIRECTLY IN ANY WAY DETRIMENTAL TO THE INTEREST OF THE COMPANY.



REF. DRG. NO.  
R083F218

SIGN & DATE

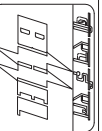
INVENTORY NO.

- NOTES:-
1. UNSPECIFIED RADIUS : 3 mm.
  2. ALL INSIDE EDGES (GELCOAT SIDE) TO BE ROUNDED OFF WITH 3mm RADIUS.
  3. PANELS WILL BE TRIMED AS PER REQUIREMENT WHILE ASSEMBLING.
  4. FRP MATERIAL TO RDSO SPECIFICATION NO.-RDSO/2008/EL/SPEL/0056
  5. FINISH:- NATURAL

REV	DATE	ALTERED	CHECKED

REV	DATE	ALTERED	CHECKED

STATUS OF DRAWING U  
DISTRIBUTION OF PRINTS  
LME (DV) - 1  
LMP (DV) - 1  
LMM (DV) - 3



BHARAT HEAVY ELECTRICALS LTD.  
JHANSI

DRN	NAME	SIGN	DATE	NO. OF VAR
I.R.DHADSE			05.07.10	
S.BARYA			05.07.10	
DKC/GR			05.07.10	

VAR. NO	REMARKS	REV	DATE	ALTERED	CHECKED
001		001			

ITEM NO	DESCRIPTION	QTY	DRAWING NO.	UNIT WT.
001	SIDE WINDOW LINER - LH			

TYPE OF PRODUCT	NAME OF CUSTOMER/PROJECT	SCALE	WEIGHT (KGS)
DR	M/s RAILWAY BOARD, NEW DELHI	NTS	-

DEPT	LME	UN. TOL.	DIM. C/M/F	GRADE OF	SCALE	WEIGHT (KGS)
404					NTS	-

TITLE	CARD CODE	DRAWING NO.	SHEET NO.	NO. OF SHEETS
SIDE WINDOW LINER - (LH)		3 719 35 05 213	01	01

412 50 56 612 3  
DRAWING

DIMNL. TOL:- AS PER CORP. STD. AA 062 11 04 GRADE OF ACCURACY 'A' UNLESS OTHERWISE STATED.

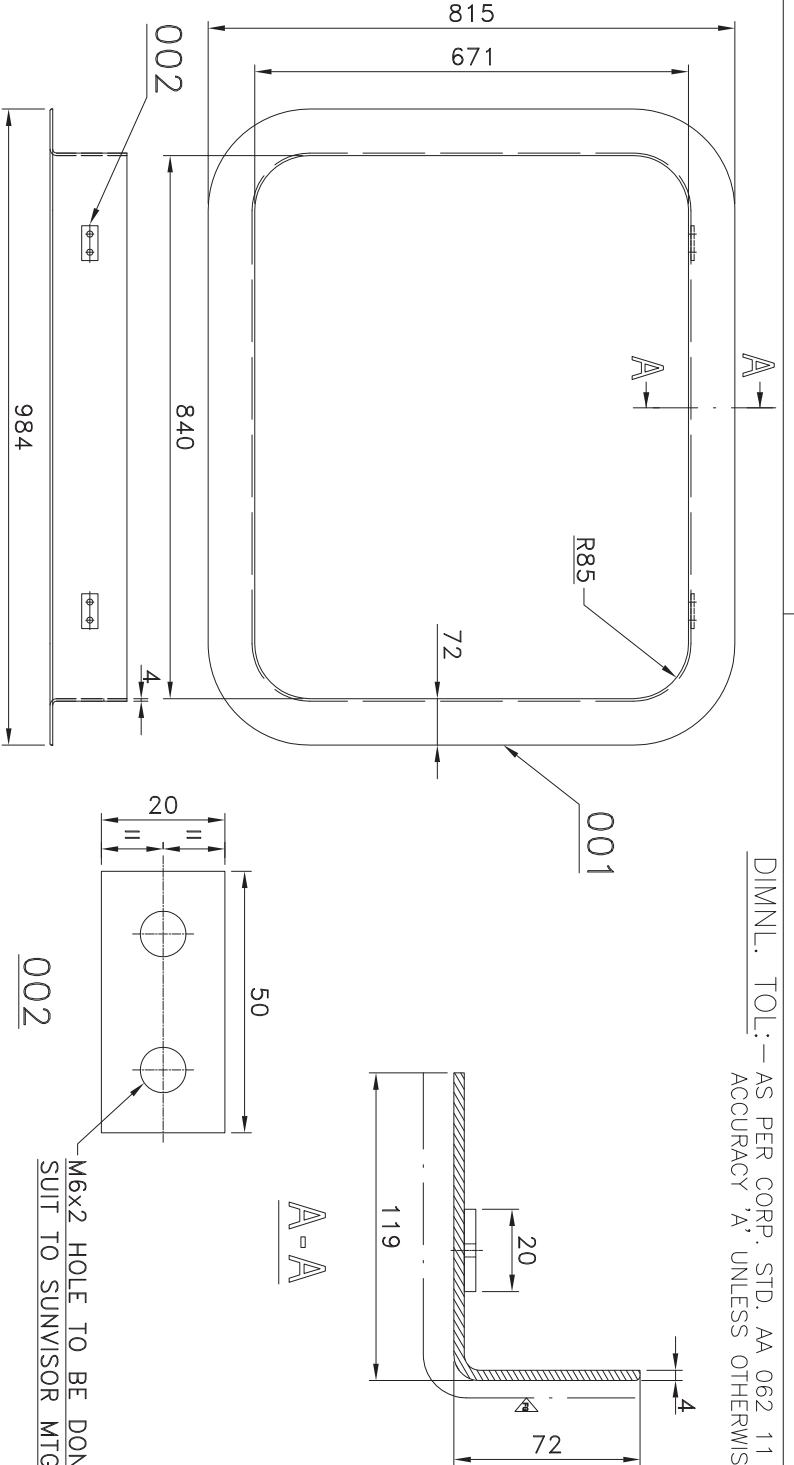
(ALL DIMENSIONS ARE IN mm)

THIS INFORMATION ON THE DOCUMENT IS THE PROPERTY OF BHARAT HEAVY ELECTRICALS LIMITED. IT MUST NOT BE USED DIRECTLY OR INDIRECTLY IN ANY WAY DETRIMENTAL TO THE INTEREST OF THE COMPANY.

REF. DRG. NO.  
R083F210

SIGN & DATE

INVENTORY NO.



NOTES:-

1. UNSPECIFIED RADIUS : 3 mm.
2. ALL INSIDE EDGES (GELCOAT SIDE) TO BE ROUNDED OFF WITH 3mm RADIUS.
3. PANELS WILL BE TRIMED AS PER REQUIREMENT WHILE ASSEMBLING.
4. FRP MATERIAL TO RDSO SPECIFICATION NO.-RDSO/2008/EL/SPEL/0058 (REV.-0) MAR,2008
5. FINISH:- NATURAL

VAR 00	REMARKS	ISS NO	DESCRIPTION	ISS	DRAWING NO	IT. NO.	MATL. CODE	A	UNIT WT.
002		002	STEEL SHEET 2TK x 20				AA1011711111	E	50
002		001	WIND SCREEN LINER				SEE NOTE	E	

ADDITIONAL INFORMATION

STATUS OF DRAWING U

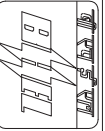
DISTRIBUTION OF PRINTS

LME (DV) - 1  
LMP (DV) - 1  
LMM (DV) - 3

TYPE OF PRODUCT

DR

M/s RAILWAY BOARD, NEW DELHI



BHARAT HEAVY ELECTRICALS LTD.  
JHANSI

DEPT LME  
UN. TOL. DIM. C/M/F  
SCALE NTS  
WEIGHT (KGI)

TITLE  
WIND SCREEN LINER

CARD CODE

DRN	NAME	SIGN	DATE	ND. OF
I.R.DHADSE			05.07.10	01
S.B.ARYA			05.07.10	00
DKC/GR			05.07.10	00

REF. TO ASSY. NO.  
1 719 35 05 021

ITEM NO. OF  
016 001

DRAWING NO.  
3 719 35 05 214

SHEET NO. 01 ND. OF SHEETS 01

REV DATE

ALTERED CHECKED

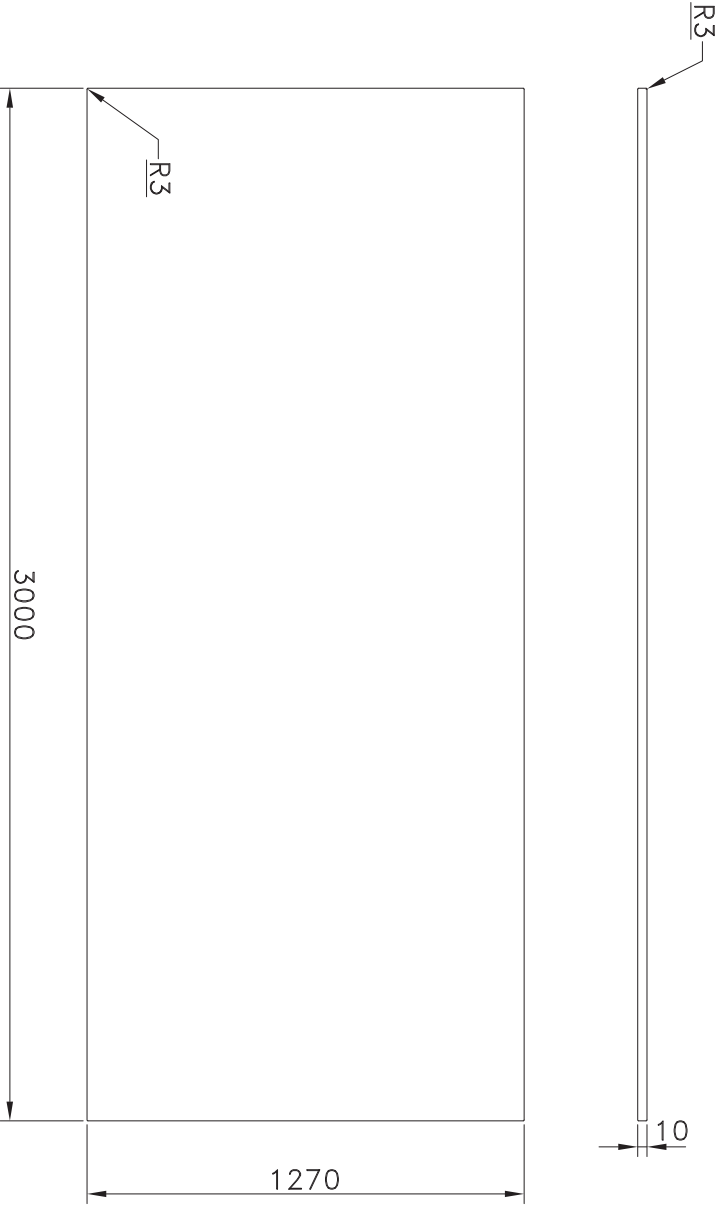
REV DATE

ALTERED CHECKED

**512 50 53 617 3**  
DRAWING NO. ENGINEERING

DIMNL. TOL: - AS PER CORP. STD. AA 062 11 04 GRADE OF ACCURACY 'A' UNLESS OTHERWISE STATED.

THIS INFORMATION ON THE DOCUMENT IS THE PROPERTY OF BHARAT HEAVY ELECTRICALS LIMITED. IT MUST NOT BE USED DIRECTLY OR INDIRECTLY IN ANY WAY DETRIMENTAL TO THE INTEREST OF THE COMPANY.



001		001	FLOOR PANEL																	
VAR. 00	REMARKS	ITEM NO.	DESCRIPTION	ES	DRAWING NO.	IT. NO.	MATL. CODE	A	UNIT WT.											
						VAR.	MATL. SPECN	C	QTY.											

ADDITIONAL INFORMATION  
STATUS OF DRAWING U

DISTRIBUTION OF PRINTS  
LME (DV) - 1  
LMP (DV) - 1  
LMM (DV) - 3

REV DATE ALTERED CHECKED

NOTES:-  
1. ALL SHARP EDGES AND CORNERS TO BE ROUNDED OFF.  
2. PANELS WILL BE TRIMMED AS PER REQUIREMENT WHILE ASSY  
3. FRP MATERIAL TO RDSO SPECIFICATION NO.-RDSO/2008/EL/SPEL/0058 (REV.-0) MAR,2008  
4. FINISH:- NATURAL

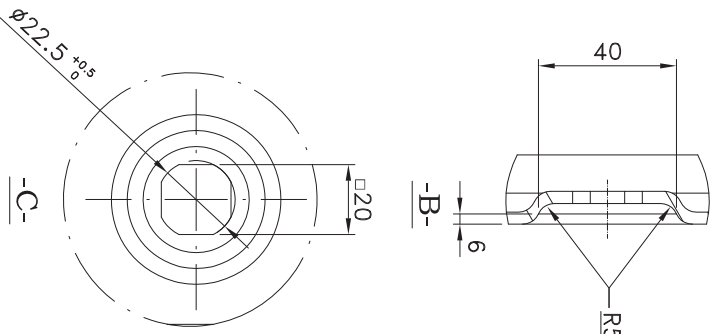
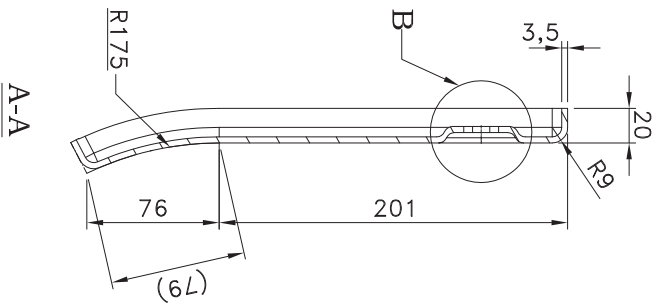
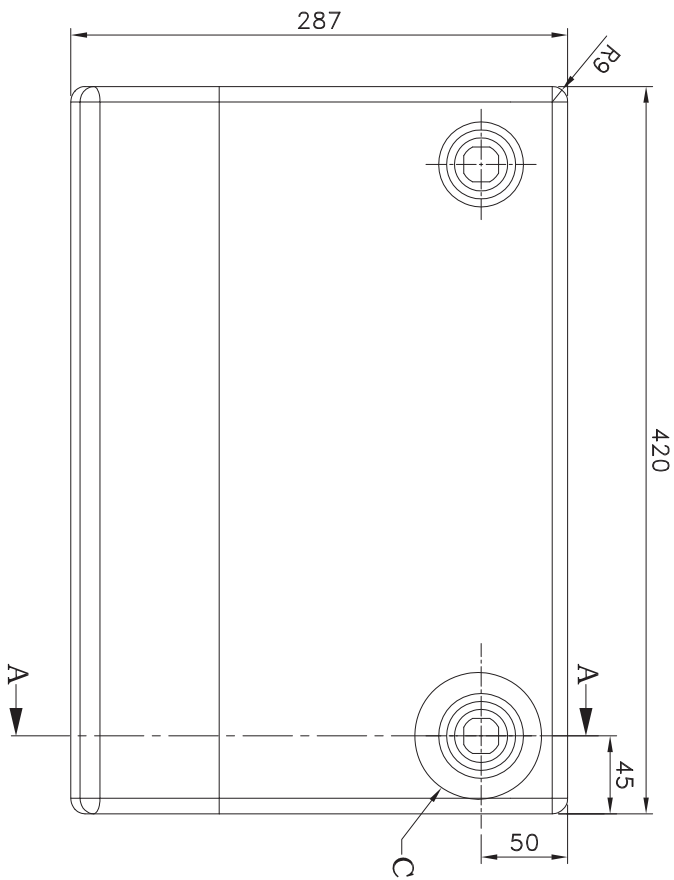
INVENTORY NO.	SIGN & DATE	REF. DRG. NO. R083F211
REV DATE ALTERED CHECKED	REV DATE ALTERED CHECKED	
DEPT LME CODE 404	GRADE OF UN. TOL. DIM. C/M/F	SCALE NTS
TITLE <b>FLOOR SHEET</b>		
CARD CODE	DRAWING NO.	SHEET NO.
	<b>3 719 35 05 215</b>	01
		ND. OF SHEETS 01



717 50 53 61 L 3  
DRAWN

DIMNL. TOL:-

AS PER CORP. STD. AA 062 11 04 GRADE OF ACCURACY 'A' UNLESS OTHERWISE STATED.



THIS INFORMATION ON THE DOCUMENT IS THE PROPERTY OF BHARAT HEAVY ELECTRICALS LIMITED. IT MUST NOT BE USED DIRECTLY OR INDIRECTLY IN ANY WAY DETRIMENTAL TO THE INTEREST OF THE COMPANY.

REF. DRG. NO.  
**R083F229**

SIGN & DATE

INVENTORY NO.

- NOTES:-
1. ALL INSIDE EDGES (GELCOAT SIDE) TO BE ROUNDED OFF WITH 3mm RADIUS.
  2. FRP MATERIAL TO RDSO SPECIFICATION NO.- RDSO/2008/EL/SP/EL/0058 (REV.-0) MAR,2008
  3. FINISH:- NATURAL

REV	DATE	ALTERED	REV	DATE	ALTERED
		CHECKED			CHECKED

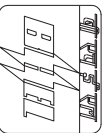
VAR. NO	REMARKS	REV	DATE	ALTERED	ITEM NO	DESCRIPTION	QTY	DRAWING NO.	UNIT WT.
001					001	HEAD LIGHT HATCH			

ADDITIONAL INFORMATION

STATUS OF DRAWING U

DISTRIBUTION OF PRINTS

LME (DV) - 1  
LMP (DV) - 1  
LMM (DV) - 3



BHARAT HEAVY ELECTRICALS LTD.  
JHANSI

M/s RAILWAY BOARD, NEW DELHI

TYPE OF PRODUCT OR  
WAG-7 LOCO

DEPT LME  
UN. TOL. DIM C/M/F  
SCALE NTS  
WEIGHT (KG) -

TITLE  
**HEAD LIGHT HATCH**

DRN	NAME	SIGN	DATE	NO. OF
M.K.SONWANE			05.07.10	VAR
S.B.ARYA			05.07.10	
DKC/GR			05.07.10	

REF. TO ASSY. NO.	ITEM NO.	NO. OF
2 719 35 05 014	002	001

CARD CODE	DRAWING NO.	SHEET NO.	NO. OF SHEETS	REV.
	<b>3 719 35 05 217</b>	01	01	00

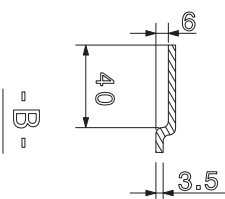
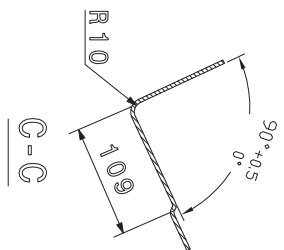
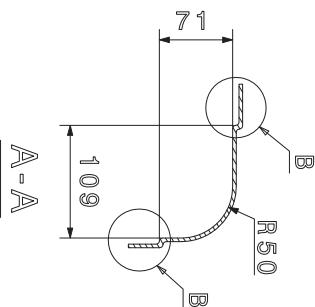
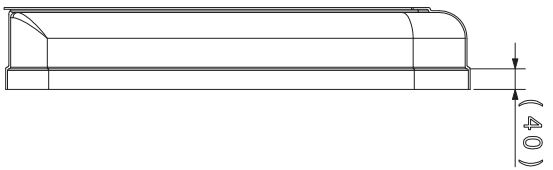
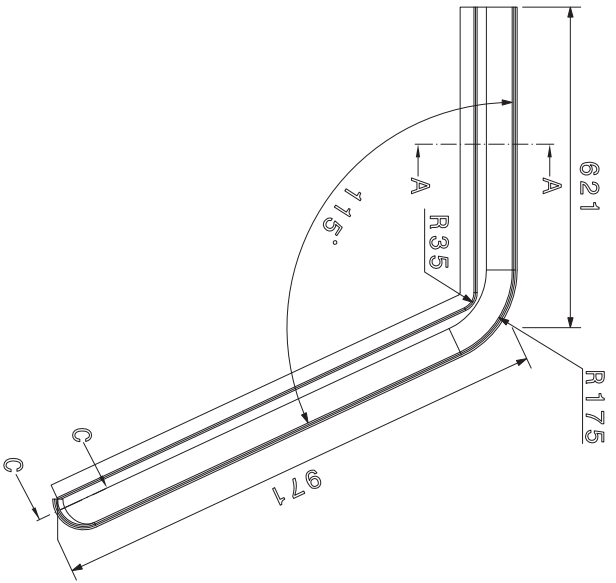


612 50 58 612 3

ON VIEW

DIMNL. TOL:-

AS PER CORP. STD. AA 062 11 04 GRADE OF ACCURACY 'A' UNLESS OTHERWISE STATED.



THIS INFORMATION ON THE DOCUMENT IS THE PROPERTY OF BHARAT HEAVY ELECTRICALS LIMITED. IT MUST NOT BE USED DIRECTLY OR INDIRECTLY IN ANY WAY DETRIMENTAL TO THE INTEREST OF THE COMPANY.

REF. DRG. NO.  
**R083F204**

SIGN & DATE

INVENTORY NO.

NOTES:-

1. ALL INSIDE EDGES (GELCOAT SIDE) TO BE ROUNDED OFF WITH 3mm RADIUS.
2. FRP MATERIAL TO RDSO SPECIFICATION NO.- RDSO/2008/EL/SP/EL/0058 (REV.-0) MAR,2008
3. FINISH:- NATURAL

REV	DATE	ALTERED	CHECKED	REV	DATE	ALTERED	CHECKED

001		001	LEFT SIDE WINDOW A-PILLAR PANEL																
VAR 00	REMARKS	VAR 00	DESCRIPTION	EQS	DRAWING NO.	IT. NO.	MATL. CODE	A	UNIT Wt.										

ADDITIONAL INFORMATION		TYPE OF PRODUCT		NAME OF CUSTOMER/PROJECT		M/S RAILWAY BOARD, NEW DELHI	
STATUS OF DRAWING U		DR		BHARAT HEAVY ELECTRICALS LTD.		JHANSI	
DISTRIBUTION OF PRINTS		GRADE OF UN. TOL. DIM. C/M/F		SCALE		WEIGHT (KG)	
LME (DW) - 1	LMP (DW) - 1	LMM (DW) - 3		NTS	-		

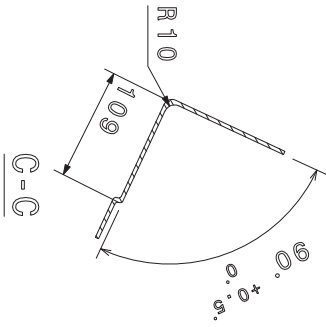
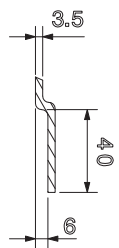
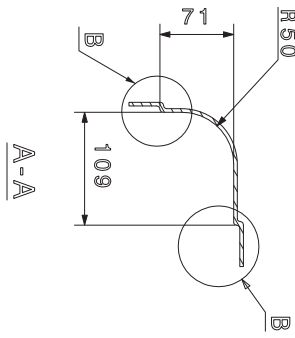
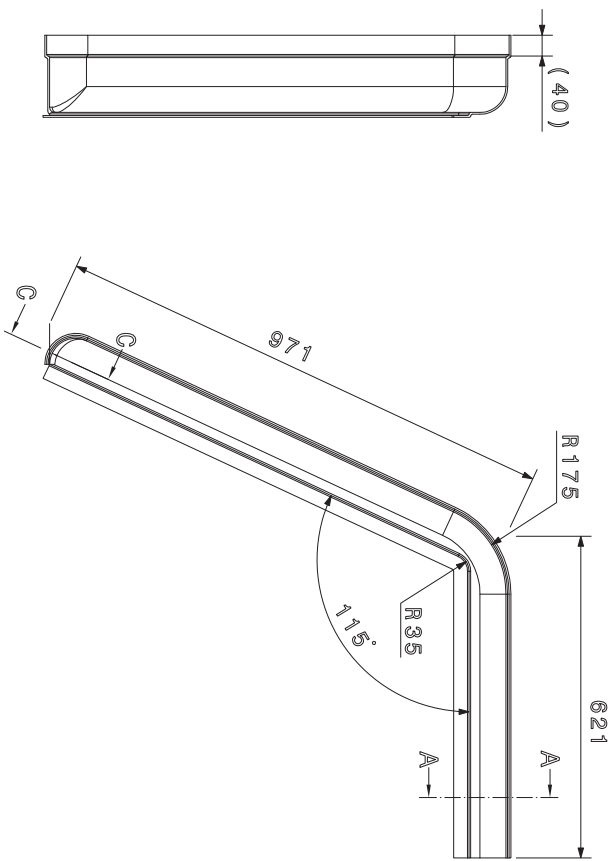
REV	DATE	ALTERED	CHECKED	REV	DATE	ALTERED	CHECKED

TITTLE		CARD CODE		DRAWING NO.		SHEET NO.		NO. OF SHEETS	
SIDE WINDOW A-PILLAR PANEL (L.H)		3 719 35 05 219		3 719 35 05 219		01		01	

022 50 53 61 L 3  
ON 5N1AWD

DIMNL. TOL:-

AS PER CORP. STD. AA 062 11 04 GRADE OF ACCURACY 'A' UNLESS OTHERWISE STATED.



THIS INFORMATION ON THE DOCUMENT IS THE PROPERTY OF BHARAT HEAVY ELECTRICALS LIMITED. IT MUST NOT BE USED DIRECTLY OR INDIRECTLY IN ANY WAY DETRIMENTAL TO THE INTEREST OF THE COMPANY.

REF. DRG. NO.  
**R083F205**

SIGN & DATE

INVENTORY NO.

NOTES:-

1. ALL INSIDE EDGES (GELCOAT SIDE) TO BE ROUNDED OFF WITH 3mm RADIUS.
2. FRP MATERIAL TO RDSO SPECIFICATION NO.- RDSO/2008/EL/SpEL/0058 (REV.-0) MAR,2008
3. FINISH:- NATURAL

REV	DATE	ALTERED	CHECKED	REV	DATE	ALTERED	CHECKED

VAR. 00	REMARKS	VAR. NO.	ITEM NO.	DESCRIPTION	SS	DRAWING NO.	IT. NO.	MATL. CODE	A	LINE	UNIT WT.
001			001	RIGHT SIDE WINDOW A-PILLAR PANEL							

REV	DATE	ALTERED	CHECKED

ADDITIONAL INFORMATION	TYPE OF PRODUCT	NAME OF CUSTOMER/PROJECT	DR	WAG-7 LOCO
STATUS OF DRAWING U	DR	BHARAT HEAVY ELECTRICALS LTD.	JHANSI	M/s RAILWAY BOARD, NEW DELHI

DISTRIBUITION OF PRINTS	DEPT	LME	GRADE OF UN. TOL. DIM. C/M/F	SCALE	WEIGHT (KG)	REF. TO ASSY. NO.	ITEM NO.	ND. OF
LME (DW) - 1				NTS	-	3 719 35 05 202	001	00
LMP (DW) - 1								
LMM (DW) - 3								

TITLE	CARD CODE	DRAWING NO.	REV.
SIDE WINDOW A-PILLAR PANEL (R.H)		3 719 35 05 220	00

REV	DATE	ALTERED	CHECKED

REV	DATE	ALTERED	CHECKED

T27 50 53 61 L 3  
DN DINWARD

DIMNL. TOL:-

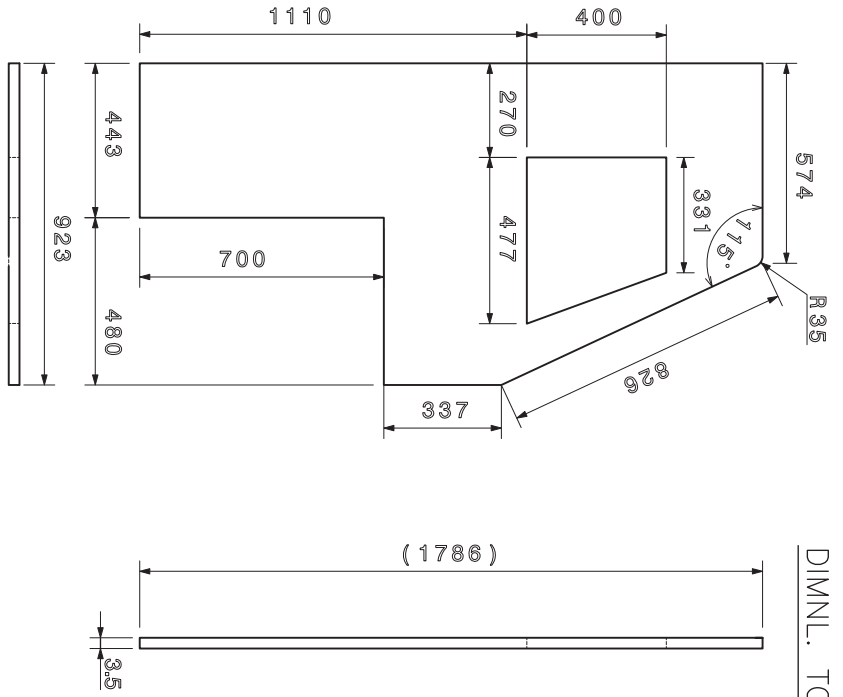
AS PER CORP. STD. AA 062 11 04 GRADE OF ACCURACY 'A' UNLESS OTHERWISE STATED.

THIS INFORMATION ON THE DOCUMENT IS THE PROPERTY OF BHARAT HEAVY ELECTRICALS LIMITED. IT MUST NOT BE USED DIRECTLY OR INDIRECTLY IN ANY WAY DETRIMENTAL TO THE INTEREST OF THE COMPANY.

REF. DRG. NO.  
**RO83F226**

SIGN & DATE

INVENTORY NO.



- NOTES:-
1. ALL INSIDE EDGES (GELCOAT SIDE) TO BE ROUNDED OFF WITH 3mm RADIUS.
  2. FRP MATERIAL TO RDSO SPECIFICATION NO.- RDSO/2008/EL/SPEL/0058 (REV.-0) MAR,2008
  3. FINISH:- NATURAL

REV	DATE	ALTERED	CHECKED	REV	DATE	ALTERED	CHECKED

VAR 00	REMARKS	REV	DATE	ALTERED	CHECKED	ITEM NO.	DESCRIPTION	STD	DRAWING NO.	IT. NO.	MATL. CODE	A	L	U	UNIT WT.
001						001	SIDE WINDOW PANEL								

ADDITIONAL INFORMATION  
STATUS OF DRAWING U  
DISTRIBUTION OF PRINTS  
LME (DW) - 1  
LMP (DW) - 1  
LMM (DW) - 3

CARD TYPE - 3  
TYPE OF PRODUCT DR  
NAME OF CUSTOMER/PROJECT  
BHARAT HEAVY ELECTRICALS LTD.  
JHANSI  
M/s RAILWAY BOARD, NEW DELHI

REV	DATE	ALTERED	CHECKED	DEPT	GRADE OF UN. TOL.	SCALE	WEIGHT (KGS)	REF. TO ASSY. NO.	DATE	ITEM NO.	REV.
01	25.9.13			LME	404	NTS	-	3 719 35 05 203	05.07.10	001	00
								3 719 35 05 201	05.07.10		

TITLE  
**SIDE WINDOW PANEL**

CARD CODE

DRAWING NO. **3 719 35 05 221**

SHEET NO. 01

NO. OF SHEETS 01

222 50 53 61 L 3  
DN DINWARD

DIMNL. TOL:-

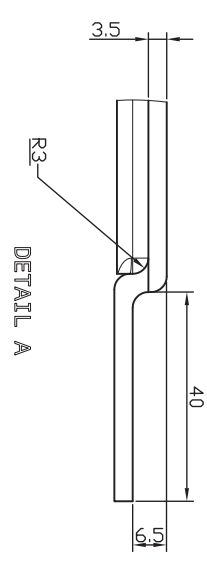
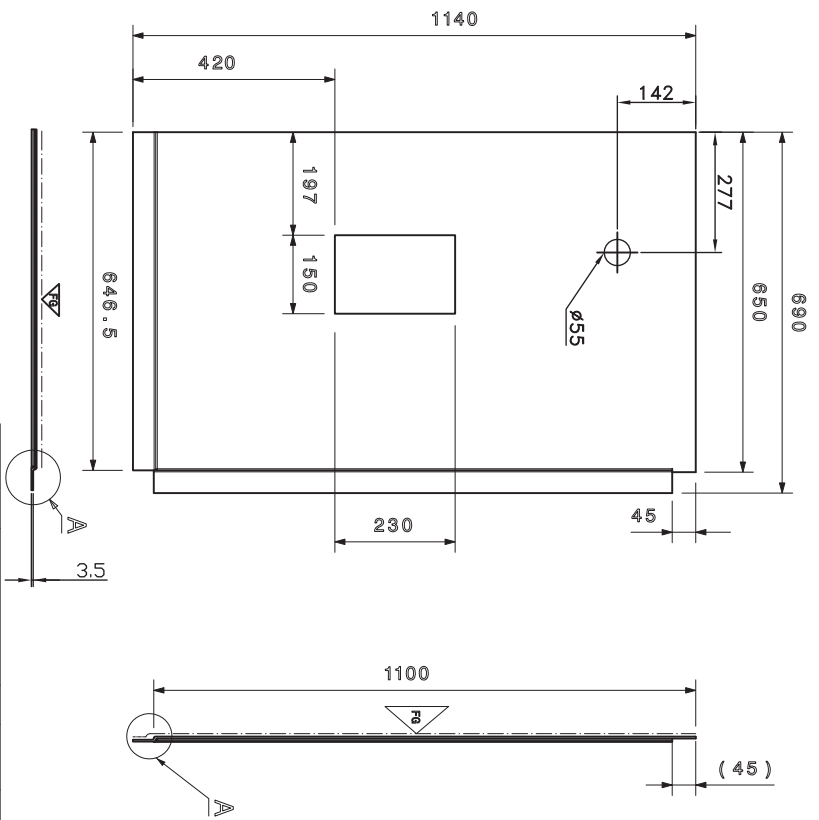
AS PER CORP. STD. AA 062 11 04 GRADE OF ACCURACY 'A' UNLESS OTHERWISE STATED.

THIS INFORMATION ON THE DOCUMENT IS THE PROPERTY OF BHARAT HEAVY ELECTRICALS LIMITED. IT MUST NOT BE USED DIRECTLY OR INDIRECTLY IN ANY WAY DETRIMENTAL TO THE INTEREST OF THE COMPANY.

REF. DRG. NO.  
**R083F220**

SIGN & DATE

INVENTORY NO.



NOTES:-

1. ALL INSIDE EDGES (GELCOAT SIDE) TO BE ROUNDED OFF WITH 3mm RADIUS.
2. PANELS WILL BE TRIMMED AS PER REQUIREMENT WHILE ASSY.
3. FRP MATERIAL TO RDSO SPECIFICATION NO.- RDSO/2008/EL/SP/EL/0058 (REV.-0) MAR,2008
4. FINISH:- NATURAL

REV	DATE	ALTERED	REMARKS	VAR NO	ITEM NO	DESCRIPTION	STD	DRAWING NO.	IT. NO.	MATL. CODE	A	L	U	UNIT WT.
001					001	CEILING PANEL								

CARD TYPE - 3

CARD TYPE - 1

CARD TYPE - 2

ADDITIONAL INFORMATION		STATUS OF DRAWING	
DISTRIBUTION OF PRINTS		U	
LME (DW) - 1	LMP (DW) - 1	LWM (DW) - 3	

TYPE OF PRODUCT		NAME OF CUSTOMER/PROJECT	
DR		M/s RAILWAY BOARD, NEW DELHI	
WAG-7 LOCO			
DRN	NAME	STGN	DATE
CHD	M.K.SONWANE		05.07.10
APPD	S.B.BARYA		05.07.10
DKC/GR			05.07.10

REV	DATE	ALTERED	BY
01	22.11.12	M.K. Sonwane	

DEPT	GRADE OF UN. TOL.	SCALE	WEIGHT (KGS)
LME	DIM. C/M/F	NTS	-

TITLE		CARD CODE	DRAWING NO.	SHEET NO.	ND. OF SHEETS
CEILING PANEL (L.H)			3 719 35 05 222	01	01

327 50 53 61 L 3

ON SWIMWARD

DIMNL. TOL:-

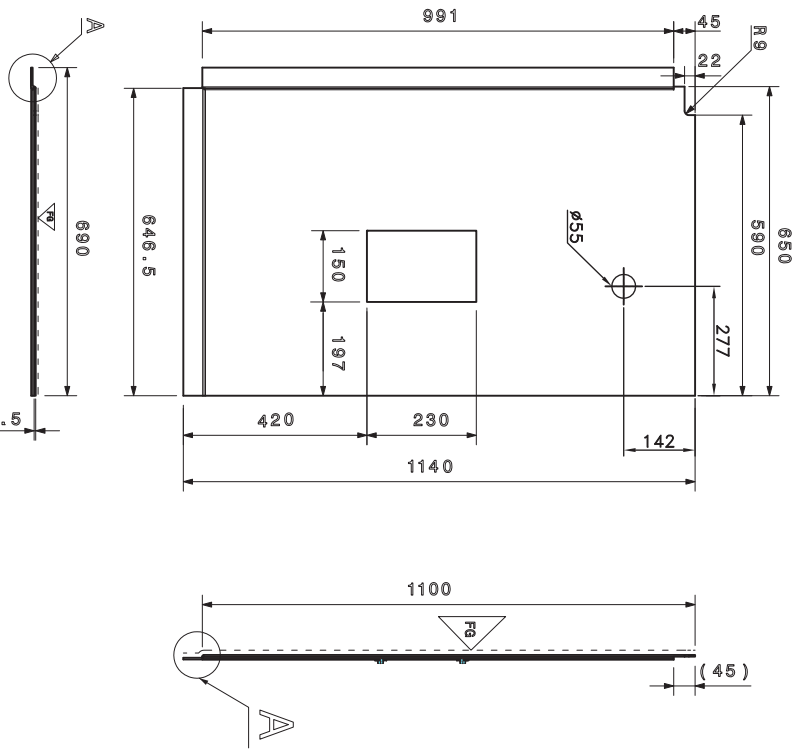
AS PER CORP. STD. AA 062 11 04 GRADE OF ACCURACY 'A' UNLESS OTHERWISE STATED.

THIS INFORMATION ON THE DOCUMENT IS THE PROPERTY OF BHARAT HEAVY ELECTRICALS LIMITED. IT MUST NOT BE USED DIRECTLY OR INDIRECTLY IN ANY WAY DETRIMENTAL TO THE INTEREST OF THE COMPANY.

REF. DRG. NO.  
**R083F221**

SIGN & DATE

INVENTORY NO.



**NOTES:-**

1. ALL SHARP EDGES AND BURRS TO BE ROUNDED.
2. UNSPECIFIED RADIUS 3mm.
3. ALL INSIDE EDGES (GELCOAT SIDE) TO BE ROUNDED OF WITH 3mm RADIUS.
4. FRP MATERIAL TO RDSO SPECIFICATION NO.- RDSO/2008/EL/SP/0058 (REV.-0) MAR,2008
5. FINISH:- NATURAL

VAR 00	REMARKS	REV	DATE	ALTERED	CHECKED
001		01	22.11.12		

ITEM NO.	DESCRIPTION	STD	DRAWING NO.	IT. NO.	MATL. CODE	MATL. SPECN	A	L	S	UNIT WT.	QTY.
001	CEILING PANEL										

REV	DATE	ALTERED	BY	CHECKED
01	22.11.12		M.K.Sonwane	

REV	DATE	ALTERED	BY	CHECKED
01	22.11.12		M.K.Sonwane	

REV	DATE	ALTERED	BY	CHECKED
01	22.11.12		M.K.Sonwane	

REV	DATE	ALTERED	BY	CHECKED
01	22.11.12		M.K.Sonwane	

REV	DATE	ALTERED	BY	CHECKED
01	22.11.12		M.K.Sonwane	

**ADDITIONAL INFORMATION**

STATUS OF DRAWING: U

DISTRIBUTION OF PRINTS

LME (DW) - 1

LMP (DW) - 1

LWM (DW) - 3

NAME OF PRODUCT: **WAG-7 LOCO**

NAME OF CUSTOMER/PROJECT: **M/s RAILWAY BOARD, NEW DELHI**

DEPT: LME

GRADE OF UN. TOL. DIM. C/M/F: NTS

SCALE: NTS

WEIGHT (KGS): -

DRG. UPDATED.

**CEILING PANEL (R.H)**

CARD CODE: 3 719 35 05 223

DRAWING NO. 3 719 35 05 223

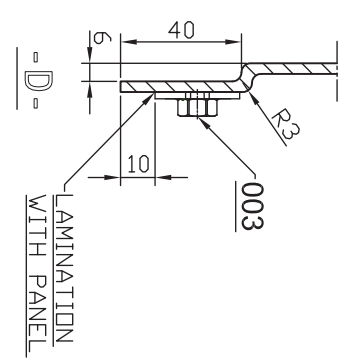
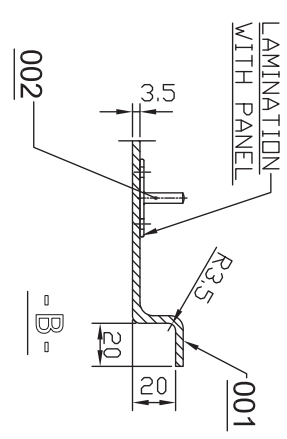
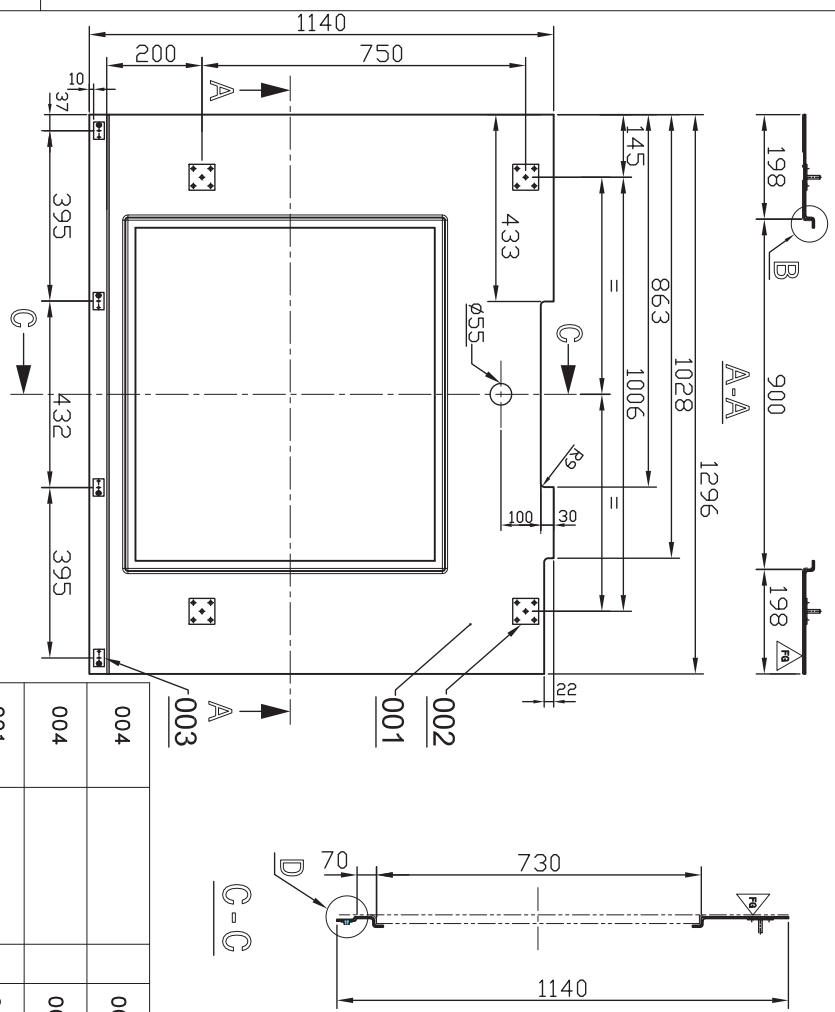
SHEET NO. 01

NO. OF SHEETS 01

REV. 01

422 50 53 61 L 3  
DN DIMWARD

DIMNL. TOL:- AS PER CORP. STD. AA 062 11 04 GRADE OF ACCURACY 'A' UNLESS OTHERWISE STATED.



REV	DATE	ALTERED	BY	REMARKS	ITEM NO	DESCRIPTION	DRAWING NO.	IT. NO.	MATL. CODE	A	UNIT WT.
004					003	OFFSET NUT PLATE SUB-ASSY.	4 719 36 05 008	00			
004					002	OFFSET STUD PLATE SUB-ASSY.	4 719 36 05 011	00			
001					001	CEILING PANEL MIDDLE					

REF. DRG. NO.  
**R083F222**

THIS INFORMATION ON THE DOCUMENT IS THE PROPERTY OF BHARAT HEAVY ELECTRICALS LIMITED.  
IT MUST NOT BE USED DIRECTLY OR INDIRECTLY IN ANY WAY DETRIMENTAL TO THE INTEREST OF THE COMPANY.

- NOTES:-
1. ALL INSIDE EDGES (GELCOAT SIDE) TO BE ROUNDED OFF WITH 3mm RADIUS.
  2. PANELS WILL BE TRIMMED AS PER REQUIREMENT WHILE ASSY.
  3. FRP MATERIAL TO RDSO SPECIFICATION NO.- RDSO/2008/EL/SPEL/0058 (REV.-0) MAR,2008
  4. FINISH:- SURFACE IS ON THE BOTTOM SIDE

SIGN & DATE

REV	DATE	ALTERED	BY	REMARKS
02	09.05.13	CHECKED		
02	09.05.13	CHECKED		

REV	DATE	ALTERED	BY	REMARKS
01	22.11.12	CHECKED	Sd/-	

DEPT	LINE	GRADE OF UN. TOL.	DIM. C/M/F	SCALE	WEIGHT (KGS)	DRN	NAME	SIGN	DATE	NO. OF
404				1:1	-	M.K.SONWANE	M.K.SONWANE	Sd/-	05.07.10	001
						S.B.BARYA	S.B.BARYA	Sd/-	05.07.10	003

REV	DATE	ALTERED	BY	REMARKS
02	09.05.13	CHECKED		

REV	DATE	ALTERED	BY	REMARKS
01	22.11.12	CHECKED	Sd/-	

DRN	NAME	SIGN	DATE	NO. OF
M.K.SONWANE	M.K.SONWANE	Sd/-	05.07.10	001
S.B.BARYA	S.B.BARYA	Sd/-	05.07.10	003

INVENTORY NO.

DIMNS. 900,198,730 & 70 WERE 825,242,420 & 380 RESPLY. DRG. REDRAWN & UPDATED.

TITLE	CARD CODE	DRAWING NO.	SHEET NO.	NO. OF SHEETS	REV.
CEILING PANEL MIDDLE		3 719 35 05 224	01	01	02

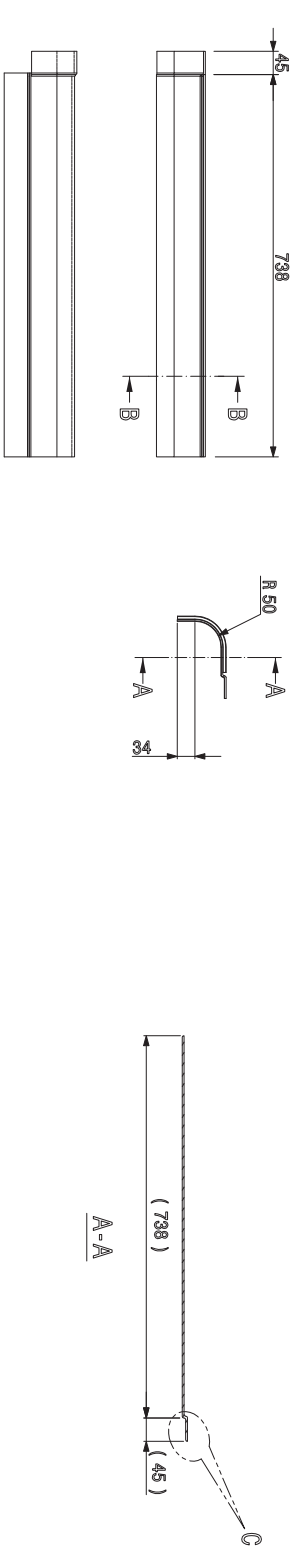


927 50 58 617 3

ENGIN DRAWING

DIMNL. TOL:-

AS PER CORP. STD. AA 062 11 04 GRADE OF ACCURACY 'A' UNLESS OTHERWISE STATED.



THIS INFORMATION ON THE DOCUMENT IS THE PROPERTY OF BHARAT HEAVY ELECTRICALS LIMITED. IT MUST NOT BE USED DIRECTLY OR INDIRECTLY IN ANY WAY DETRIMENTAL TO THE INTEREST OF THE COMPANY.

REF. DRG. NO.  
**R083F207**

SIGN & DATE

- NOTES:-
1. ALL INSIDE EDGES (GELCOAT SIDE) TO BE ROUNDED OFF WITH 3mm RADIUS.
  2. PANELS WILL BE TRIMMED AS PER REQUIREMENT WHILE ASSEMBLING.
  3. FRP MATERIAL TO RDSO SPECIFICATION NO.- RDSO/2008/EL/SPEL/0058 (REV.-0) MAR,2008
  4. FINISH:- NATURAL

REV	DATE	ALTERED	REV	DATE	ALTERED
		CHECKED			CHECKED

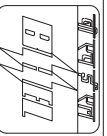
VAR 00	REMARKS	REV	DATE	ALTERED
001				CHECKED

ADDITIONAL INFORMATION

STATUS OF DRAWING U

DISTRIBUTION OF PRINTS

LME (DV) - 1  
LMP (DV) - 1  
LMM (DV) - 3



NAME OF CUSTOMER/PROJECT: BHARAT HEAVY ELECTRICALS LTD. JHANSI  
M/s RAILWAY BOARD, NEW DELHI

DRN	NAME	SIGN	DATE
CHD	M.K.SONWANE	<i>[Signature]</i>	05.07.10
APPD	S.B.ARYA	<i>[Signature]</i>	05.07.10

DEPT LME  
UN. TOL. DIM C/M/F  
GRADE OF DIM C/M/F  
SCALE NTS  
WEIGHT (KGD) -

TITLE  
**SIDE DOOR PANEL-RH**

DRN	NAME	SIGN	DATE
CHD	M.K.SONWANE	<i>[Signature]</i>	05.07.10
APPD	S.B.ARYA	<i>[Signature]</i>	05.07.10

REF. TO ASSY. NO.	ITEM NO.	REV.
3 719 35 05 206	001	001

DRAWING NO.	SHEET NO.	TOTAL SHEETS
3 719 35 05 226	01	01

CARD TYPE - 1

CARD TYPE - 2

TYPE OF PRODUCT: DR  
WAG-7 LOCO

NAME OF CUSTOMER/PROJECT: BHARAT HEAVY ELECTRICALS LTD. JHANSI

NAME OF CUSTOMER/PROJECT: M/s RAILWAY BOARD, NEW DELHI

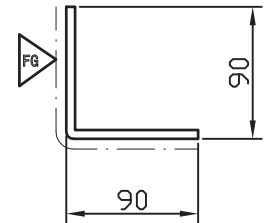
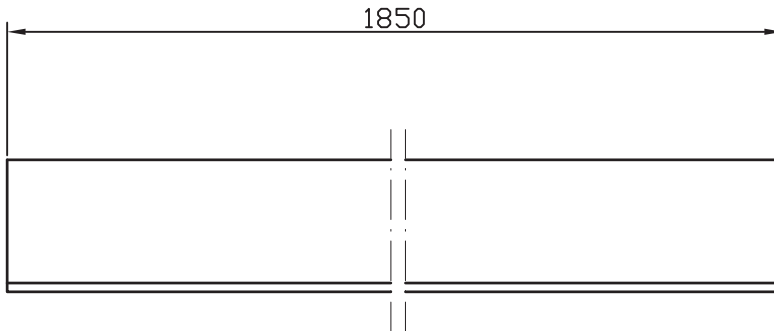
DEPT LME  
UN. TOL. DIM C/M/F  
GRADE OF DIM C/M/F  
SCALE NTS  
WEIGHT (KGD) -

TITLE  
**SIDE DOOR PANEL-RH**

THIS INFORMATION ON THE DOCUMENT IS THE PROPERTY OF BHARAT HEAVY ELECTRICALS LIMITED. IT MUST NOT BE USED DIRECTLY OR INDIRECTLY IN ANY WAY DETRIMENTAL TO THE INTEREST OF THE COMPANY.

REV	DATE	ALTERED	REV	DATE	ALTERED	ADDITIONAL INFORMATION
		CHECKED	01	30.9.13	CHECKED	
			DIM 1850 WAS 1775.			STATUS OF DRAWING U
						DISTRIBUTION OF PRINTS LME(DV)-1    LMP(DV)-1    LMM(DV)-3

DIMNL. TOL:- AS PER CORP. STD. AA 062 11 04 GRADE OF ACCURACY 'A' UNLESS OTHERWISE STATED.



NOTES:-

1. ALL SHARP EDGES AND CORNERS TO BE ROUNDED OFF.
2. FRP MATERIAL TO RDSO SPECIFICATION NO.- RDSO/2008/EL/SPEL/0058 (REV.-0) MAR,2008
3. FINISH:- NATURAL

D083F234 REF. DRG. No.

001	mm	EQUAL ANGLE	001						
	1850	6Tk.90x90			SEE NOTE				
	UNIT OF QTY.	DESCRIPTION	ITEM No.	DRAWING No.	ITEM No.	MATL. CODE	A	COMP GROUP	UNIT WEIGHT (kg)
VAR-ANT 00	BASIC VARI-ANT	R.M UNIT QTY.			VARI-ANT	MATL. SPECN.	C		QTY.

CARD TYPE-2

CARD TYPE-1

SIGN & DATE



BHARAT HEAVY ELECTRICALS LTD.  
JHANSI

DEPT. LME	CODE 404		SCALE NTS	WEIGHT (kg.) -	REF. TO ASSY. DRG. 1 719 35 05 021	IT.012
-----------	----------	--	-----------	----------------	------------------------------------	--------

INVENTORY No.

TITLE	DRAWN	NAME	SIGN	DATE
<u>DOOR COVER PANEL VERTICAL</u>		T.R.DHADSE		05.07.10
	CHECKED	S.B.ARYA		05.07.10
	APPROVED	DKC/GR		05.07.10

DIMENSIONS TO BE CONTROLLED WITHIN AS LIMITS SHOWN.  
MACHINING TOLERANCE +\_0.25mm UNLESS OTHERWISE .SHOWN  
NON-MACHINING TOLERANCE +\_.....

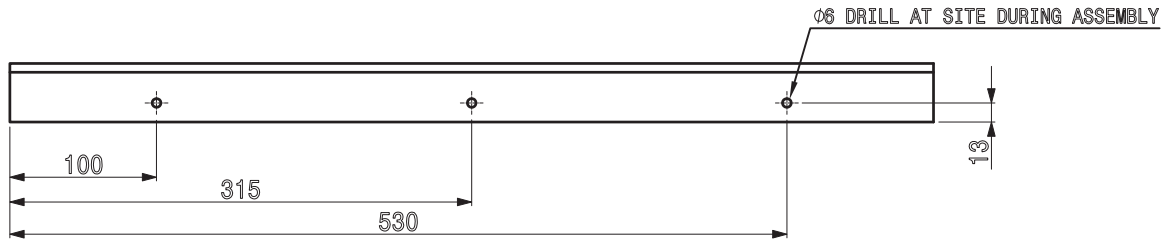
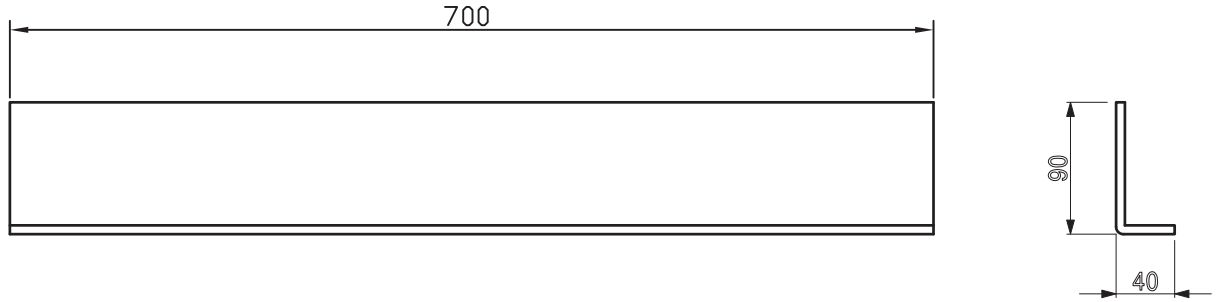
CARD CODE

DRAWING No.	REV
4 719 35 05 200	01
SHEET No 01	No. OF SHEET 01

THIS INFORMATION ON THE DOCUMENT IS THE PROPERTY OF BHARAT HEAVY ELECTRICALS LIMITED. IT MUST NOT BE USED DIRECTLY OR INDIRECTLY IN ANY WAY DETRIMENTAL TO THE INTEREST OF THE COMPANY.

REV	DATE	ALTERED	REV	DATE	ALTERED	ADDITIONAL INFORMATION
		CHECKED	01	30.9.13	CHECKED	
			DIM 700 WAS 630			STATUS OF DRAWING U
						DISTRIBUTION OF PRINTS LME(DV)-1 LMP(DV)-1 LMM(DV)-3

DIMNL. TOL:- AS PER CORP. STD. AA 062 11 04 GRADE OF ACCURACY 'A' UNLESS OTHERWISE STATED.



NOTES:-

1. ALL SHARP EDGES AND CORNERS TO BE ROUNDED OFF.
2. FRP MATERIAL TO RDSO SPECIFICATION NO.- RDSO/2008/EL/SPEL/0058 (REV.-0) MAR,2008
3. FINISH:- NATURAL

D083F234	REF. DRG. No.	001	mm	UNEQUAL ANGLE	001					
			750	6Tkx9040			SEE NOTE			
		UNIT OF QTY.		DESCRIPTION	ITEM No.	DRAWING No.	ITEM No.	MATL. CODE	A	UNIT WEIGHT (kg)
		R.M UNIT QTY.					VARI-ANT	MATL. SPECN.	C	QTY.
									COMP GROUP	

CARD TYPE-2

CARD TYPE-1

SIGN & DATE



BHARAT HEAVY ELECTRICALS LTD.  
JHANSI

DEPT. LME	CODE 404		SCALE NTS	WEIGHT (kg.) -	REF. TO ASSY. DRG. 1 719 35 05 021	IT.013
-----------	----------	--	-----------	----------------	------------------------------------	--------

INVENTORY No.

TITLE  
DOOR COVER PANEL TOP

DRAWN	NAME T.R.DHADSE	SIGN	DATE 05.07.10
CHECKED	S.B.ARYA		05.07.10
APPROVED	DKC/GR		05.07.10

DIMENSIONS TO BE CONTROLLED WITHIN AS LIMITS SHOWN.  
MACHINING TOLERANCE +\_0.25mm UNLESS OTHERWISE .SHOWN  
NON-MACHINING TOLERANCE +\_.....

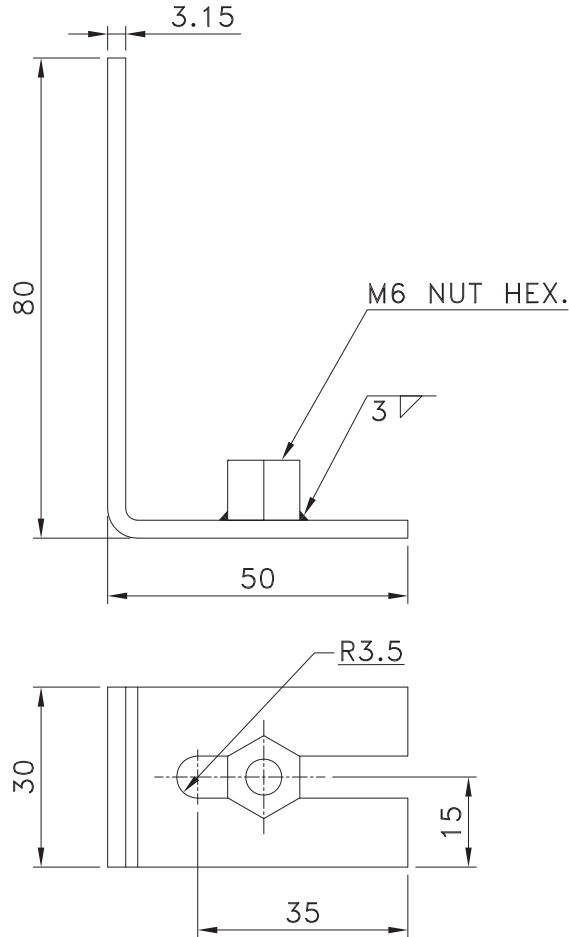
CARD CODE

DRAWING No.	REV
4 719 35 05 201	01
SHEET No 01	No. OF SHEET 01

THIS INFORMATION ON THE DOCUMENT IS THE PROPERTY OF BHARAT HEAVY ELECTRICALS LIMITED. IT MUST NOT BE USED DIRECTLY OR INDIRECTLY IN ANY WAY DETRIMENTAL TO THE INTEREST OF THE COMPANY.

REV	DATE	ALTERED	REV	DATE	ALTERED	ADDITIONAL INFORMATION	
		CHECKED			CHECKED		
						STATUS OF DRAWING	U
						DISTRIBUTION OF PRINTS	
						LME(DV)-1	LMP(DV)-1
						LMM(DV)-3	

DIMNL.TOL:— AS PER CORP. STD. AA 062 11 04 GRADE OF ACCURACY 'A' UNLESS OTHERWISE STATED.



NOTES:-

1. ALL SHARP EDGES AND CORNERS TO BE ROUNDED OFF.
2. FINISH:- NATURAL

R083C429	REF. DRG. No.	001	mm	STEEL SHEET	001	AA1017111141				
			125	3.15Tk x 30		AA10111				
			UNIT OF QTY.	DESCRIPTION	ITEM No.	DRAWING No.	ITEM No.	MATL. CODE	A	UNIT WEIGHT (kg)
		VAR- IANT 00	BASIC VARI- ANT	R.M UNIT QTY.			VARI- ANT	MATL. SPECN.	C	COMP GROUP
CARD TYPE-2					CARD TYPE-1					

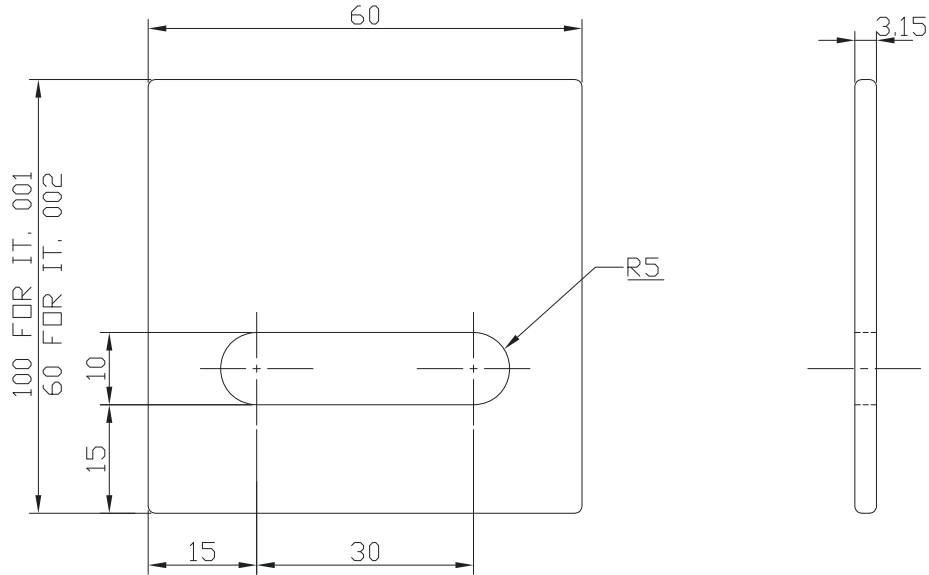
SIGN & DATE			<h2 style="text-align: center;">BHARAT HEAVY ELECTRICALS LTD.</h2> <h3 style="text-align: center;">JHANSI</h3>						
	DEPT. LME	CODE 404		SCALE NTS	WEIGHT (kg.)	REF. TO ASSY. DRG. 1 719 35 05 021			IT.021

INVENTORY No.	TITLE				NAME	SIGN	DATE
	<h2 style="margin: 0;">SIDE WALL PANEL MTG. ANGLE</h2>				DRAWN	T.R.DHADSE	05.07.10
					CHECKED	S.B.ARYA	05.07.10
				APPROVED	DKC/GR	05.07.10	
DIMENSIONS TO BE CONTROLLED WITHIN AS LIMITS SHOWN. MACHINING TOLERANCE +_0.25mm UNLESS OTHERWISE .SHOWN NON-MACHINING TOLERANCE +_ . . . . .				CARD CODE	DRAWING No. 4 719 35 05 202		REV 00
				SHEET No	01	No. OF SHEET 01	

THIS INFORMATION ON THE DOCUMENT IS THE PROPERTY OF BHARAT HEAVY ELECTRICALS LIMITED. IT MUST NOT BE USED DIRECTLY OR INDIRECTLY IN ANY WAY DETRIMENTAL TO THE INTEREST OF THE COMPANY.

REV	DATE	ALTERED	REV	DATE	ALTERED	ADDITIONAL INFORMATION	
		CHECKED			CHECKED		
						STATUS OF DRAWING	U
						DISTRIBUTION OF PRINTS	LME(DV)-1      LMP(DV)-1      LMM(DV)-3

DIMNL. TOL:- AS PER CORP. STD. AA 062 11 04 GRADE OF ACCURACY 'A' UNLESS OTHERWISE STATED.



NOTES:-

1. ALL SHARP EDGES AND CORNERS TO BE ROUNDED OFF.
2. FINISH:- NATURAL

R083C402	REF. DRG. No.	001	mm	STEEL SHEET	002		AA1011711141				
			60	3.15Tk.x60			AA10111				
		001	mm	STEEL SHEET	001		AA1011711141				
			100	3.15Tk.x60			AA10111				
		UNIT OF QTY.		DESCRIPTION	ITEM No.	DRAWING No.	ITEM No.	MATL. CODE	A	COMP GROUP	UNIT WEIGHT (kg)
VARI-ANT 00	BASIC VARI-ANT	R.M UNIT QTY.					VARI-ANT	MATL. SPECN.	C		QTY.
CARD TYPE-2						CARD TYPE-1					

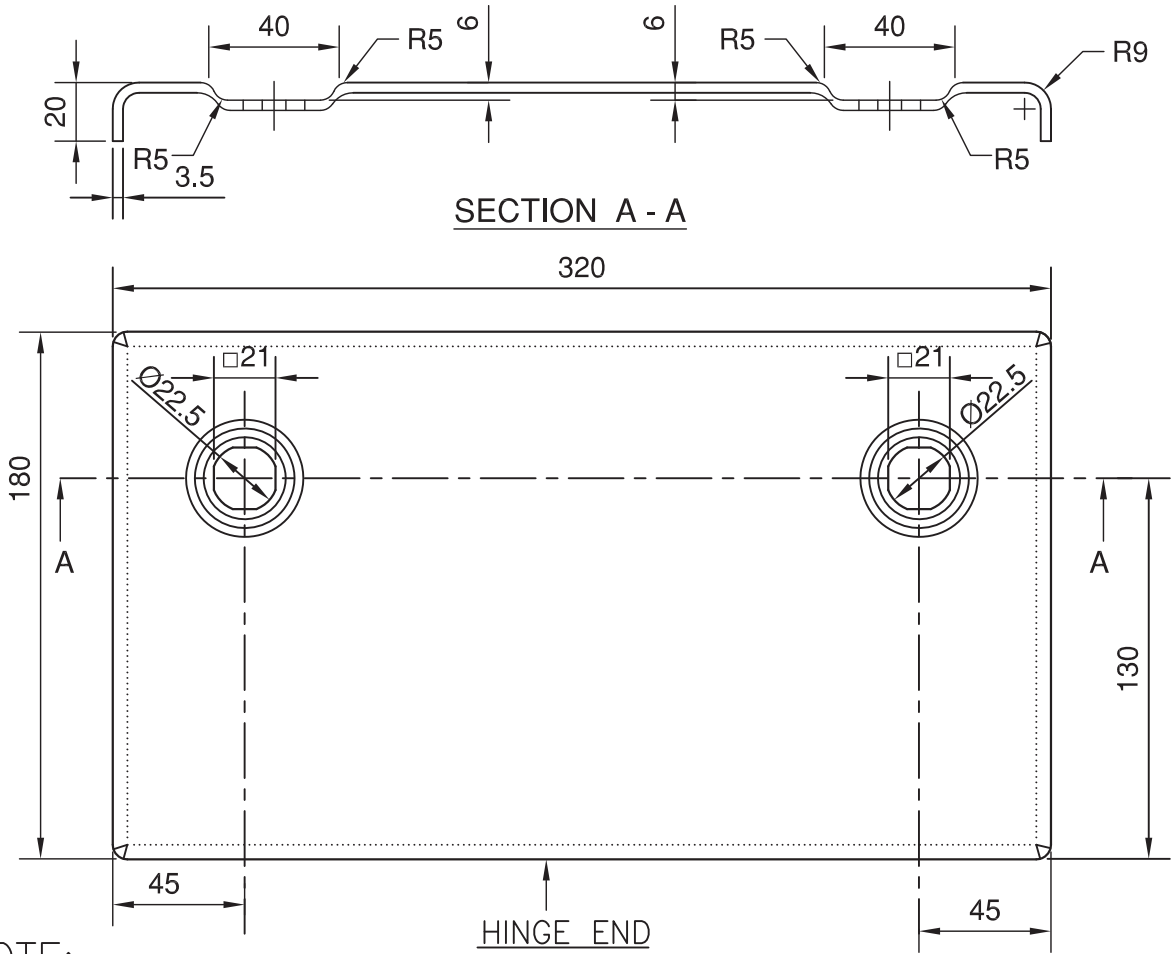
SIGN & DATE			BHARAT HEAVY ELECTRICALS LTD. JHANSI								
	DEPT. LME	CODE 404		SCALE 1:1	WEIGHT (kg.) -	REF. TO ASSY. DRG. 3 719 35 05 210			IT.001		

INVENTORY No.	TITLE						NAME	SIGN	DATE
	<b>MTG. PLATE</b>						DRAWN	T.R.DHADSE	16.07.10
							CHECKED	S.B.ARYA	16.07.10
						APPROVED	DKC/GR	16.07.10	
DIMENSIONS TO BE CONTROLLED WITHIN AS LIMITS SHOWN. MACHINING TOLERANCE +_0.25mm UNLESS OTHERWISE .SHOWN NON-MACHINING TOLERANCE +_.....						CARD CODE	DRAWING No. 4 719 35 05 203		REV 00
						SHEET No 01	No. OF SHEET 01		



THIS INFORMATION ON THE DOCUMENT IS THE PROPERTY OF BHARAT HEAVY ELECTRICALS LIMITED. IT MUST NOT BE USED DIRECTLY OR INDIRECTLY IN ANY WAY DETRIMENTAL TO THE INTEREST OF THE COMPANY.

REV	DATE	ALTERED	REV	DATE	ALTERED	ADDITIONAL INFORMATION
		CHECKED	01	24.9.13	CHECKED	STATUS OF DRAWING
			DIM. 45 & 130 WAS 55 & 90 RESPECTIVELY, HINGE LOCATION SHOWN AND DRG. UPDATED			DISTRIBUTION OF PRINTS
						LME(DV) - 1 LMP(DV) - 1 LMM(DV) - 3



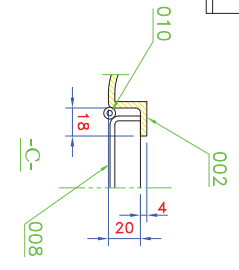
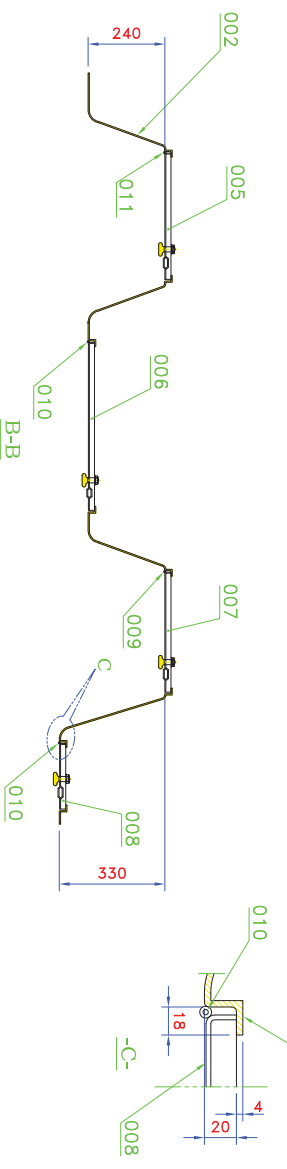
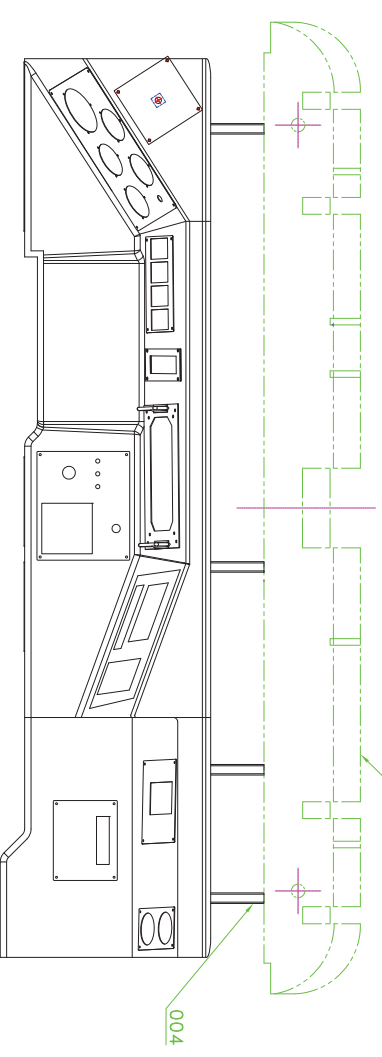
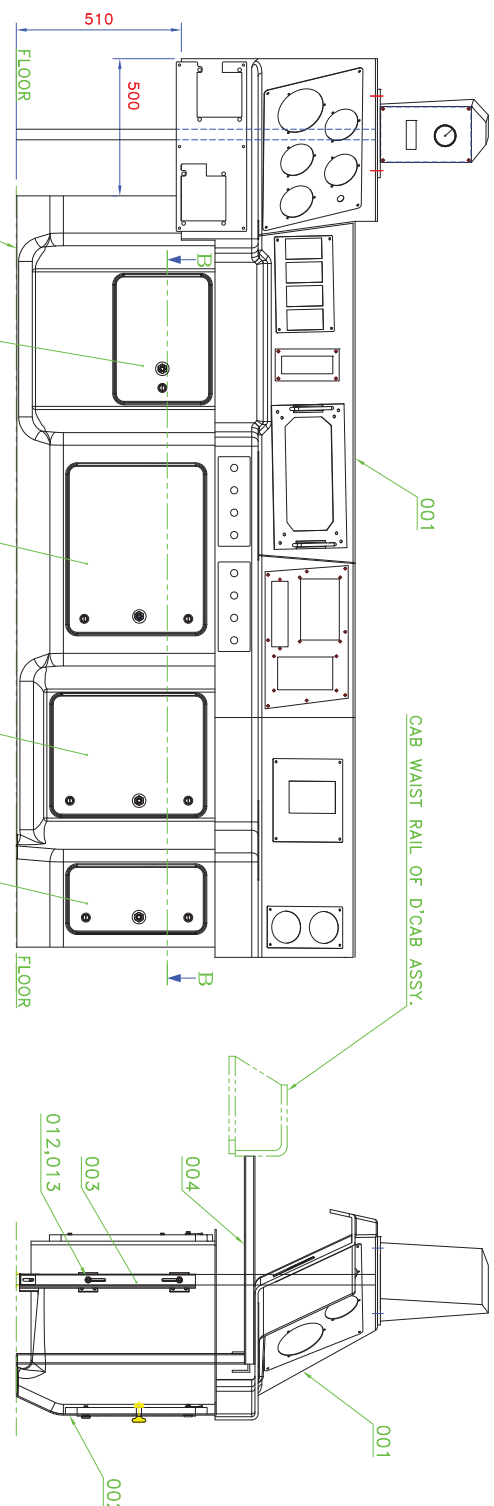
NOTE:-

- FRP MATERIAL TO RDSO SPECIFICATION NO.- RDSO/2008/EL/SPEL/0058 (REV.-0) MAR,2008
- FINISH:- FINISHED SURFACE IS ON THE BOTTOM SIDE.

REF. DRG. No. R083F228	001	mm	HATCH PANEL	001							
		.....				SEE NOTE					
	VAR-ANT 00	BASIC VARI-ANT	R.M UNIT QTY.	DESCRIPTION	ITEM No.	DRAWING No.	ITEM No.	MATL. CODE	A	COMP GROUP	UNIT WEIGHT (kg)
							VAR-ANT	MATL. SPECN.	C		QTY.
CARD TYPE-2				CARD TYPE-1							

SIGN & DATE			<b>BHARAT HEAVY ELECTRICALS LTD. JHANSI</b>								
	DEPT. LME	CODE 404		SCALE NTS	WEIGHT (kg.) --	REF. TO ASSY. DRG. 2 719 35 05 014			IT. 003		

INVENTORY No.	TITLE <u>FLASH LIGHT HATCH</u>						DRAWN	P.SINGH	SIGN	DATE
							CHECKED	S.B.ARYA		21.07.10
							APPROVED	DKC/VK		21.07.10
DIMENSIONS TO BE CONTROLLED WITHIN AS LIMITS SHOWN. MACHINING TOLERANCE +_0.25mm UNLESS OTHERWISE .SHOWN NON-MACHINING TOLERANCE +_.....						CARD CODE	DRAWING No. 4 719 35 05 205			REV 01
						SHEET No	01	No. OF SHEET 01		

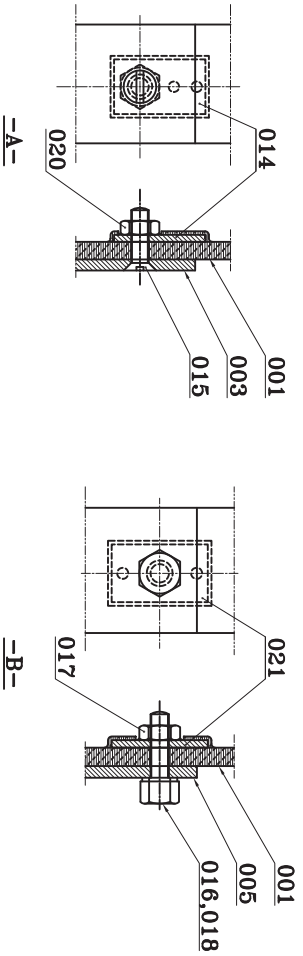
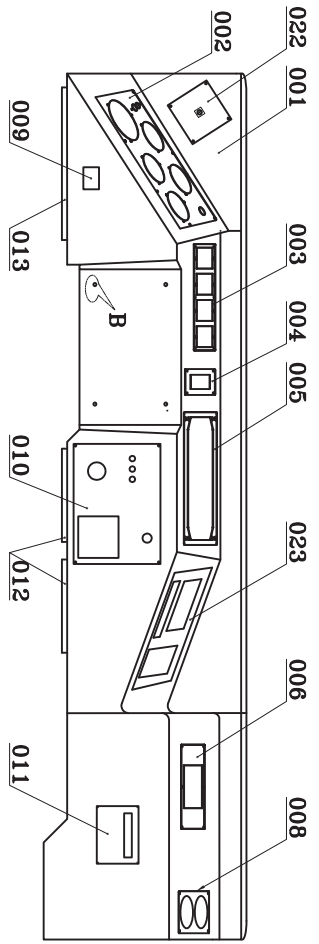
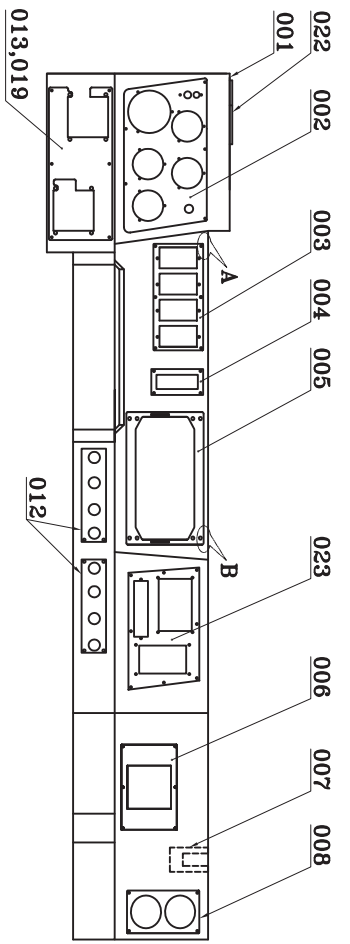


NO.	QTY	DESCRIPTION	UNIT	REMARKS
001	1	PLANO HINGE 370		
002	1	PLANO HINGE 420		
003	4	HATCH PANEL		
004	4	HATCH PANEL		
005	4	HATCH PANEL		
006	4	HATCH PANEL		
007	4	HATCH PANEL		
008	4	HATCH PANEL		
009	4	HATCH PANEL		
010	4	HATCH PANEL		
011	4	HATCH PANEL		
012	4	HATCH PANEL		
013	4	HATCH PANEL		

INVENTORY NO.	STGN. & DATE	REF. DRG. NO.	THE INFORMATION ON THIS DOCUMENT IS THE PROPERTY OF BHARAT HEAVY ELECTRICALS LIMITED. IT MUST NOT BE USED DIRECTLY OR INDIRECTLY IN ANY WAY DETRIMENTAL TO THE INTEREST OF THE COMPANY.	
12	11	10	9	8
7	6	5	4	3
2	1			
<p>DATE: 14.03.13                  DESIGNED BY: M.K. SOMAN                  CHECKED BY: M.K. SOMAN                  DATE: 14.03.13                  DESIGNED BY: M.K. SOMAN                  CHECKED BY: M.K. SOMAN                  DATE: 14.03.13                  DESIGNED BY: M.K. SOMAN                  CHECKED BY: M.K. SOMAN</p>				
<p>NAME OF CUSTOMER/PRODUCT: M/S-BALAKRISHNA BOARD NEW DELHI                  TYPE OF PRODUCT: WAG-7 LOCOMOTIVE                  STATUS OF DRAWING: U                  ADDITIONAL INFORMATION: CAB TYPE - 3</p>				
<p>DISTRIBUTION OF PRINTS:                  DESK (D) - 1 SHEET (D) - 3                  WORK (W) - 3</p>				
<p>DATE: 14.03.13                  DESIGNED BY: M.K. SOMAN                  CHECKED BY: M.K. SOMAN                  DATE: 14.03.13                  DESIGNED BY: M.K. SOMAN                  CHECKED BY: M.K. SOMAN</p>				
<p>TITLE: DRIVER DESK ASSY. (COMPLETED)                  DRAWING NO: 1719 36 05 000                  SHEET NO: 01 OF SHEETS: 03</p>				



000 50 96 617.2  
DN SHINIBAR



VAR. NO.	ITEM NO.	DESCRIPTION	QTY	DRAWING NO.	UNIT	UNIT WT.	QTY.
001	023	MOUNTING PLATE FOR AIR COND. DISPLAY UNIT & SIGNALING LED PANEL	4	719 36 05 029	01	1.054	
001	022	SPEEDO METER MFG. PLATE	4	719 36 05 027	01	0.827	
008	021	OFFSET NUT PLATE SUB-ASSY.-M6	4	719 36 05 012	00		
042	020	NUT HEX HEAD M6 STEEL					
001	019	SA-9/-A-9 BACK MFG. PLATE	4	719 36 05 009	001		
008	018	WASHER SPG.SC B8 STEEL					
008	017	NUT HEX HEAD M6 STEEL					
008	016	SCREW HEX HEAD M6x30 STEEL					
044	015	SCREW CSK HEAD M6x30 STEEL					
044	014	OFFSET NUT PLATE SUB-ASSY.-M6	4	719 36 05 008	00		
001	013	SA9/A9 MFG. PLATE	3	719 36 05 004	001		
002	012	B-PUSH BOTTON SWITCHES MFG. PLATE	4	719 36 05 007	001		
001	011	VCD MFG. PLATE	4	719 36 05 006	001		
001	010	NOTCH-INDICATOR PANTS-ANGLE MFG. PLATE	4	719 36 05 005	001		
002	009	PUSH BOTTON MFG. PLATE	4	719 36 05 004	001		
001	008	SIGNALING BUZZER MFG. PLATE	4	719 36 05 003	001		
001	007	WIPE CONTROL BACK MFG. PLATE	4	719 36 05 002	00		
001	006	FLASHER CONTROL UNIT MFG. PLATE	4	719 36 05 001	001		
001	005	BL KEY BOX SUB-ASSY.	3	719 36 05 003	00		
001	004	OHR. SENSOR MFG. PLATE	4	719 36 05 026	001		0.138
001	003	EDGE WISE LED TYPE INSTRUMENT	3	719 36 05 002	001		
001	002	PRESSURE GAUGE MFG. PLATE	3	719 36 05 001	001		
001	001	DRIVER DESK (FRP)	3	719 36 05 005	001		

ADDITIONAL INFORMATION STATUS OF DRAWING U DISTRIBUTION OF PRINTS LMP(OV) - 1 LMP(OV) - 1 LMP(OV) - 3		NAME OF CUSTOMER/PROJECT M/s RAILWAY BOARD, NEW DETHI	
REV. DATE ALTERED 01 10.04.12 CHECKED DRG. REBAMA & UPNATEL.		TYPE OF PRODUCT WAG-7 LOCO	
REV. DATE ALTERED CHECKED		NAME OF COMPANY BHARAT HEAVY ELECTRICALS LTD.	
REV. DATE ALTERED CHECKED		JHANSI	
REV. DATE ALTERED CHECKED		SCALE NTS	
REV. DATE ALTERED CHECKED		WEIGHT (KG)	
REV. DATE ALTERED CHECKED		DRAWING NO. 2 719 36 05 000	
REV. DATE ALTERED CHECKED		SHEET NO. 01	
REV. DATE ALTERED CHECKED		NO. OF SHEETS 01	

THE INFORMATION ON THIS DOCUMENT IS THE PROPERTY OF BHARAT HEAVY ELECTRICALS LIMITED. IT MUST NOT BE USED DIRECTLY OR INDIRECTLY IN ANY WAY DETRIMENTAL TO THE INTEREST OF THE COMPANY.

INVENTORY NO.	SIGN & DATE	REF. DRG. NO.
8	7	6
5	4	3
2	1	

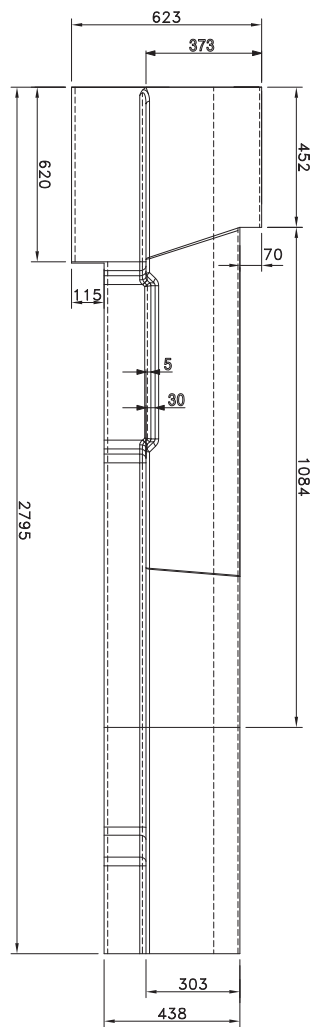
100 50 96 61 2

DN ENL/WR/D

FIRST ANGLE PROJECTION

(ALL DIMENSIONS ARE IN MM)

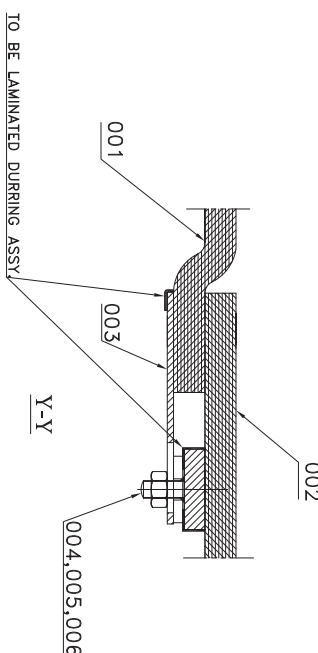
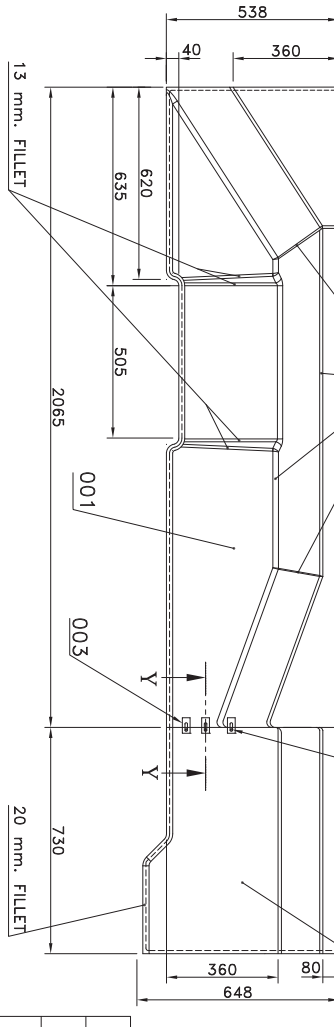
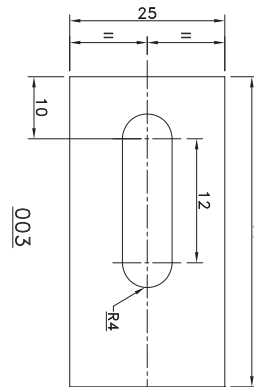
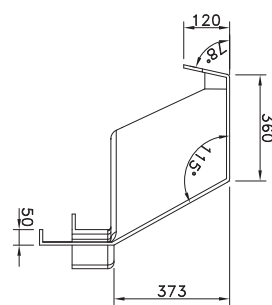
DIMNL. TOL:- AS PER CORP. STD. AA 062 11 04 GRADE OF ACCURACY 'A' UNLESS OTHERWISE STATED.



10 mm. FILLET NOT SHOWN IN DETAIL DRG. FOR DIMENSION CLARITY.

004,005,006

002



VAR. NO.	ITEM NO.	DESCRIPTION	DRAWING NO.	IT. NO.	MAT. CODE	UNIT WT.	QTY.
003	006	WASHER MCD. B8			A.I.S.I GR-304		
003	005	NUT HEX. M8			A.I.S.I GR-304		
003	004	OFFSET STUD PLATE	4 719 3605 011	001			
003	003	STEEL SHEET 2TK x 25			A.I.S.I GR-304	E 50	
001	002	DRIVER DESK FRONT (LH.)	3 719 3605 011	00			
001	001	DRIVER DESK FRONT (RH.)	3 719 3605 010	00			

- NOTES:-
- ALL SHARP EDGES AND CORNERS TO BE ROUDED OFF.
  - FINISH:- NATURAL

REV	DATE	ALTERED-M.K.Somwane	REV	DATE	ALTERED-M.K.Somwane	REV	DATE	ALTERED-M.K.Somwane
03	14.03.13	CHKD	02	22.11.12	CHKD	01	10.04.12	CHKD
02			01					

REV	DATE	ALTERED-M.K.Somwane	REV	DATE	ALTERED-M.K.Somwane
03	14.03.13	CHKD	02	22.11.12	CHKD
02			01		

REV	DATE	ALTERED-M.K.Somwane	REV	DATE	ALTERED-M.K.Somwane
03	14.03.13	CHKD	02	22.11.12	CHKD
02			01		

REV	DATE	ALTERED-M.K.Somwane	REV	DATE	ALTERED-M.K.Somwane
03	14.03.13	CHKD	02	22.11.12	CHKD
02			01		

REV	DATE	ALTERED-M.K.Somwane	REV	DATE	ALTERED-M.K.Somwane
03	14.03.13	CHKD	02	22.11.12	CHKD
02			01		

REV	DATE	ALTERED-M.K.Somwane	REV	DATE	ALTERED-M.K.Somwane
03	14.03.13	CHKD	02	22.11.12	CHKD
02			01		

REV	DATE	ALTERED-M.K.Somwane	REV	DATE	ALTERED-M.K.Somwane
03	14.03.13	CHKD	02	22.11.12	CHKD
02			01		

SIZE A2

000 50 98 61 L 3  
DN DIMNL

MULTI-DISPLAY UNIT,

DIMNL. TOL:- AS PER CORP. STD. AA 062 11 04 GRADE OF ACCURACY 'A' UNLESS OTHERWISE STATED.

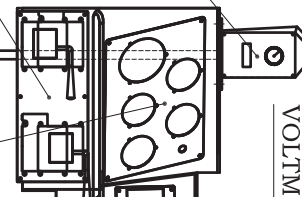
VOLTMETERS

BL KEY BOX AC CONTROLLER, LED

FLCU

WIPER CONTROL SWITCH

SPEEDO METER



SA-9 & A9

PRESSURE GAUGES,  
EMERGENCY BUTTON

OHE SENSOR

8-PUSH BUTTON SWITCHES

BUZZER

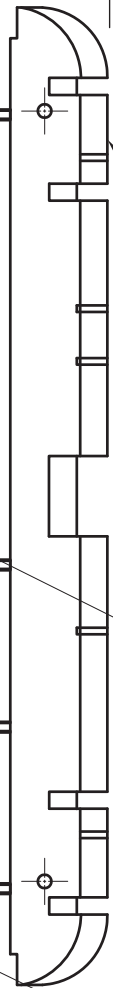
FLOOR

PANTOS, NOTCH INDICATOR,  
TOGGLE SWITCHES

MTG. PLATE ON FRP CONTROL DESK  
TO DRG. No.-27193605000

WELDED TO  
UNDERFRAME

CAB WAIST RAIL OF D.CAB ASSY.



VCD

D1 EMERGENCY

WATER TANK CAP

PUSH BUTTON

MASTER CONTROLLER

WALKIE CHARGER

HORN

HORN

ADDITIONAL INFORMATION

TYPE OF PRODUCT

WAG-7 LOCO

STATUS OF DRAWING U

NAME OF CUSTOMER/PROJECT

M/s RAILWAY BOARD, NEW DELHI

DISTRIBUTION OF PRINTS

LW (DW) - 1  
LW (DW) - 1  
LW (DW) - 3



BHARAT HEAVY ELECTRICALS LTD.

JHANSI

DEPT LINE	GRADE OF UN. TOL. DIM. C/M/F	SCALE	WEIGHT (KG)
404		NTS	-

DRN	NAME	SIGN	DATE	NO. OF
CHD	M.K.SONWANE		02.07.10	VAR
APPD	S.B.ARYA		02.07.10	00
	DKC/GR			

REF. TO ASSY. NO.	ITEM NO.	NO. OF
-	000	000

THIS INFORMATION ON THE DOCUMENT IS THE PROPERTY OF BHARAT HEAVY ELECTRICALS LIMITED. IT MUST NOT BE USED DIRECTLY OR INDIRECTLY IN ANY WAY DETRIMENTAL TO THE INTEREST OF THE COMPANY.

INVENTORY NO.	SIGN & DATE	REF. DRG. NO.
REV	DATE	REV
CHECKED		CHECKED

REV	DATE	ALTERED
CHECKED		

REV	DATE	ALTERED
CHECKED		

TITLE	CARD	DRAWING NO.	REV.
GEN. ARRGT. OF FRP CONTROL DESK	3 719 36 05 000	3 719 36 05 000	00
	SHEET NO. 01	NO. OF SHEETS 01	

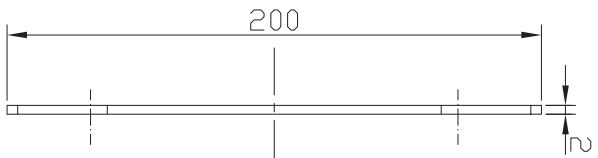
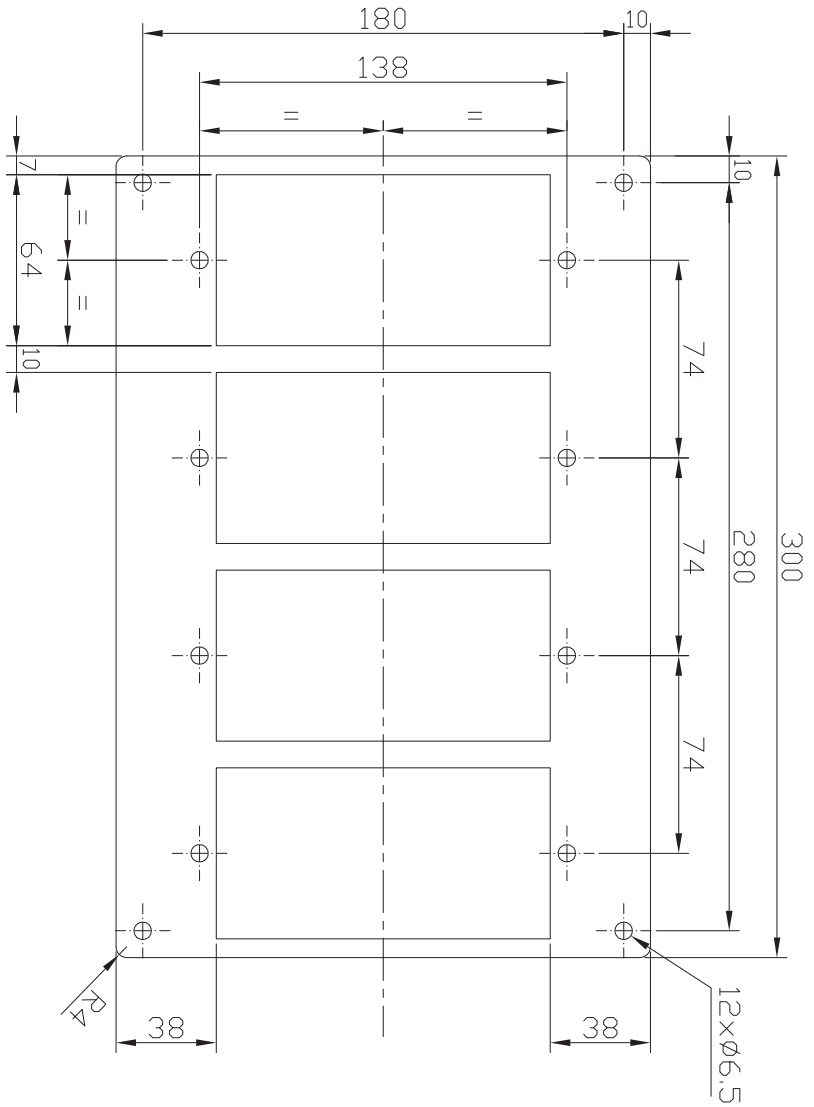


200 50 93 617 3  
DRAWING

DIMNL. TOL:-

AS PER CORP. STD. AA 062 11 04 GRADE OF  
ACCURACY 'A' UNLESS OTHERWISE STATED.

THIS INFORMATION ON THE DOCUMENT IS THE PROPERTY OF BHARAT HEAVY ELECTRICALS LIMITED.  
IT MUST NOT BE USED DIRECTLY OR INDIRECTLY IN ANY WAY DETRIMENTAL TO THE INTEREST OF THE COMPANY.



REF. DRG. NO.  
**R083C424**

- NOTES:-
1. ALL SHARP EDGES AND BURRS TO BE ROUNDED.
  2. FINISH:-RAL 7043 OR EQUIVALENT COLOUR(DARK GREY) POWER COAT.

INVENTORY NO.	SIGN & DATE	REF. DRG. NO.
		R083C424

REV	DATE	ALTERED	CHECKED	REV	DATE	ALTERED	CHECKED

VAR. NO.	REMARKS	ITEM NO.	DESCRIPTION	DRAWING NO.	IT. NO.	MATL. CODE	UNIT WT.
001		001	STEEL SHEET 2Tk x 200				

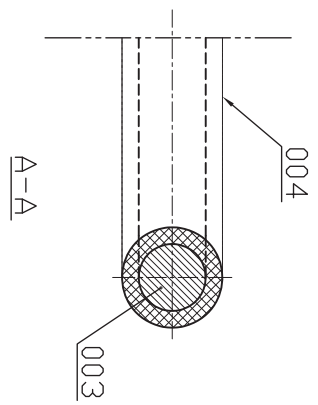
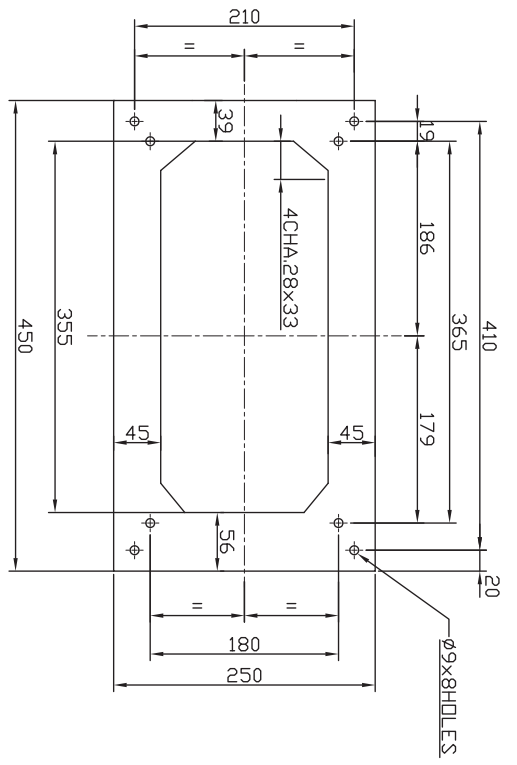
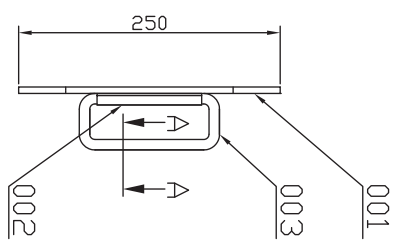
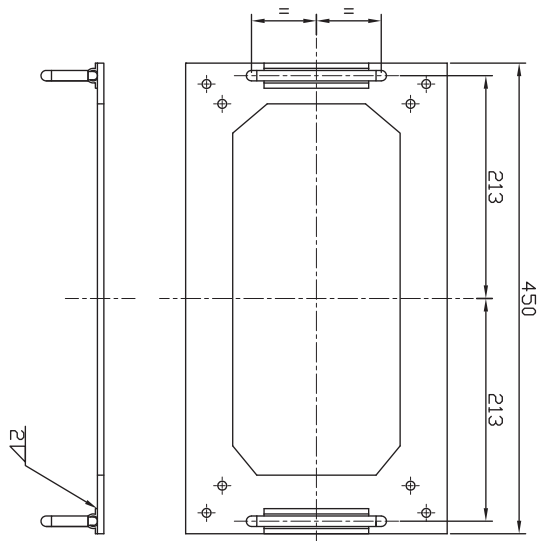
ADDITONAL INFORMATION	TYPE OF PRODUCT	NAME OF CUSTOMER/PROJECT	SCALE	WEIGHT (KGI)	DRN	NAME	SIGN	DATE	ND. DR.
CARD TYPE - 3	DR	BHARAT HEAVY ELECTRICALS LTD.	NTS	-	M.K.SONWANE			05.07.10	
		M/s RAILWAY BOARD, NEW DELHI			S.B.ARYA			05.07.10	
		JHANSI			D/KC/GR			05.07.10	

TITLE	CARD CODE	DRAWING NO.	SHEET NO.	ND. DR. SHEETS
EDGEWISE LED TYPE INSTRUMENT		3 719 36 05 002	01	01

300 50 93 61 L 3  
DN DINWARD

DIMNL. TOL:- AS PER CORP. STD. AA 062 11 04 GRADE OF  
ACCURACY 'A' UNLESS OTHERWISE STATED.



VAR 00	REMARKS	ITEM NO.	DESCRIPTION	DRAWING NO.	IT. NO.	MATL. CODE	MATL. SPECN	A - C	UNIT WT.	QTY.
002	B. DT	004	ANTI SLIP RUBBER GRIP							
002		003	HANDELS	3 719 36 05 009	002					
002		002	BRACKET	3 719 36 05 009	001					
001	TD DETAIL	001	MTG. SHEET 2.5TKx250			AA1011711125		E	450	
						AA10111		E		

CARD TYPE - 3

CARD TYPE - 1

CARD TYPE - 2

ADDITIONAL INFORMATION

TYPE OF PRODUCT

WAG-7 LOCO

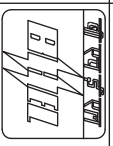
STATUS OF DRAWING U

NAME OF CUSTOMER/PROJECT

M/s RAILWAY BOARD, NEW DELHI

DISTRIBUTION OF PRINTS

LME (DW) - 1  
LMP (DW) - 1  
LMM (DW) - 3



BHARAT HEAVY ELECTRICALS LTD.  
JHANSI

DRN	NAME	DATE	ND. OF
M.K.SONWANE		05.07.10	VAR
S.B.ARYA		05.07.10	
DKC/GR		05.07.10	01

REV	DATE	ALTERED	REV	DATE	ALTERED
		CHECKED			CHECKED

REV	DATE	ALTERED
		CHECKED

DEPT	GRADE OF UN. TOL.	SCALE	WEIGHT (KGS)
LME	404	NTS	-

REF. TO ASSY. ND.	ITEM ND.	ND. OF
2 719 36 05 000	005	004

INVENTORY NO.

SIGN & DATE

REF. DRG. NO.

THIS INFORMATION ON THE DOCUMENT IS THE PROPERTY OF BHARAT HEAVY ELECTRICALS LIMITED.  
IT MUST NOT BE USED DIRECTLY OR INDIRECTLY IN ANY WAY DETRIMENTAL TO THE INTEREST OF THE COMPANY.

NOTES:-

1. ALL SHARP EDGES AND CORNERS TO BE ROUNDED OFF.
2. ALL WELDS TO CONFORM TO CORP. STD. AA062 21 01
3. FINISH:-NATURAL

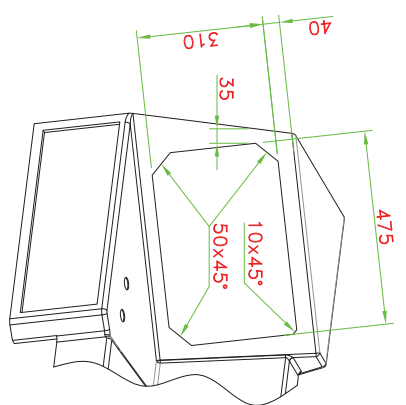
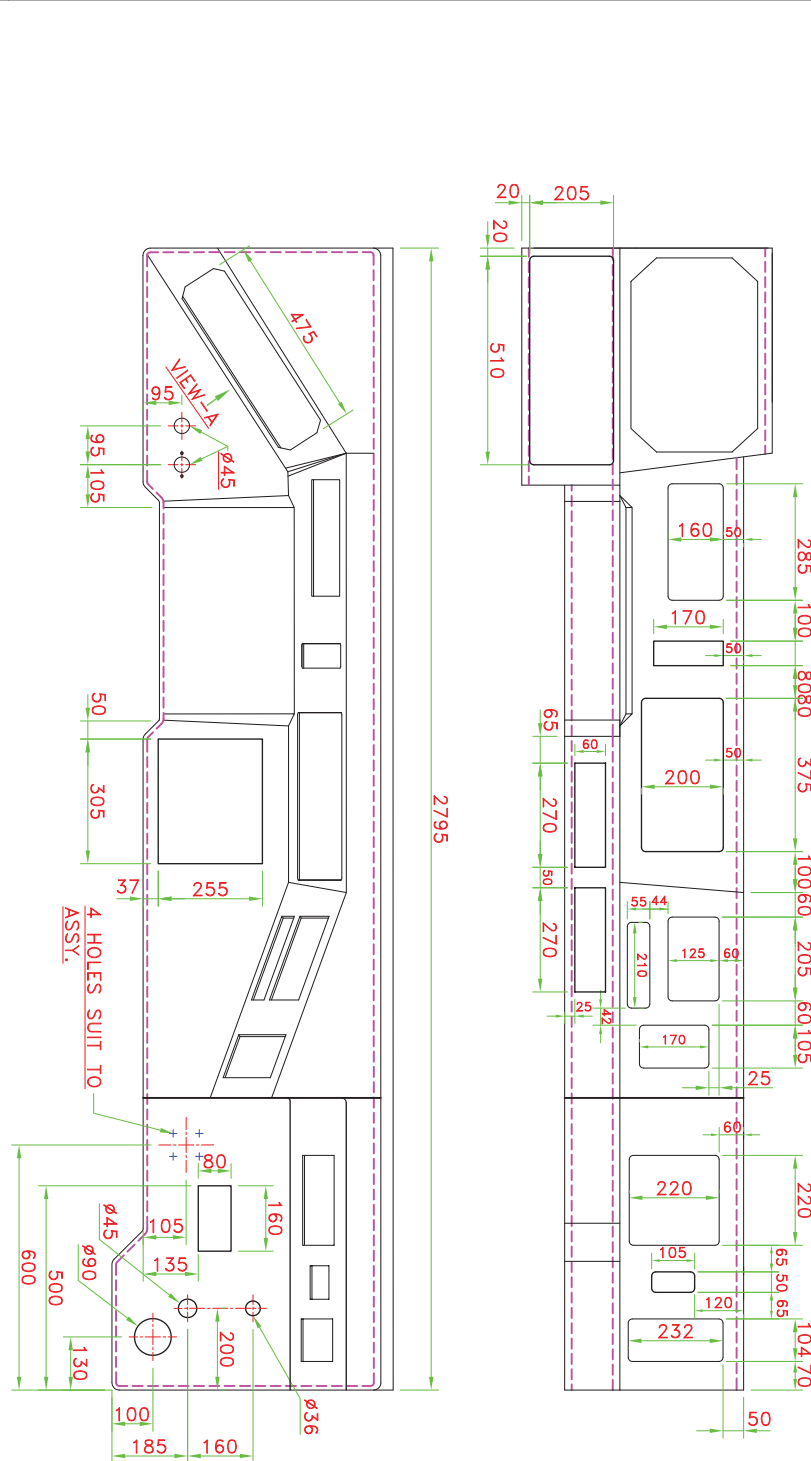
TITLE  
**BL KEY BOX**  
SUB-ASSY

CARD CODE	DRAWING ND.	SHEET ND.	ND. OF SHEETS	REV.
	3 719 36 05 003	01	01	00



500 50 93 61 L 3  
DN DNIWARD

THIS INFORMATION ON THE DOCUMENT IS THE PROPERTY OF BHARAT HEAVY ELECTRICALS LIMITED.  
IT MUST NOT BE USED DIRECTLY OR INDIRECTLY IN ANY WAY DETRIMENTAL TO THE INTEREST OF THE COMPANY.



- NOTES:-
1. ALL SHARP EDGES AND BURRS TO BE REMOVED.
  2. MTG. HOLES FOR LED PANEL,CPU DISPLAY & AC CONTROLLER TO BE MADE FRP TO SUIT.
  3. FINISH:- NATURAL

VAR 00	REMARKS	ITEM NO.	DESCRIPTION	STD	DRAWING NO.	IT. NDL	MATL. CODE	MATL. SPECN	UNIT	WT.	QTY.
001		001	DRIVER DESK ASSY.		2 719 36 05 001	00			A	LINS	

REV	DATE	ALTERED	MAK.	SONWANE
01	14.03.13	CHECKED		
02	03.10.13	CHECKED		

REV	DATE	ALTERED	MODIFIED
02	03.10.13	CHECKED	

REV	DATE	ALTERED	CHECKED
02	03.10.13	CHECKED	

INVENTORY NO.

SIGN & DATE

REF. DRG. NO.  
**R083F202**

REV	DATE	ALTERED	MAK.	SONWANE
01	14.03.13	CHECKED		

REV	DATE	ALTERED	MAK.	SONWANE
01	14.03.13	CHECKED		

REV	DATE	ALTERED	MAK.	SONWANE
01	14.03.13	CHECKED		

REV	DATE	ALTERED	MAK.	SONWANE
01	14.03.13	CHECKED		

REV	DATE	ALTERED	MAK.	SONWANE
01	14.03.13	CHECKED		

REV	DATE	ALTERED	MAK.	SONWANE
01	14.03.13	CHECKED		

REV	DATE	ALTERED	MAK.	SONWANE
01	14.03.13	CHECKED		

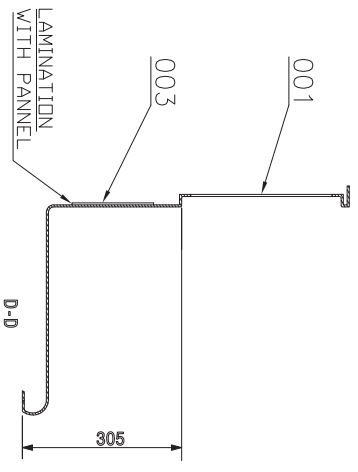
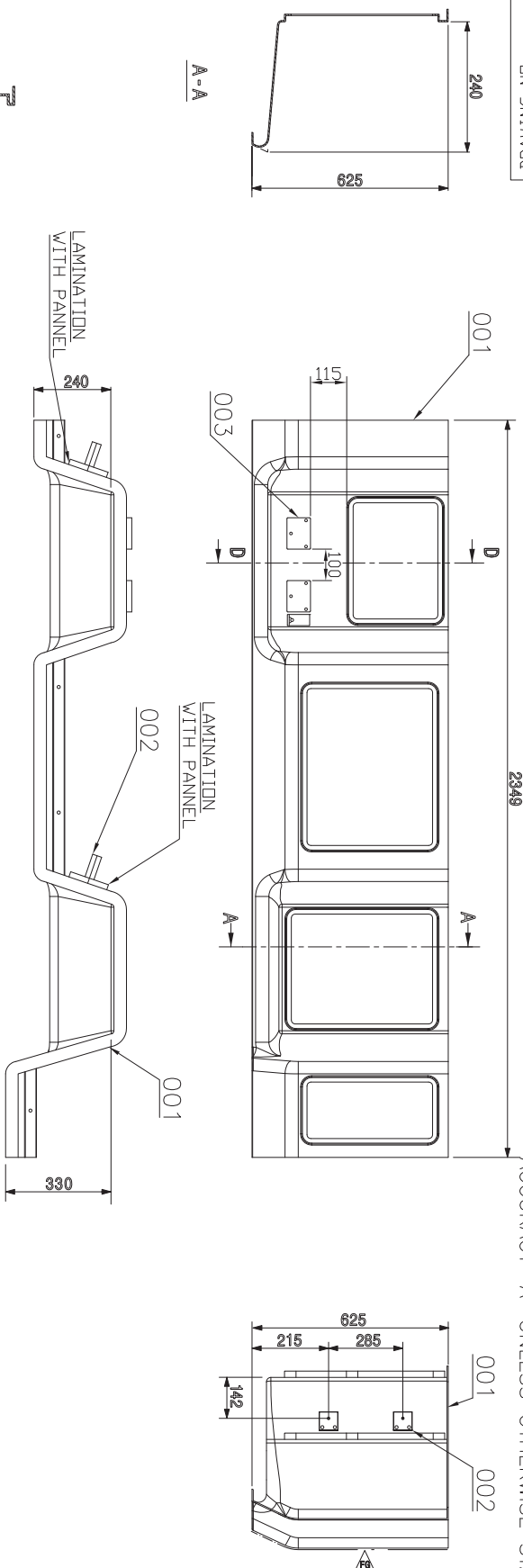
REV	DATE	ALTERED	MAK.	SONWANE
01	14.03.13	CHECKED		

REV	DATE	ALTERED	MAK.	SONWANE
01	14.03.13	CHECKED		

REV	DATE	ALTERED	MAK.	SONWANE
01	14.03.13	CHECKED		

900 50 9C 61L 3  
DN INWARD

DIMNL. TOL: - AS PER CORP. STD. AA 062 11 04 GRADE OF ACCURACY 'A' UNLESS OTHERWISE STATED.



VAR 00	REMARKS	REV	DATE	ITEM NO.	DESCRIPTION	QTY	DRAWING NO.	IT. NO.	MATL. CODE	MATL. SPECN	UNIT WT.
001				001	DRIVER DESK SKIRT	3	719 36 05 007	001			
002				003	PANEL SWITCH BACK MTG. PLATE	4	719 36 05 013	001			
004				002	OFFSET STUD PLATE SUB-ASSY.	4	719 36 05 011	00			

CARD TYPE - 3

CARD TYPE - 1

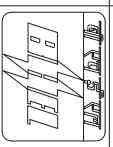
CARD TYPE - 2

ADDITIONAL INFORMATION

STATUS OF DRAWING U

DISTRIBUTION OF PRINTS

LME (DW) - 1  
LMP (DW) - 1  
LMM (DW) - 3



BHARAT HEAVY ELECTRICALS LTD.  
JHANSI

DRN	NAME	SIGN	DATE	ND. OF
CHD	M.K. SONNANE	<i>(Signature)</i>	05.07.10	VAR
APPD	S.B. ARYA	<i>(Signature)</i>	05.07.10	01

DEPT	GRADE OF UN. TOL.	SCALE	WEIGHT (KGS)
LME	UN. TOL. DIM. C/M/F	NTS	-

REF. TO ASSY. NO.	ITEM NO.	ND. OF
1 719 36 05 000	002	003

INVENTORY NO. SIGN & DATE REF. DRG. NO. R083S022 THIS INFORMATION ON THE DOCUMENT IS THE PROPERTY OF BHARAT HEAVY ELECTRICALS LIMITED. IT MUST NOT BE USED DIRECTLY OR INDIRECTLY IN ANY WAY DETRIMENTAL TO THE INTEREST OF THE COMPANY.

REV	DATE	ALTERED	REV	DATE	ALTERED
		CHECKED			CHECKED

REV	DATE	ALTERED
		CHECKED

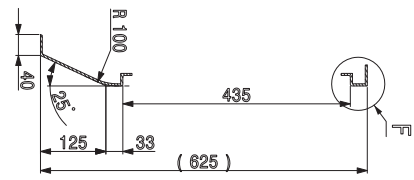
TITLE  
**DRIVER DESK SKIRT SUB-ASSY**

CARD CODE	DRAWING NO.	SHEET NO.	ND. OF SHEETS
	<b>3 719 36 05 006</b>	01	01

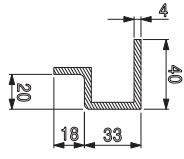


700 50 53 61 L 3  
IN DIMWARD

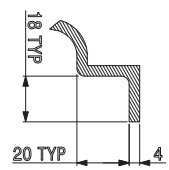
DIMNL. TOL:- AS PER CORP. STD. AA 062 11 04 GRADE OF ACCURACY 'A' UNLESS OTHERWISE STATED.



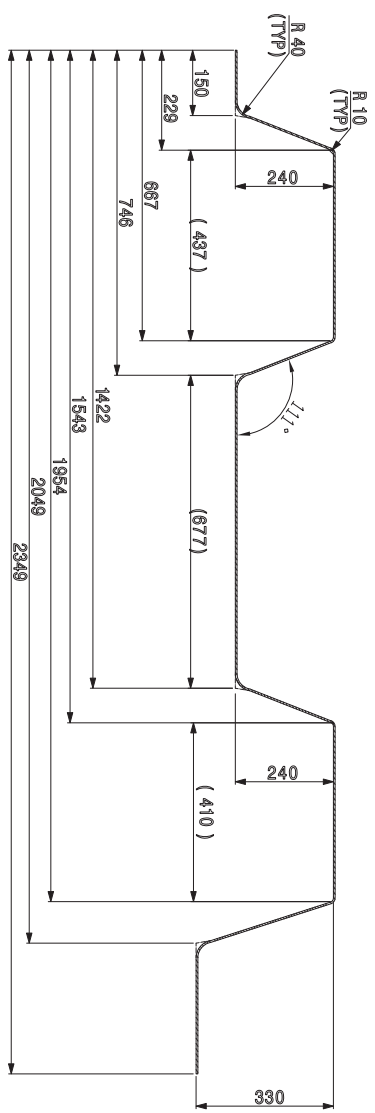
SECTION CUT E-E



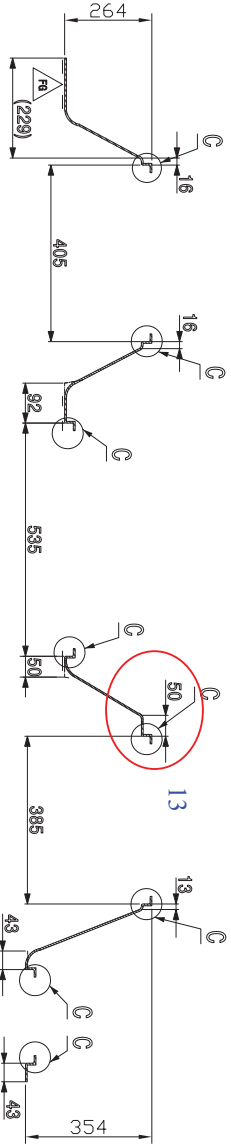
DETAIL-F



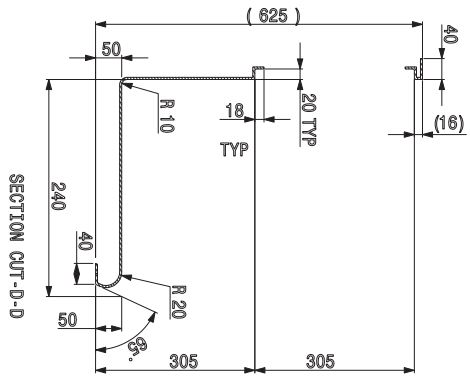
DETAIL-C



SECTION CUT A-A



SECTION CUT B-B



SECTION CUT-D-D

REF. DRG. NO.  
R083F203

THIS INFORMATION ON THE DOCUMENT IS THE PROPERTY OF BHARAT HEAVY ELECTRICALS LIMITED.  
IT MUST NOT BE USED DIRECTLY OR INDIRECTLY IN ANY WAY DETRIMENTAL TO THE INTEREST OF THE COMPANY.

SIGN & DATE

INVENTORY NO.

NOTES:-  
1. ALL SHARP EDGES AND CORNERS TO BE ROUNDED OFF.  
2. FINISH:- NATURAL

REV	DATE	ALTERED	REV	DATE	ALTERED
		CHECKED			CHECKED

001				
VAR 00	REMARKS	REV	NO.	DATE

001	DRIVER DESK SKIRT	IS	DRAWING NO.
-----	-------------------	----	-------------

IT. NO.	MATL. CODE	UNIT WT.
VAR	MATL. SPECN	QTY.

NAME	SIGN	DATE	NO. OF
DR. DHADSE	Sd/-	05.07.10	VAR
S.B. ARYA	Sd/-	05.07.10	
DKC/GR	Sd/-	05.07.10	

ADDITIONAL INFORMATION

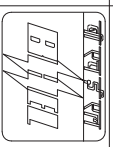
STATUS OF DRAWING U

DISTRIBUTION OF PRINTS

LME (DW) - 1  
LMP (DW) - 1  
LMM (DW) - 3

REV 01 DATE 06.04.13 CHECKED

SECTION B-B DIMNS. 354 & 264 WERE 330 & 240 RESPLY. DRG. UPDATED.



BHARAT HEAVY ELECTRICALS LTD.  
JHANSI

DRN T.R. DHADSE  
CHD S.B. ARYA  
APPD DKC/GR

DEPT	LME	GRADE OF UN. TOL. DIM. C/M/F	SCALE	WEIGHT (KG)
404			NTS	

SECTIONAL DETAIL OF DRIVER DESK SKIRT ASSY.

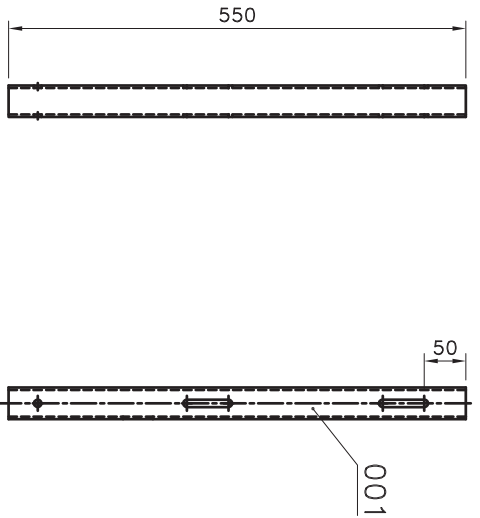
CARD CODE	DRAWING NO.	SHEET NO.	NO. OF SHEETS
	3 719 36 05 007	02	02

800 50 93 61 L 3  
DN GNLWAW  
DRAWING

DIMNL. TOL:- AS PER CORP. STD. AA 062 11 04 GRADE OF  
ACCURACY 'A' UNLESS OTHERWISE STATED.

(ALL DIMENSIONS ARE IN MM)

THIS INFORMATION ON THE DOCUMENT IS THE PROPERTY OF BHARAT HEAVY ELECTRICALS LIMITED.  
IT MUST NOT BE USED DIRECTLY OR INDIRECTLY IN ANY WAY DETRIMENTAL TO THE INTEREST OF THE COMPANY.



VAR. NO.	REMARKS	ISS. NO.	ITEM NO.	DESCRIPTION	ISS.	DRAWING NO.	IT. NO.	MATL. CODE	A - LIMS	UNIT VT.
001			001	DESK SUPPORT	4 719 36 05 022		001			

STATUS OF DRAWING U

ADDITIONAL INFORMATION

TYPE OF PRODUCT OR

NAME OF CUSTOMER/PROJECT

M/s RAILWAY BOARD, NEW DELHI

DISTRIBUTION OF PRINTS  
LME (DW) - 1  
LMP (DW) - 1  
LMM (DW) - 3

BHARAT HEAVY ELECTRICALS LTD.  
JHANSI

DRN	NAME	SIGN	DATE	NO. OF
CHD	M.K.SONWANE		20.07.10	VAR
APPD	S.B.ARYA		20.07.10	00

REV	DATE	ALTERED	CHECKED	REV	DATE	ALTERED	CHECKED

REV.	DATE	ALTERED	CHECKED	REV.	DATE	ALTERED	CHECKED

DEPT LINE	GRADE OF UN. TOL. DIM. C/M/F	SCALE	WEIGHT (KGD)	APPD	REF. TO ASSY. NO.	ITEM NO.	NO. OF
404		NTS	-		1 719 36 05 000	003	000

TITLE	CARD CODE	DRAWING NO.	SHEET NO.	NO. OF SHEETS	REV.
DESK SKIRT SUPPORT ASSY.		3 719 36 05 008	01	01	00

INVENTORY NO.	SIGN & DATE	REF. DRG. NO.

NOTES:-  
1. ALL SHARP EDGES AND CORNER TO BE ROUNDED OFF.  
2. FINISH:- NATURAL

600 50 93 61 L 3  
DN GINIMVAD  
DRAWING

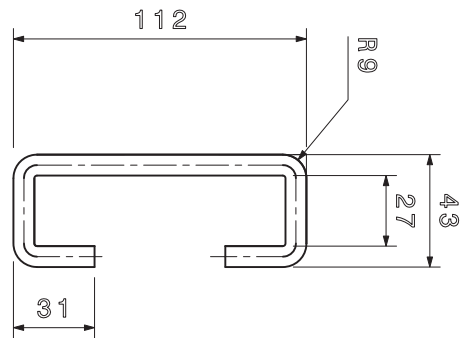
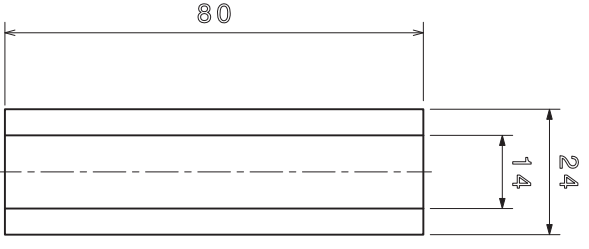
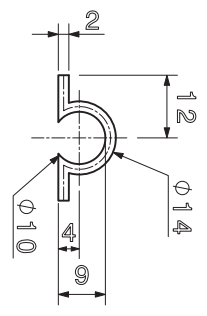
DIMNL. TOL:- AS PER CORP. STD. AA 062 11 04 GRADE OF  
ACCURACY 'A' UNLESS OTHERWISE STATED.

THIS INFORMATION ON THE DOCUMENT IS THE PROPERTY OF BHARAT HEAVY ELECTRICALS LIMITED.  
IT MUST NOT BE USED DIRECTLY OR INDIRECTLY IN ANY WAY DETRIMENTAL TO THE INTEREST OF THE COMPANY.

REF. DRG. NO.  
R083C413

SIGN & DATE

INVENTORY NO.



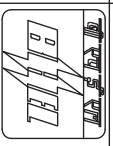
- NOTES:-  
1. ALL SHARP EDGES AND CORNERS TO BE ROUNDED OFF.  
2. FINISH:-RAL 7043 OR EQUIVALENT COLOUR (DARK GREY)  
POWDER COAT

REV	DATE	ALTERED	CHECKED	REV	DATE	ALTERED	CHECKED

VAR 00	REMARKS	REV	DATE	ALTERED	CHECKED	REV	DATE	ALTERED	CHECKED
001		001				002			
001		001				001			

ADDITIONAL INFORMATION  
STATUS OF DRAWING U  
DISTRIBUTION OF PRINTS  
LME (DV) - 1  
LMP (DV) - 1  
LMM (DV) - 3

CARD TYPE - 3  
CARD TYPE - 1  
CARD TYPE - 2



BHARAT HEAVY ELECTRICALS LTD.  
JHANSI

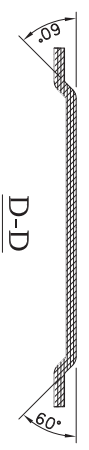
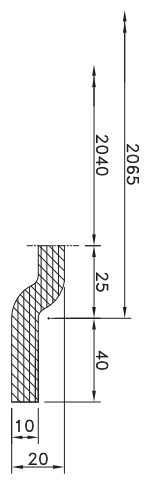
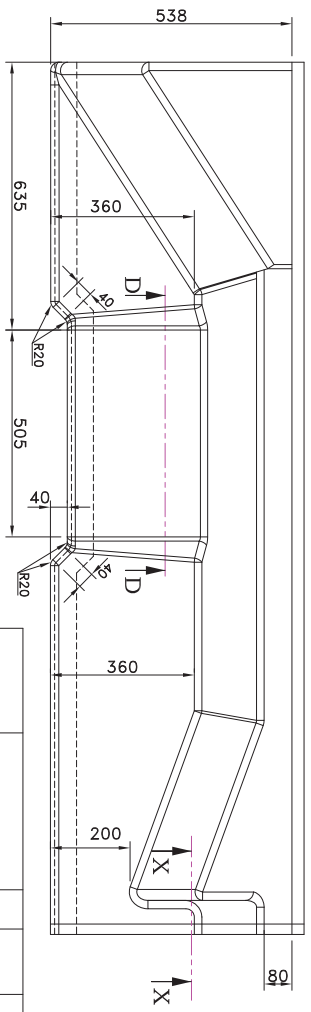
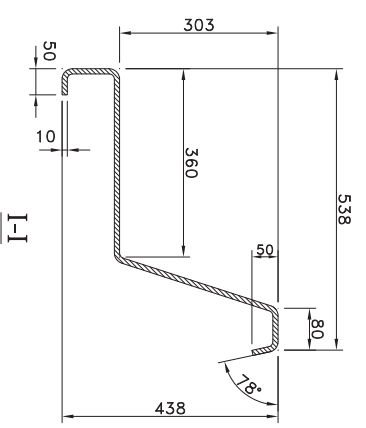
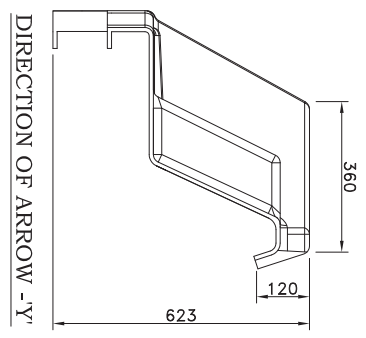
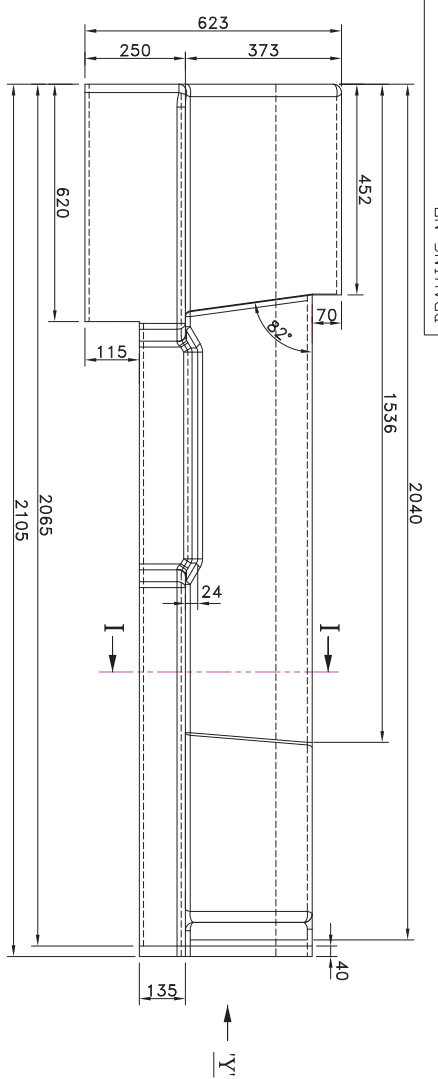
DRN	NAME	SIGN	DATE	ND. OF
	T.R.DHADSE		05.07.10	
	S.B.ARYA		05.07.10	
	DKC/GR		05.07.10	

DEPT	LME	GRADE OF UN. TOL. DIM. CM/MF	SCALE	WEIGHT (KGS)	CARD CODE	DRAWING NO.	SHEET NO.	ND. OF SHEETS

010 50 98 61 L 3  
DN DINWARD

DIMNL. TOL:- AS PER CORP. STD. AA 062 11 04 GRADE OF ACCURACY 'A' UNLESS OTHERWISE STATED.

(ALL DIMENSIONS ARE IN MM)



NOTES:-

1. UNSPECIFIED RADIUS : 3 mm.
2. ALL INSIDE EDGES (GELCOAT SIDE) TO BE ROUNDED OF WITH 3mm RADIUS.
3. PANELS WILL BE TRIMED AS PER REQUIREMENT WHILE ASSEMBLING.
4. FRP MATERIAL TO RDSO SPECIFICATION NO.-RDSO/2008/EL/SPEL/0058 (REV.-0) MAR.2008
5. FINISH:- NATURAL

VAR 00	REMARKS	REV	DATE	ALTERED-MK	APPL	DEPT	GRADE OF UN. TOL. DIM. C/M/F	SCALE	WEIGHT (KG)	DRN	NAME	SIGN	DATE	ND. OF
001		01	14.03.13	CHD.	APPL.	LME		NTS	-	M.K.SONWANE	[Signature]	29.07.10	VAR	
										S.B.ARYA	[Signature]	29.07.10	VAR	
										DKC/GR	[Signature]	29.07.10		

STATUS OF DRAWING U

DISTRIBUTION OF PRINTS

LME (DW) - 1  
LMP (DW) - 1  
LMM (DW) - 3

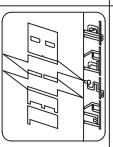
REV 01 DATE 14.03.13 CHD. ALTERED-MK Sonwane APPL.

DIMNS: 635,620,505,80,538,40,135,40 & 120 WERE 580,568,494,79,577,20,110,32 & 96 AND DIMNS. ADDED 78°, DIMNS. 335 & R20 DELETED. DRG. REDRAWN & UPDATED.

TYPE OF PRODUCT DR WAG-7 LOCO

NAME OF CUSTOMER/PROJECT M/s RAILWAY BOARD, NEW DELHI

BHARAT HEAVY ELECTRICALS LTD.



JHANSI

DEPT LME



SCALE NTS

WEIGHT (KG) -

REF. TO ASSY. NO. 2 719 36 05 001

ITEM NO. 001

TITLE DRIVER DESK FRONT (R.H.)

CARD CODE

DRAWING NO. 3 719 36 05 010

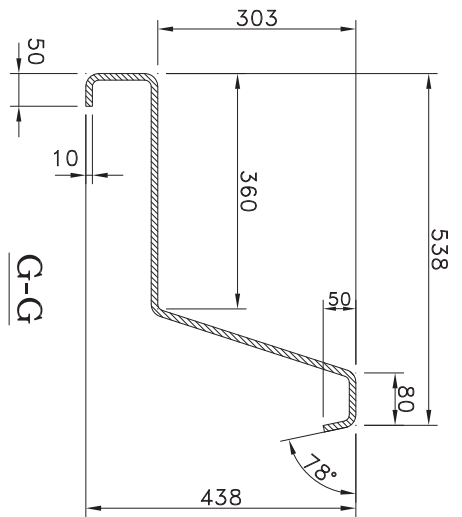
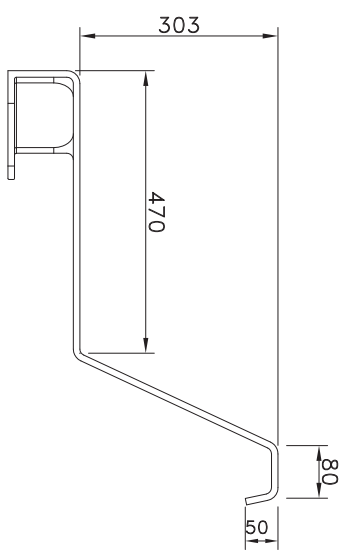
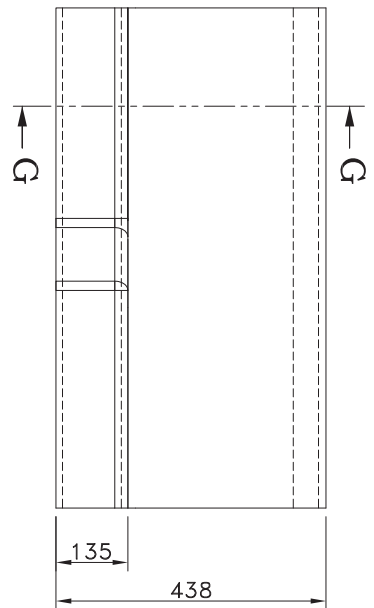
REV. 01

THIS INFORMATION ON THE DOCUMENT IS THE PROPERTY OF BHARAT HEAVY ELECTRICALS LIMITED. IT MUST NOT BE USED DIRECTLY OR INDIRECTLY IN ANY WAY DETRIMENTAL TO THE INTEREST OF THE COMPANY.

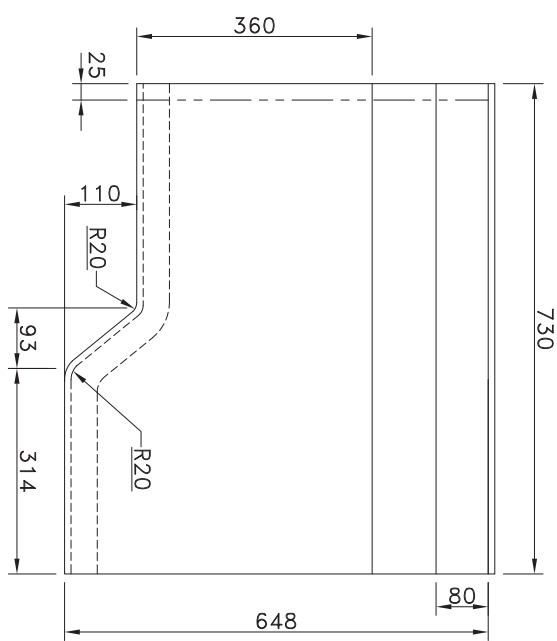
INVENTORY NO. SIGN & DATE REF. DRG. NO. REV. DATE ALTERED CHECKED

110 50 93 61 L 3  
DN DNIWARD

DIMNL. TOL:- AS PER CORP. STD. AA 062 11 04 GRADE OF ACCURACY 'A' UNLESS OTHERWISE STATED.



THIS INFORMATION ON THE DOCUMENT IS THE PROPERTY OF BHARAT HEAVY ELECTRICALS LIMITED. IT MUST NOT BE USED DIRECTLY OR INDIRECTLY IN ANY WAY DETRIMENTAL TO THE INTEREST OF THE COMPANY.



- NOTES:-
1. UNSPECIFIED RADIUS : 3 mm.
  2. ALL INSIDE EDGES (GELCOAT SIDE) TO BE ROUNDED OF WITH 3mm RADIUS.
  3. PANELS WILL BE TRIMED AS PER REQUIREMENT WHILE ASSEMBLING.
  4. FRP MATERIAL TO RPSO SPECIFICATION NO.-RPSO/2008/EL/SP/EL/0058 (REV.-0) MAR,2008
  5. FINISH:- NATURAL

REV	DATE	ALTERED	CHKD	APPD	REMARKS	ITEM NO.	DESCRIPTION	DRAWING NO.	IT. NO.	MATL. CODE	UNIT WT.
001						001	DRIVER DESK FRONT				
VAR 00											

ADDITIONAL INFORMATION		CARD TYPE - 3	
STATUS OF DRAWING		U	
DISTRIBUTION OF PRINTS		LME (DW) - 1 LMP (DW) - 1 LMM (DW) - 3	

REV		DATE		ALTERED		CHKD		APPD		REMARKS	
01		14.03.13									M.K.Sonwane
DIMNS:		648,80,470,538		WERE		653,79,420,537		RESPLY. &		DIMNS. 303,438,135,50 AND 78° ADDED.	
DRG.		REDRAWN &		UPDATED.							

REV		DATE		ALTERED		CHKD		APPD		REMARKS	
01		14.03.13									M.K.Sonwane

REV		DATE		ALTERED		CHKD		APPD		REMARKS	
01		14.03.13									M.K.Sonwane

REV		DATE		ALTERED		CHKD		APPD		REMARKS	
01		14.03.13									M.K.Sonwane

REV		DATE		ALTERED		CHKD		APPD		REMARKS	
01		14.03.13									M.K.Sonwane

REV		DATE		ALTERED		CHKD		APPD		REMARKS	
01		14.03.13									M.K.Sonwane

REV		DATE		ALTERED		CHKD		APPD		REMARKS	
01		14.03.13									M.K.Sonwane

REV		DATE		ALTERED		CHKD		APPD		REMARKS	
01		14.03.13									M.K.Sonwane

REV		DATE		ALTERED		CHKD		APPD		REMARKS	
01		14.03.13									M.K.Sonwane

REV		DATE		ALTERED		CHKD		APPD		REMARKS	
01		14.03.13									M.K.Sonwane

REV		DATE		ALTERED		CHKD		APPD		REMARKS	
01		14.03.13									M.K.Sonwane

REV		DATE		ALTERED		CHKD		APPD		REMARKS	
01		14.03.13									M.K.Sonwane

REV		DATE		ALTERED		CHKD		APPD		REMARKS	
01		14.03.13									M.K.Sonwane

REV		DATE		ALTERED		CHKD		APPD		REMARKS	
01		14.03.13									M.K.Sonwane

REV		DATE		ALTERED		CHKD		APPD		REMARKS	
01		14.03.13									M.K.Sonwane

REV		DATE		ALTERED		CHKD		APPD		REMARKS	
01		14.03.13									M.K.Sonwane

REV		DATE		ALTERED		CHKD		APPD		REMARKS	
01		14.03.13									M.K.Sonwane

REV		DATE		ALTERED		CHKD		APPD		REMARKS	
01		14.03.13									M.K.Sonwane

REV		DATE		ALTERED		CHKD		APPD		REMARKS	
01		14.03.13									M.K.Sonwane

REV		DATE		ALTERED		CHKD		APPD		REMARKS	
01		14.03.13									M.K.Sonwane

REV		DATE		ALTERED		CHKD		APPD		REMARKS	
01		14.03.13									M.K.Sonwane

REV		DATE		ALTERED		CHKD		APPD		REMARKS	
01		14.03.13									M.K.Sonwane

REV		DATE		ALTERED		CHKD		APPD		REMARKS	
01		14.03.13									M.K.Sonwane

REV		DATE		ALTERED		CHKD		APPD		REMARKS	
01		14.03.13									M.K.Sonwane

REV		DATE		ALTERED		CHKD		APPD		REMARKS	
01		14.03.13									M.K.Sonwane

REV		DATE		ALTERED		CHKD		APPD		REMARKS	
01		14.03.13									M.K.Sonwane

REV		DATE		ALTERED		CHKD		APPD		REMARKS	
01		14.03.13									M.K.Sonwane

REV		DATE		ALTERED		CHKD		APPD		REMARKS	
01		14.03.13									M.K.Sonwane

REV		DATE		ALTERED		CHKD		APPD		REMARKS	
01		14.03.13									M.K.Sonwane

REV		DATE		ALTERED		CHKD		APPD		REMARKS	
01		14.03.13									M.K.Sonwane

REV		DATE		ALTERED		CHKD		APPD		REMARKS	
01		14.03.13									M.K.Sonwane

REV		DATE		ALTERED		CHKD		APPD		REMARKS	
01		14.03.13									M.K.Sonwane

REV		DATE		ALTERED		CHKD		APPD		REMARKS	
01		14.03.13									M.K.Sonwane

REV		DATE		ALTERED		CHKD		APPD		REMARKS	
01		14.03.13									M.K.Sonwane

REV		DATE		ALTERED		CHKD		APPD		REMARKS	
01		14.03.13									M.K.Sonwane

REV		DATE		ALTERED		CHKD		APPD		REMARKS	
01		14.03.13									M.K.Sonwane

REV		DATE		ALTERED		CHKD		APPD		REMARKS	
01		14.03.13									M.K.Sonwane

REV		DATE		ALTERED		CHKD		APPD		REMARKS	
01		14.03.13									M.K.Sonwane

REV		DATE		ALTERED		CHKD		APPD		REMARKS	
01		14.03.13									M.K.Sonwane

REV		DATE		ALTERED		CHKD		APPD		REMARKS	
01		14.03.13									M.K.Sonwane

REV		DATE		ALTERED		CHKD		APPD		REMARKS	
01		14.03.13									M.K.Sonwane

REV		DATE		ALTERED		CHKD		APPD		REMARKS	
01		14.03.13									M.K.Sonwane

REV		DATE		ALTERED		CHKD		APPD		REMARKS	
01		14.03.13									M.K.Sonwane

REV		DATE		ALTERED		CHKD		APPD		REMARKS	
01		14.03.13									M.K.Sonwane

REV		DATE		ALTERED		CHKD		APPD		REMARKS	
01		14.03.13									M.K.Sonwane

REV		DATE		ALTERED		CHKD		APPD		REMARKS	
01		14.03.13									M.K.Sonwane

REV		DATE		ALTERED		CHKD		APPD		REMARKS	
01		14.03.13									M.K.Sonwane

REV		DATE		ALTERED		CHKD		APPD		REMARKS	
01		14.03.13									M.K.Sonwane

REV		DATE		ALTERED		CHKD		APPD		REMARKS	
01		14.03.13									M.K.Sonwane

REV		DATE		ALTERED		CHKD		APPD		REMARKS	
01		14.03.13									M.K.Sonwane

REV		DATE		ALTERED		CHKD		APPD		REMARKS	
01		14.03.13									M.K.Sonwane

REV		DATE		ALTERED		CHKD		APPD		REMARKS	
01		14.03.13									M.K.Sonwane

REV		DATE		ALTERED		CHKD		APPD		REMARKS	
01		14.03.13									M.K.Sonwane

REV		DATE		ALTERED		CHKD		APPD		REMARKS	
01		14.03.13									M.K.Sonwane

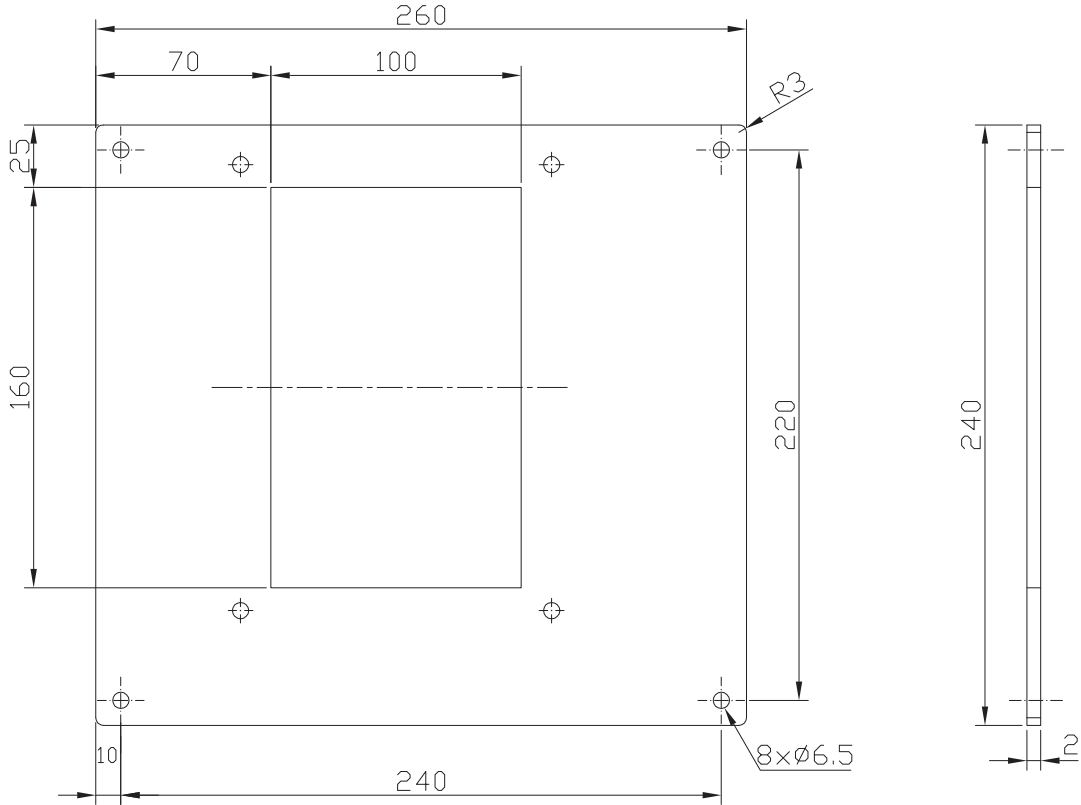
REV		DATE		ALTERED		CHKD		APPD		REMARKS	
01		14.03.13									M.K.Sonwane

REV		DATE		ALTERED		CHKD		APPD		REMARKS	
01											

THIS INFORMATION ON THE DOCUMENT IS THE PROPERTY OF BHARAT HEAVY ELECTRICALS LIMITED. IT MUST NOT BE USED DIRECTLY OR INDIRECTLY IN ANY WAY DETRIMENTAL TO THE INTEREST OF THE COMPANY.

REV	DATE	ALTERED	REV	DATE	ALTERED	ADDITIONAL INFORMATION
		CHECKED			CHECKED	
STATUS OF DRAWING						
DISTRIBUTION OF PRINTS						LME(DV)-1      LMP(DV)-1      LMM(DV)-3

DIMNL. TOL:- AS PER CORP. STD. AA 062 11 04 GRADE OF ACCURACY 'A' UNLESS OTHERWISE STATED.



NOTES:-

1. ALL SHARP EDGES AND CORNERS TO BE ROUNDED OFF.
2. FINISH:-DARK GREY COLOUR POWDER COAT.

R083C416	REF. DRG. No.	001	mm	STEEL SHEET	001	AA1011711117					
			260	2Tk x 240		AA10111					
		UNIT OF QTY.		DESCRIPTION	ITEM No.	DRAWING No.	ITEM No.	MATL. CODE	A	COMP GROUP	UNIT WEIGHT (kg)
		R.M UNIT QTY.					VARI-ANT	MATL. SPECN.	C		QTY.
CARD TYPE-2				CARD TYPE-1							

SIGN & DATE			BHARAT HEAVY ELECTRICALS LTD. JHANSI								
	DEPT. LME	CODE 404		SCALE 1:2	WEIGHT (kg.) -	REF. TO ASSY. DRG. 2 719 36 05 000 IT. 006					

INVENTORY No.	TITLE <b>FLASHER CONTROL UNIT MTG. PLATE.</b>					DRAWN	M.K.SONWANE	SIGN	DATE
						CHECKED	S.B.ARYA		06.07.10
						APPROVED	DKC/GR		06.07.10
DIMENSIONS TO BE CONTROLLED WITHIN AS LIMITS SHOWN. MACHINING TOLERANCE +_0.25mm UNLESS OTHERWISE .SHOWN NON-MACHINING TOLERANCE +_.....					CARD CODE	DRAWING No. <b>4 719 36 05 001</b>			REV 00
					SHEET No	01	No. OF SHEET		01

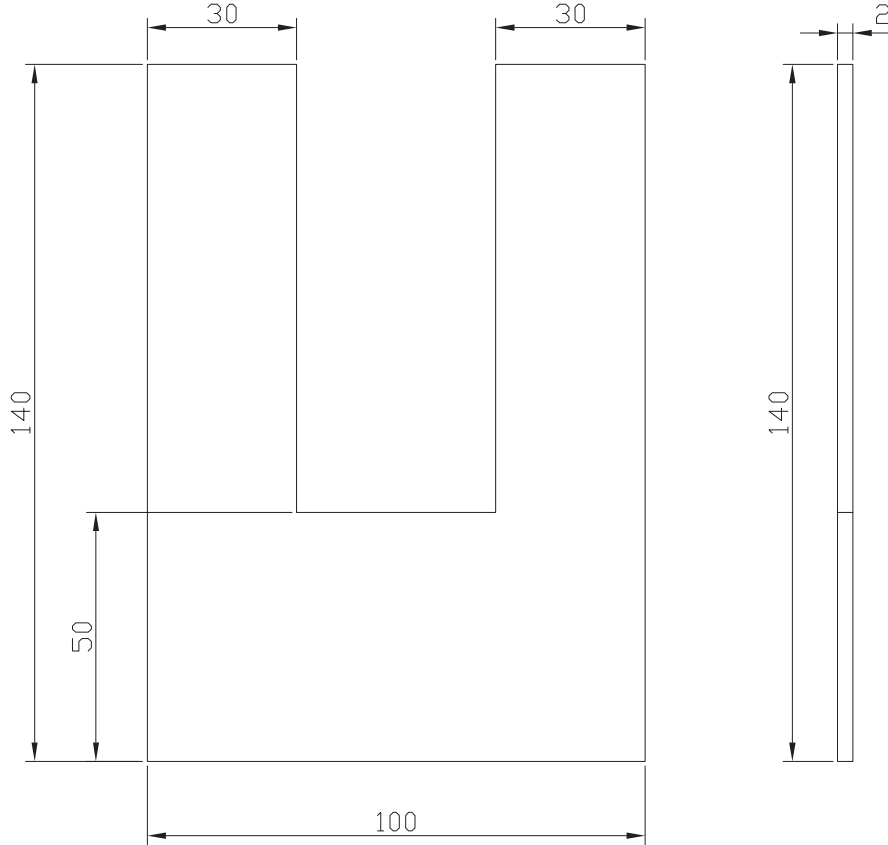
FIRST ANGLE PROJECTION

(ALL DIMENSIONS ARE IN mm)

THIS INFORMATION ON THE DOCUMENT IS THE PROPERTY OF BHARAT HEAVY ELECTRICALS LIMITED. IT MUST NOT BE USED DIRECTLY OR INDIRECTLY IN ANY WAY DETRIMENTAL TO THE INTEREST OF THE COMPANY.

REV	DATE	ALTERED	REV	DATE	ALTERED	ADDITIONAL INFORMATION
		CHECKED			CHECKED	
						STATUS OF DRAWING
						U
						DISTRIBUTION OF PRINTS
		LME(DV)-1			LMP(DV)-1	LMM(DV)-3

DIMNL. TOL:- AS PER CORP. STD. AA 062 11 04 GRADE OF ACCURACY 'A' UNLESS OTHERWISE STATED.



NOTES:-

1. ALL SHARP EDGES AND CORNERS TO BE ROUNDED OFF.
2. FINISH:-NATURAL.

R083C431

REF. DRG. No.

001	mm	STEEL SHEET	001	AA1011711117	-
	140	2Tk x 100		AA10111	
	UNIT OF QTY.	DESCRIPTION	ITEM No.	MATL. CODE	A
VARI-00	BASIC VARI-ANT	R.M UNIT QTY.	DRAWING No.	MATL. SPECN.	C
					COMP GROUP
					UNIT WEIGHT (kg)
					QTY.

CARD TYPE-2

CARD TYPE-1

SIGN & DATE



BHARAT HEAVY ELECTRICALS LTD.  
JHANSI

DEPT. LME	CODE 404		SCALE NTS	WEIGHT (kg.) -	REF. TO ASSY. DRG. 2 719 36 05 000	IT. 007
-----------	----------	--	-----------	----------------	------------------------------------	---------

INVENTORY No.

TITLE **WIPER CONTROL BACK  
MTG. PLATE**

DRAWN	NAME M.K.SONWANE	SIGN <i>M.K. Sonwane</i>	DATE 06.07.10
CHECKED	S.B.ARYA		06.07.10
APPROVED	DKC/GR		06.07.10

DIMENSIONS TO BE CONTROLLED WITHIN AS LIMITS SHOWN.  
MACHINING TOLERANCE +\_0.25mm UNLESS OTHERWISE .SHOWN  
NON-MACHINING TOLERANCE +\_.....

CARD CODE

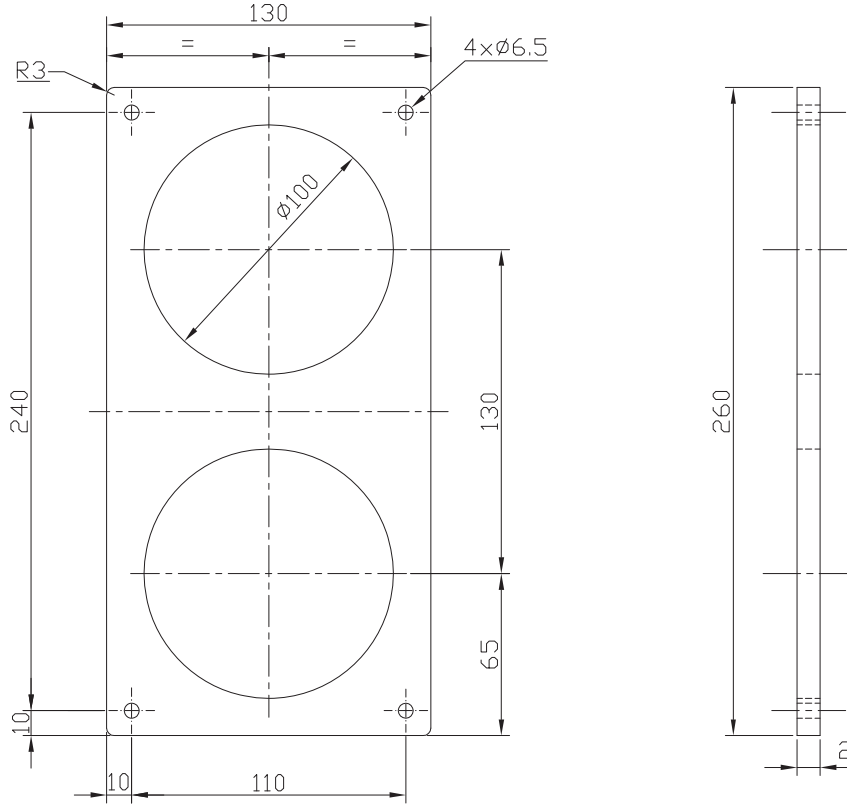
DRAWING No.	REV
<b>4 719 36 05 002</b>	00
SHEET No 01	No. OF SHEET 01

FIRST ANGLE PROJECTION

(ALL DIMENSIONS ARE IN mm)

REV	DATE	ALTERED	REV	DATE	ALTERED	ADDITIONAL INFORMATION
		CHECKED			CHECKED	
STATUS OF DRAWING						
DISTRIBUTION OF PRINTS						LME(DV)-1    LMP(DV)-1    LMM(DV)-3

DIMNL. TOL:- AS PER CORP. STD. AA 062 11 04 GRADE OF ACCURACY 'A' UNLESS OTHERWISE STATED.



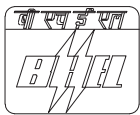
NOTES:-

1. ALL SHARP EDGES AND CORNERS TO BE ROUNDED OFF.
2. FINISH:-RAL 7043 OR EQUIVALENT COLOUR (DARK GREY)POWDER COAT.

R083C417

001	mm	STEEL SHEET	001	AA1011711117	-
	260	2Tk x 130		AA10111	-
VAR- IANT 00	BASIC VARI- ANT	R.M UNIT QTY.	DESCRIPTION	ITEM No.	MATL. CODE
					A
					C
					COMP GROUP
					UNIT WEIGHT (kg)
					QTY.
CARD TYPE-2			CARD TYPE-1		

SIGN & DATE



BHARAT HEAVY ELECTRICALS LTD.  
JHANSI

DEPT. LME	CODE 404		SCALE NTS	WEIGHT (kg.) -	REF. TO ASSY. DRG. 2 719 36 05 000	IT. 008
--------------	-------------	--	--------------	-------------------	---------------------------------------	---------

INVENTORY No.

TITLE	<b>SIGNALING BUZZER MTG. PLATE.</b>			NAME M.K.SONWANE	SIGN <i>M.K. Sonwane</i>	DATE 06.07.10
				CHECKED S.B.ARYA		06.07.10
				APPROVED DKC/GR		06.07.10

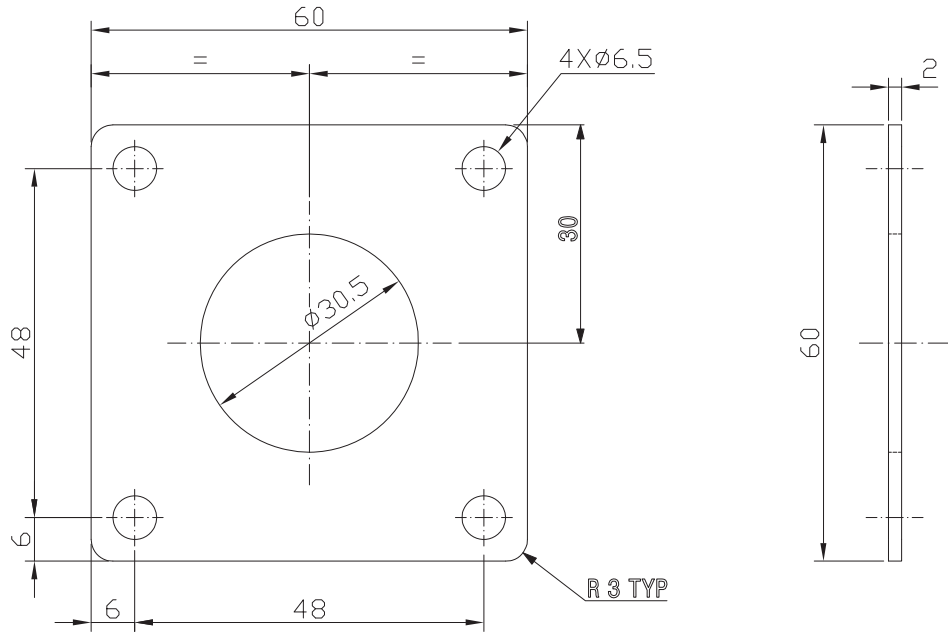
DIMENSIONS TO BE CONTROLLED WITHIN AS LIMITS SHOWN. MACHINING TOLERANCE +_0.25mm UNLESS OTHERWISE .SHOWN NON-MACHINING TOLERANCE +_ . . . . .	CARD CODE	DRAWING No. <b>4 719 36 05 003</b>	REV 00
		SHEET No 01	No. OF SHEET 01

THIS INFORMATION ON THE DOCUMENT IS THE PROPERTY OF BHARAT HEAVY ELECTRICALS LIMITED. IT MUST NOT BE USED DIRECTLY OR INDIRECTLY IN ANY WAY DETRIMENTAL TO THE INTEREST OF THE COMPANY.

THIS INFORMATION ON THE DOCUMENT IS THE PROPERTY OF BHARAT HEAVY ELECTRICALS LIMITED. IT MUST NOT BE USED DIRECTLY OR INDIRECTLY IN ANY WAY DETRIMENTAL TO THE INTEREST OF THE COMPANY.

REV	DATE	ALTERED	REV	DATE	ALTERED	ADDITIONAL INFORMATION	
		CHECKED			CHECKED		
						STATUS OF DRAWING	U
						DISTRIBUTION OF PRINTS	
						LME(DV)-1	LMP(DV)-1
							LMM(DV)-3

DIMNL. TOL:- AS PER CORP. STD. AA 062 11 04 GRADE OF ACCURACY 'A' UNLESS OTHERWISE STATED.



NOTES:-

1. ALL SHARP EDGES AND CORNERS TO BE ROUNDED OFF.
2. FINISH:-DARK GREY COLOR POWDER COAT.

R083C418

REF. DRG. No.	001	mm	STEEL SHEET	001	AA1011711117				
		60	2Tk x 60		AA10111				
VARI-ANT	BASIC VARI-ANT	R.M UNIT QTY.	DESCRIPTION	ITEM No.	DRAWING No.	ITEM No.	MATL. CODE	A	UNIT WEIGHT (kg)
00								C	
								COMP GROUP	QTY.

CARD TYPE-2

CARD TYPE-1

SIGN & DATE



BHARAT HEAVY ELECTRICALS LTD.  
JHANSI

DEPT. LME	CODE 404		SCALE NTS	WEIGHT (kg.)	REF. TO ASSY. DRG. 2 719 36 05 000	IT.009
-----------	----------	--	-----------	--------------	------------------------------------	--------

INVENTORY No.

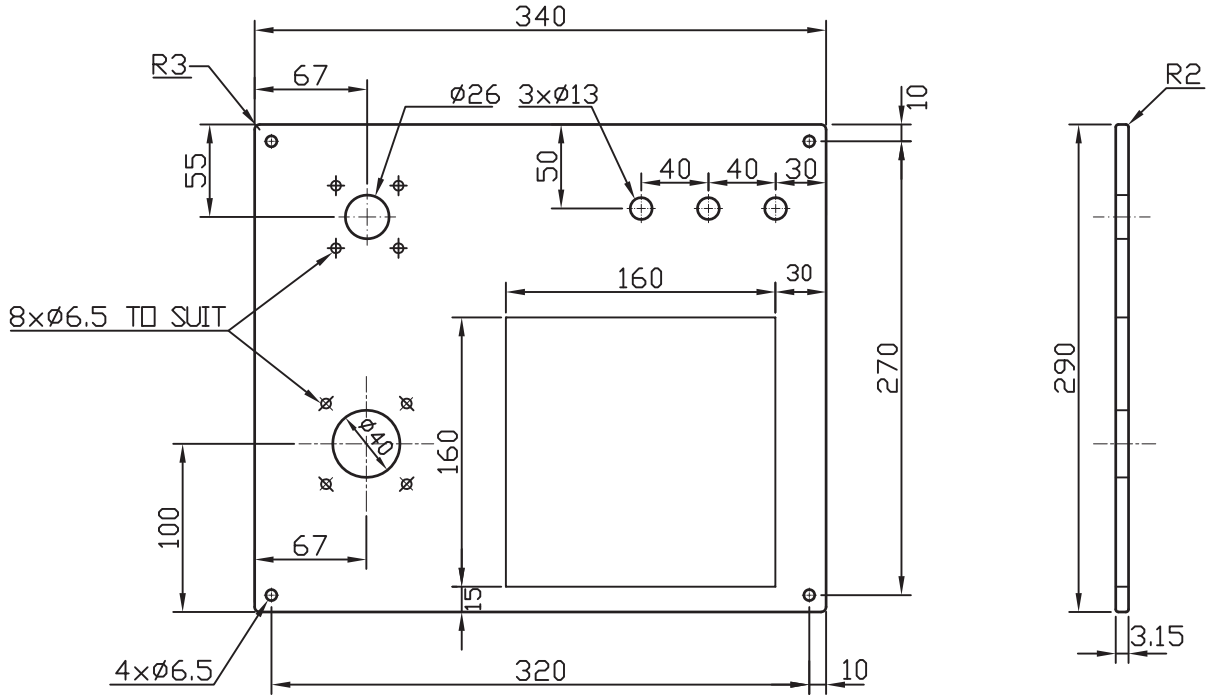
TITLE	<b>PUSH BUTTON MTG. PLATE</b>			DRAWN	NAME M.K.SONWANE	SIGN	DATE 06.07.10
				CHECKED	S.B.ARYA		06.07.10
				APPROVED	DKC/GR		06.07.10

DIMENSIONS TO BE CONTROLLED WITHIN AS LIMITS SHOWN.	CARD CODE	DRAWING No.	REV
MACHINING TOLERANCE +_0.25mm UNLESS OTHERWISE .SHOWN		4 719 36 05 004	00
NON-MACHINING TOLERANCE +_ . . . . .	SHEET No	01	No. OF SHEET 01

THIS INFORMATION ON THE DOCUMENT IS THE PROPERTY OF BHARAT HEAVY ELECTRICALS LIMITED. IT MUST NOT BE USED DIRECTLY OR INDIRECTLY IN ANY WAY DETRIMENTAL TO THE INTEREST OF THE COMPANY.

REV 02	DATE 25.9.13	ALTERED CHECKED	REV 01	DATE 01.08.12	ALTERED - M.K. Sonwane CHECKED	ADDITIONAL INFORMATION
DRG. UPDATED			DIMENSION 30 WAS 20. DRG. UPDATED.			STATUS OF DRAWING U
						DISTRIBUTION OF PRINTS LME(DV)-1 LMP(DV)-1 LMM(DV)-3

DIMNL. TOL:- AS PER CORP. STD. AA 062 11 04 GRADE OF ACCURACY 'A' UNLESS OTHERWISE STATED.



NOTES:-

1. ALL SHARP EDGES AND CORNERS TO BE ROUNDED OFF.
2. 40Ø HOLE FOR PT & 26Ø HOLE TO CPA.
3. FINISH:-GREY COLOUR POWDER COAT.

R083C420	REF. DRG. No.	001	mm	STEEL SHEET	001	AA1011711117			
			340	2Tk x 290		AA10111			
		UNIT OF QTY.		DESCRIPTION	ITEM No.	MATL. CODE	A	COMP GROUP	UNIT WEIGHT (kg)
		R.M UNIT QTY.				MATL. SPECN.	C		QTY.
CARD TYPE-2					CARD TYPE-1				

**SIGN & DATE**

# BHARAT HEAVY ELECTRICALS LTD.

## JHANSI

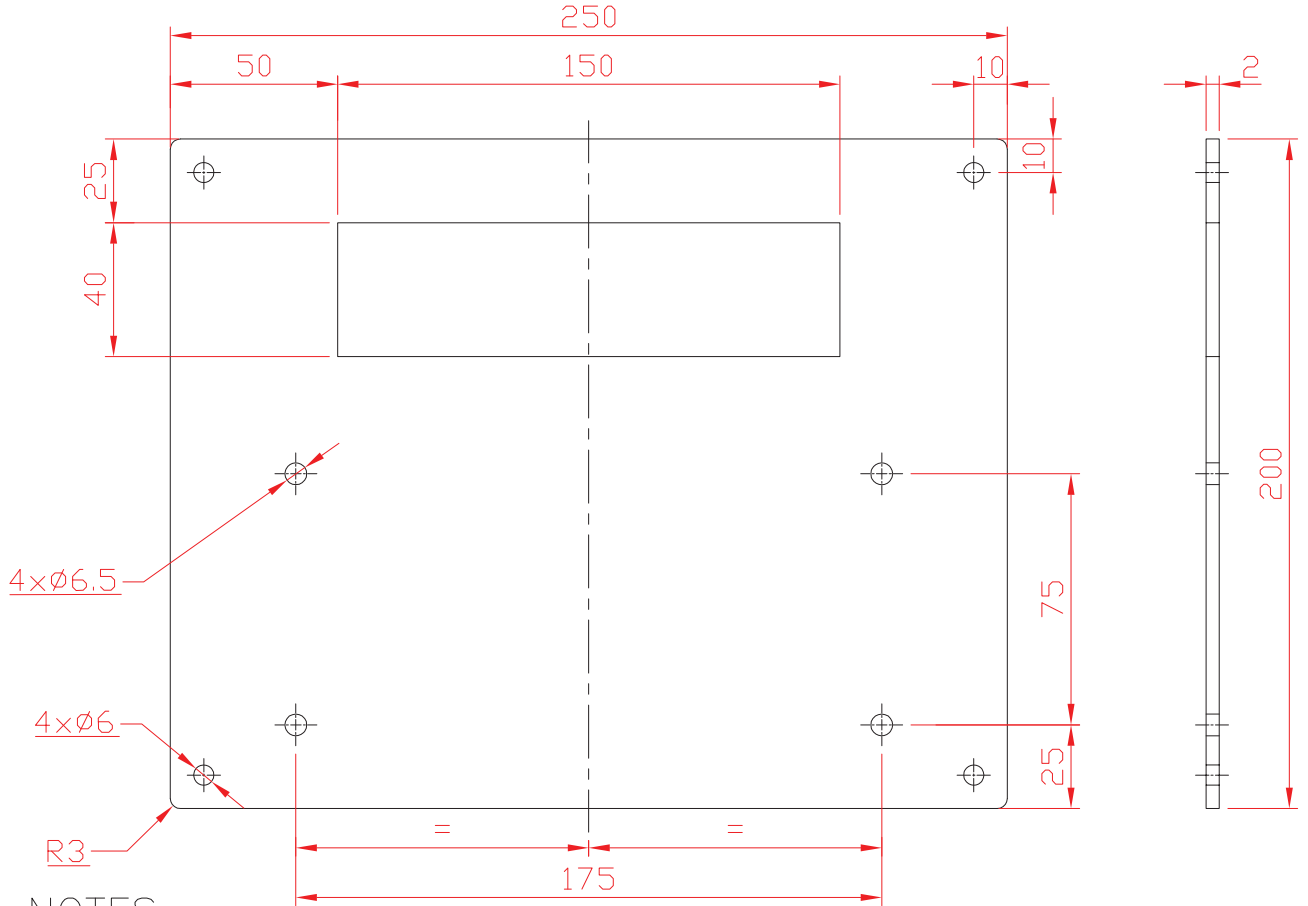
DEPT. LME	CODE 404		SCALE NTS	WEIGHT (kg.) -	REF. TO ASSY. DRG. 2 719 36 05 000	IT. 010
TITLE <u>NOTCH INDI-PANTOS TOGGLE</u>			DRAWN M.K.SONWANE	NAME Sd/-	SIGN Sd/-	DATE 06.07.10
			CHECKED S.B.ARYA	NAME Sd/-	SIGN Sd/-	DATE 06.07.10
			APPROVED DKC/GR	NAME Sd/-	SIGN Sd/-	DATE 06.07.10

INVENTORY No.	DIMENSIONS TO BE CONTROLLED WITHIN AS LIMITS SHOWN. MACHINING TOLERANCE +_0.25mm UNLESS OTHERWISE .SHOWN NON-MACHINING TOLERANCE +_.....	CARD CODE	DRAWING No.	REV
			4 719 36 05 005	02
			SHEET No 01	No. OF SHEET 01

THIS INFORMATION ON THE DOCUMENT IS THE PROPERTY OF BHARAT HEAVY ELECTRICALS LIMITED. IT MUST NOT BE USED DIRECTLY OR INDIRECTLY IN ANY WAY DETRIMENTAL TO THE INTEREST OF THE COMPANY.

REV	DATE	ALTERED	REV	DATE	ALTERED	ADDITIONAL INFORMATION
		CHECKED	01	01.08.12	M.K. Sonwane Checked	
			DIM.175,25,75 & 4xø6.5 ADDED. DRAWING REDRAWN & UPDATED.			STATUS OF DRAWING
						U
						DISTRIBUTION OF PRINTS
						LME(DV)-1      LMP(DV)-1      LMM(DV)-3

DIMNL. TOL:- AS PER CORP. STD. AA 062 11 04 GRADE OF ACCURACY 'A' UNLESS OTHERWISE STATED.



**NOTES:-**

1. ALL SHARP EDGES AND CORNERS TO BE ROUNDED OFF.
2. FINISH:- RAL 7043 OR EQUIVALENT COLOUR (DARK GREY) POWER COAT.

R083C433	REF. DRG. No.	001	mm	STEEL SHEET	001	AA1011711117	-			
			250	2Tk x 200		AA10111				
			UNIT OF QTY.		DESCRIPTION	ITEM No.	DRAWING No.	MATL. CODE	A	UNIT WEIGHT (kg)
		VAR-ANT 00	BASIC VARI-ANT	R.M UNIT QTY.				MATL. SPECN.	C	COMP GROUP
CARD TYPE-2					CARD TYPE-1					

SIGN & DATE			BHARAT HEAVY ELECTRICALS LTD. JHANSI						
	DEPT. LME	CODE 404		SCALE NTS	WEIGHT (kg.)	REF. TO ASSY. DRG. 2 719 36 05 000 IT. 011			

INVENTORY No.	TITLE	<b>VCD MTG. PLATE</b>				DRAWN	M.K.SONWANE	SIGN	Sd/-	DATE	06.07.10
						CHECKED	S.B.ARYA	SIGN	Sd/-	DATE	06.07.10
							APPROVED	DKC/GR	SIGN	Sd/-	DATE
	DIMENSIONS TO BE CONTROLLED WITHIN AS LIMITS SHOWN. MACHINING TOLERANCE +_0.25mm UNLESS OTHERWISE .SHOWN NON-MACHINING TOLERANCE +_.....				CARD CODE	DRAWING No. <b>4 719 36 05 006</b>				REV	01
						SHEET No	01	No. OF SHEET 01			

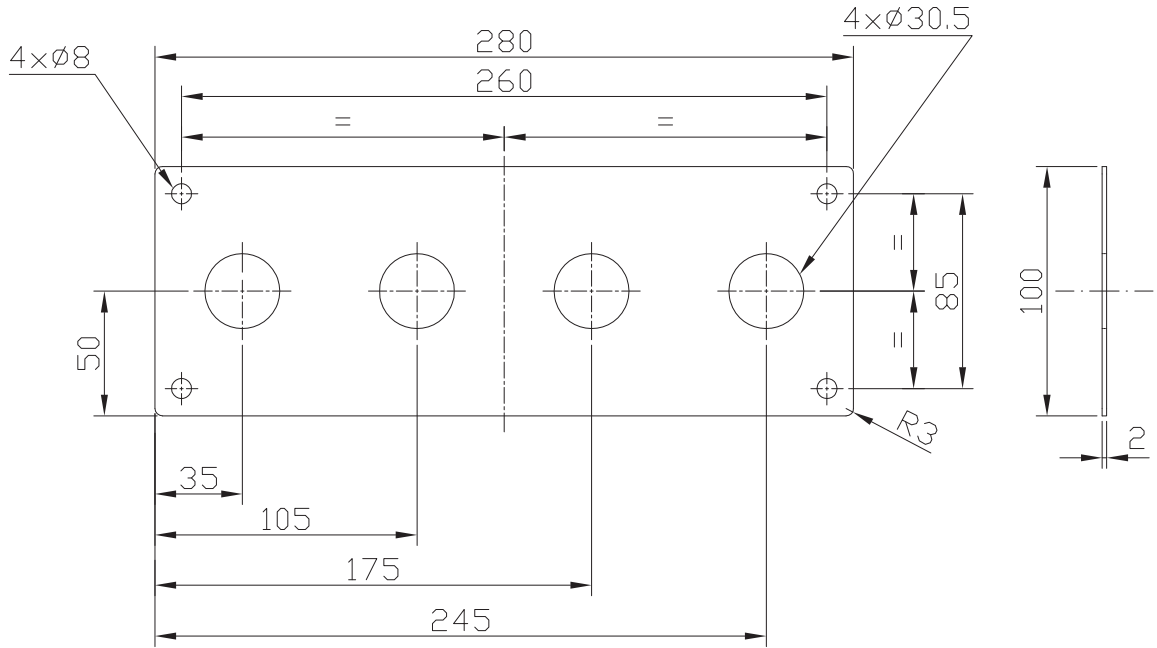
FIRST ANGLE PROJECTION

(ALL DIMENSIONS ARE IN mm)

THIS INFORMATION ON THE DOCUMENT IS THE PROPERTY OF BHARAT HEAVY ELECTRICALS LIMITED. IT MUST NOT BE USED DIRECTLY OR INDIRECTLY IN ANY WAY DETRIMENTAL TO THE INTEREST OF THE COMPANY.

REV	DATE	ALTERED	REV	DATE	ALTERED	ADDITIONAL INFORMATION	
		CHECKED			CHECKED		
						STATUS OF DRAWING	U
						DISTRIBUTION OF PRINTS	LME(DV)-1    LMP(DV)-1    LMM(DV)-3

DIMNL. TOL:- AS PER CORP. STD. AA 062 11 04 GRADE OF ACCURACY 'A' UNLESS OTHERWISE STATED.



NOTES:-

1. ALL SHARP EDGES AND CORNERS TO BE ROUNDED OFF.
2. FINISH:-DARK GREY COLOUR POWER COAT.

R083C421

001	mm	STEEL SHEET	001	AA1011711117		-
	280	2Txx100		AA10111		
VAR- IANT 00	BASIC VARI- ANT	R.M UNIT QTY.	DESCRIPTION	ITEM No.	MATL. CODE	UNIT WEIGHT (kg)
CARD TYPE-2			CARD TYPE-1			

SIGN & DATE



BHARAT HEAVY ELECTRICALS LTD.  
JHANSI

DEPT. LME	CODE 404		SCALE NTS	WEIGHT (kg.)	REF. TO ASSY. DRG. 2 719 36 05 000	IT. 012
--------------	-------------	--	--------------	--------------	---------------------------------------	---------

INVENTORY No.

TITLE **8-PUSH BUTTON SWITCHS  
MTG. PLATE**

DRAWN	NAME M.K.SONWANE	SIGN <i>M.K. Sonwane</i>	DATE 06.07.10
CHECKED	S.B.ARYA		06.07.10
APPROVED	DKC/GR		06.07.10

DIMENSIONS TO BE CONTROLLED WITHIN AS LIMITS SHOWN.  
MACHINING TOLERANCE +<sub>0</sub>.25mm UNLESS OTHERWISE .SHOWN  
NON-MACHINING TOLERANCE +<sub>-</sub> . . . . .

CARD  
CODE

DRAWING No.  
**4 719 36 05 007**

REV  
00

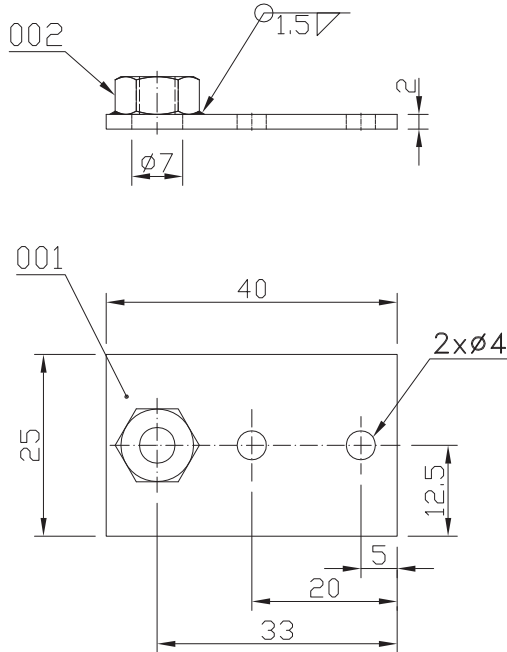
SHEET No 01

No. OF SHEET 01

THIS INFORMATION ON THE DOCUMENT IS THE PROPERTY OF BHARAT HEAVY ELECTRICALS LIMITED. IT MUST NOT BE USED DIRECTLY OR INDIRECTLY IN ANY WAY DETRIMENTAL TO THE INTEREST OF THE COMPANY.

REV	DATE	ALTERED	REV	DATE	ALTERED	ADDITIONAL INFORMATION	
		CHECKED			CHECKED		
						STATUS OF DRAWING	U
						DISTRIBUTION OF PRINTS	
						LME(DV)-1	LMP(DV)-1
						LMM(DV)-3	

DIMNL. TOL:- AS PER CORP. STD. AA 062 11 04 GRADE OF ACCURACY 'A' UNLESS OTHERWISE STATED.



NOTES:-

1. ALL SHARP EDGES AND CORNERS TO BE ROUNDED OFF.
2. FINISH:- NATURAL

R083C428

001			NUT HEX. M6 STEEL	002								
							A.I.S. I .GR.304					
001	mm		STEEL SHEET 2Tk x 25	001								
	40						A.I.S. I .GR.304					
		UNIT OF QTY.				ITEM No.	MATL. CODE	A	COMP GROUP	UNIT WEIGHT (kg)		
VAR-00	BASIC VARI-ANT	R.M UNIT QTY.	DESCRIPTION	ITEM No.	DRAWING No.	VARI-ANT	MATL. SPECN.	C		QTY.		

CARD TYPE-2

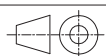
CARD TYPE-1

SIGN & DATE



BHARAT HEAVY ELECTRICALS LTD.  
JHANSI

DEPT. LME CODE 404



SCALE 1:1

WEIGHT (kg.) -

REF. TO ASSY. DRG. 2 719 36 05 000

IT. 014

INVENTORY No.

TITLE **OFFSET NUT PLATE**  
**SUB ASSY.(M6)**

DRAWN	NAME M.K.SONWANE	SIGN	DATE 05.07.10
CHECKED	S.B.ARYA		05.07.10
APPROVED	DKC/GR		05.07.10

DIMENSIONS TO BE CONTROLLED WITHIN AS LIMITS SHOWN.  
MACHINING TOLERANCE +\_0.25mm UNLESS OTHERWISE .SHOWN  
NON-MACHINING TOLERANCE +\_.....

CARD CODE

DRAWING No. **4 719 36 05 008**

REV 00

SHEET No 01

No. OF SHEET 01

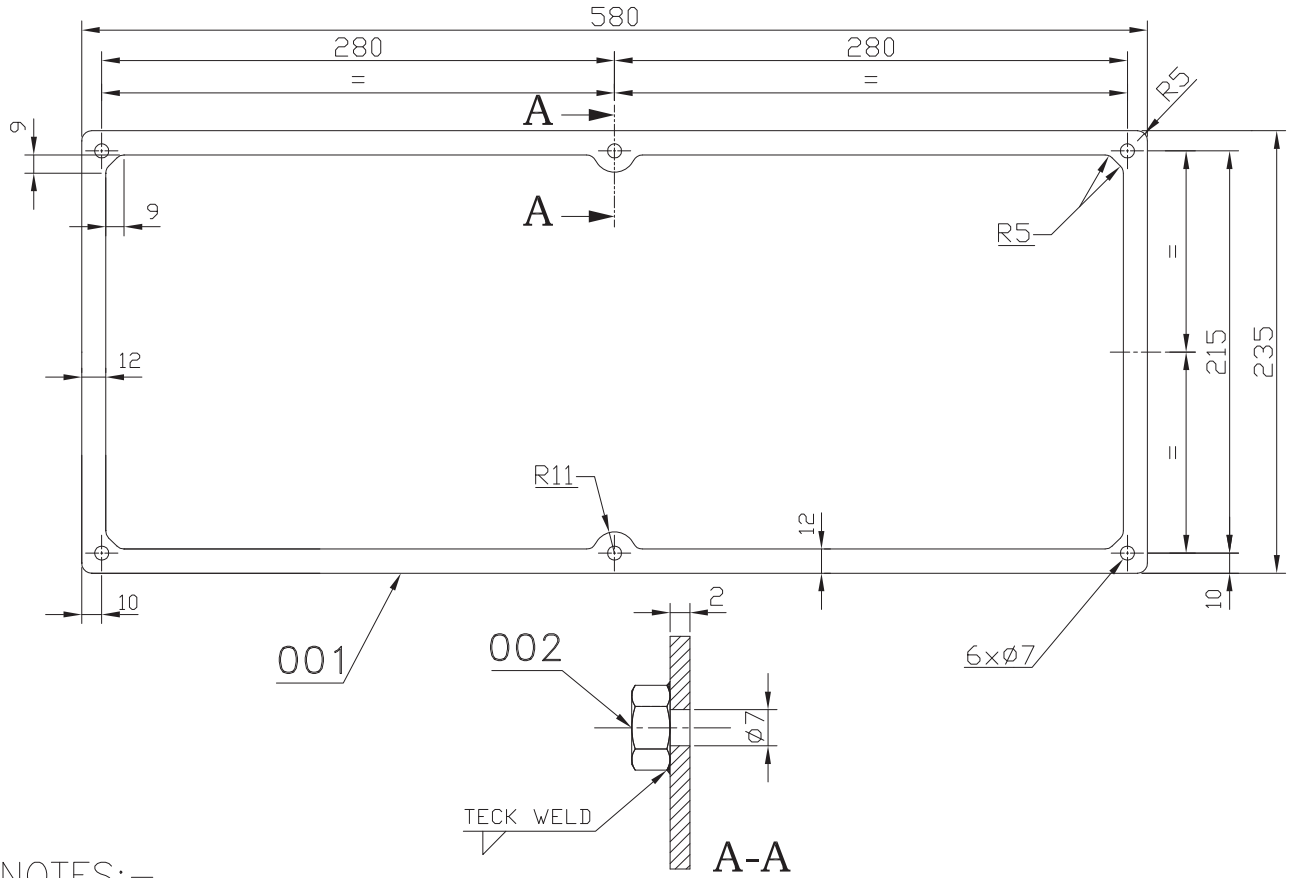
FIRST ANGLE PROJECTION

(ALL DIMENSIONS ARE IN mm)

THIS INFORMATION ON THE DOCUMENT IS THE PROPERTY OF BHARAT HEAVY ELECTRICALS LIMITED. IT MUST NOT BE USED DIRECTLY OR INDIRECTLY IN ANY WAY DETRIMENTAL TO THE INTEREST OF THE COMPANY.

REV	DATE	ALTERED	REV	DATE	ALTERED	ADDITIONAL INFORMATION		
		CHECKED			CHECKED			
						STATUS OF DRAWING	U	
						DISTRIBUTION OF PRINTS		
						LME(DV)-1	LMP(DV)-1	LMM(DV)-3

DIMNL. TOL:- AS PER CORP. STD. AA 062 11 04 GRADE OF ACCURACY 'A' UNLESS OTHERWISE STATED.



NOTES:-

1. ALL SHARP EDGES AND CORNERS TO BE ROUNDED OFF.
2. FINISH:-RAL 7043 OR EQUILENT COLOUR (DARK GREY) POWDER COAT.

R083C437	REF. DRG. No.	006		NUT HEX. HEAD M6 STEEL	002								
		001	mm	MOUNTING SHEET 2Tk x 235	001								
			610										
			UNIT OF QTY.	DESCRIPTION	ITEM No.	DRAWING No.	ITEM No.	MATL. CODE	A	COMP GROUP	UNIT WEIGHT (kg)		
	BASIC VARI-ANT	R.M UNIT QTY.				MATL. SPECN.	C		QTY.				
CARD TYPE-2					CARD TYPE-1								

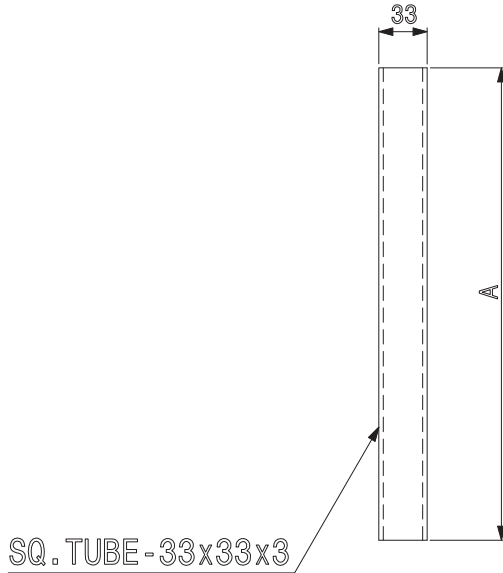
SIGN & DATE			BHARAT HEAVY ELECTRICALS LTD. JHANSI								
	DEPT. LME	CODE 404		SCALE NTS	WEIGHT (kg.) -	REF. TO ASSY. DRG. 2 719 36 05 000	IT.019				

INVENTORY No.	TITLE				DRAWN	NAME	SIGN	DATE
	<b>SA9-A9 BACK MOUNTING PLATE</b>				CHECKED	S.B.ARYA		05.07.10
					APPROVED	DKC/GR		05.07.10
DIMENSIONS TO BE CONTROLLED WITHIN AS LIMITS SHOWN. MACHINING TOLERANCE +0.25mm UNLESS OTHERWISE SHOWN. NON-MACHINING TOLERANCE ±.....				CARD CODE	DRAWING No. <b>4 719 36 05 009</b>			REV 00
				SHEET No 01	No. OF SHEET 01			

REV	DATE	ALTERED	REV	DATE	ALTERED	ADDITIONAL INFORMATION	
		CHECKED			CHECKED		
						STATUS OF DRAWING	U
						DISTRIBUTION OF PRINTS	LME(DV)-1    LMP(DV)-1    LMM(DV)-3

DIMNL. TOL:- AS PER CORP. STD. AA 062 11 04 GRADE OF ACCURACY 'A' UNLESS OTHERWISE STATED.

TYPE	A (LENGTH IN mm)	QTY
SQ.TUBE TYPE-1	700	
SQ.TUBE TYPE-2	650	4



NOTES:-

1. ALL SHARP EDGES AND CORNERS TO BE ROUNDED OFF.
2. FINISH:-NATURAL.

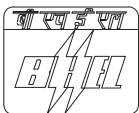
R083C409

REF. DRG. No.	mm	SQ. TUBE	001						
		3Tk.x33x33				IS:2062			
UNIT OF QTY.	DESCRIPTION	ITEM No.	DRAWING No.	ITEM No.	MATL. CODE	A	COMP GROUP	UNIT WEIGHT (kg)	
VARI-00	BASIC VARI-ANT	R.M UNIT QTY.		VARI-ANT	MATL. SPECN.	C		QTY.	

CARD TYPE-2

CARD TYPE-1

SIGN & DATE



BHARAT HEAVY ELECTRICALS LTD.  
JHANSI

DEPT. LME	CODE 404		SCALE NTS	WEIGHT (kg.) -	REF. TO ASSY. DRG. 1 719 36 05 000 IT. 004
-----------	----------	--	-----------	----------------	--------------------------------------------

INVENTORY No.

TITLE	DRAWN	NAME	SIGN	DATE
<b>DRIVER DESK HORIZ. SUPPORT-1</b>	M.K.SONWANE	<i>M.K. Sonwane</i>		05.07.10
	S.B.ARYA			05.07.10
	DKC/GR			05.07.10

DIMENSIONS TO BE CONTROLLED WITHIN AS LIMITS SHOWN.  
MACHINING TOLERANCE +\_0.25mm UNLESS OTHERWISE .SHOWN  
NON-MACHINING TOLERANCE +\_ . . . . .

CARD CODE

DRAWING No.	REV
<b>4 719 36 05 010</b>	00
SHEET No 01	No. OF SHEET 01

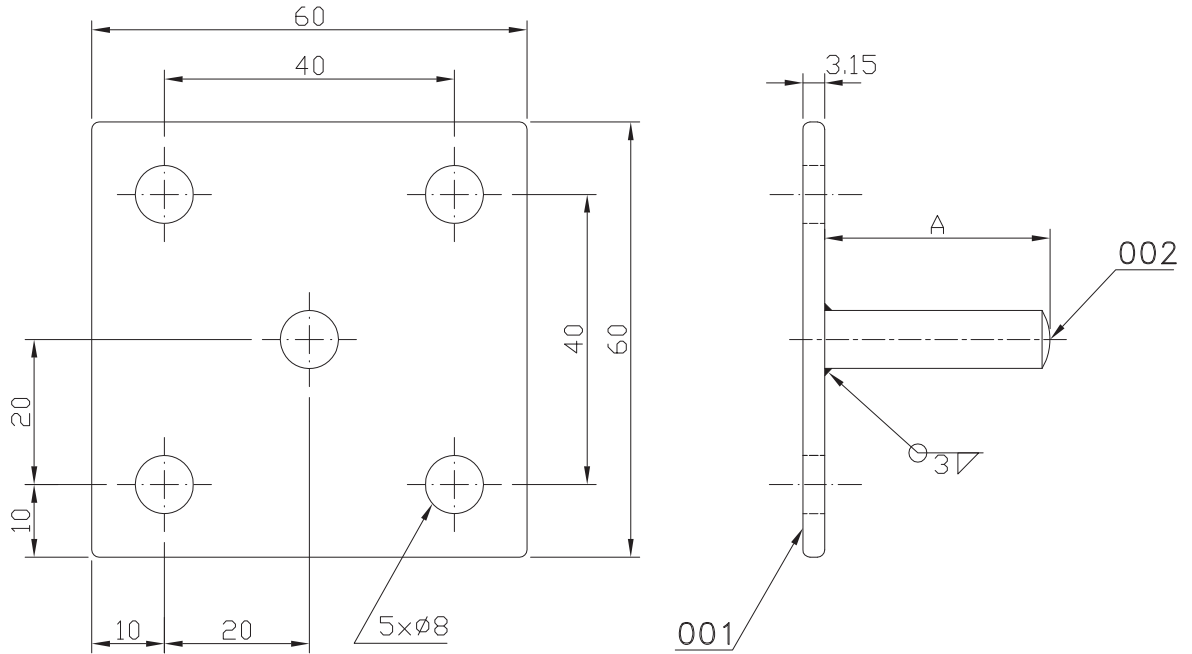
FIRST ANGLE PROJECTION

(ALL DIMENSIONS ARE IN mm)

THIS INFORMATION ON THE DOCUMENT IS THE PROPERTY OF BHARAT HEAVY ELECTRICALS LIMITED. IT MUST NOT BE USED DIRECTLY OR INDIRECTLY IN ANY WAY DETRIMENTAL TO THE INTEREST OF THE COMPANY.

REV	DATE	ALTERED	REV	DATE	ALTERED	ADDITIONAL INFORMATION	
		CHECKED			CHECKED		
						STATUS OF DRAWING	U
						DISTRIBUTION OF PRINTS	LME(DV)-1    LMP(DV)-1    LMM(DV)-3

DIMNL. TOL: - AS PER CORP. STD. AA 062 11 04 GRADE OF ACCURACY 'A' UNLESS OTHERWISE STATED.



NOTES: -

1. ALL SHARP EDGES AND CORNERS TO BE ROUNDED OFF.
2. FINISH: - NATURAL FINISH.

R083C403

REF. DRG. No.	001	mm	STUD STEEL M8	002									
		35					A.I.S.I.GR-304						
	001	60	STEEL SHEET 3.15x60	001			A.I.S.I.GR-304						
		UNIT OF QTY.	DESCRIPTION	ITEM No.	DRAWING No.	ITEM No.	MATL. CODE	A	COMP GROUP	UNIT WEIGHT (kg)			
VARI-ANT 00	BASIC VARI-ANT	R.M UNIT QTY.				VARI-ANT	MATL. SPECN.	C		QTY.			

CARD TYPE-2

CARD TYPE-1

SIGN & DATE



BHARAT HEAVY ELECTRICALS LTD.  
JHANSI

DEPT. LME	CODE 404		SCALE NTS	WEIGHT (kg.) -	REF. TO ASSY. DRG. -	IT.022
-----------	----------	--	-----------	----------------	----------------------	--------

INVENTORY No.

TITLE **OFF SET STUD PLATE**  
**SUB-ASSY(M8)**

DRAWN	NAME M.K.SONWANE	SIGN	DATE 05.07.10
CHECKED	S.B.ARYA		05.07.10
APPROVED	DKC/GR		05.07.10

DIMENSIONS TO BE CONTROLLED WITHIN AS LIMITS SHOWN.  
MACHINING TOLERANCE +\_0.25mm UNLESS OTHERWISE SHOWN  
NON-MACHINING TOLERANCE +\_.....

CARD CODE

DRAWING No.  
**4 719 36 05 011**

REV  
00

SHEET No 01

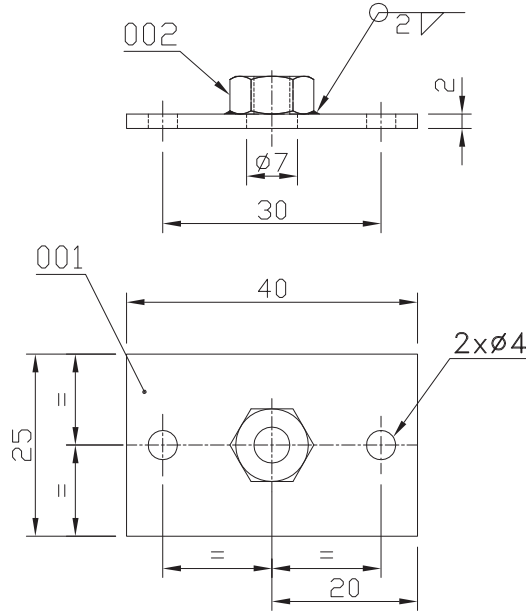
No. OF SHEET 01

SIZE A4

THIS INFORMATION ON THE DOCUMENT IS THE PROPERTY OF BHARAT HEAVY ELECTRICALS LIMITED. IT MUST NOT BE USED DIRECTLY OR INDIRECTLY IN ANY WAY DETRIMENTAL TO THE INTEREST OF THE COMPANY.

REV	DATE	ALTERED	REV	DATE	ALTERED	ADDITIONAL INFORMATION	
		CHECKED			CHECKED		
						STATUS OF DRAWING	U
						DISTRIBUTION OF PRINTS	
						LME(DV)-1	LMP(DV)-1 LMM(DV)-3

DIMNL. TOL:- AS PER CORP. STD. AA 062 11 04 GRADE OF ACCURACY 'A' UNLESS OTHERWISE STATED.



NOTES:-

1. ALL SHARP EDGES AND CORNERS TO BE ROUNDED OFF.
2. FINISH:- NATURAL

REF. DRG. No.	001		NUT HEX. M8 STEEL	002			A.I.S. I .GR.304				
	001	mm	STEEL SHEET 2Tk x 25	001			A.I.S. I .GR.304				
		UNIT OF QTY.									UNIT WEIGHT (kg)
		R.M UNIT QTY.	DESCRIPTION	ITEM No.	DRAWING No.	ITEM No.	MATL. CODE	A	COMP GROUP		QTY.
VAR- IANT 00	BASIC VARI- ANT					VARI- ANT	MATL. SPECN.	C			

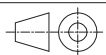
CARD TYPE-2

CARD TYPE-1



BHARAT HEAVY ELECTRICALS LTD.  
JHANSI

DEPT. LME CODE 404



SCALE 1:1

WEIGHT (kg.) -

REF. TO ASSY. DRG. 27193505000

IT. 021

TITLE

**OFFSET NUT PLATE**  
**SUB ASSY.(M8)**

DRAWN	NAME M.K.SONWANE	SIGN	DATE 05.07.10
CHECKED	S.B.ARYA		05.07.10
APPROVED	DKC/GR		05.07.10

DIMENSIONS TO BE CONTROLLED WITHIN AS LIMITS SHOWN.  
MACHINING TOLERANCE +\_0.25mm UNLESS OTHERWISE .SHOWN  
NON-MACHINING TOLERANCE +\_ . . . . .

CARD CODE

DRAWING No.  
**4 719 36 05 012**

REV  
00

SHEET No 01

No. OF SHEET 01

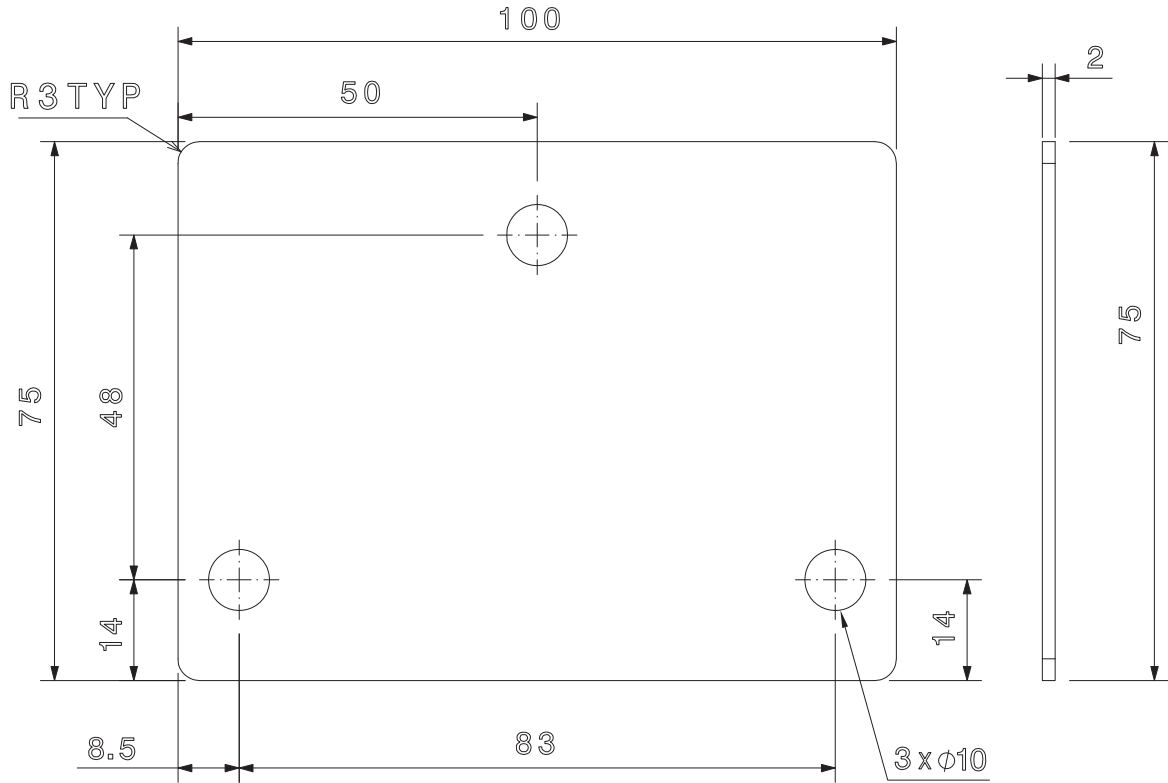
FIRST ANGLE PROJECTION

(ALL DIMENSIONS ARE IN mm)

THIS INFORMATION ON THE DOCUMENT IS THE PROPERTY OF BHARAT HEAVY ELECTRICALS LIMITED. IT MUST NOT BE USED DIRECTLY OR INDIRECTLY IN ANY WAY DETRIMENTAL TO THE INTEREST OF THE COMPANY.

REV	DATE	ALTERED	REV	DATE	ALTERED	ADDITIONAL INFORMATION		
		CHECKED			CHECKED			
						STATUS OF DRAWING	U	
						DISTRIBUTION OF PRINTS		
						LME(DV)-1	LMP(DV)-1	LMM(DV)-3

DIMNL. TOL:- AS PER CORP. STD. AA 062 11 04 GRADE OF ACCURACY 'A' UNLESS OTHERWISE STATED.



**NOTES:-**

1. ALL SHARP EDGES AND CORNERS TO BE ROUNDED OFF.
2. FINISH:- NATURAL

**R083C432**

REF. DRG. No.

VAR- IANT 00	BASIC VARI- ANT	mm 100	STEEL SHEET 2Tk.x75	001		AA1011711117 AA10111				
		UNIT OF QTY.	DESCRIPTION	ITEM No.	DRAWING No.	ITEM No.	MATL. CODE	A	COMP GROUP	UNIT WEIGHT (kg)
		R.M UNIT QTY.				VARI- ANT	MATL. SPECN.	C		QTY.

CARD TYPE-2

CARD TYPE-1

SIGN & DATE



**BHARAT HEAVY ELECTRICALS LTD.  
JHANSI**

DEPT. LME	CODE 404		SCALE NTS	WEIGHT (kg.) -	REF. TO ASSY. DRG. 3 719 36 05 006	IT.003
--------------	-------------	--	--------------	-------------------	---------------------------------------	--------

INVENTORY No.

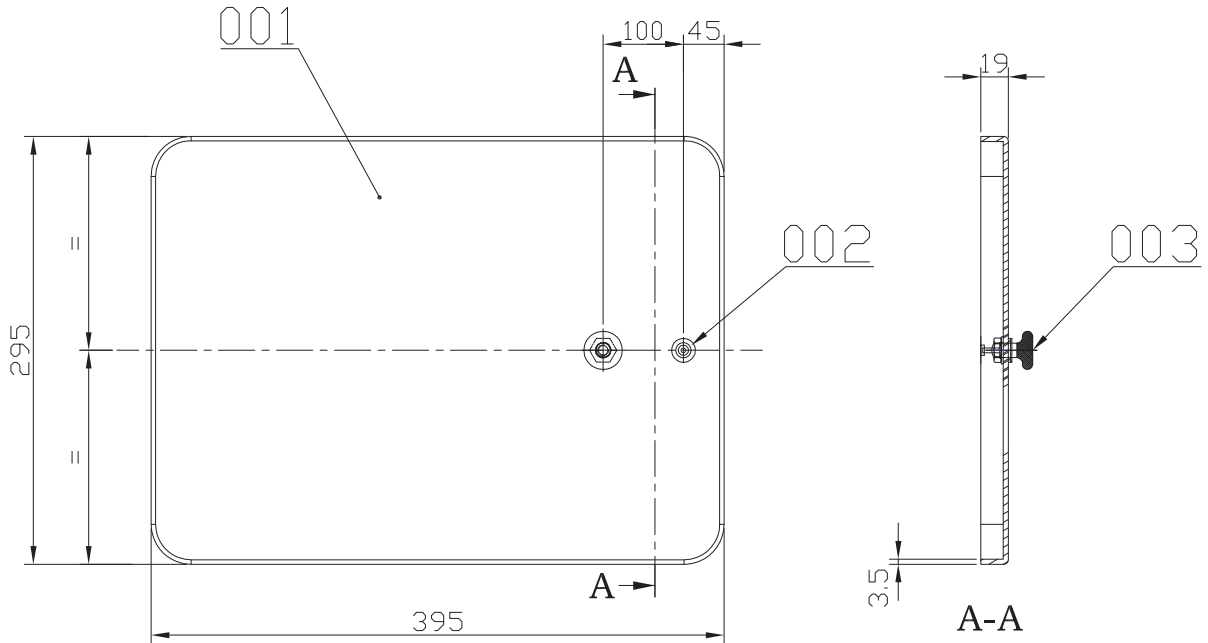
TITLE <b>PEDAL SWITCH BACK MTG. PLATE</b>	DRAWN	NAME M.K.SONWANE	SIGN <i>M.K. Sonwane</i>	DATE 05.07.10
	CHECKED	S.B.ARYA		05.07.10
	APPROVED	DKC/GR		05.07.10

DIMENSIONS TO BE CONTROLLED WITHIN AS LIMITS SHOWN. MACHINING TOLERANCE + 0.25mm UNLESS OTHERWISE SHOWN NON-MACHINING TOLERANCE +_ . . . . .	CARD CODE	DRAWING No. <b>4 719 36 05 013</b>	REV 00
SHEET No 01		No. OF SHEET 01	

THIS INFORMATION ON THE DOCUMENT IS THE PROPERTY OF BHARAT HEAVY ELECTRICALS LIMITED. IT MUST NOT BE USED DIRECTLY OR INDIRECTLY IN ANY WAY DETRIMENTAL TO THE INTEREST OF THE COMPANY.

REV	DATE	ALTERED	REV	DATE	ALTERED	ADDITIONAL INFORMATION	
		CHECKED			CHECKED		
						STATUS OF DRAWING	U
						DISTRIBUTION OF PRINTS	LME(DV)-1    LMP(DV)-1    LMM(DV)-3

DIMNL. TOL:- AS PER CORP. STD. AA 062 11 04 GRADE OF ACCURACY 'A' UNLESS OTHERWISE STATED.



NOTES:-

1. ALL SHARP EDGES AND CORNERS TO BE ROUNDED OFF.
2. FINISH:- NATURAL

001			NOB	003	B.OT						
001			CAM LOCK	002	B.OT		STEEL				
001			HATCH PANEL-1	001	4719 3605 018	001					
		UNIT OF QTY.	DESCRIPTION	ITEM No.	DRAWING No.	ITEM No.	MATL. CODE	A	COMP GROUP	UNIT WEIGHT (kg)	
VARI-ANT	BASIC VARI-ANT	R.M UNIT QTY.				VARI-ANT	MATL. SPECN.	C		QTY.	

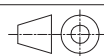
CARD TYPE-2

CARD TYPE-1



BHARAT HEAVY ELECTRICALS LTD.  
JHANSI

DEPT. LME    CODE 404



SCALE NTS

WEIGHT (kg.) -

REF. TO ASSY. DRG. 1 719 36 05 000

IT.005

TITLE

**HATCH PANEL ASSY-1**

DRAWN	T.R.DHADSE	SIGN	DATE
CHECKED	S.B.ARYA		05.07.10
APPROVED	DKC/GR		05.07.10

DIMENSIONS TO BE CONTROLLED WITHIN AS LIMITS SHOWN.  
MACHINING TOLERANCE +\_0.25mm UNLESS OTHERWISE .SHOWN  
NON-MACHINING TOLERANCE +\_ . . . . .

CARD CODE

DRAWING No. **4 719 36 05 014**

REV 00

SHEET No 01

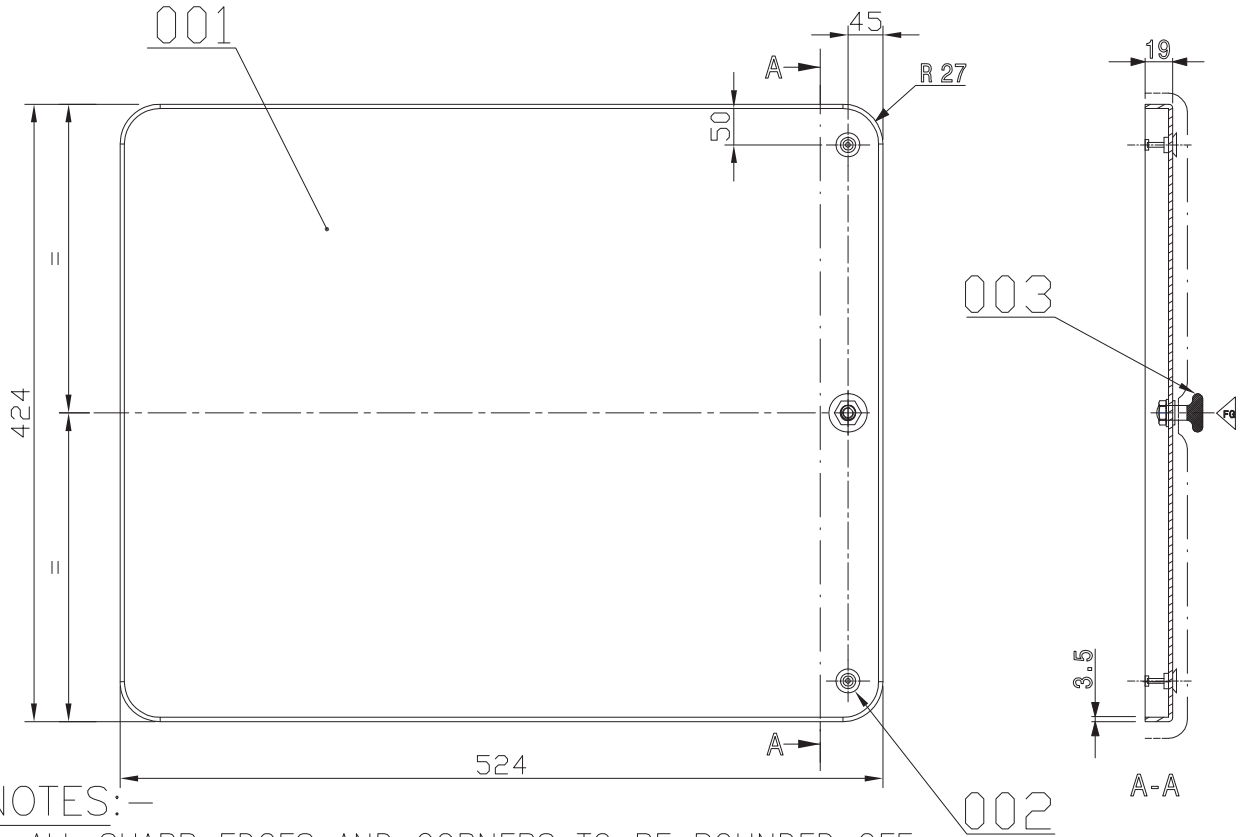
No. OF SHEET 01

FIRST ANGLE PROJECTION

(ALL DIMENSIONS ARE IN mm)

REV	DATE	ALTERED	REV	DATE	ALTERED	ADDITIONAL INFORMATION	
		CHECKED			CHECKED		
						STATUS OF DRAWING	U
						DISTRIBUTION OF PRINTS	
						LME(DV)-1	LMP(DV)-1 LMM(DV)-3

DIMNL. TOL:- AS PER CORP. STD. AA 062 11 04 GRADE OF ACCURACY 'A' UNLESS OTHERWISE STATED.



NOTES:-

1. ALL SHARP EDGES AND CORNERS TO BE ROUNDED OFF.
2. FINISH:- NATURAL

VAR- IANT 00	BASIC VARI- ANT	R.M UNIT QTY.	DESCRIPTION	ITEM No.	DRAWING No.	ITEM No.	MATL. CODE	A	COMP GROUP	UNIT WEIGHT (kg)
UNIT OF QTY.										QTY.
			001	003	B.OT					
			002	002	B.OT		STEEL			
			001	001	4719 3605 019	001				

CARD TYPE-2

CARD TYPE-1



BHARAT HEAVY ELECTRICALS LTD.  
JHANSI

DEPT. LME	CODE 404		SCALE NTS	WEIGHT (kg.) -	REF. TO ASSY. DRG. 1 719 36 05 000	IT.006
--------------	-------------	--	--------------	-------------------	---------------------------------------	--------

TITLE

**HATCH PANEL ASSY.-2**

DRAWN	NAME T.R.DHADSE	SIGN	DATE 05.07.10
CHECKED	S.B.ARYA		05.07.10
APPROVED	DKC/GR		05.07.10

DIMENSIONS TO BE CONTROLLED WITHIN AS LIMITS SHOWN.  
MACHINING TOLERANCE +\_0.25mm UNLESS OTHERWISE .SHOWN  
NON-MACHINING TOLERANCE +\_.....

CARD  
CODE

DRAWING No.  
**4 719 36 05 015**

REV  
00

SHEET No 01

No. OF SHEET 01

SIZE A4

THIS INFORMATION ON THE DOCUMENT IS THE PROPERTY OF BHARAT HEAVY ELECTRICALS LIMITED. IT MUST NOT BE USED DIRECTLY OR INDIRECTLY IN ANY WAY DETRIMENTAL TO THE INTEREST OF THE COMPANY.

R083F214

REF. DRG. No.

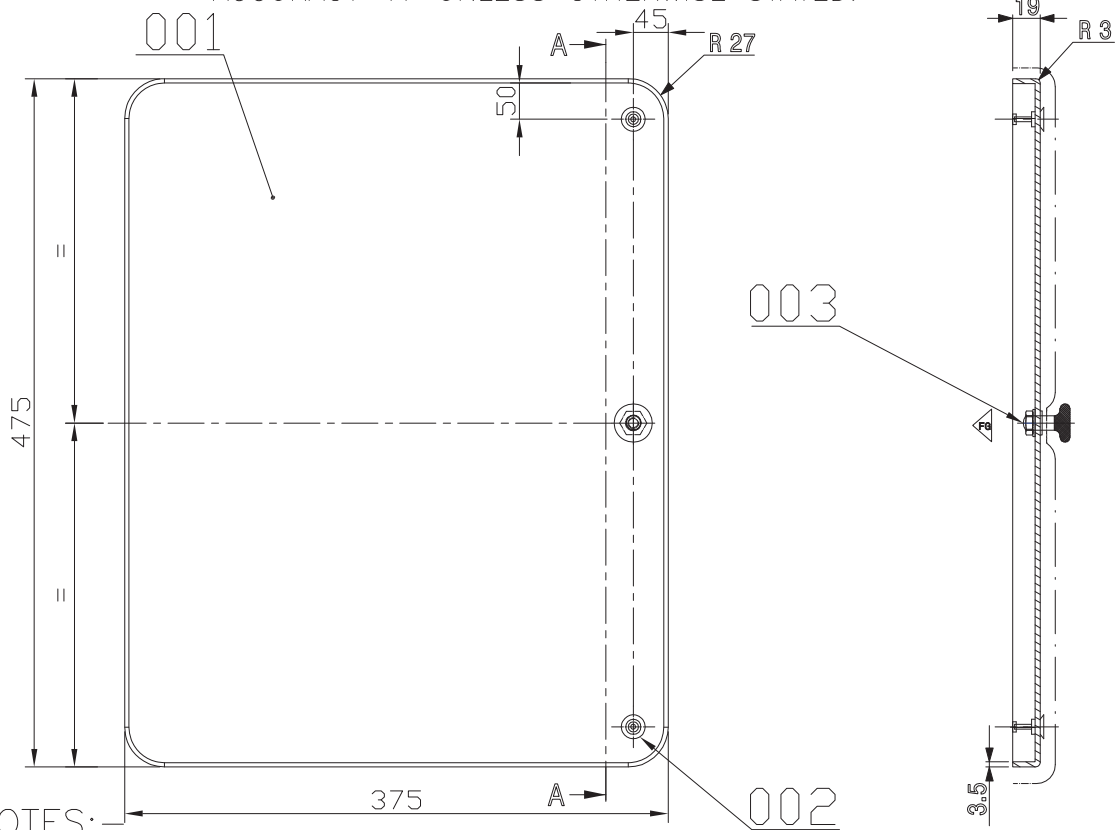
SIGN & DATE

INVENTORY No.

THIS INFORMATION ON THE DOCUMENT IS THE PROPERTY OF BHARAT HEAVY ELECTRICALS LIMITED. IT MUST NOT BE USED DIRECTLY OR INDIRECTLY IN ANY WAY DETRIMENTAL TO THE INTEREST OF THE COMPANY.

REV	DATE	ALTERED	REV	DATE	ALTERED	ADDITIONAL INFORMATION		
		CHECKED			CHECKED			
						STATUS OF DRAWING	U	
						DISTRIBUTION OF PRINTS		
						LME(DV)-1	LMP(DV)-1	LMM(DV)-3

**DIMNL. TOL:—AS PER CORP. STD. AA 062 11 04 GRADE OF ACCURACY 'A' UNLESS OTHERWISE STATED.**



**NOTES:**

1. ALL SHARP EDGES AND CORNERS TO BE ROUNDED OFF.
2. PANELS WILL BE TRIMMED AS PER REQUIREMENT WHILE ASSY.
3. FINISH:— NATURAL

001		KNOB	003	B.OT						
002		CAM LOCK	002	B.OT		STEEL				
001		HATCH PANEL-3	001	4719 3605 020	001					
		UNIT OF QTY.								
		DESCRIPTION	ITEM No.	DRAWING No.	ITEM No.	MATL. CODE	A	COMP GROUP	UNIT WEIGHT (kg)	
		R.M UNIT QTY.			VARI-ANT	MATL. SPECN.	C		QTY.	

CARD TYPE-2

CARD TYPE-1



**BHARAT HEAVY ELECTRICALS LTD.**  
**JHANSI**

DEPT. LME CODE 404



SCALE NTS

WEIGHT (kg.) -

REF. TO ASSY. DRG. 1 719 36 05 000

IT.007

TITLE

**HATCH PANEL ASSY.-3**

DRAWN	T.R.DHADSE	SIGN	DATE
CHECKED	S.B.ARYA		05.07.10
APPROVED	DKC/GR		05.07.10

DIMENSIONS TO BE CONTROLLED WITHIN AS LIMITS SHOWN.  
MACHINING TOLERANCE +\_0.25mm UNLESS OTHERWISE .SHOWN  
NON-MACHINING TOLERANCE +\_ . . . . .

CARD CODE

DRAWING No. **4 719 36 05 016**

REV 00

SHEET No 01

No. OF SHEET 01

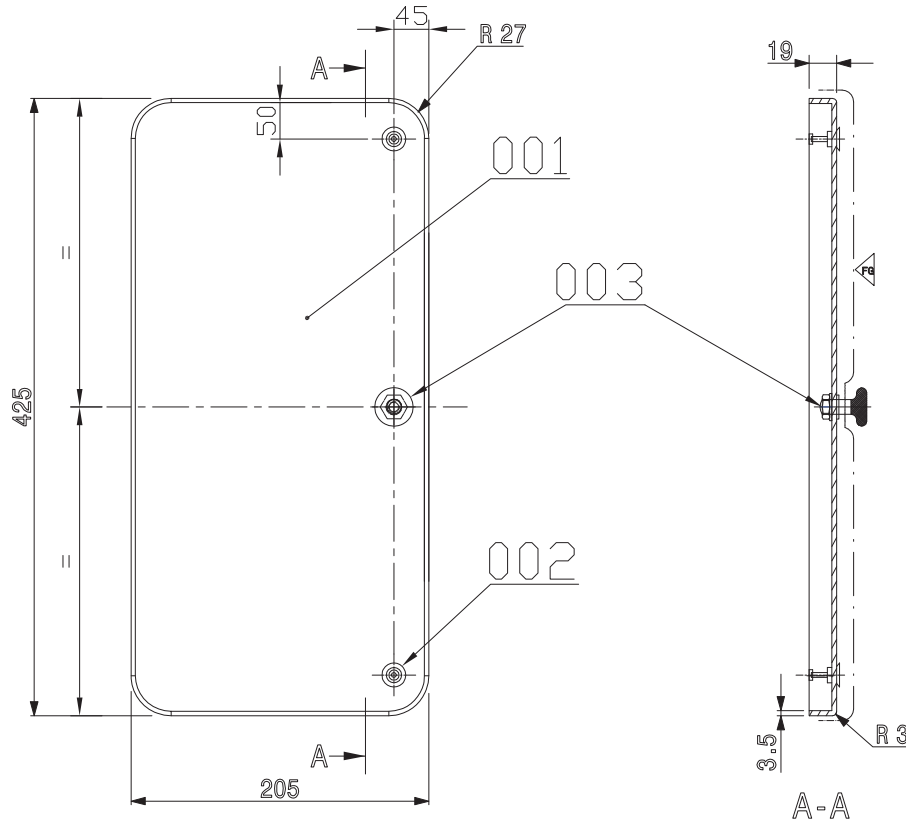
FIRST ANGLE PROJECTION

(ALL DIMENSIONS ARE IN mm)

THIS INFORMATION ON THE DOCUMENT IS THE PROPERTY OF BHARAT HEAVY ELECTRICALS LIMITED. IT MUST NOT BE USED DIRECTLY OR INDIRECTLY IN ANY WAY DETRIMENTAL TO THE INTEREST OF THE COMPANY.

REV	DATE	ALTERED	REV	DATE	ALTERED	ADDITIONAL INFORMATION	
		CHECKED			CHECKED		
						STATUS OF DRAWING	U
						DISTRIBUTION OF PRINTS	LME(DV)-1    LMP(DV)-1    LMM(DV)-3

DIMNL. TOL:- AS PER CORP. STD. AA 062 11 04 GRADE OF ACCURACY 'A' UNLESS OTHERWISE STATED.



NOTES:-

1. ALL SHARP EDGES AND CORNERS TO BE ROUNDED OFF.
2. FINISH:- NATURAL

001			003	B.OT					
002			002	B.OT		STEEL			
001	mm		001	4719 3605 021	001	FRP		-	
		UNIT OF QTY.					A		UNIT WEIGHT (kg)
		DESCRIPTION	ITEM No.	DRAWING No.	ITEM No.	MATL. CODE	C	COMP GROUP	QTY.
VAR-ANT	BASIC VARI-ANT	R.M UNIT QTY.			VARI-ANT	MATL. SPECN.			

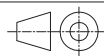
CARD TYPE-2

CARD TYPE-1



BHARAT HEAVY ELECTRICALS LTD.  
JHANSI

DEPT. LME    CODE 404



SCALE NTS

WEIGHT (kg.) -

REF. TO ASSY. DRG. 1 719 36 05 000

IT.008

TITLE

**HATCH PANEL ASSY.- 4**

DRAWN	NAME T.R.DHADSE	SIGN	DATE 05.07.10
CHECKED	S.B.ARYA		05.07.10
APPROVED	DKC/GR		05.07.10

DIMENSIONS TO BE CONTROLLED WITHIN AS LIMITS SHOWN.  
MACHINING TOLERANCE +\_0.25mm UNLESS OTHERWISE .SHOWN  
NON-MACHINING TOLERANCE +\_ . . . . .

CARD CODE

DRAWING No. **4 719 36 05 017**

REV 00

SHEET No 01

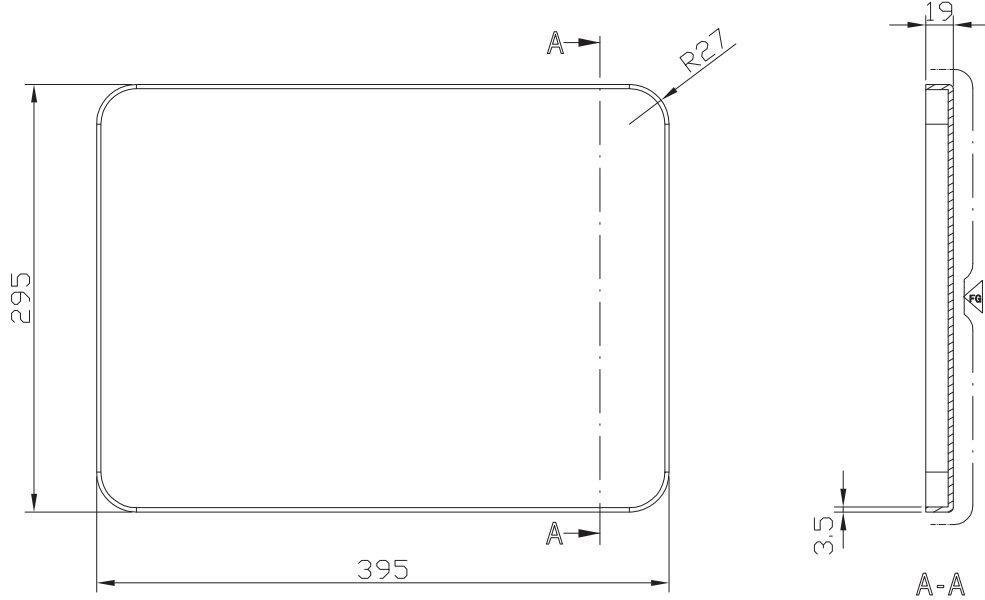
No. OF SHEET 01

SIZE A4

THIS INFORMATION ON THE DOCUMENT IS THE PROPERTY OF BHARAT HEAVY ELECTRICALS LIMITED. IT MUST NOT BE USED DIRECTLY OR INDIRECTLY IN ANY WAY DETRIMENTAL TO THE INTEREST OF THE COMPANY.

REV	DATE	ALTERED	REV	DATE	ALTERED	ADDITIONAL INFORMATION
		CHECKED			CHECKED	
						STATUS OF DRAWING
						U
						DISTRIBUTION OF PRINTS
		LME(DV)-1		LMP(DV)-1		LMM(DV)-3

DIMNL. TOL:- AS PER CORP. STD. AA 062 11 04 GRADE OF ACCURACY 'A' UNLESS OTHERWISE STATED.



NOTES:-

1. ALL SHARP EDGES AND CORNERS TO BE ROUNDED OFF.
2. FRP MATERIAL TO RDSO SPECIFICATION NO.RDSO/2008/EL/SPEL/0058 (REV.-0) MAR,2008
3. FINISH:- NATURAL

R083F213  
REF. DRG. No.

001	mm	HATCH PANEL-1	001	SEE NOTE
UNIT OF QTY.	DESCRIPTION	ITEM No.	DRAWING No.	ITEM No.
MATL. CODE	MATL. SPECN.	COMP GROUP	UNIT WEIGHT (kg)	QTY.
CARD TYPE-2		CARD TYPE-1		

SIGN & DATE



BHARAT HEAVY ELECTRICALS LTD.  
JHANSI

DEPT. LME	CODE 404	SCALE NTS	WEIGHT (kg.) -	REF. TO ASSY. DRG. 4 719 36 05 014	IT.001
-----------	----------	-----------	----------------	------------------------------------	--------

INVENTORY No.

TITLE

HATCH PANEL-1

DRAWN	T.R.DHADSE	SIGN	DATE 05.07.10
CHECKED	S.B.ARYA		05.07.10
APPROVED	DKC/GR		05.07.10

DIMENSIONS TO BE CONTROLLED WITHIN AS LIMITS SHOWN.  
MACHINING TOLERANCE +\_0.25mm UNLESS OTHERWISE .SHOWN  
NON-MACHINING TOLERANCE +\_ . . . . .

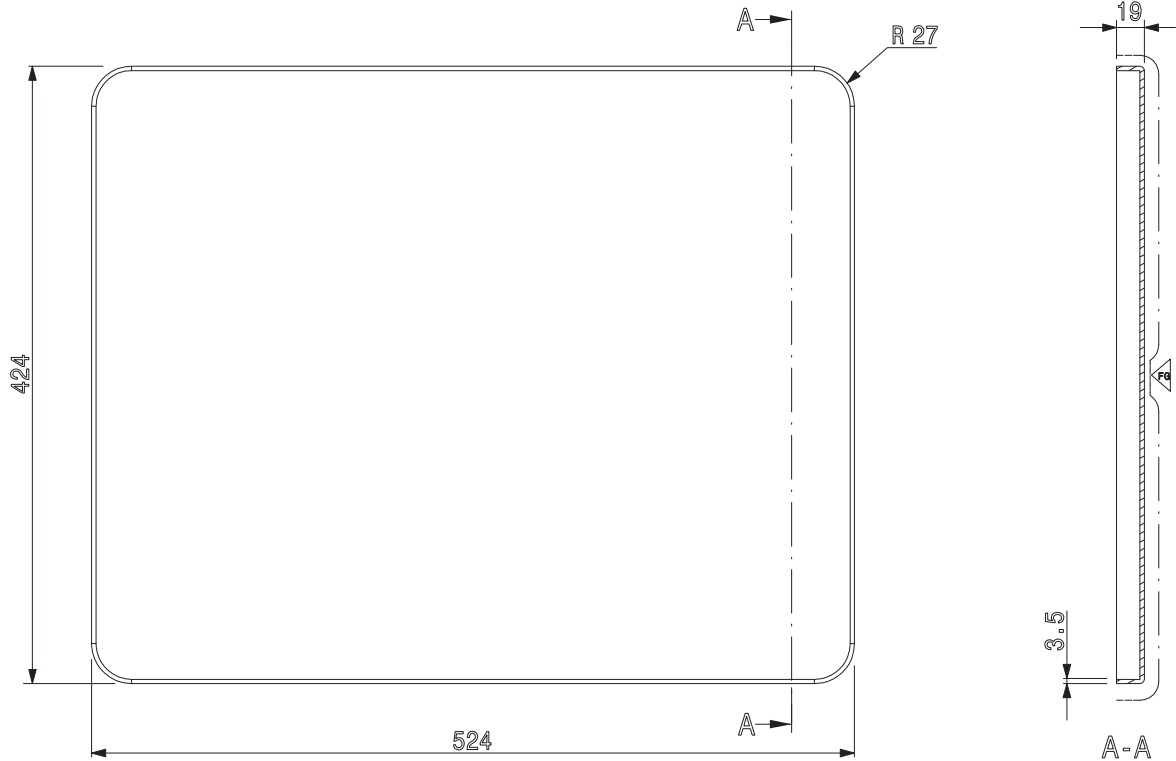
CARD CODE

DRAWING No.	REV
4 719 36 05 018	00
SHEET No 01	No. OF SHEET 01

THIS INFORMATION ON THE DOCUMENT IS THE PROPERTY OF BHARAT HEAVY ELECTRICALS LIMITED. IT MUST NOT BE USED DIRECTLY OR INDIRECTLY IN ANY WAY DETRIMENTAL TO THE INTEREST OF THE COMPANY.

REV	DATE	ALTERED	REV	DATE	ALTERED	ADDITIONAL INFORMATION
		CHECKED			CHECKED	
						STATUS OF DRAWING
						U
						DISTRIBUTION OF PRINTS
		LME(DV)-1			LMP(DV)-1	LMM(DV)-3

DIMNL. TOL:- AS PER CORP. STD. AA 062 11 04 GRADE OF ACCURACY 'A' UNLESS OTHERWISE STATED.



NOTES:-

1. ALL SHARP EDGES AND CORNERS TO BE ROUNDED OFF.
2. FRP MATERIAL TO RDSO SPECIFICATION NO.RDSO/2008/EL/SPEL/0058 (REV.-0) MAR,2008
3. FINISH:- NATURAL

R083F214 REF. DRG. No.	001		HATCH PANEL-2	001		SEE NOTE					
	VAR- IANT 00	BASIC VARI- ANT	R.M UNIT QTY.	DESCRIPTION	ITEM No.	DRAWING No.	ITEM No.	MATL. CODE	A	COMP GROUP	UNIT WEIGHT (kg)
									C		QTY.
CARD TYPE-2				CARD TYPE-1							

**SIGN & DATE**



# BHARAT HEAVY ELECTRICALS LTD.

## JHANSI

DEPT. LME	CODE 404		SCALE NTS	WEIGHT (kg.) -	REF. TO ASSY. DRG. 4 719 35 05 015	IT.001		
INVENTORY No.	TITLE <b><u>HATCH PANEL -2</u></b>				DRAWN	NAME T.R.DHADSE	SIGN	DATE 05.07.10
					CHECKED	S.B.ARYA		05.07.10
					APPROVED	DKC/GR		05.07.10

DIMENSIONS TO BE CONTROLLED WITHIN AS LIMITS SHOWN. MACHINING TOLERANCE +_0.25mm UNLESS OTHERWISE .SHOWN NON-MACHINING TOLERANCE +_.....	CARD CODE	DRAWING No. <b>4 719 36 05 019</b>	REV 00
		SHEET No 01	No. OF SHEET 01

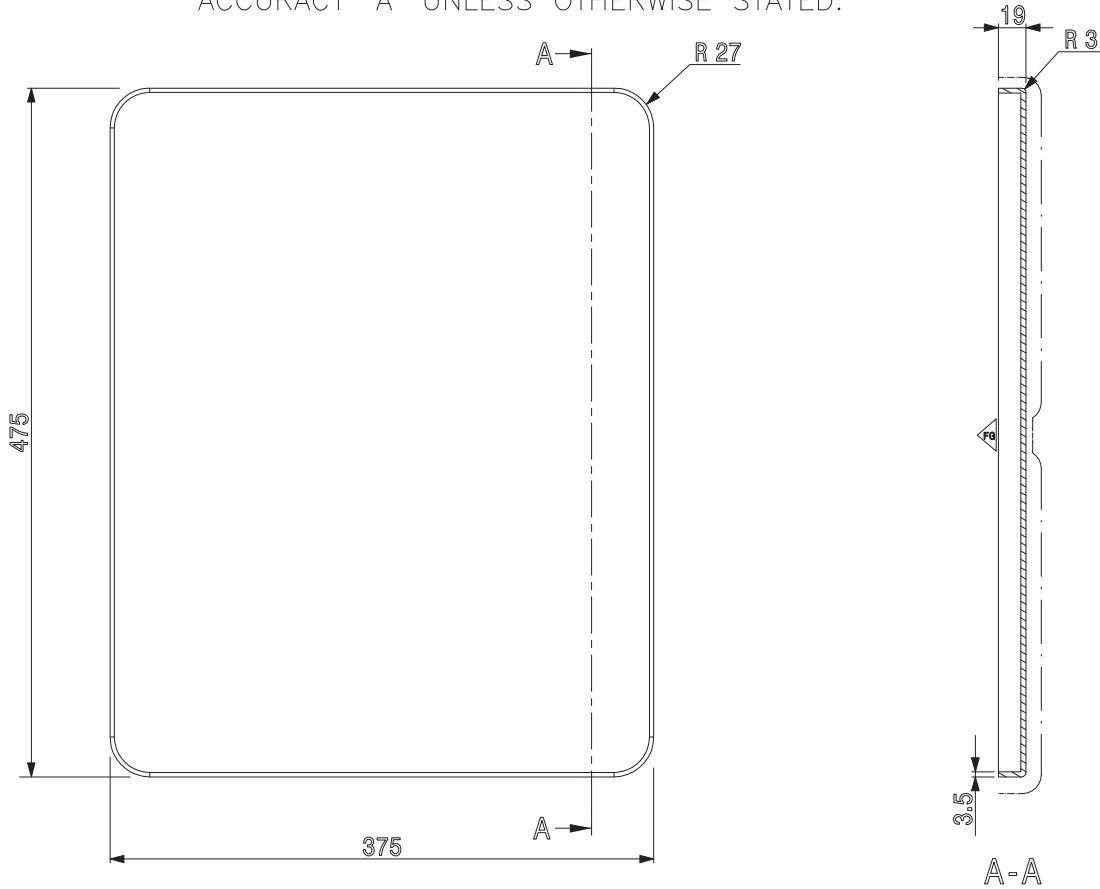
FIRST ANGLE PROJECTION

(ALL DIMENSIONS ARE IN mm)

THIS INFORMATION ON THE DOCUMENT IS THE PROPERTY OF BHARAT HEAVY ELECTRICALS LIMITED. IT MUST NOT BE USED DIRECTLY OR INDIRECTLY IN ANY WAY DETRIMENTAL TO THE INTEREST OF THE COMPANY.

REV	DATE	ALTERED	REV	DATE	ALTERED	ADDITIONAL INFORMATION	
		CHECKED			CHECKED		
						STATUS OF DRAWING	U
						DISTRIBUTION OF PRINTS	
						LME(DV)-1	LMP(DV)-1
							LMM(DV)-3

DIMNL. TOL: -AS PER CORP. STD. AA 062 11 04 GRADE OF ACCURACY 'A' UNLESS OTHERWISE STATED.



NOTES: -

1. ALL SHARP EDGES AND CORNERS TO BE ROUNDED OFF.
2. PANELS WILL BE TRIMMED AS PER REQUIRMENT WHILE ASSY.
3. FRP MATERIAL TO RDSO SPECIFICATION NO.RDSO/2008/EL/SPEL/0058 (REV.-0) MAR,2008
4. FINISH: - NATURAL

R083F215 REF. DRG. No.

001			HATCH PANEL-3	001			SEE NOTE			-
VAR- IANT 00	BASIC VARI- ANT	R.M UNIT QTY.	DESCRIPTION	ITEM No.	DRAWING No.	ITEM No.	MATL. CODE	A	COMP GROUP	UNIT WEIGHT (kg)
						VARI- ANT	MATL. SPECN.	C		QTY.

CARD TYPE-2

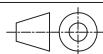
CARD TYPE-1

SIGN & DATE



BHARAT HEAVY ELECTRICALS LTD.  
JHANSI

DEPT. LME CODE 404



SCALE NTS

WEIGHT (kg.) -

REF. TO ASSY. DRG. 4 719 35 05 016 IT.001

INVENTORY No.

TITLE HATCH PANEL - 3

DRAWN	NAME T.R.DHADSE	SIGN	DATE 05.07.10
CHECKED	S.B.ARYA		05.07.10
APPROVED	DKC/GR		05.07.10

DIMENSIONS TO BE CONTROLLED WITHIN AS LIMITS SHOWN.  
MACHINING TOLERANCE + 0.25mm UNLESS OTHERWISE .SHOWN  
NON-MACHINING TOLERANCE +\_ . . . . .

CARD CODE

DRAWING No. 4 719 36 05 020

REV 00

SHEET No 01

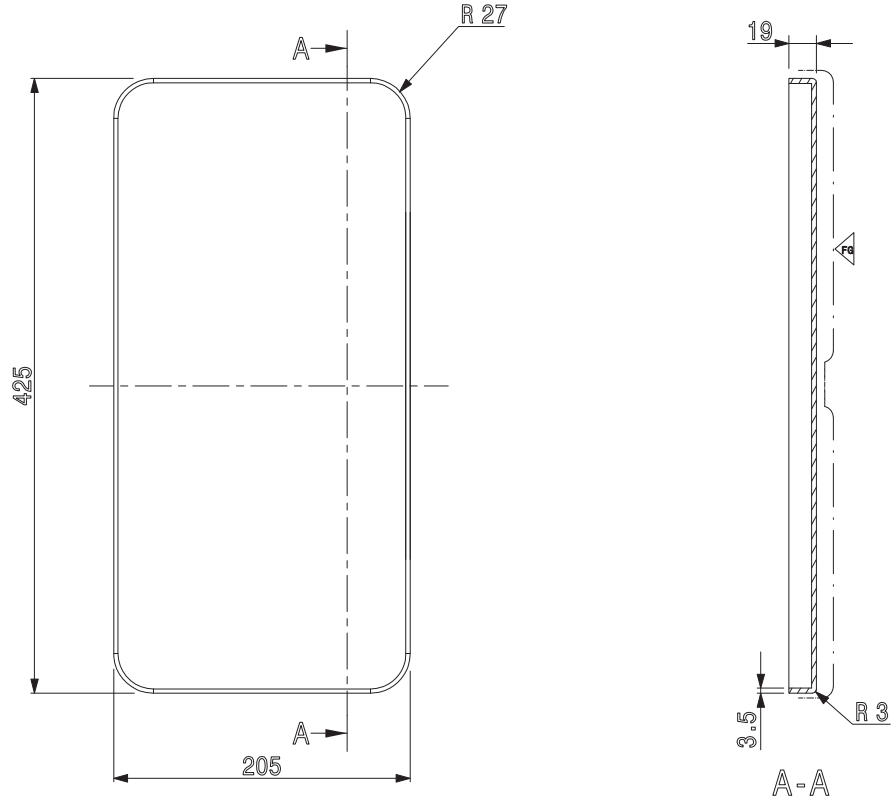
No. OF SHEET 01

SIZE A4

THIS INFORMATION ON THE DOCUMENT IS THE PROPERTY OF BHARAT HEAVY ELECTRICALS LIMITED. IT MUST NOT BE USED DIRECTLY OR INDIRECTLY IN ANY WAY DETRIMENTAL TO THE INTEREST OF THE COMPANY.

REV	DATE	ALTERED	REV	DATE	ALTERED	ADDITIONAL INFORMATION
		CHECKED			CHECKED	
						STATUS OF DRAWING
						U
						DISTRIBUTION OF PRINTS
		LME(DV)-1			LMP(DV)-1	LMM(DV)-3

DIMNL. TOL:- AS PER CORP. STD. AA 062 11 04 GRADE OF ACCURACY 'A' UNLESS OTHERWISE STATED.



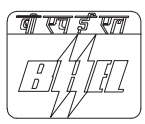
NOTES:-

1. ALL SHARP EDGES AND CORNERS TO BE ROUNDED OFF.
2. FRP MATERIAL TO RDSO SPECIFICATION NO.RDSO/2008/EL/SPEL/0058 (REV.-0) MAR,2008
3. FINISH:- NATURAL

R083F214

REF. DRG. No.	001		HATCH PANEL-4	001		SEE NOTE			
UNIT OF QTY.	-								
DESCRIPTION		ITEM No.		DRAWING No.	ITEM No.	MATL. CODE	A	COMP GROUP	UNIT WEIGHT (kg)
VAR-ANT	BASIC VARI-ANT	R.M UNIT QTY.			VARI-ANT	MATL. SPECN.	C		QTY.
CARD TYPE-2				CARD TYPE-1					

SIGN & DATE



BHARAT HEAVY ELECTRICALS LTD.  
JHANSI

DEPT. LME	CODE 404		SCALE NTS	WEIGHT (kg.) -	REF. TO ASSY. DRG. 4 719 35 05 017	IT.001
-----------	----------	--	-----------	----------------	------------------------------------	--------

INVENTORY No.

TITLE	<b>HATCH PANEL - 4</b>	DRAWN	T.R.DHADSE	SIGN	DATE 05.07.10
		CHECKED	S.B.ARYA		05.07.10
		APPROVED	DKC/GR		05.07.10

DIMENSIONS TO BE CONTROLLED WITHIN AS LIMITS SHOWN. MACHINING TOLERANCE +_0.25mm UNLESS OTHERWISE .SHOWN NON-MACHINING TOLERANCE +_ . . . . .	CARD CODE	DRAWING No. <b>4 719 36 05 021</b>	REV 00
		SHEET No 01	No. OF SHEET 01

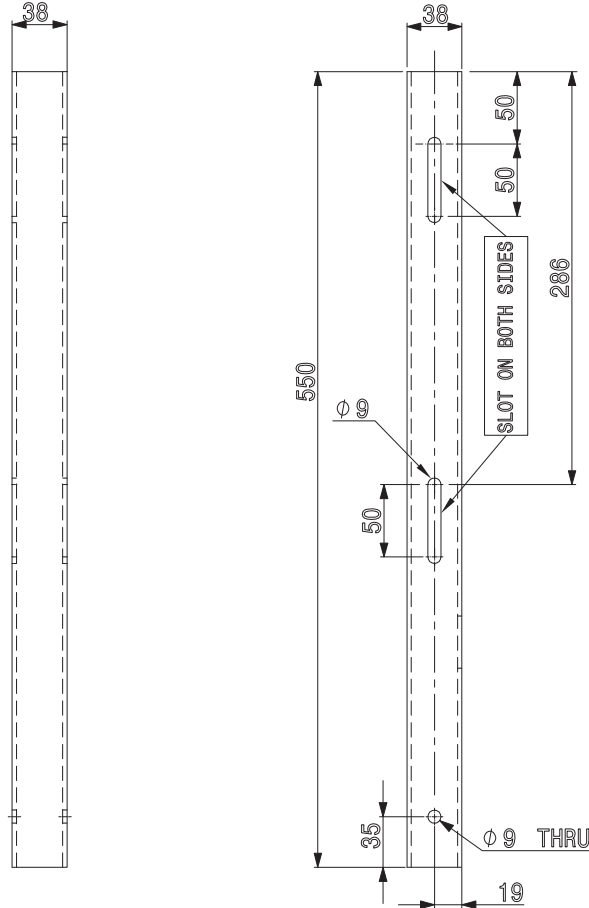
FIRST ANGLE PROJECTION

(ALL DIMENSIONS ARE IN mm)

THIS INFORMATION ON THE DOCUMENT IS THE PROPERTY OF BHARAT HEAVY ELECTRICALS LIMITED. IT MUST NOT BE USED DIRECTLY OR INDIRECTLY IN ANY WAY DETRIMENTAL TO THE INTEREST OF THE COMPANY.

REV	DATE	ALTERED	REV	DATE	ALTERED	ADDITIONAL INFORMATION	
		CHECKED			CHECKED		
						STATUS OF DRAWING	U
						DISTRIBUTION OF PRINTS	LME(DV)-1    LMP(DV)-1    LMM(DV)-3

DIMNL.TOL: - AS PER CORP. STD. AA 062 11 04 GRADE OF ACCURACY 'A' UNLESS OTHERWISE STATED.



**NOTES: -**

1. ALL SHARP EDGES AND CORNERS TO BE ROUNDED OFF.
2. FINISH: - NATURAL

<b>D083F231</b>	REF. DRG. No.		001	SQ. BOX	001	IS:2062			
			550	6Tk.x38x38					
	UNIT OF QTY.	DESCRIPTION	ITEM No.	DRAWING No.	ITEM No.	MATL. CODE	A	UNIT WEIGHT (kg)	
	VAR- IANT 00	BASIC VARI- ANT	R.M UNIT QTY.			VARI- ANT	MATL. SPECN.	C	COMP GROUP
CARD TYPE-2					CARD TYPE-1				

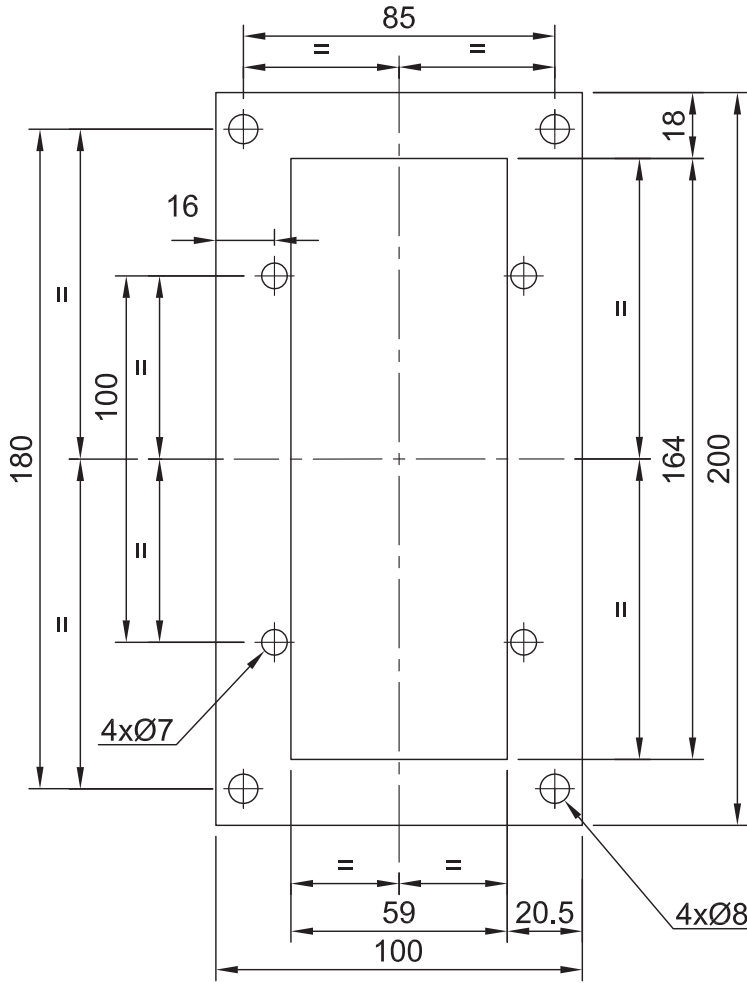
SIGN & DATE			BHARAT HEAVY ELECTRICALS LTD. JHANSI						
	DEPT. LME	CODE 404		SCALE NTS	WEIGHT (kg.) -	REF. TO ASSY. DRG. 3 719 36 05 008 IT.001			

INVENTORY No.	TITLE				DRAWN				NAME		SIGN		DATE	
	<b>DESK SUPPORT</b>				CHECKED				S.B.ARYA				05.07.10	
					APPROVED				DKC/GR				05.07.10	
DIMENSIONS TO BE CONTROLLED WITHIN AS LIMITS SHOWN. MACHINING TOLERANCE +_0.25mm UNLESS OTHERWISE .SHOWN NON-MACHINING TOLERANCE +_.....					CARD CODE		DRAWING No. 4 719 36 05 022				REV 00			
					SHEET No 01		No. OF SHEET 01							

THIS INFORMATION ON THE DOCUMENT IS THE PROPERTY OF BHARAT HEAVY ELECTRICALS LIMITED. IT MUST NOT BE USED DIRECTLY OR INDIRECTLY IN ANY WAY DETRIMENTAL TO THE INTEREST OF THE COMPANY.

REV 002	DATE 23.9.13	ALTERED CHECKED	DKK	REV 01	DATE 01.08.12	ALTERED CHECKED	M.K.Sonwane	ADDITIONAL INFORMATION
DIM. 16 WAS 6. DRG. UPDATED				DIM. 164,59 WERE 160,55 RESPLY & 4 HOLES DIA. 7 ADDED. DRG. REDRAWN & UPDATED.				STATUS OF DRAWING U
								DISTRIBUTION OF PRINTS LME(DV) - 1 LMP(DV) - 1 LMM(DV) - 3

DIMNLTOL:— AS PER CORP. STD. AA 062 11 04 GRADE OF ACCURACY 'A' UNLESS OTHERWISE STATED.



NOTES:—

- 1.ALL SHARP EDGES AND CORNERS TO BE ROUNDED OFF.
- 2.FINISH:— NATURAL

REF. DRG. No.	001	mm	STEEL SHEET	001		AA10171111117		0.138	
		200	2Tk x 100			AA10111			
VAR-ANT 00	BASIC VARI-ANT	UNIT OF QTY.	DESCRIPTION	ITEM No.	DRAWING No.	ITEM No.	MATL. CODE	A	UNIT WEIGHT (kg)
		R.M UNIT QTY.				VARI-ANT	MATL. SPECN.	C	QTY.
CARD TYPE-2					CARD TYPE-1				


**BHARAT HEAVY ELECTRICALS LTD.**  
**JHANSI**

DEPT. LME	CODE 404		SCALE 1:2	WEIGHT (kg.) 0.138	REF. TO ASSY. DRG. 2 719 36 05 000	IT.004
-----------	----------	-------------------------------------------------------------------------------------	-----------	--------------------	------------------------------------	--------

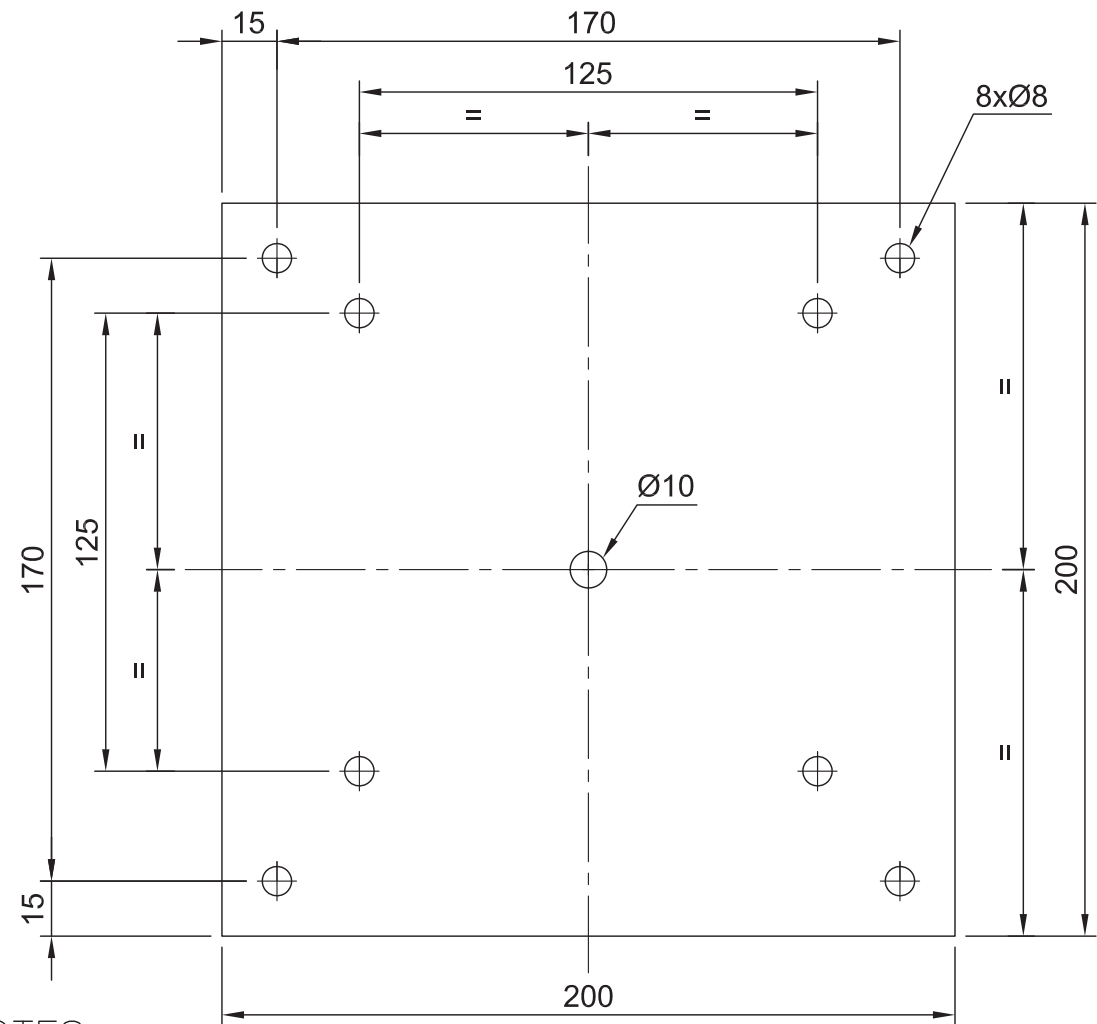
INVENTORY No.	TITLE	<b>MOUNTING PLATE</b>		DRAWN	NAME M.K.SONWANE	SIGN Sd/-	DATE 20.10.11
		(FOR OHE SENSOR)		CHECKED	S.B.ARYA	Sd/-	20.10.11
				APPROVED	DKC/GR	Sd/-	20.10.11

DIMENSIONS TO BE CONTROLLED WITHIN AS LIMITS SHOWN.	CARD CODE	DRAWING No.	REV
MACHINING TOLERANCE +_0.25mm UNLESS OTHERWISE .SHOWN		4 719 36 05 026	02
NON-MACHINING TOLERANCE +_.....	SHEET No	01	No. OF SHEET 01

THIS INFORMATION ON THE DOCUMENT IS THE PROPERTY OF BHARAT HEAVY ELECTRICALS LIMITED. IT MUST NOT BE USED DIRECTLY OR INDIRECTLY IN ANY WAY DETRIMENTAL TO THE INTEREST OF THE COMPANY.

REV	DATE	ALTERED	REV	DATE	ALTERED	ADDITIONAL INFORMATION	
		CHECKED			CHECKED		
						STATUS OF DRAWING	U
						DISTRIBUTION OF PRINTS	LME(DV) - 1 LMP(DV) - 1 LMM(DV) - 3

**DIMNLT.TOL:** - AS PER CORP. STD. AA 062 11 04 GRADE OF ACCURACY 'A' UNLESS OTHERWISE STATED.



**NOTES:-**

- 1. ALL SHARP EDGES AND CORNERS TO BE ROUNDED OFF.
- 2. FINISH:- NATURAL

REF. DRG. No.	001	mm	STEEL SHEET	001		AA10171111117		0.627	
		200	2Tk x 200			AA10111			
		UNIT OF QTY.	DESCRIPTION	ITEM No.	DRAWING No.	ITEM No.	MATL. CODE	A	UNIT WEIGHT (kg)
		R.M UNIT QTY.				VARI-ANT	MATL. SPECN.	C	QTY.
								COMP GROUP	

SIGN & DATE			<h1>BHARAT HEAVY ELECTRICALS LTD.</h1> <h2>JHANSI</h2>			
	DEPT. LME	CODE 404		SCALE 1:2	WEIGHT (kg.) 0.627	REF. TO ASSY. DRG. 2 719 36 05 000

INVENTORY No.	TITLE				DRAWN		NAME		SIGN		DATE	
	<h2>MOUNTING PLATE</h2> <p>(FOR SPEEDOMETER)</p>				M.K.SONWANE						20.10.11	
					S.B.ARYA						20.10.11	
				APPROVED		DKC/GR				20.10.11		
DIMENSIONS TO BE CONTROLLED WITHIN AS LIMITS SHOWN.				CARD CODE	DRAWING No. 4 719 36 05 027				REV 00			
MACHINING TOLERANCE +_0.25mm UNLESS OTHERWISE .SHOWN					SHEET No 01				No. OF SHEET 01			
NON-MACHINING TOLERANCE +_.....												

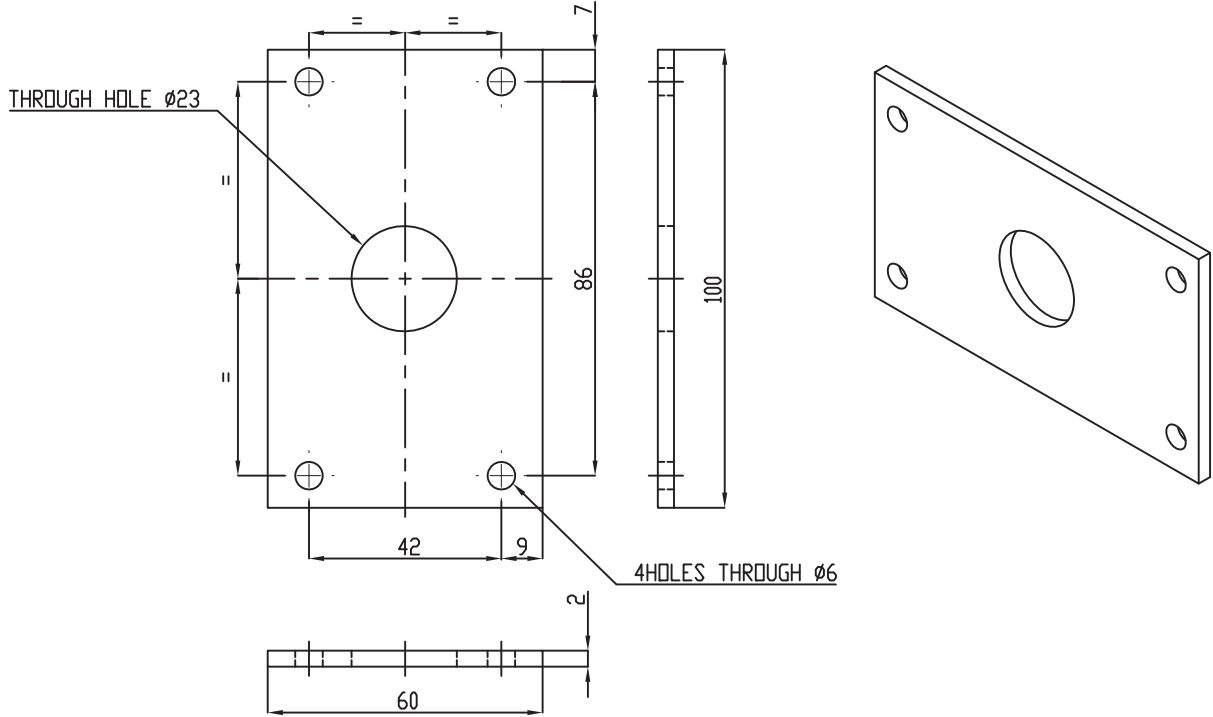




THIS INFORMATION ON THE DOCUMENT IS THE PROPERTY OF BHARAT HEAVY ELECTRICALS LIMITED. IT MUST NOT BE USED DIRECTLY OR INDIRECTLY IN ANY WAY DETRIMENTAL TO THE INTEREST OF THE COMPANY.

REV	DATE	ALTERED	REV	DATE	ALTERED	ADDITIONAL INFORMATION W.O.: - 39035 A 335 00
		CHECKED			CHECKED	
						STATUS OF DRAWING "U"
						DISTRIBUTION OF PRINTS LME(DV) - 1 LMP(DV) - 1 LMM(DV) - 3

DIMNL. TOL: - AS PER CORP. STD. AA 062 11 04 GRADE OF ACCURACY 'A' UNLESS OTHERWISE STATED.



NOTES:-

1. ALL SHARP EDGES AND BURS TO BE ROUNDED OFF.
2. FINISH:- RAL 7043 OR EQUIVALENT COLOUR(DARK GREY) POWER COAT.

REF. DRG. No.	001	mm	STEEL SHEET	001	AA1011711117	0.150
REF. DRG. No.		100	2TK x 60		AA10111	
VAR-ANT	BASIC	UNIT OF QTY.	DESCRIPTION	ITEM No.	DRAWING No.	ITEM No.
00	VARI-ANT	R.M UNIT QTY.				MATL. CODE
						MATL. SPECN.
						A
						C
						COMP GROUP
						UNIT WEIGHT (kg)
						QTY.

CARD TYPE-2

CARD TYPE-1

SIGN & DATE



BHARAT HEAVY ELECTRICALS LTD.  
JHANSI

DEPT. LME	CODE 404		SCALE 1:2	WEIGHT (kg.) 0.150	REF. TO ASSY. DRG. 37193605001	IT. --
-----------	----------	--	-----------	--------------------	--------------------------------	--------

INVENTORY No.

TITLE	<b>MOUNTING PLATE OF</b> ( B. P. E. M. S. )	DRAWN	MADHAW	SIGN	DATE
		CHECKED	UMESH KR		13.08.13
		APPROVED	UK/MKS		13.08.13

DIMENSIONS TO BE CONTROLLED WITHIN AS LIMITS SHOWN.  
MACHINING TOLERANCE +0.25mm UNLESS OTHERWISE .SHOWN  
NON-MACHINING TOLERANCE ±.....

CARD CODE

DRAWING No.	REV
LME/4-3644	00
SHEET No 01	No. OF SHEET 01