

<p>FERROUS PARTS ARE HOT-DIP GALVANIZED (EXCEPT FEMALE THREADS) AS PER IS: 2828-1966 AND TESTS CONFORM TO IS: 2833-1972 PORCELAIN BROWN GLAZED</p>		<p>ITEM No.</p>	<p>DESCRIPTION</p>	<p>DRAWING No.</p>	<p>ITEM No.</p>	<p>MATERIAL CODE</p>	<p>MATERIAL SPEC.</p>	<p>UNIT WT.</p>	<p>QTY.</p>
<p>ADDITIONAL INFORMATION</p>		<p>TYPE OF PRODUCT</p>			<p>CARD TYPE 1</p>		<p>CARD TYPE 2</p>		
<p>STATUS OF DRAWING</p>		<p>OR</p>			<p>NAME OF CUSTOMER / PROJECT</p>		<p>BHARAT HEAVY ELECTRICALS LTD., ELECTROPORCELAINS DIVISION BANGALORE - 560 012</p>		
<p>DISTRIBUTION OF PRINTS</p>		<p>DEPT.</p>			<p>GRADE OF TOL. DIM.</p>		<p>SCALE</p>		<p>WEIGHT (KG)</p>
<p>REV. DATE ALTERED CHECKED</p>		<p>REV. DATE ALTERED CHECKED</p>			<p>CODE C/M/F</p>		<p>NTS</p>		<p>REF. TO ASSY. DRG.</p>
<p>REV. DATE ALTERED CHECKED</p>		<p>REV. DATE ALTERED CHECKED</p>			<p>TITLE</p>		<p>COPPER COIL FOR FERRO FILTER</p>		<p>DRAWING No.</p>
<p>INVENTORY No.</p>		<p>REF. DRG. No.</p>			<p>SIGN. AND DATE</p>		<p>DRN. V.C. HIREMATH</p>		<p>No. OF SHEETS</p>
<p>THE INFORMATION ON THIS DOCUMENT IS THE PROPERTY OF BHARAT HEAVY ELECTRICALS LIMITED. IT MUST NOT BE USED DIRECTLY OR INDIRECTLY IN ANY WAY DETRIMENTAL TO THE INTEREST OF THE COMPANY.</p>		<p>AS PER SAMPLE</p>			<p>FOLIO No. MP-2158</p>		<p>SUPERSEDES DRG. No.</p>		<p>SHT. 24. SIZE A3, 420 X 297.</p>

MN-2226

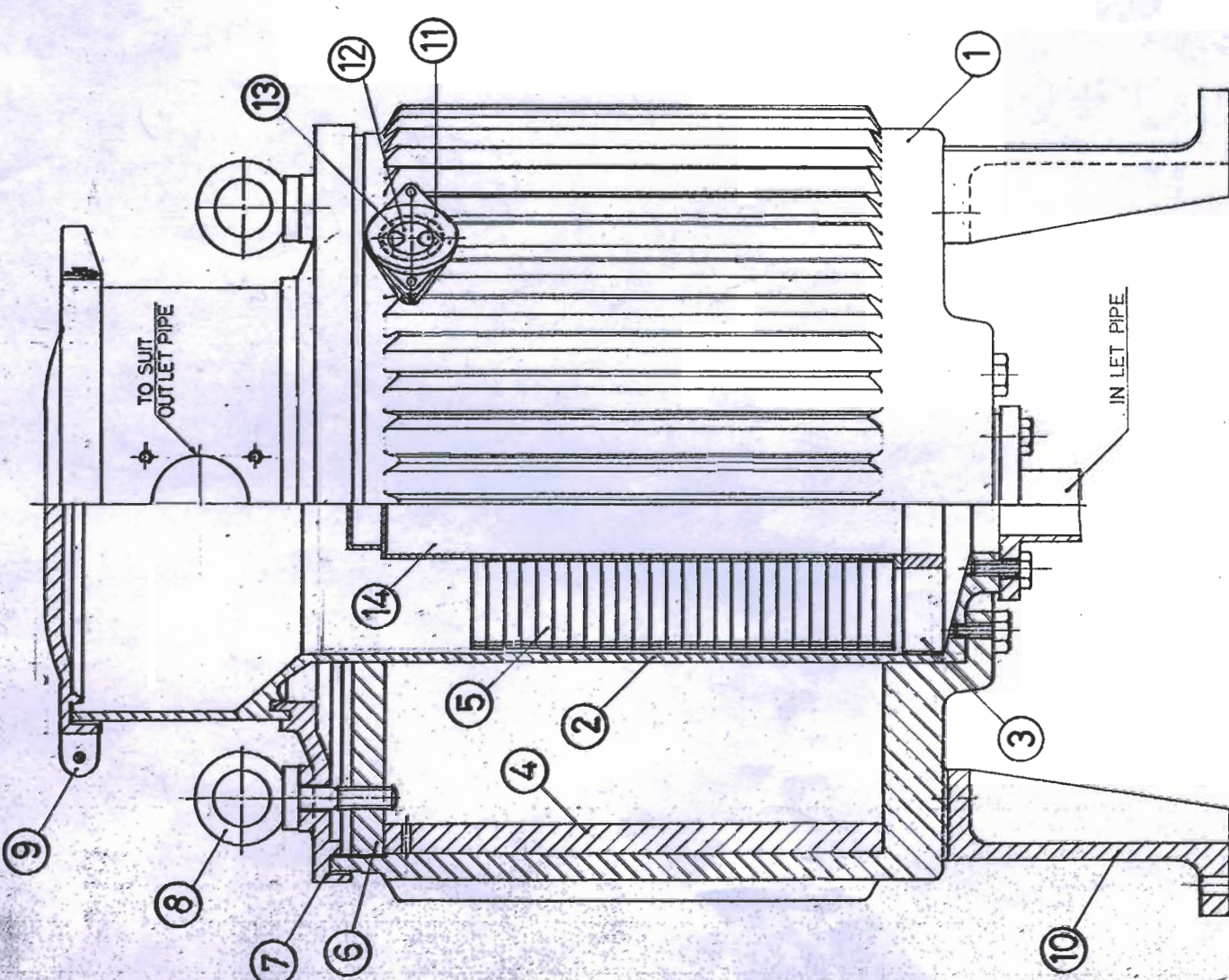
COPPER COIL FOR FERRO FILTER

AS PER SAMPLE

FIRST ANGLE PROJECTION

ALL DIMENSIONS ARE IN mm

DRG. NO.



ITEM No.	DESCRIPTION	DRAWING No.	MATERIAL CODE		UNIT WT.	QTY.
			A	C		
14	CENTRE TUBE					
13	DISC	MU-2238				
12	WASHER	MU-2237				
11	COVER FOR OIL INDICATOR	MU-2236				
10	LEG	MU-2235				
9	COVER (TOP)	MN-2222				
8	EYE HOOK	MU-2239				
7	COVER	MN-2220				
6	DISC	MU-2231				
5	MESH	MN-2221				
4	RING	MU-2232				
3	BOTTOM RING	MN-2223				
2	CYLINDER	MP-2157				
1	BODY	MP-2156 # 1				

PERVIOUS PARTS ARE HOT-DIP GALVANIZED (EXCEPT FEMALE THREADS) AS PER IS : 2828-1988 AND TESTS CONFORM TO IS : 2833-1972. PORCELAIN BROWN GLAZED

ADDITIONAL INFORMATION		TYPE OF PRODUCT		OR		NAME OF CUSTOMER / PROJECT		DRG. V.C. HIREMATH		SIGN.		DATE		No. OF VAR			
STATUS OF DRAWING		GRADE OF TOL. DIM C/M/F		SCALE		WEIGHT (kg)		REF. TO ASSY. DRG.		ITEM No.		No. OF ITEMS					
DISTRIBUTION OF PRINTS		C/M/F		1:2.5				BHARAT HEAVY ELECTRICALS LTD., ELECTROPORCELAIN DIVISION BANGALORE - 560 012		DR. V. S. JOLAD		22-1-91					
REV.	DATE	ALTERED	CHECKED	ZONE													
REV.	DATE	ALTERED	CHECKED	ZONE													
TITLE														DRAWING No.		No. OF SHEETS	
GENERAL VIEW OF FERRO FILTER (2 TONNE)														MP-2158			

THE INFORMATION ON THIS DOCUMENT IS THE PROPERTY OF BHARAT HEAVY ELECTRICALS LIMITED. IT MUST NOT BE USED DIRECTLY OR INDIRECTLY IN ANY WAY DETRIMENTAL TO THE INTEREST OF THE COMPANY

SHT. 25, SIZE A2, 594 X 420.

SUPERSEDES DRG. No.