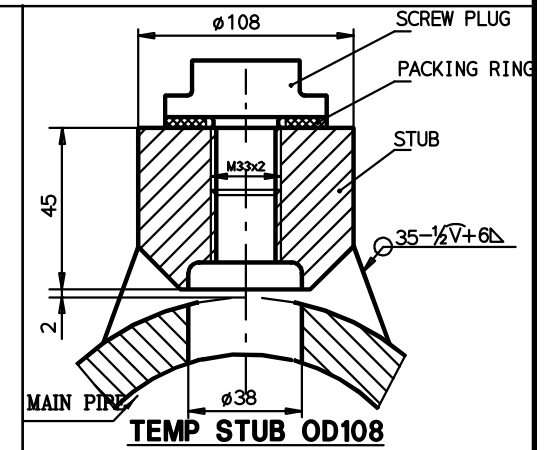
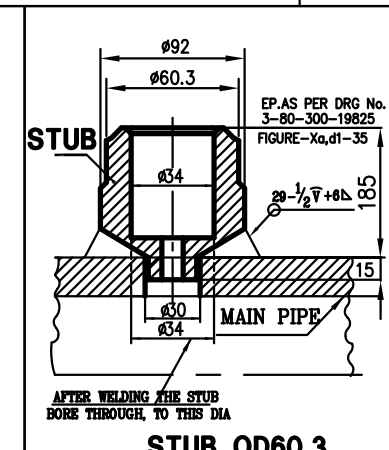
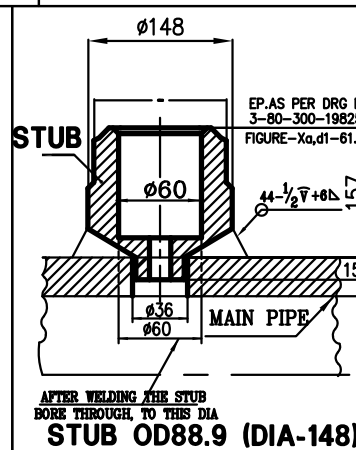
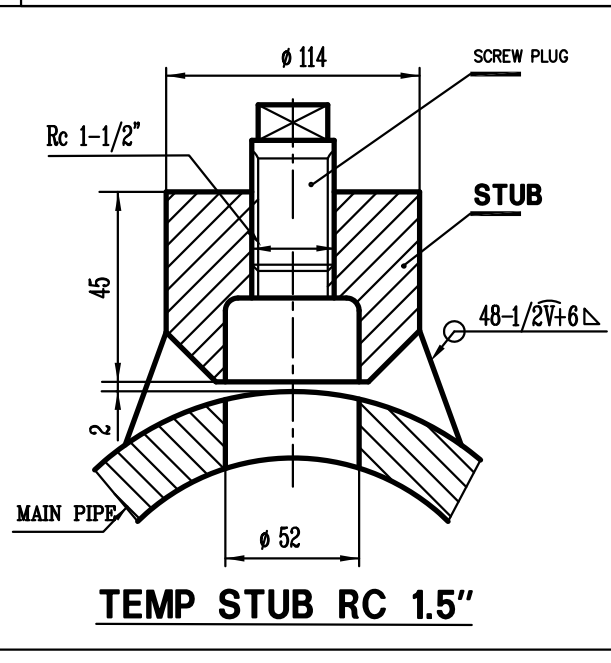
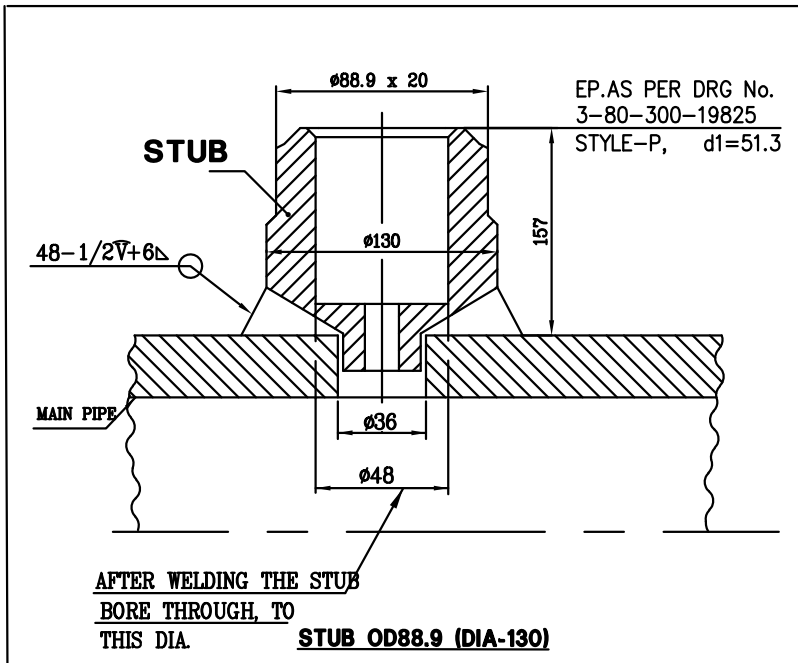
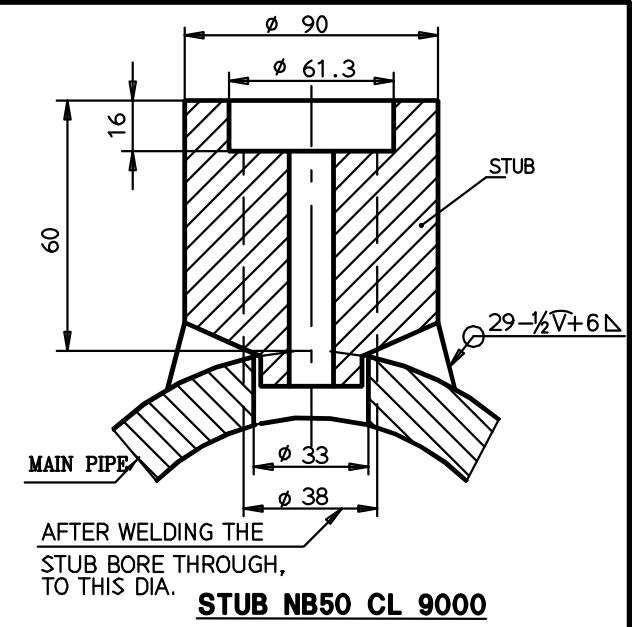
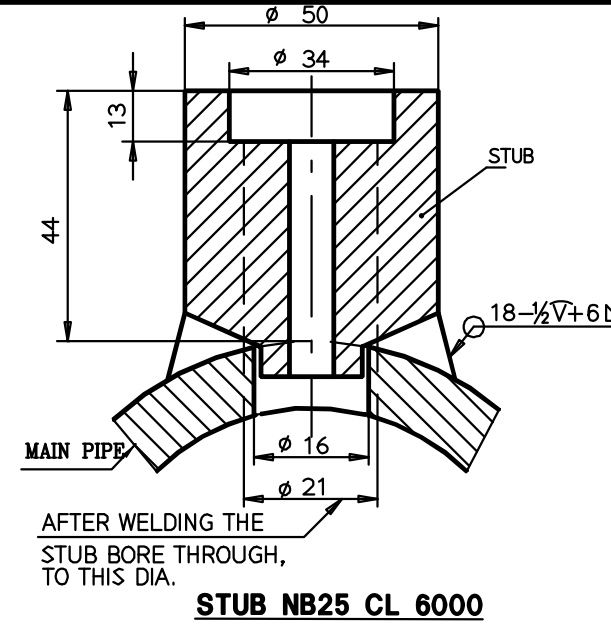
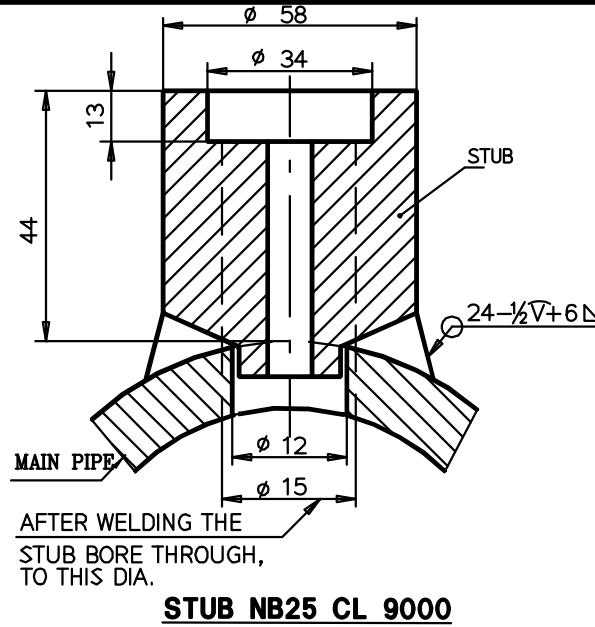
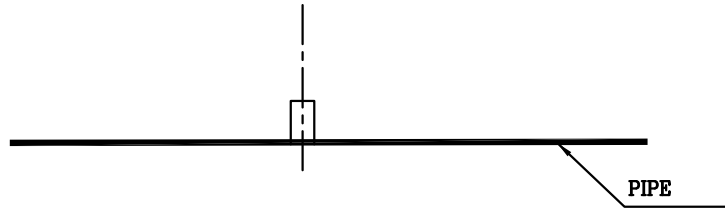


CAUTION THE INFORMATION ON THIS DOCUMENT IS THE PROPERTY OF BHARAT HEAVY ELECTRICALS LIMITED. IT MUST NOT BE USED DIRECTLY OR INDIRECTLY IN ANY WAY DETRIMENTAL TO THE INTEREST OF THE COMPANY



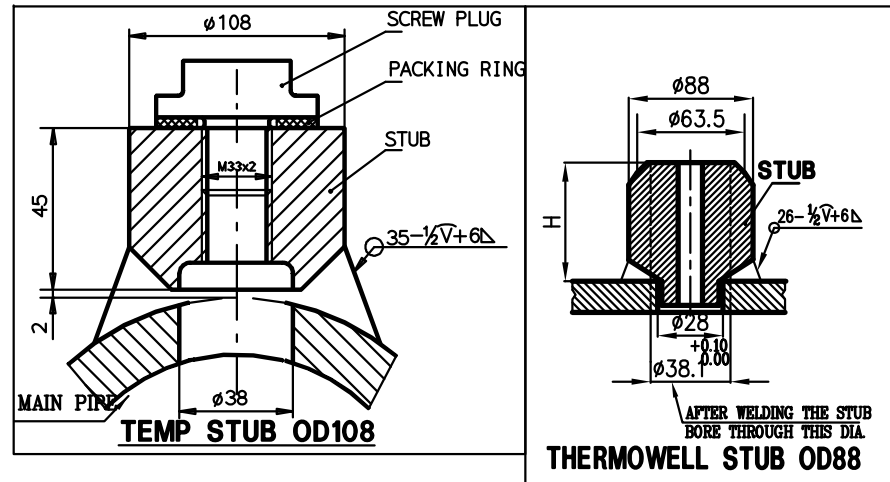
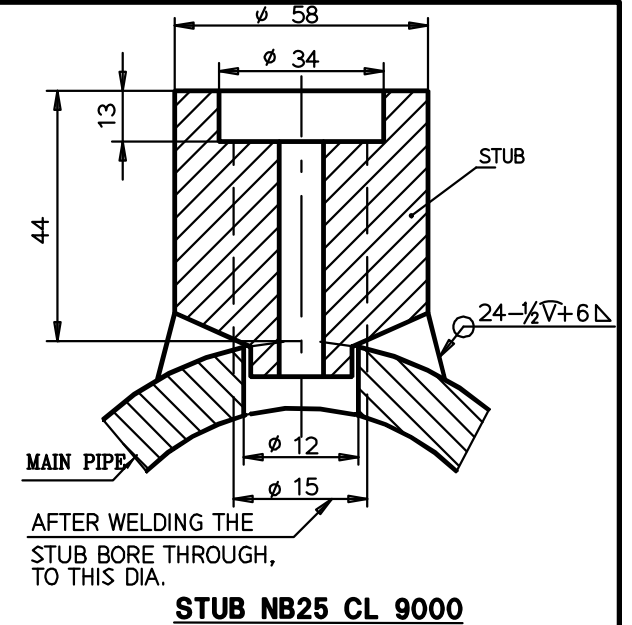
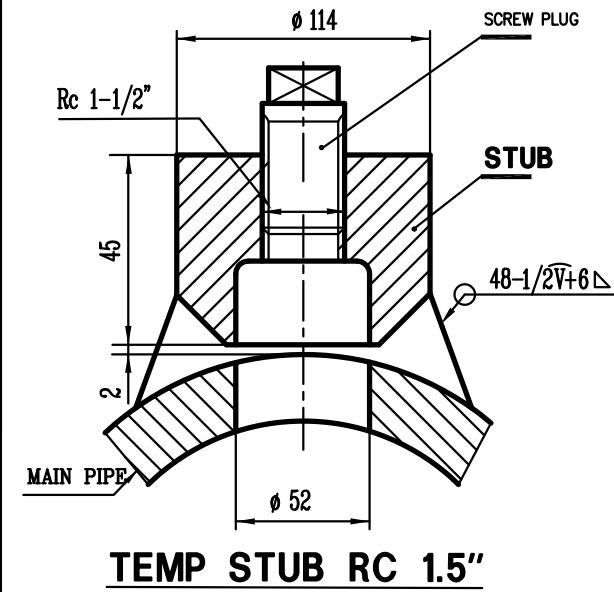
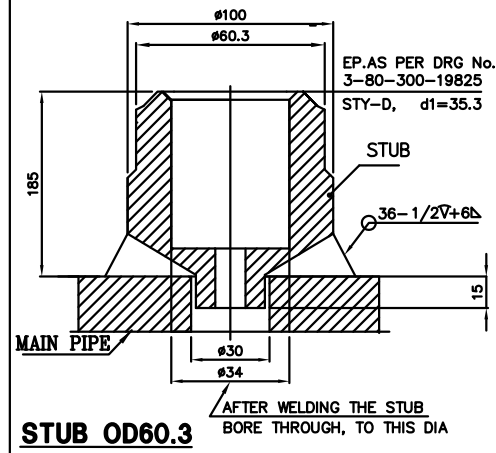
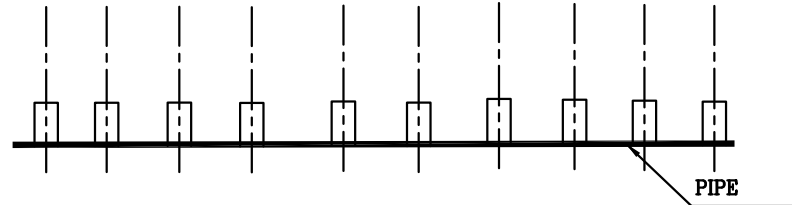
PIPE OD RANGE	THK RANGE	QTY	STUB OD	STUB TYPE	QTY/PIPE
219.1-406.4	25-55	4	114	TEMP STUB RC 1.5"	1
		4	130	STUB OD 88.9	1
		8	50	SW NB 25 CL 6000	1
		9	58	SW NB 25 CL 9000	1
		2	90	SW NB 50 CL 9000	1
		6	92	STUB OD 60.3	1
457-559	43-72	1	108	TEMP STUB D108	1
		2	130	STUB OD 88.9	1
		4	148	STUB OD 88.9	1
		5	58	SW NB 25 CL 9000	1
630-864	21-85	4	114	TEMP STUB RC 1.5"	1
		30	58	SW NB 25 CL 9000	1
		2	90	SW NB 50 CL 9000	1
		5	92	STUB OD 60.3	1

NOTES:

- FOR EDGE PREPARATION REFER DRG NO:3-80-300-19825.
- ALL PIPES ARE UNDER THE PURVIEW OF IBR AND TO BE SUPPLIED WITH FORM-III A
- RAW MATERIAL FOR STRAIGHT PIPES AND RAW MATERIALS/FINISHED COMPONENTS FOR ATTACHMENTS WILL BE SUPPLIED BY BHEL.

	BHARAT HEAVY ELECTRICALS LTD.,		DRN	NAME	SIGN	DATE	NO OF ITEMS
	PIPING CENTRE,		CHD	M.R.K		20.11.12	
	CHENNAI 600 017		APPD	M.MANO		20.11.12	
TITLE			CARD CODE	DRAWING No.		REV	
PIPE WITH 1 STUB SA335P91			U 01	PIPE SKETCH-01		00	

CAUTION THE INFORMATION ON THIS DOCUMENT IS THE PROPERTY OF BHARAT HEAVY ELECTRICALS LIMITED. IT MUST NOT BE USED DIRECTLY OR INDIRECTLY IN ANY WAY DETRIMENTAL TO THE INTEREST OF THE COMPANY



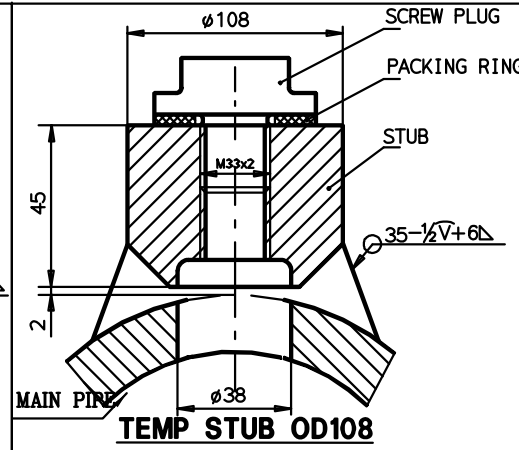
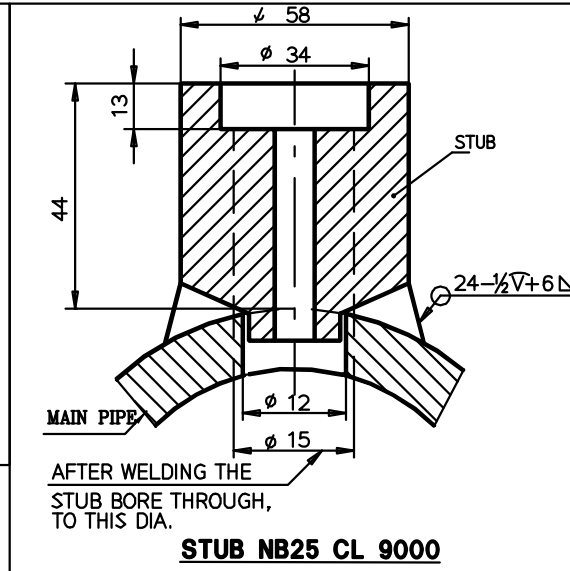
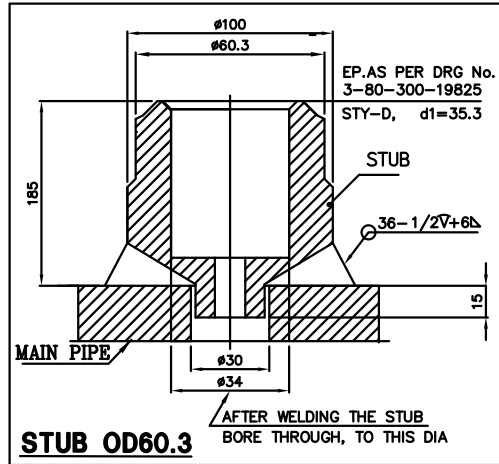
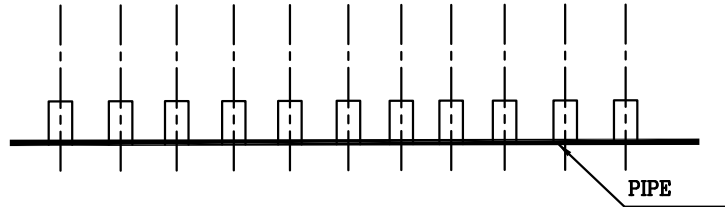
NOTES:

01. FOR EDGE PREPARATION REFER DRG NO:3-80-300-19825.
02. ALL PIPES ARE UNDER THE PURVIEW OF IBR AND TO BE SUPPLIED WITH FORM-III A
03. RAW MATERIAL FOR STRAIGHT PIPES AND RAW MATERIALS/FINISHED COMPONENTS FOR ATTACHMENTS WILL BE SUPPLIED BY BHEL.

PIPE OD RANGE	THK RANGE	QTY	STUB OD	STUB TYPE	QTY/PIPE
219.1-406.4	25-55	2	100	STUB OD 60.3	1
			58	SW NB 25 CL 9000	4
			108	TEMP STUB D108	5
630-864	21-85	4	58	SW NB 25 CL 9000	4
			114	TEMP STUB RC 1.5"	4
		3	88	THERMOWELL OD 60.3	2
			58	SW NB 25 CL 9000	6
			114	TEMP STUB RC 1.5"	4

	BHARAT HEAVY ELECTRICALS LTD.,		DRN	NAME	SIGN	DATE	NO OF ITEMS
	PIPING CENTRE,		CHD	M.R.K		20.11.12	
	CHENNAI 600 017		APPD	M.MANO		20.11.12	
TITLE			CARD CODE	DRAWING No.		REV	
PIPE WITH 10 STUBS			U 01	SKETCH-02		00	

CAUTION THE INFORMATION ON THIS DOCUMENT IS THE PROPERTY OF BHARAT HEAVY ELECTRICALS LIMITED. IT MUST NOT BE USED DIRECTLY OR INDIRECTLY IN ANY WAY DETRIMENTAL TO THE INTEREST OF THE COMPANY



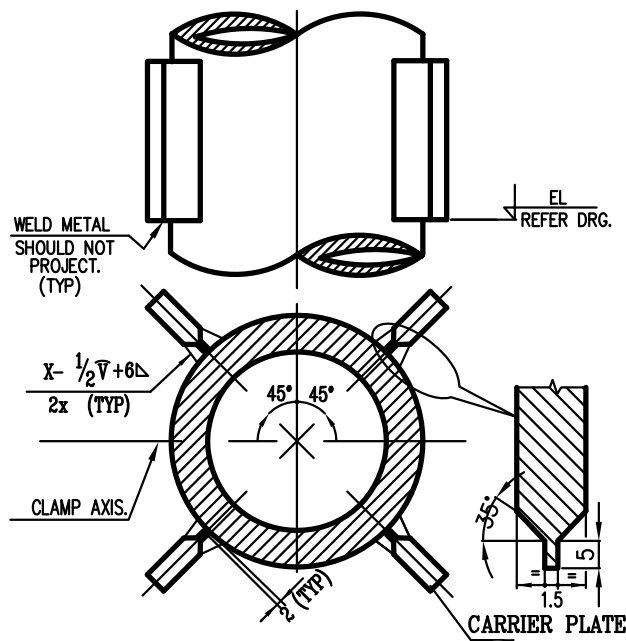
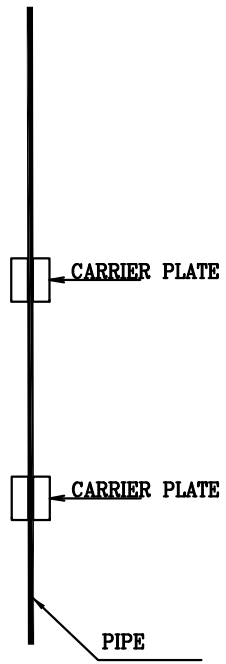
NOTES:

- FOR EDGE PREPARATION REFER DRG NO:3-80-300-19825.
- ALL PIPES ARE UNDER THE PURVIEW OF IBR AND TO BE SUPPLIED WITH FORM-III A
- RAW MATERIAL FOR STRAIGHT PIPES AND RAW MATERIALS/FINISHED COMPONENTS FOR ATTACHMENTS WILL BE SUPPLIED BY BHEL.

219.1-406.4	25-55	2	100	STUB OD 60.3	1
			58	SW NB 25 CL 9000	5
			108	TEMP STUB D108	5
PIPE OD RANGE	THK RANGE	QTY	STUB OD	STUB TYPE	QTY/PIPE

	BHARAT HEAVY ELECTRICALS LTD.,		DRN	NAME	SIGN	DATE	NO OF ITEMS
	PIPING CENTRE,		CHD	M.R.K		20.11.12	
	CHENNAI 600 017		APPD	M.MANO		20.11.12	
TITLE			CARD CODE	DRAWING No.		REV	
PIPE WITH 11 STUBS SA335P91			U 01	PIPE SKETCH-03		00	

CAUTION THE INFORMATION ON THIS DOCUMENT IS THE PROPERTY OF BHARAT HEAVY ELECTRICALS LIMITED. IT MUST NOT BE USED DIRECTLY OR INDIRECTLY IN ANY WAY DETRIMENTAL TO THE INTEREST OF THE COMPANY




CARRIER PLATE DETAIL

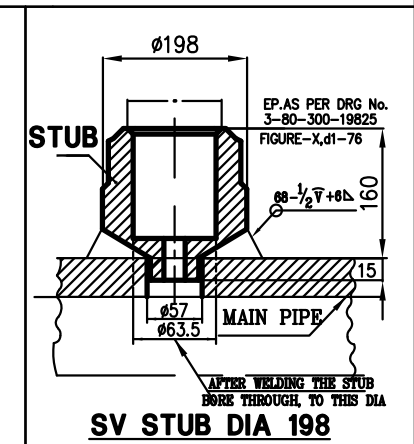
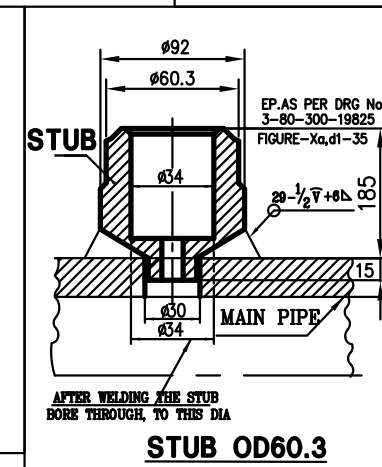
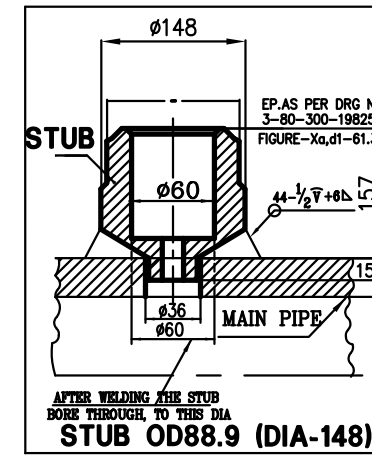
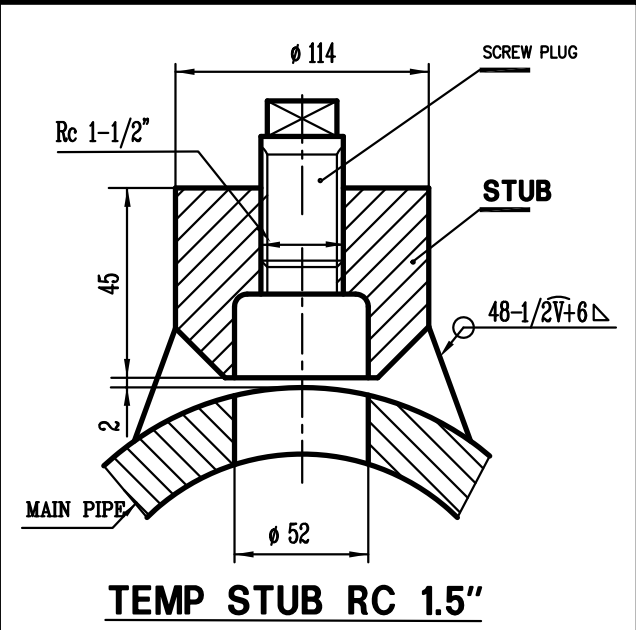
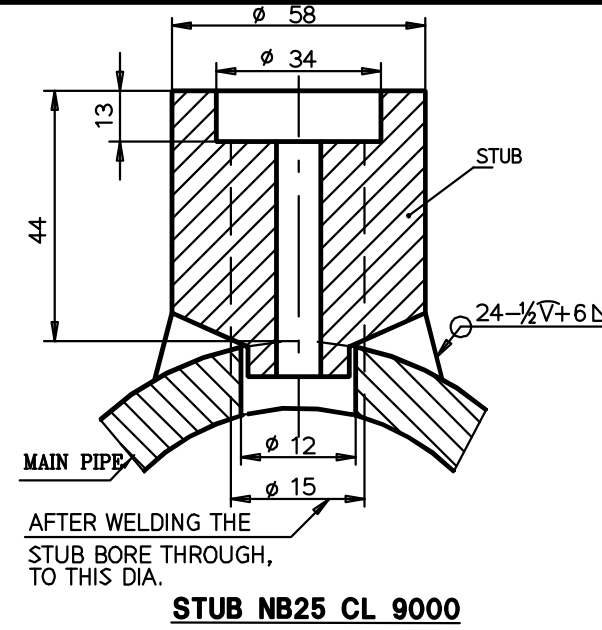
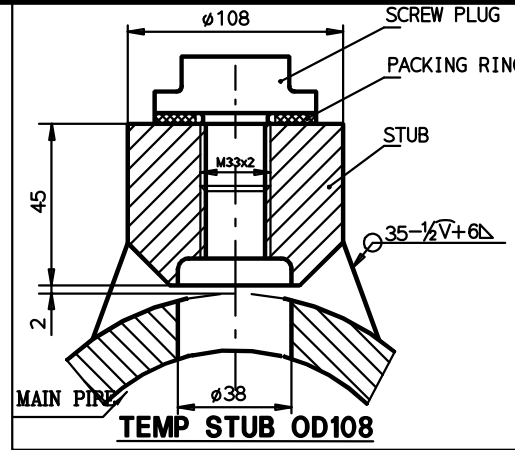
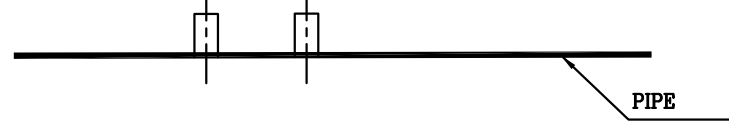
NOTES:

01. FOR EDGE PREPARATION REFER DRG NO:3-80-300-19825.
02. ALL PIPES ARE UNDER THE PURVIEW OF IBR AND TO BE SUPPLIED WITH FORM-III A
03. RAW MATERIAL FOR STRAIGHT PIPES AND RAW MATERIALS/FINISHED COMPONENTS FOR ATTACHMENTS WILL BE SUPPLIED BY BHEL.
04. CARRIER PLATE SPECIFICATION SHALL BE SA387GRP91

457-559	43-72	10	CP 40X50X170	2 SETS
630-864	21-85	2	CP 40X50X170	2 SETS
PIPE OD RANGE	THK RANGE	QTY	CP SIZE	QTY/PIPE

 BHARAT HEAVY ELECTRICALS LTD., PIPING CENTRE, CHENNAI 600 017	DRN	NAME	SIGN	DATE	NO OF ITEMS
	CHD	M.R.K		20.11.12	
	APPD	M.MANO		20.11.12	
TITLE	CARD CODE	DRAWING No.		REV	
PIPE WITH TWO CARRIER PLATES SA335P91	U 01	PIPE SKETCH-04		00	

CAUTION THE INFORMATION ON THIS DOCUMENT IS THE PROPERTY OF BHARAT HEAVY ELECTRICALS LIMITED. IT MUST NOT BE USED DIRECTLY OR INDIRECTLY IN ANY WAY DETRIMENTAL TO THE INTEREST OF THE COMPANY



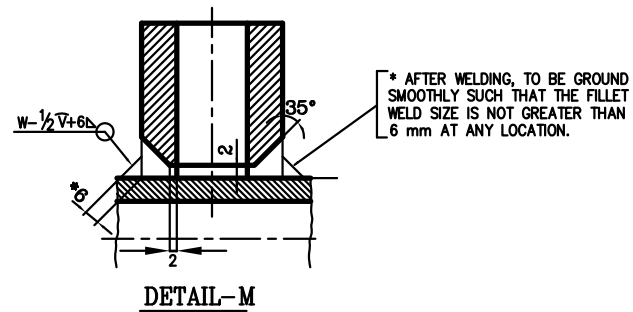
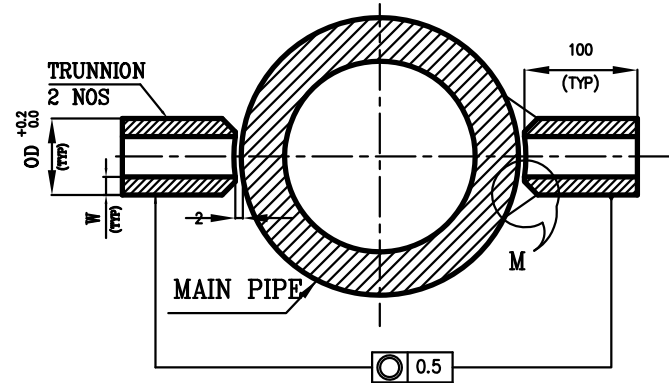
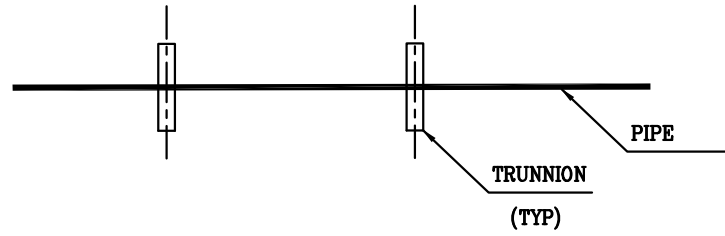
PIPE OD RANGE	THK RANGE	QTY	STUB OD	STUB TYPE	QTY/PIPE
219.1-406.4	25-55	2	108	TEMP STUB D108	2
		1	58	SW NB 25 CL 9000	1
			108	TEMP STUB D108	1
		2	92	STUB OD 60.3	1
			58	SW NB 25 CL 9000	1
457-559	43-72	4	198	SV DIA 198	2
		6	58	SW NB 25 CL 9000	2
			92	STUB OD 60.3	1
		6	148	STUB OD 88.9	1
630-864	21-85	4	114	TEMP STUB RC 1.5"	2
		2	58	SW NB 25 CL 9000	2

NOTES:

- FOR EDGE PREPARATION REFER DRG NO:3-80-300-19825.
- ALL PIPES ARE UNDER THE PURVIEW OF IBR AND TO BE SUPPLIED WITH FORM-III A
- RAW MATERIAL FOR STRAIGHT PIPES AND RAW MATERIALS/FINISHED COMPONENTS FOR ATTACHMENTS WILL BE SUPPLIED BY BHEL.

	BHARAT HEAVY ELECTRICALS LTD.,		DRN	NAME	SIGN	DATE	NO OF ITEMS
	PIPING CENTRE,		CHD	M.R.K		20.11.12	
	CHENNAI 600 017		APPD	M.MANO		20.11.12	
TITLE			CARD CODE	DRAWING No.		REV	
PIPE WITH 2 STUBS SA335P91			U 01	PIPE SKETCH-05		00	

CAUTION THE INFORMATION ON THIS DOCUMENT IS THE PROPERTY OF BHARAT HEAVY ELECTRICALS LIMITED. IT MUST NOT BE USED DIRECTLY OR INDIRECTLY IN ANY WAY DETRIMENTAL TO THE INTEREST OF THE COMPANY




TRUNNION DETAIL

NOTES:

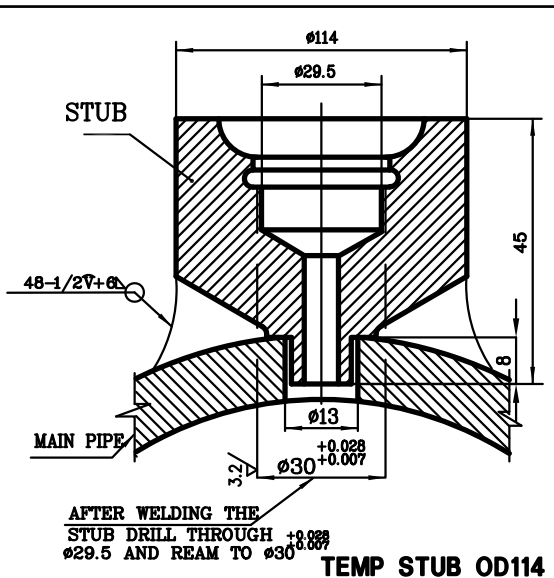
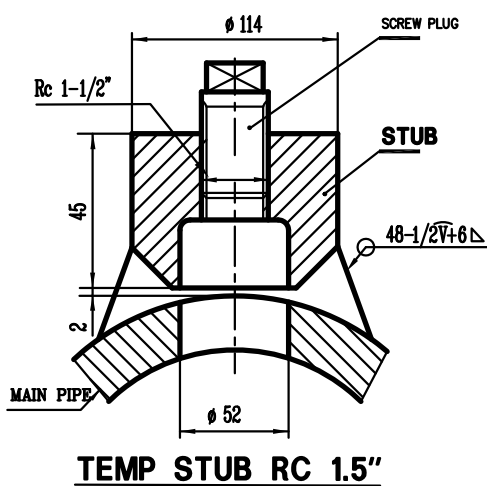
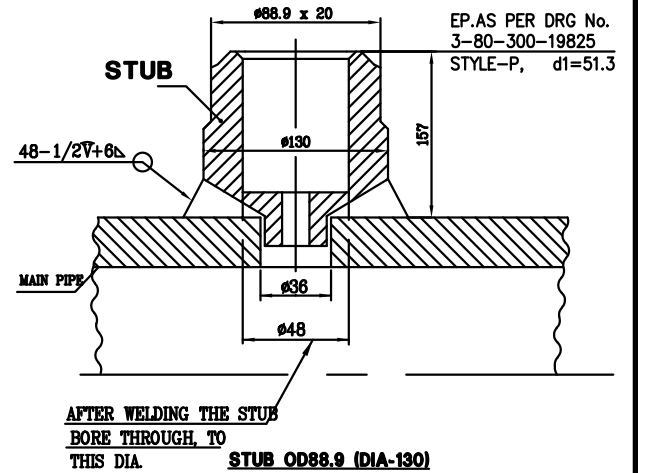
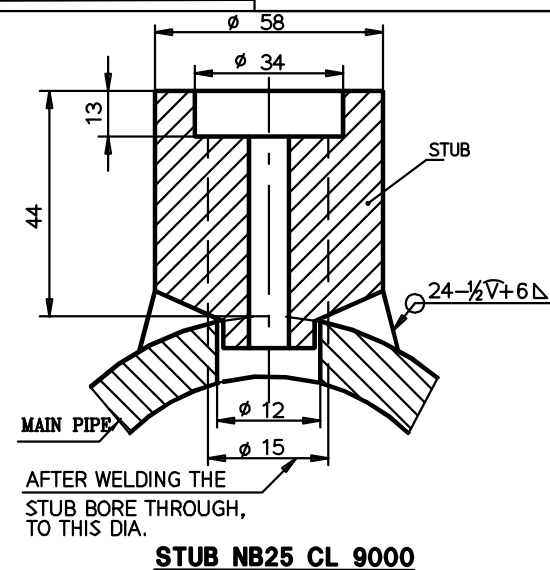
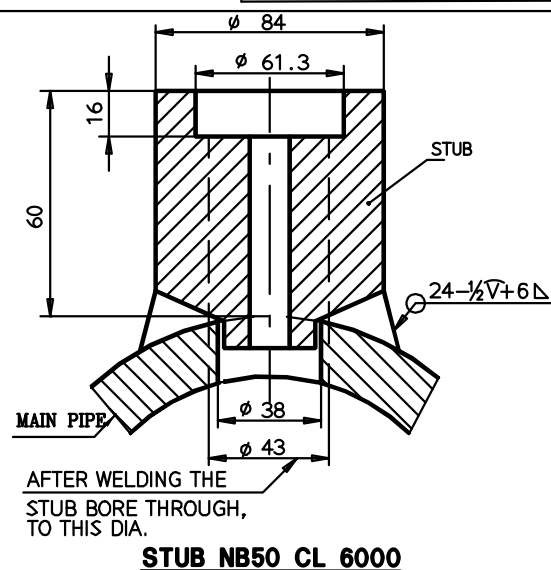
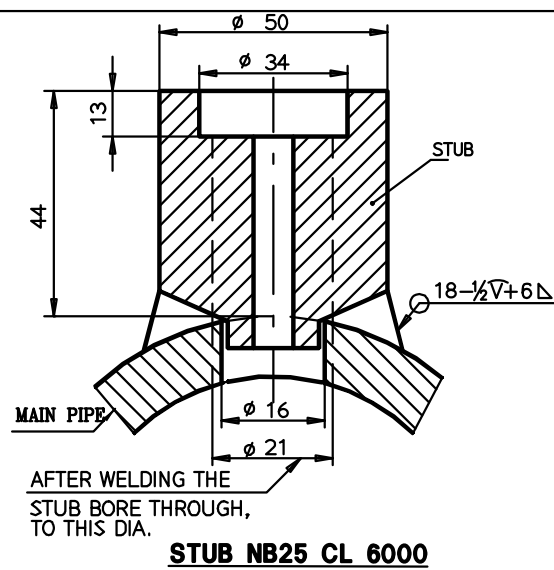
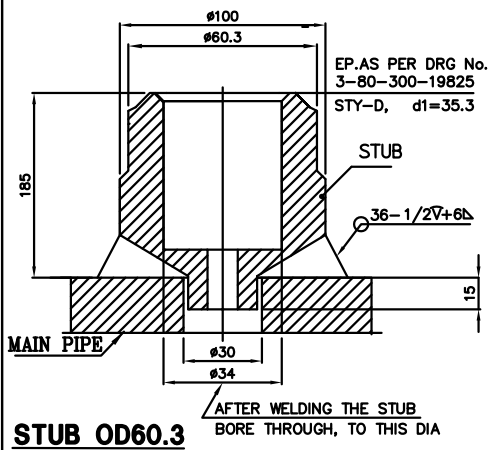
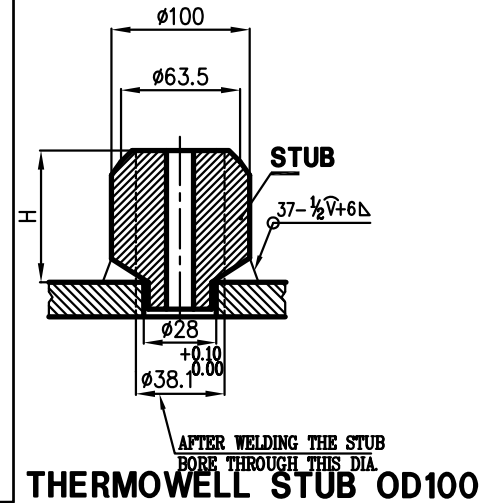
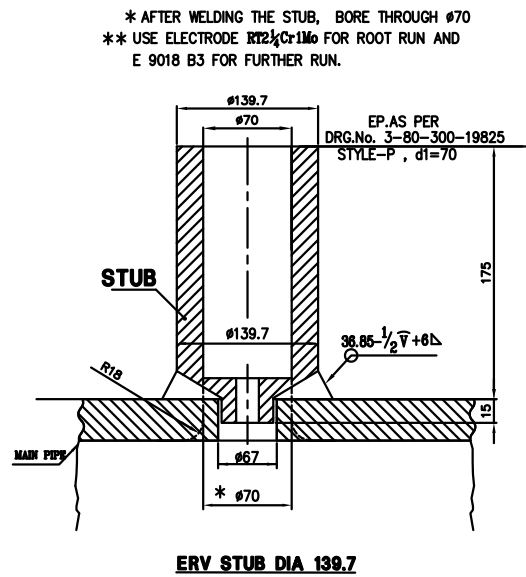
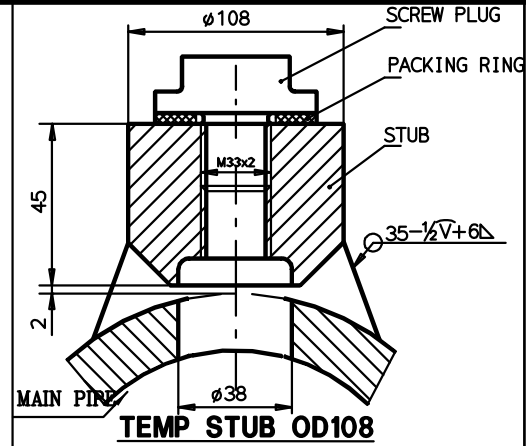
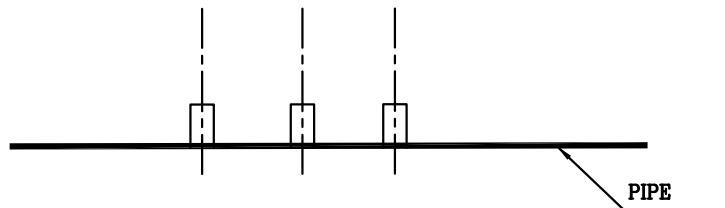
01. FOR EDGE PREPARATION REFER DRG NO:3-80-300-19825.
02. ALL PIPES ARE UNDER THE PURVIEW OF IBR AND TO BE SUPPLIED WITH FORM-III A
03. RAW MATERIAL FOR STRAIGHT PIPES AND RAW MATERIALS/FINISHED COMPONENTS FOR ATTACHMENTS WILL BE SUPPLIED BY BHEL.
04. TRUNNION SPECIFICATION SHALL BE SA335P91.

219.1-406.4	25-55	2	OD 184X49.5	2 SETS
PIPE OD RANGE	THK RANGE	QTY	TRUNNION SIZE	QTY/PIPE

 BHARAT HEAVY ELECTRICALS LTD., PIPING CENTRE, CHENNAI 600 017	DRN	NAME M.R.K	SIGN	DATE 20.11.12	NO OF ITEMS
	CHD	M.MANO		20.11.12	
	APPD	C.K.N		20.11.12	
TITLE PIPE WITH TWO TRUNNIONS SA335P91		CARD CODE U 01	DRAWING No. PIPE SKETCH-06		REV 00

FIRST ANGLE PROJECTION(ALL DIMENSIONS IN MILLIMETRES)

CAUTION THE INFORMATION ON THIS DOCUMENT IS THE PROPERTY OF BHARAT HEAVY ELECTRICALS LIMITED. IT MUST NOT BE USED DIRECTLY OR INDIRECTLY IN ANY WAY DETRIMENTAL TO THE INTEREST OF THE COMPANY



PIPE OD RANGE	THK RANGE	QTY	STUB OD	STUB TYPE	QTY/PIPE		
219.1-406.4	25-55	2	100	STUB OD 60.3	1		
			108	TEMP STUB D108	2		
		4	139.7	ERV DIA 139.7	1		
			100	STUB OD 60.3	1		
		2	130	STUB OD 88.9	1		
			108	TEMP STUB D108	3		
		457-559	43-72	2	139.7	ERV DIA 139.7	1
					50	SW NB 25 CL 6000	1
				2	84	SW NB 50 CL 6000	1
					58	SW NB 25 CL 9000	1
630-864	21-85	2	100	THERMOWELL OD 100	2		
			114	TEMP STUB D114	3		
		1	58	SW NB 25 CL 9000	2		
2	108		TEMP STUB D108	1			
	1	58	SW NB 25 CL 9000	3			
114			TEMP STUB RC 1.5"	3			

NOTES:

- FOR EDGE PREPARATION REFER DRG NO:3-80-300-19825.
- ALL PIPES ARE UNDER THE PURVIEW OF IBR AND TO BE SUPPLIED WITH FORM-III A
- RAW MATERIAL FOR STRAIGHT PIPES AND RAW MATERIALS/FINISHED COMPONENTS FOR ATTACHMENTS WILL BE SUPPLIED BY BHEL.



BHARAT HEAVY ELECTRICALS LTD.,
PIPING CENTRE,
CHENNAI 600 017

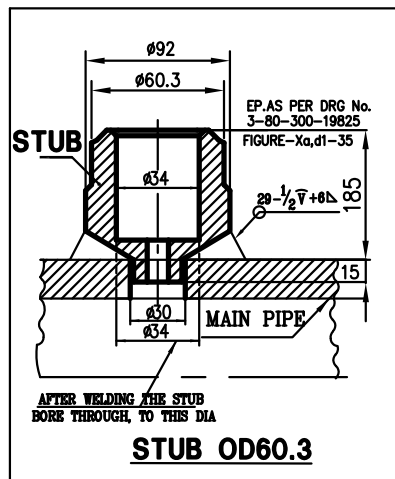
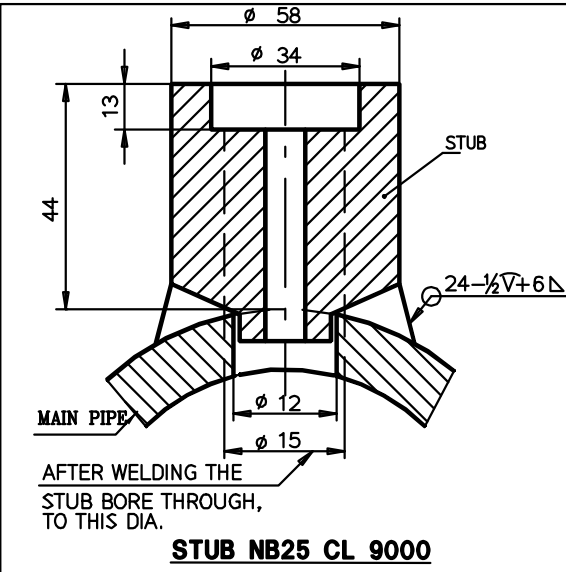
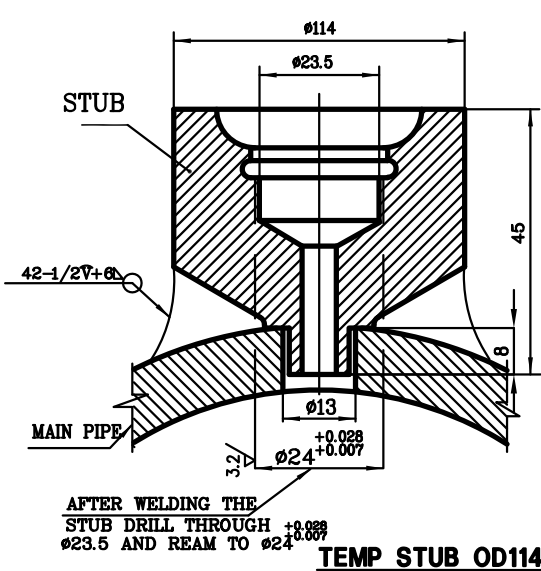
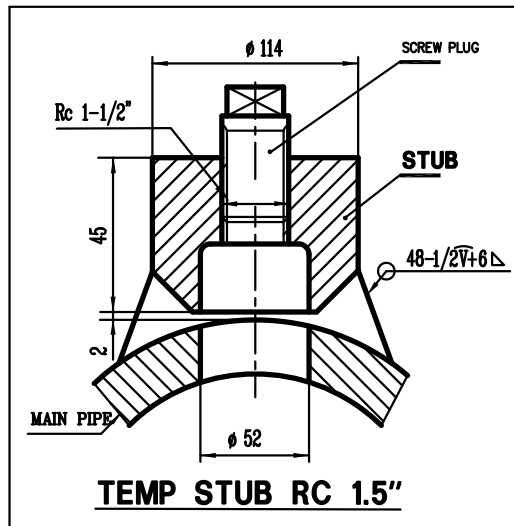
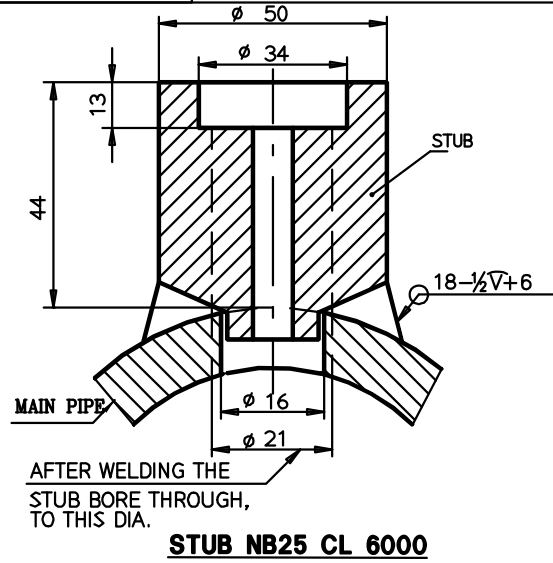
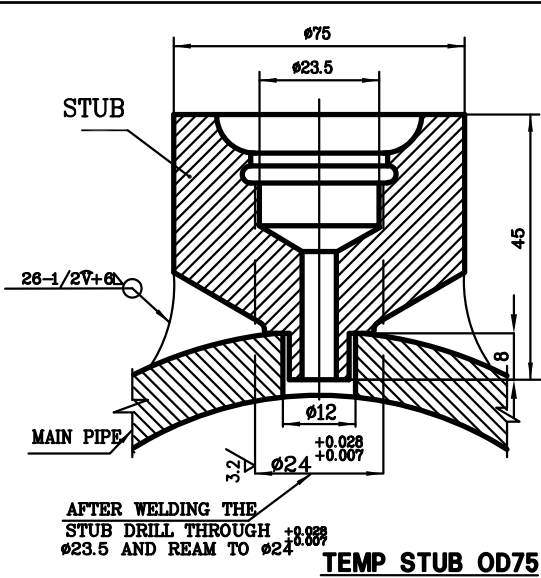
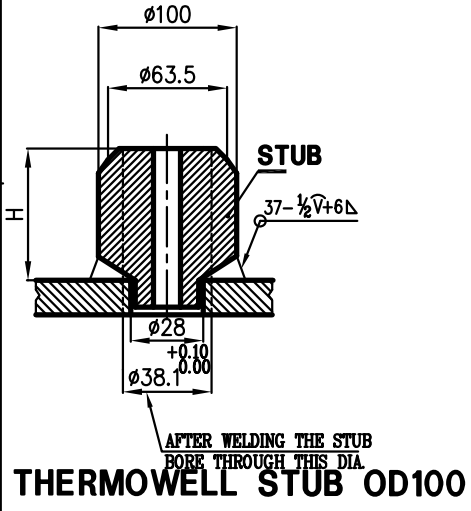
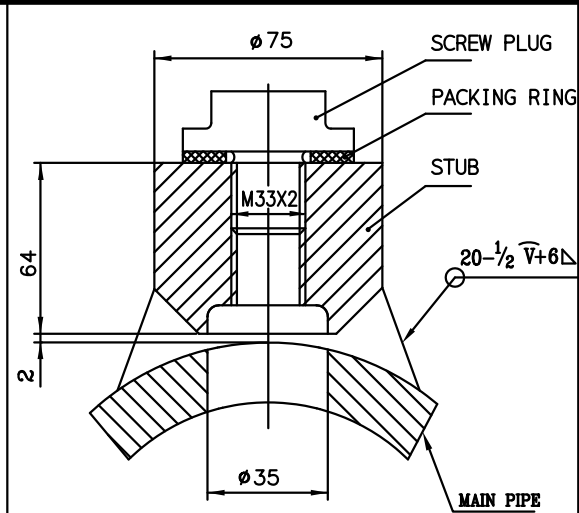
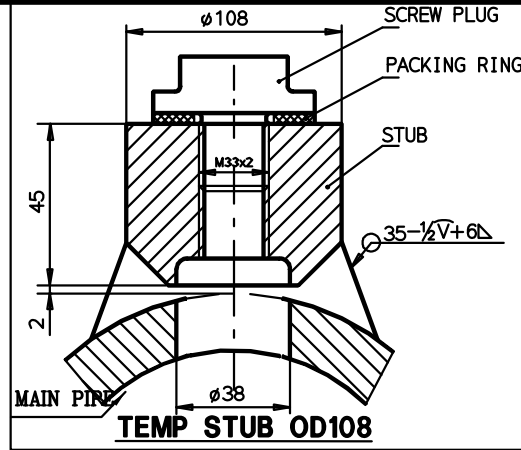
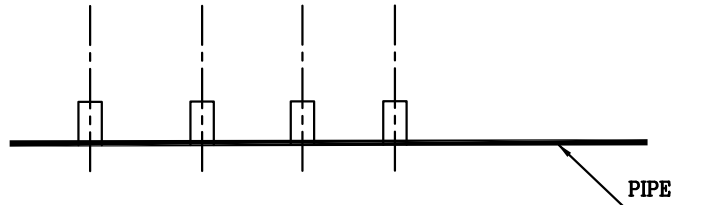
DRN	NAME	SIGN	DATE	NO OF ITEMS
CHD	M.R.K		20.11.12	
APPD	M.MANO		20.11.12	
	C.K.N		20.11.12	

TITLE
PIPE WITH 3 STUBS
SA335P91

CARD CODE	DRAWING No.	REV
U 01	PIPE SKETCH-07	00

FIRST ANGLE PROJECTION(ALL DIMENSIONS IN MILLIMETRES)

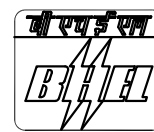
CAUTION THE INFORMATION ON THIS DOCUMENT IS THE PROPERTY OF BHARAT HEAVY ELECTRICALS LIMITED. IT MUST NOT BE USED DIRECTLY OR INDIRECTLY IN ANY WAY DETRIMENTAL TO THE INTEREST OF THE COMPANY



PIPE OD RANGE	THK RANGE	QTY	STUB OD	STUB TYPE	QTY/PIPE
219.1-406.4	25-55	2	50	SW NB 25 CL 6000	2
			108	TEMP STUB D108	2
		1	50	SW NB 25 CL 6000	4
			58	SW NB 25 CL 9000	3
457-559	43-72	1	114	TEMP STUB RC 1.5"	1
			58	SW NB 25 CL 9000	1
		3	114	TEMP STUB D114	1
			100	THERMOWELL OD 100 H 125	2
			92	STUB OD 60.3	1
			114	TEMP STUB D114	1
630-864	21-85	2	58	SW NB 25 CL 9000	2
			75	TEMP STUB D75	2
		2	58	SW NB 25 CL 9000	3
			114	TEMP STUB RC 1.5"	1
			58	SW NB 25 CL 9000	3
			75	TEMP STUB D75 L 64	1

NOTES:

- FOR EDGE PREPARATION REFER DRG NO:3-80-300-19825.
- ALL PIPES ARE UNDER THE PURVIEW OF IBR AND TO BE SUPPLIED WITH FORM-III A
- RAW MATERIAL FOR STRAIGHT PIPES AND RAW MATERIALS/FINISHED COMPONENTS FOR ATTACHMENTS WILL BE SUPPLIED BY BHEL.



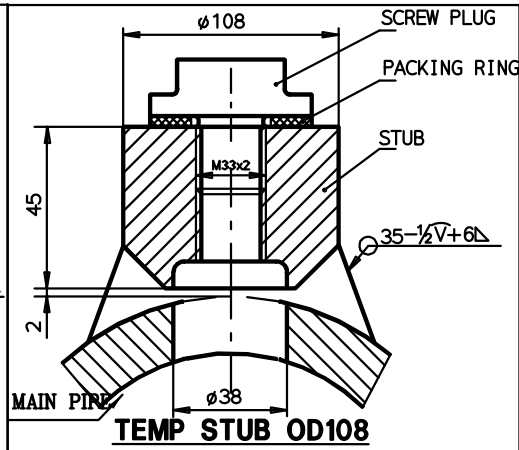
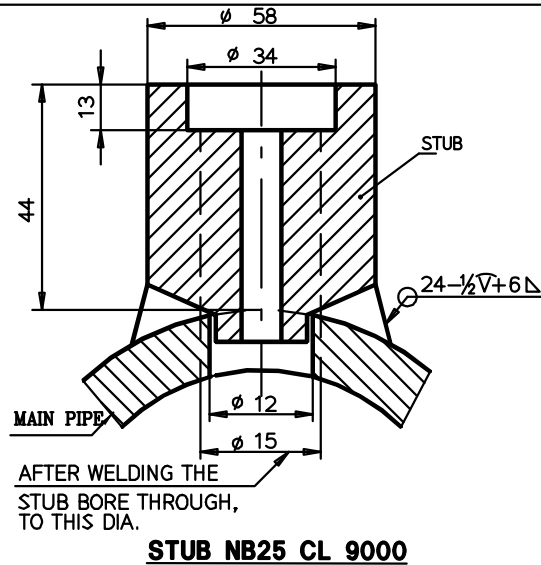
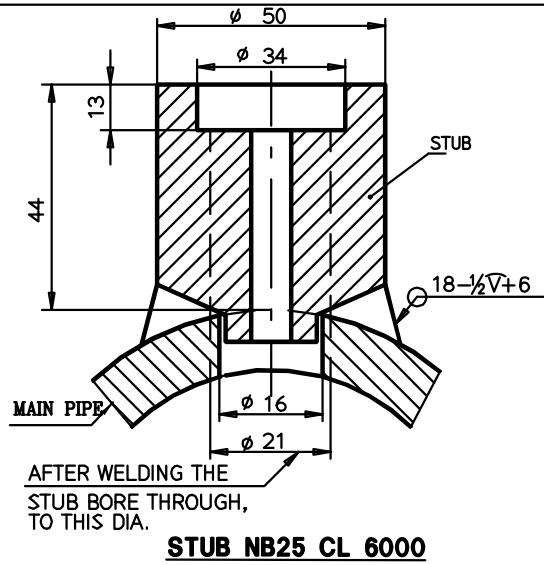
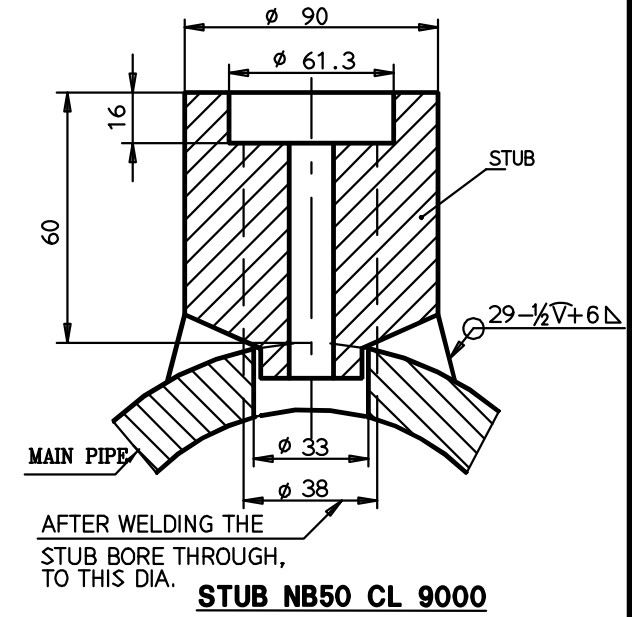
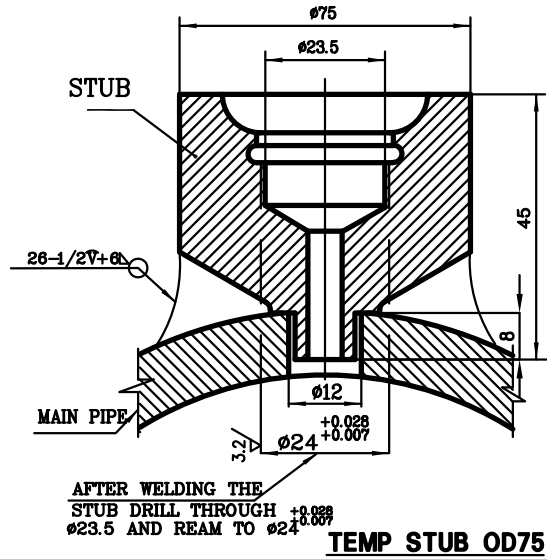
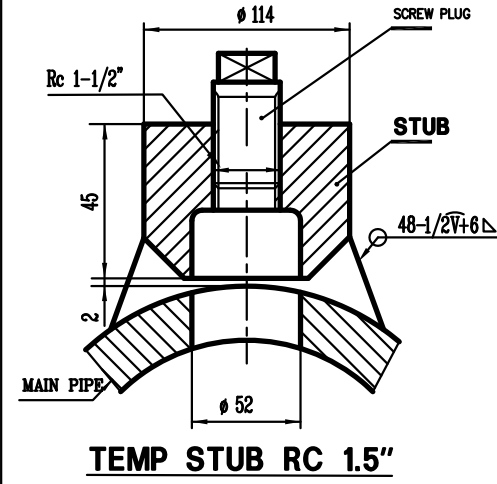
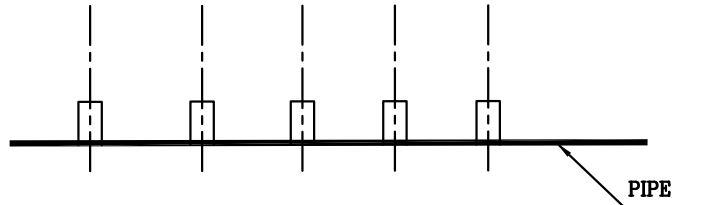
BHARAT HEAVY ELECTRICALS LTD.,
PIPING CENTRE,
CHENNAI 600 017

DRN	NAME	SIGN	DATE	NO OF ITEMS
CHD	M.R.K		20.11.12	
APPD	M.MANO		20.11.12	
	C.K.N		20.11.12	

TITLE
PIPE WITH 4 STUBS
SA335P91

CARD CODE	DRAWING No.	REV
U 01	PIPE SKETCH-08	00

CAUTION THE INFORMATION ON THIS DOCUMENT IS THE PROPERTY OF BHARAT HEAVY ELECTRICALS LIMITED. IT MUST NOT BE USED DIRECTLY OR INDIRECTLY IN ANY WAY DETRIMENTAL TO THE INTEREST OF THE COMPANY



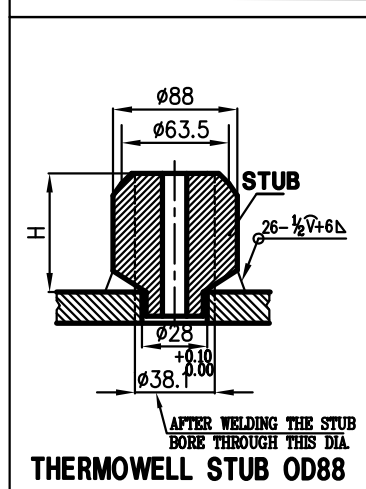
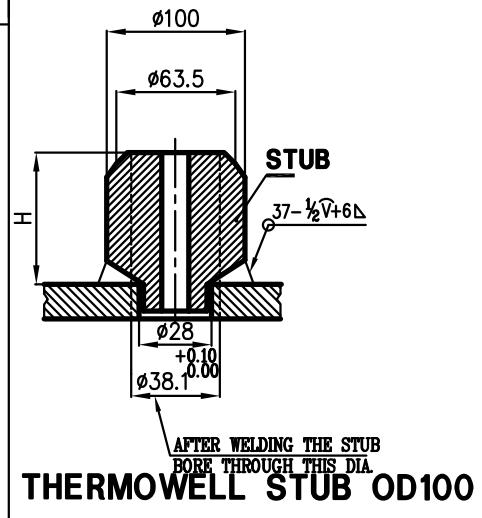
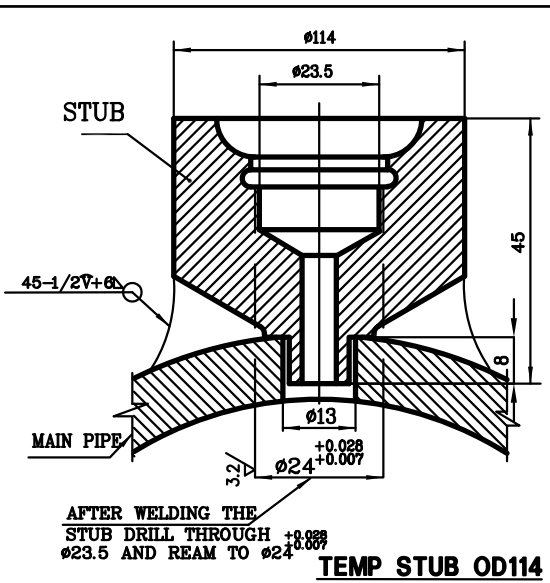
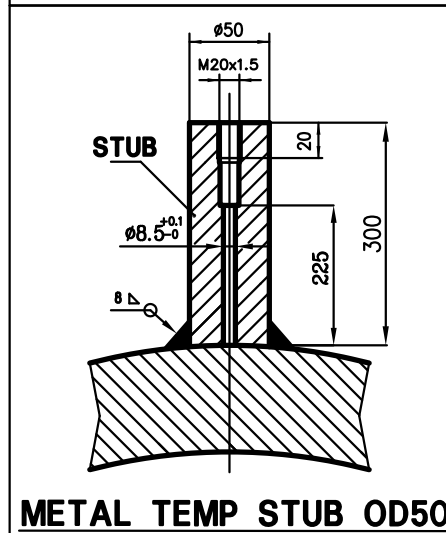
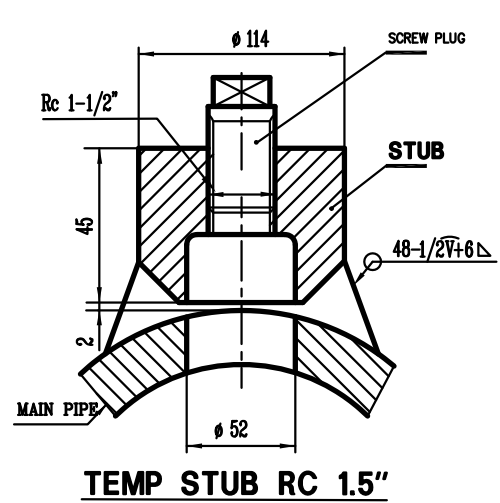
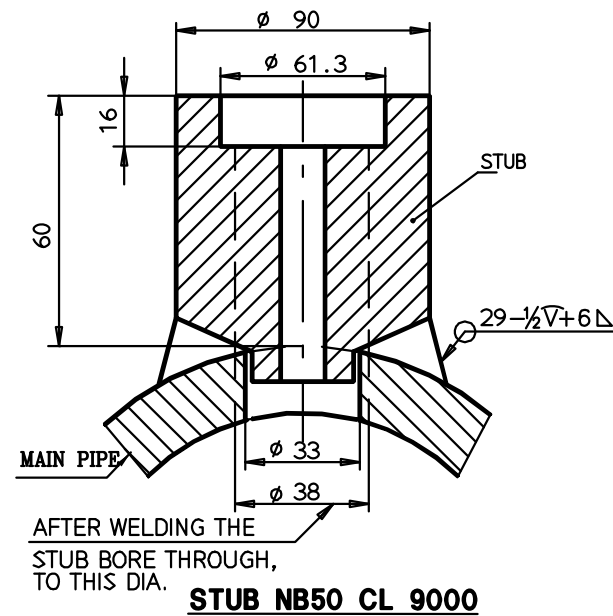
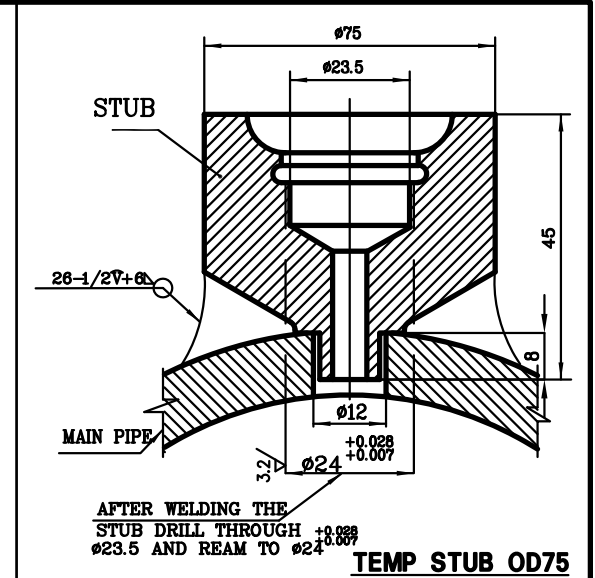
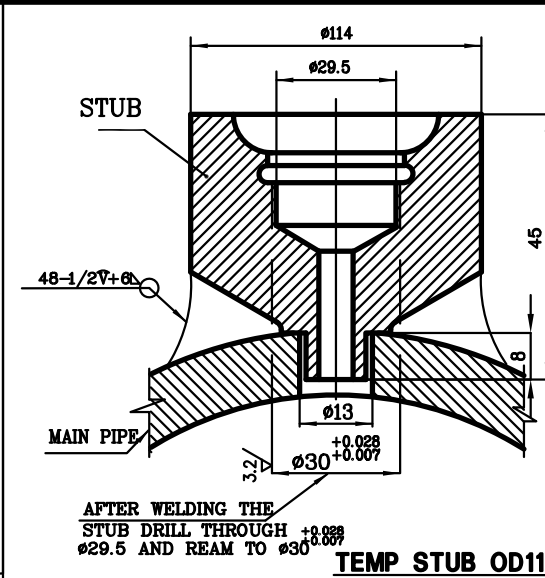
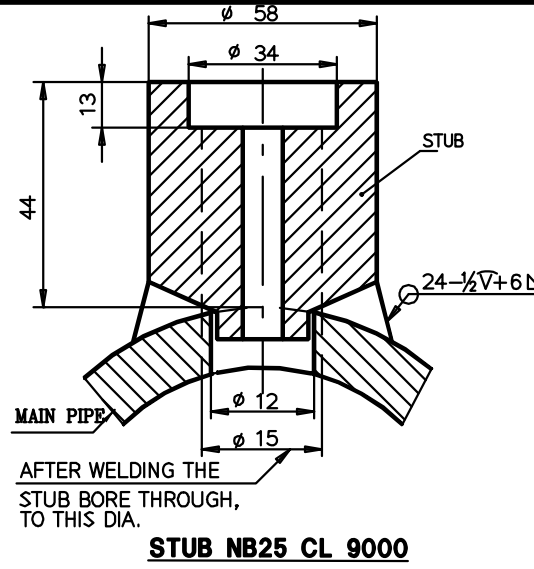
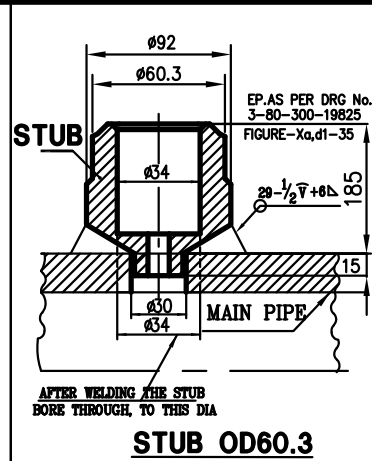
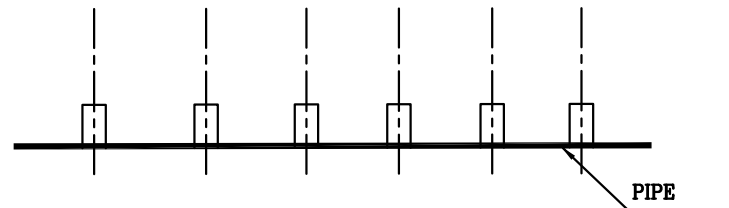
219.1-406.4	25-55	2	50	SW NB 25 CL 6000	3
			108	TEMP STUB D108	2
457-559	43-72	2	58	SW NB 25 CL 9000	3
			114	TEMP STUB RC 1.5"	2
630-864	21-85	1	114	TEMP STUB RC 1.5"	5
			58	SW NB 25 CL 9000	2
		2	114	TEMP STUB RC 1.5"	3
			58	SW NB 25 CL 9000	2
			90	SW NB 50 CL 9000	1
75	TEMP STUB D75	2			
5	58	SW NB 25 CL 9000	5		
PIPE OD RANGE	THK RANGE	QTY	STUB OD	STUB TYPE	QTY/PIPE

NOTES:

- FOR EDGE PREPARATION REFER DRG NO:3-80-300-19825.
- ALL PIPES ARE UNDER THE PURVIEW OF IBR AND TO BE SUPPLIED WITH FORM-III A
- RAW MATERIAL FOR STRAIGHT PIPES AND RAW MATERIALS/FINISHED COMPONENTS FOR ATTACHMENTS WILL BE SUPPLIED BY BHEL.

	BHARAT HEAVY ELECTRICALS LTD.,		DRN	NAME	SIGN	DATE	NO OF ITEMS
	PIPING CENTRE,		CHD	M.R.K		20.11.12	
	CHENNAI 600 017		APPD	M.MANO		20.11.12	
TITLE			CARD CODE	DRAWING No.		REV	
PIPE WITH 5 STUBS SA335P91			U 01	PIPE SKETCH-09		00	

CAUTION THE INFORMATION ON THIS DOCUMENT IS THE PROPERTY OF BHARAT HEAVY ELECTRICALS LIMITED. IT MUST NOT BE USED DIRECTLY OR INDIRECTLY IN ANY WAY DETRIMENTAL TO THE INTEREST OF THE COMPANY



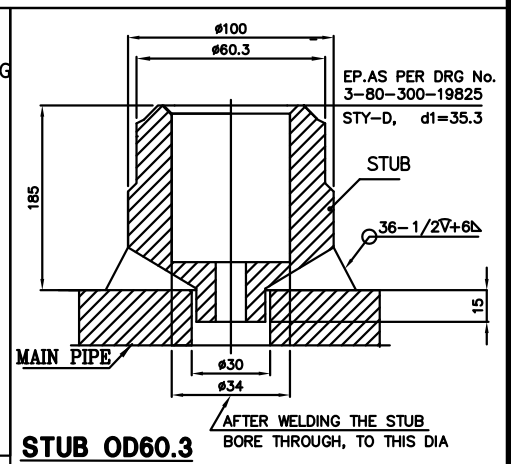
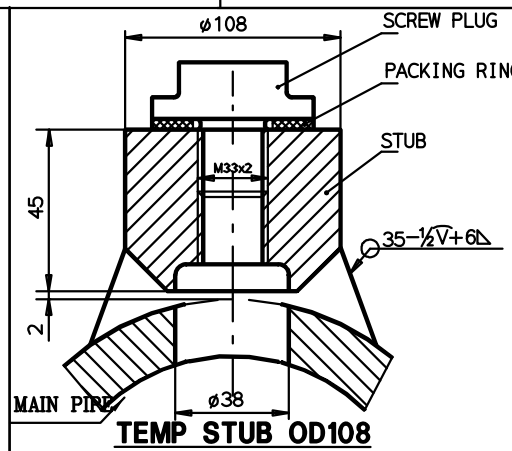
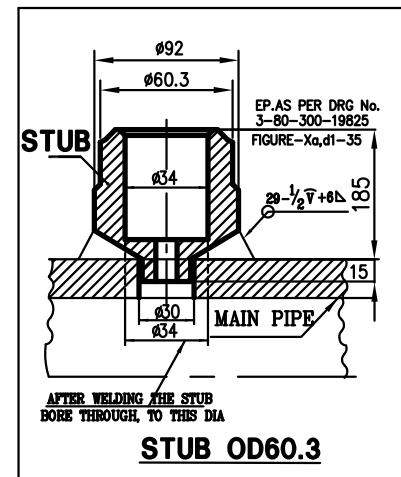
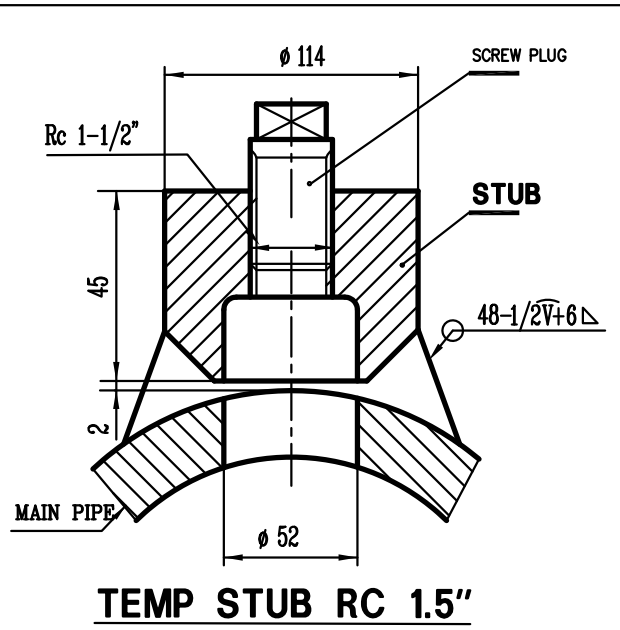
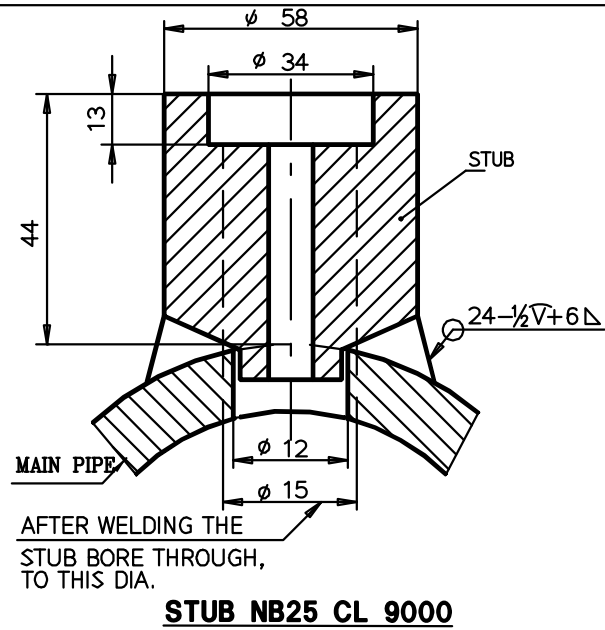
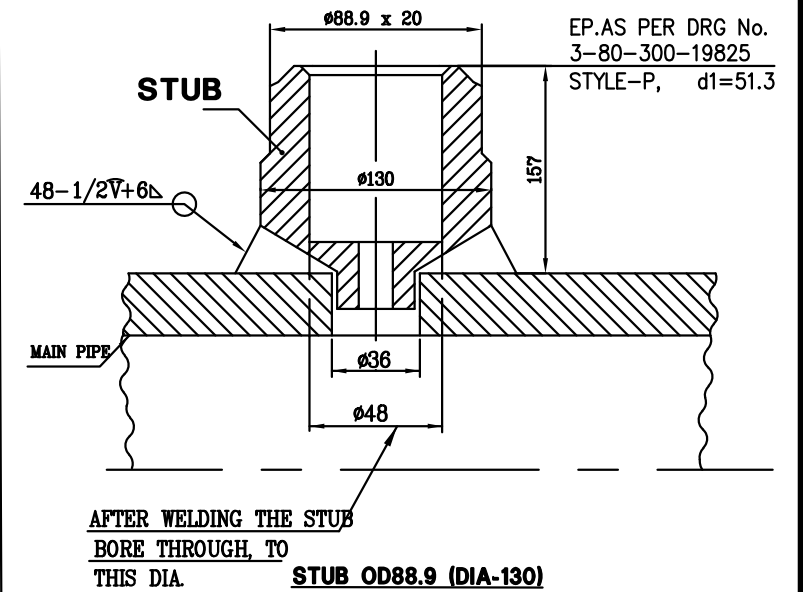
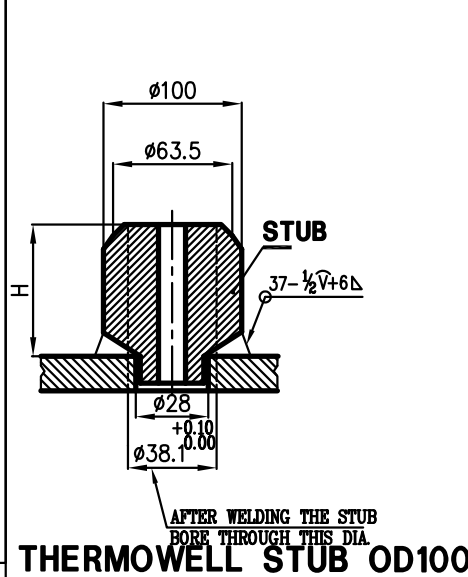
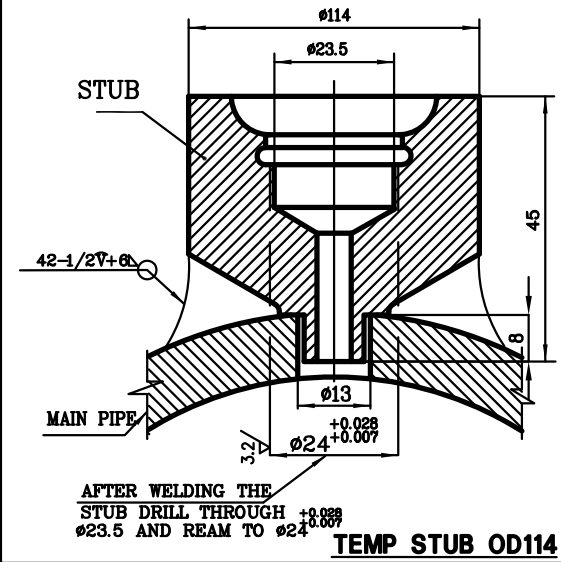
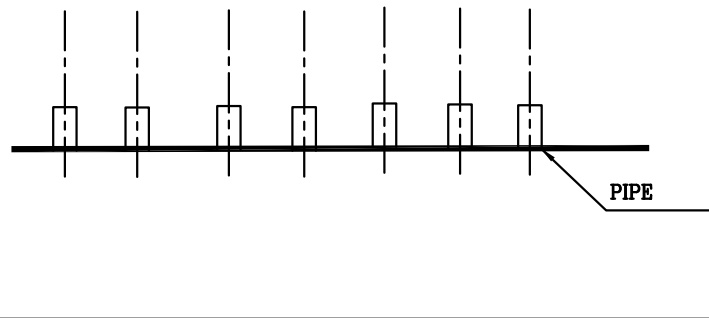
PIPE OD RANGE	THK RANGE	QTY	STUB OD	STUB TYPE	QTY/PIPE
457-559	43-72	2	50	METAL TEMP	1
			92	STUB OD 60.3	1
			58	SW NB 25 CL 9000	1
			114	TEMP STUB D114	2
			100	THERMOWELL OD 60.3 H 107	1
630-864	21-85	6	58	SW NB 25 CL 9000	2
			114	TEMP STUB RC 1.5"	4
			58	SW NB 25 CL 9000	3
			114	TEMP STUB D114	1
			100	THERMOWELL OD 100 H 101	2
		1	58	SW NB 25 CL 9000	2
			75	TEMP STUB D75	2
			88	THERMOWELL OD 60.3	2
			58	SW NB 25 CL 9000	2
			90	SW NB 50 CL 9000	1
		2	114	TEMP STUB RC 1.5"	3

NOTES:

- FOR EDGE PREPARATION REFER DRG NO:3-80-300-19825.
- ALL PIPES ARE UNDER THE PURVIEW OF IBR AND TO BE SUPPLIED WITH FORM-III A
- RAW MATERIAL FOR STRAIGHT PIPES AND RAW MATERIALS/FINISHED COMPONENTS FOR ATTACHMENTS WILL BE SUPPLIED BY BHEL.

	BHARAT HEAVY ELECTRICALS LTD.,		DRN	NAME	SIGN	DATE	NO OF ITEMS
	PIPING CENTRE,		CHD	M.R.K		20.11.12	
	CHENNAI 600 017		APPD	M.MANO		20.11.12	
TITLE			CARD CODE	DRAWING No.		REV	
PIPE WITH 6 STUBS SA335P91			U 01	PIPE SKETCH-10		00	

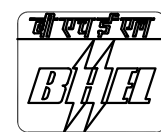
CAUTION THE INFORMATION ON THIS DOCUMENT IS THE PROPERTY OF BHARAT HEAVY ELECTRICALS LIMITED. IT MUST NOT BE USED DIRECTLY OR INDIRECTLY IN ANY WAY DETRIMENTAL TO THE INTEREST OF THE COMPANY



PIPE OD RANGE	THK RANGE	QTY	STUB OD	STUB TYPE	QTY/PIPE
457-559	43-72	5	92	STUB OD 60.3	1
			58	SW NB 25 CL 9000	1
			114	TEMP STUB D114	2
			114	TEMP STUB RC 1.5"	2
			100	THERMOWELL OD 60.3 H 107	1
		2	100	STUB OD 60.3	1
			130	STUB OD 88.9	1
			58	SW NB 25 CL 9000	2
			108	TEMP STUB D108	3

NOTES:

- FOR EDGE PREPARATION REFER DRG NO:3-80-300-19825.
- ALL PIPES ARE UNDER THE PURVIEW OF IBR AND TO BE SUPPLIED WITH FORM-III
- RAW MATERIAL FOR STRAIGHT PIPES AND RAW MATERIALS/FINISHED COMPONENTS FOR ATTACHMENTS WILL BE SUPPLIED BY BHEL.

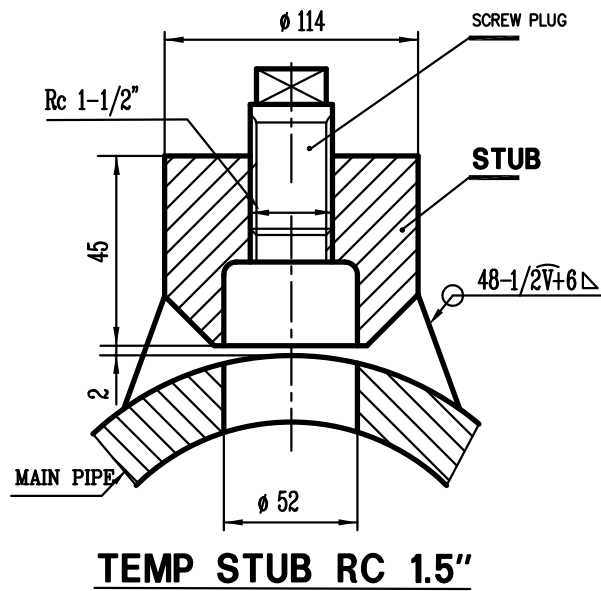
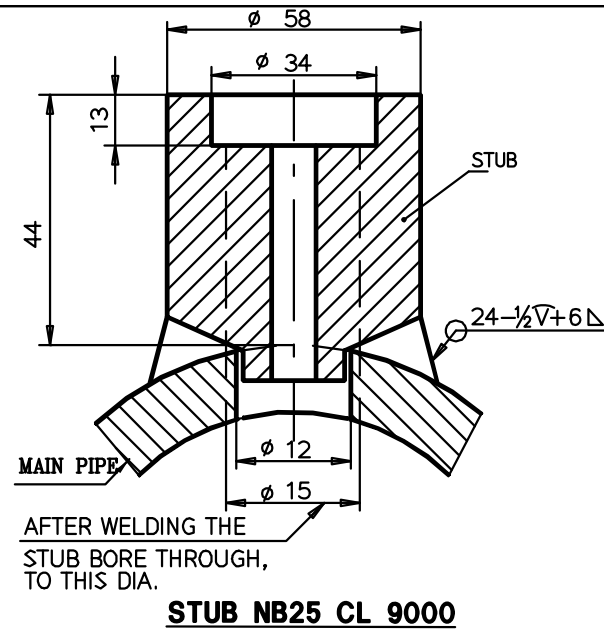
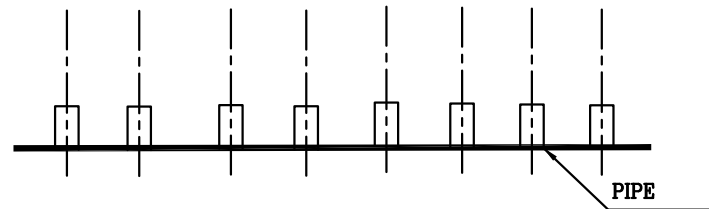


BHARAT HEAVY ELECTRICALS LTD.,
PIPING CENTRE,
CHENNAI 600 017

DRN	NAME	SIGN	DATE	NO OF ITEMS
CHD	MANOJ		20.11.12	
APPD	M.MANO		20.11.12	
	C.K.N		20.11.12	


TITLE	CARD CODE	DRAWING No.	REV
PIPE WITH 7 STUBS	U 01	PIPE SKETCH-11	00

CAUTION THE INFORMATION ON THIS DOCUMENT IS THE PROPERTY OF BHARAT HEAVY ELECTRICALS LIMITED. IT MUST NOT BE USED DIRECTLY OR INDIRECTLY IN ANY WAY DETRIMENTAL TO THE INTEREST OF THE COMPANY

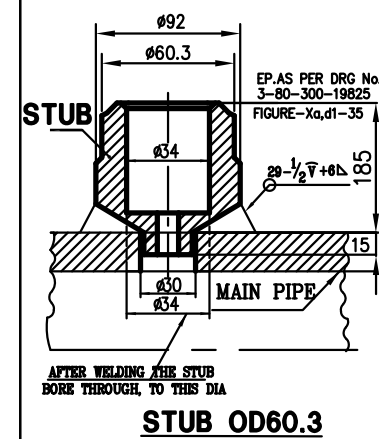
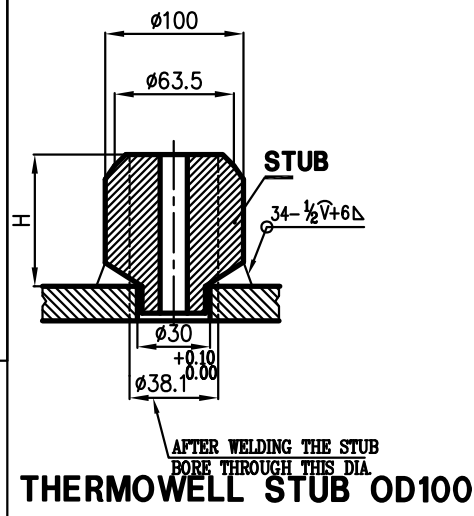
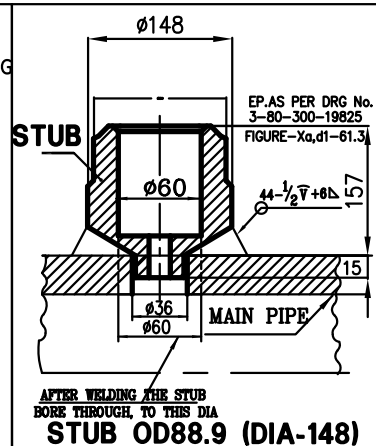
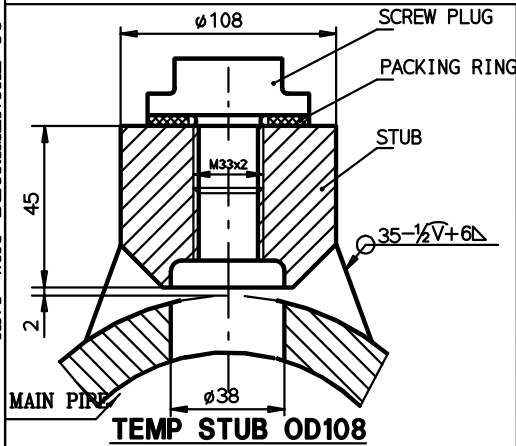
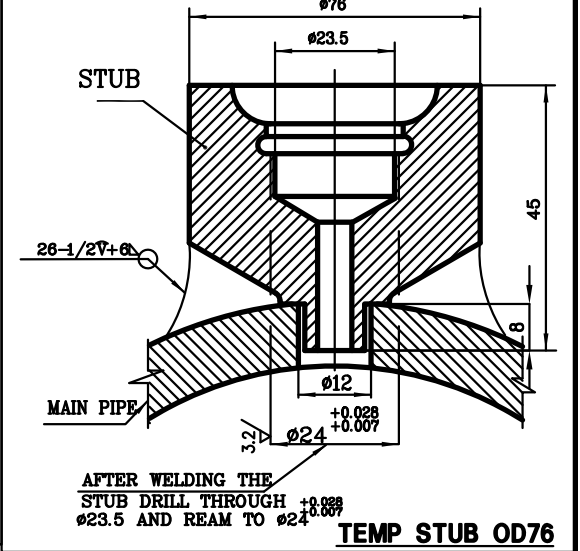
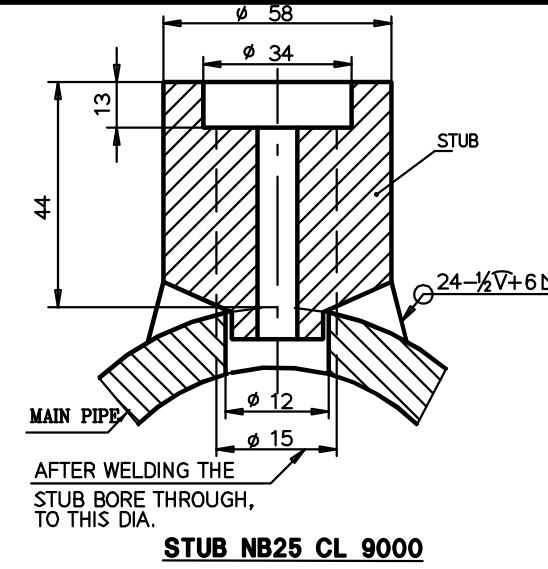
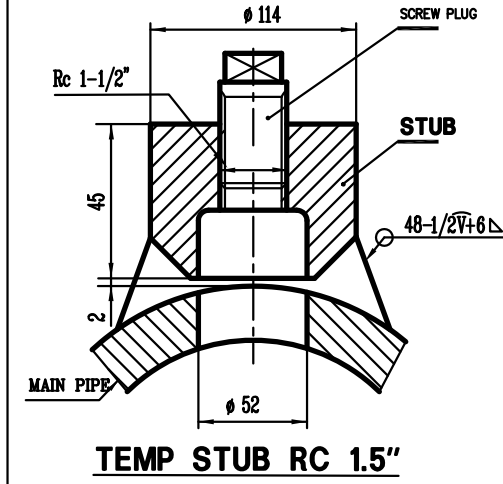
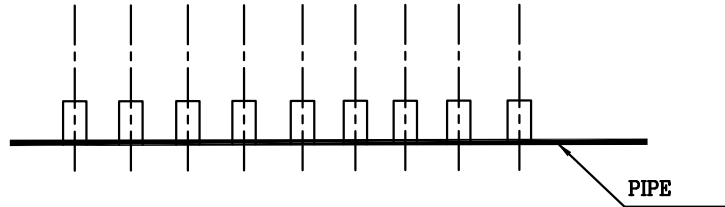


NOTES:

01. FOR EDGE PREPARATION REFER DRG NO:3-80-300-19825.
02. ALL PIPES ARE UNDER THE PURVIEW OF IBR AND TO BE SUPPLIED WITH FORM-III A
03. RAW MATERIAL FOR STRAIGHT PIPES AND RAW MATERIALS/FINISHED COMPONENTS FOR ATTACHMENTS WILL BE SUPPLIED BY BHEL.

457-559	43-72	2	58	SW NB 25 CL 9000	5		
			114	TEMP STUB RC 1.5"	3		
PIPE OD RANGE		THK RANGE	QTY	STUB OD	STUB TYPE	QTY/PIPE	
 BHARAT HEAVY ELECTRICALS LTD., PIPING CENTRE, CHENNAI 600 017			DRN	NAME	SIGN	DATE	NO OF ITEMS
			CHD	MANOJ		20.11.12	
			APPD	M.MANO		20.11.12	
TITLE			CARD CODE	DRAWING No.		REV	
PIPE WITH 8 STUBS			U 01	PIPE SKETCH-12		00	

CAUTION THE INFORMATION ON THIS DOCUMENT IS THE PROPERTY OF BHARAT HEAVY ELECTRICALS LIMITED. IT MUST NOT BE USED DIRECTLY OR INDIRECTLY IN ANY WAY DETRIMENTAL TO THE INTEREST OF THE COMPANY



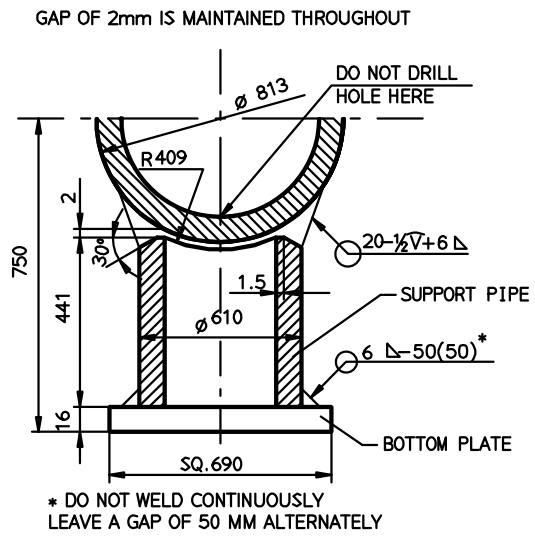
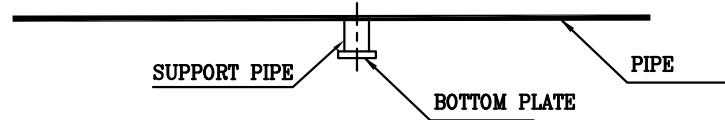
PIPE OD RANGE	THK RANGE	QTY	STUB OD	STUB TYPE	QTY/PIPE
219.1-406.4	25-55	4	58	SW NB 25 CL 9000	5
			108	TEMP STUB D108	1
			76	TEMP STUB D76	1
457-559	43-72	4	100	THERMOWELL OD 100	2
			92	STUB OD 60.3	1
		2	148	STUB OD 88.9	1
			58	SW NB 25 CL 9000	2
			114	TEMP STUB RC 1.5"	5
			92	STUB OD 60.3	1
630-864	21-85	4	58	SW NB 25 CL 9000	5
			114	TEMP STUB RC 1.5"	3
			58	SW NB 25 CL 9000	4
			114	TEMP STUB RC 1.5"	5

NOTES:

- FOR EDGE PREPARATION REFER DRG NO:3-80-300-19825.
- ALL PIPES ARE UNDER THE PURVIEW OF IBR AND TO BE SUPPLIED WITH FORM-III A
- RAW MATERIAL FOR STRAIGHT PIPES AND RAW MATERIALS/FINISHED COMPONENTS FOR ATTACHMENTS WILL BE SUPPLIED BY BHEL.

	BHARAT HEAVY ELECTRICALS LTD.,		DRN	NAME	SIGN	DATE	NO OF ITEMS
	PIPING CENTRE,		CHD	M.R.K		20.11.12	
	CHENNAI 600 017		APPD	M.MANO		20.11.12	
TITLE			CARD CODE	DRAWING No.		REV	
PIPE WITH 9 STUBS SA335P91			U 01	PIPE SKETCH-13		00	

CAUTION THE INFORMATION ON THIS DOCUMENT IS THE PROPERTY OF BHARAT HEAVY ELECTRICALS LIMITED. IT MUST NOT BE USED DIRECTLY OR INDIRECTLY IN ANY WAY DETRIMENTAL TO THE INTEREST OF THE COMPANY




BOTTOM PLATE & SUPPORT PIPE DETAIL

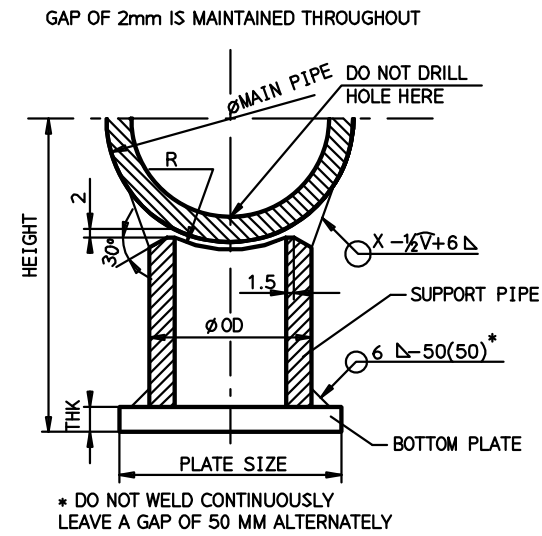
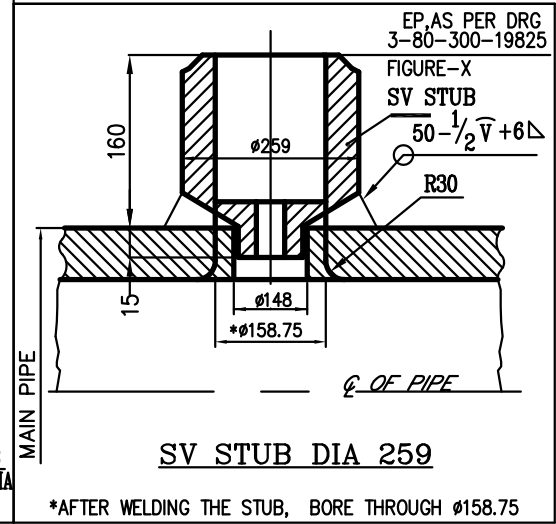
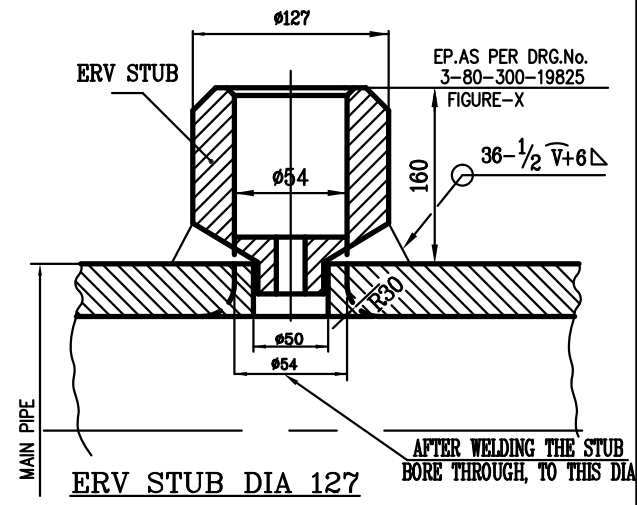
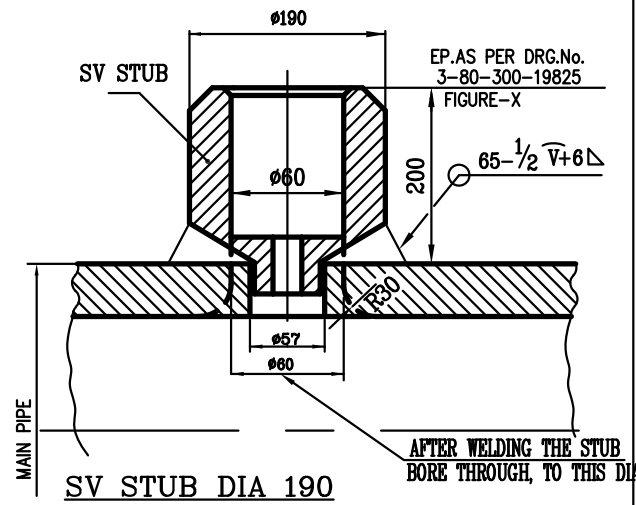
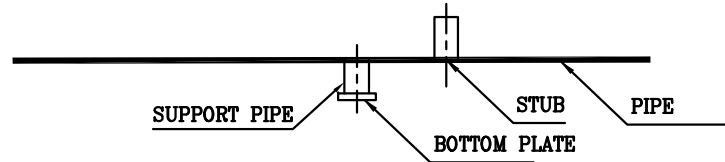
630-864	21-85	4	SUPPORT PIPE 610X20 & BOTTOM PLATE	1
PIPE OD RANGE	THK RANGE	QTY	ATTACHMENT TYPE	QTY/PIPE

NOTES:

01. FOR EDGE PREPARATION REFER DRG NO:3-80-300-19825.
02. ALL PIPES ARE UNDER THE PURVIEW OF IBR AND TO BE SUPPLIED WITH FORM-III A
03. RAW MATERIAL FOR STRAIGHT PIPES AND RAW MATERIALS/FINISHED COMPONENTS FOR ATTACHMENTS WILL BE SUPPLIED BY BHEL.
04. MAIN PIPE SPECIFICATION SHALL BE SA335P91.

 BHARAT HEAVY ELECTRICALS LTD., PIPING CENTRE, CHENNAI 600 017	DRN	NAME	SIGN	DATE	NO OF ITEMS
	CHD	M.R.K		20.11.12	
	APPD	M.MANO		20.11.12	
TITLE	CARD CODE	DRAWING No.		REV	
PIPE WITH BOTTOM PLATE & SUPPORT PIPE	U 01	PIPE SKETCH-14		00	

CAUTION THE INFORMATION ON THIS DOCUMENT IS THE PROPERTY OF BHARAT HEAVY ELECTRICALS LIMITED. IT MUST NOT BE USED DIRECTLY OR INDIRECTLY IN ANY WAY DETRIMENTAL TO THE INTEREST OF THE COMPANY



BOTTOM PLATE & SUPPORT PIPE DETAIL

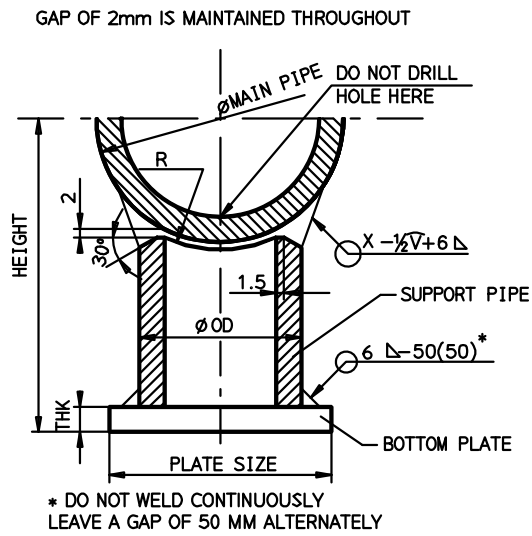
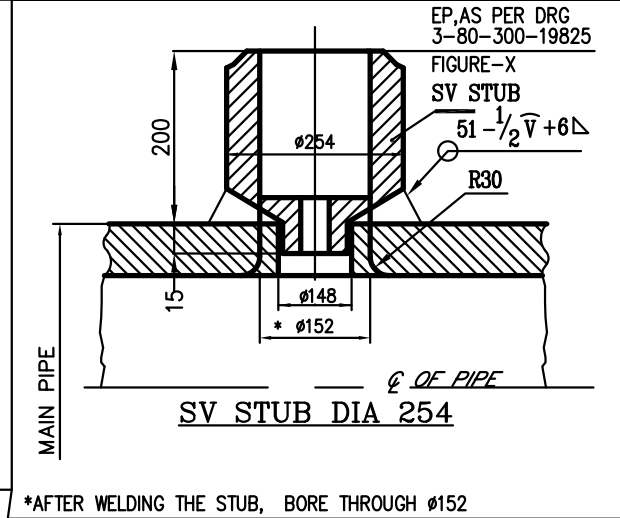
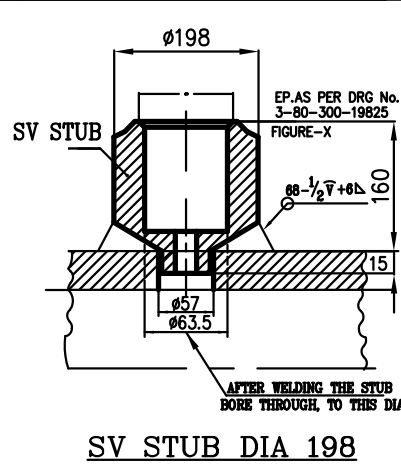
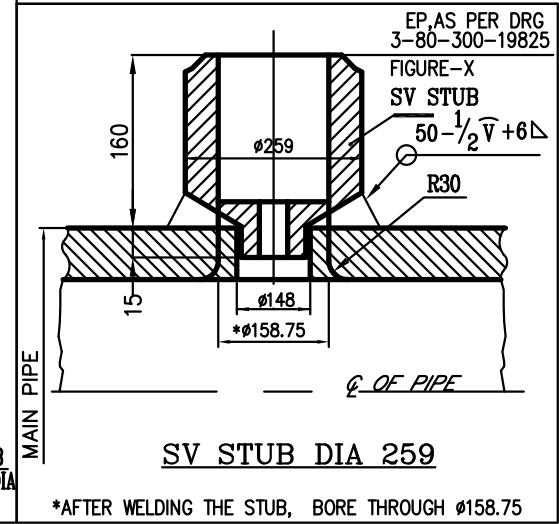
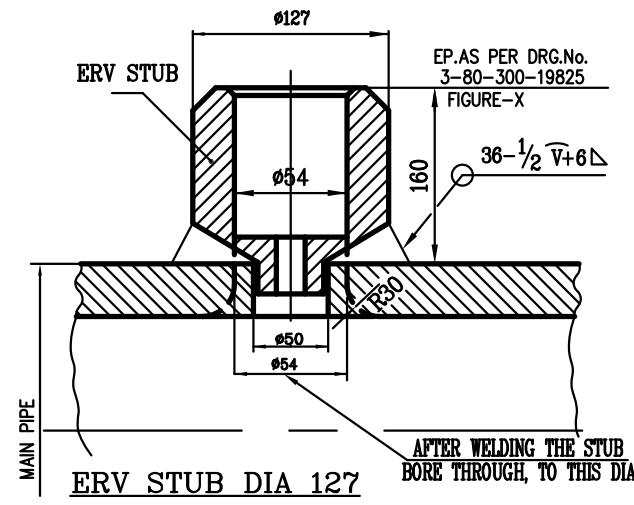
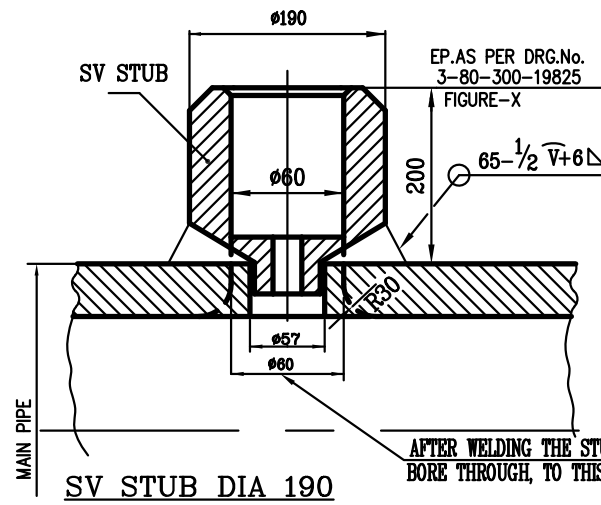
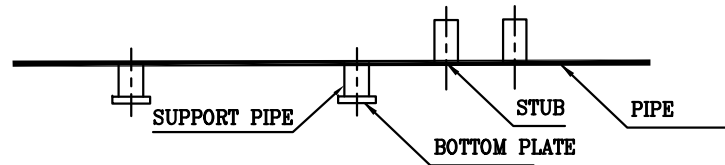
PIPE OD RANGE	THK RANGE	QTY	ATTACHMENT TYPE	QTY/PIPE	STUB OD	STUB TYPE	QTY/PIPE
457-559	43-72	8	SUPPORT PIPE 219.1X25 & BOTTOM PLATE	1 SET	127	ERV DIA 127	1
		2	SUPPORT PIPE 219.1X25 & BOTTOM PLATE	1 SET	190	SV DIA 190	1
		4	SUPPORT PIPE 323.9X31 & BOTTOM PLATE	1 SET	127	ERV DIA 127	1
630-864	21-85	2	SUPPORT PIPE 610X20 & BOTTOM PLATE	1 SET	259	SV DIA 259	1

NOTES:

- FOR EDGE PREPARATION REFER DRG NO:3-80-300-19825.
- ALL PIPES ARE UNDER THE PURVIEW OF IBR AND TO BE SUPPLIED WITH FORM-III
- RAW MATERIAL FOR STRAIGHT PIPES AND RAW MATERIALS/FINISHED COMPONENTS FOR ATTACHMENTS WILL BE SUPPLIED BY BHEL.
- MAIN PIPE SPECIFICATION SHALL BE SA335P91.

	BHARAT HEAVY ELECTRICALS LTD., PIPING CENTRE, CHENNAI 600 017		DRN	NAME	SIGN	DATE	NO OF ITEMS
	CHD	M.MANO		20.11.12			
	APPD	C.K.N		20.11.12			
TITLE PIPE WITH BOTTOM PLATE & SUPPORT PIPE AND 1 STUB			CARD CODE	DRAWING No.		REV	
			U 01	PIPE SKETCH-15		00	

CAUTION THE INFORMATION ON THIS DOCUMENT IS THE PROPERTY OF BHARAT HEAVY ELECTRICALS LIMITED. IT MUST NOT BE USED DIRECTLY OR INDIRECTLY IN ANY WAY DETRIMENTAL TO THE INTEREST OF THE COMPANY



BOTTOM PLATE & SUPPORT PIPE DETAIL

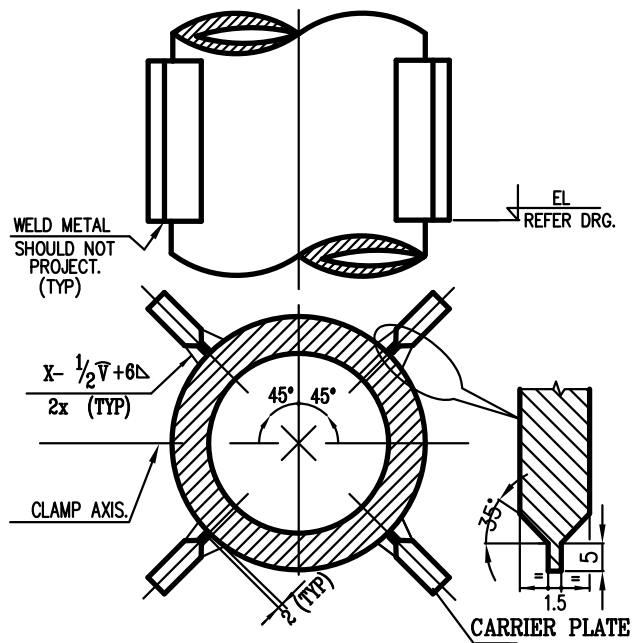
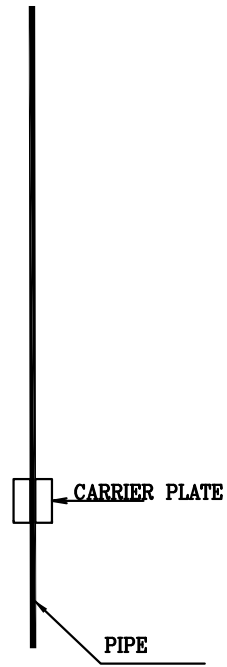
PIPE OD RANGE	THK RANGE	QTY	ATTACHMENT TYPE	QTY/PIPE	STUB OD	STUB TYPE	QTY/PIPE
457-559	43-72	2	SUPPORT PIPE 219.1X25 & BOTTOM PLATE	2 SETS	127	ERV DIA 127	1
		8	SUPPORT PIPE 219.1X25 & BOTTOM PLATE	2 SETS	190	SV DIA 190	1
		2	SUPPORT PIPE 219.1X25 & BOTTOM PLATE	2 SETS	198	SV DIA 198	2
630-864	21-85	4	SUPPORT PIPE 610X20 & BOTTOM PLATE	2 SETS	127	ERV DIA 127	1
		4	SUPPORT PIPE 610X20 & BOTTOM PLATE	2 SETS	254	SV DIA 254	1
		2	SUPPORT PIPE 610X20 & BOTTOM PLATE	2 SETS	259	SV DIA 259	2

NOTES:

- FOR EDGE PREPARATION REFER DRG NO:3-80-300-19825.
- ALL PIPES ARE UNDER THE PURVIEW OF IBR AND TO BE SUPPLIED WITH FORM-III A
- RAW MATERIAL FOR STRAIGHT PIPES AND RAW MATERIALS/FINISHED COMPONENTS FOR ATTACHMENTS WILL BE SUPPLIED BY BHEL.
- MAIN PIPE SPECIFICATION SHALL BE SA335P91.

	BHARAT HEAVY ELECTRICALS LTD.,		DRN	NAME	SIGN	DATE	NO OF ITEMS
	PIPING CENTRE,		CHD	M.R.K		20.11.12	
	CHENNAI 600 017		APPD	M.MANO		20.11.12	
TITLE			CARD CODE	DRAWING No.		REV	
PIPE WITH 2 SETS OF BOTTOM PLATE & SUPPORT PIPE AND 2 STUB			U 01	PIPE SKETCH-16		00	

CAUTION THE INFORMATION ON THIS DOCUMENT IS THE PROPERTY OF BHARAT HEAVY ELECTRICALS LIMITED. IT MUST NOT BE USED DIRECTLY OR INDIRECTLY IN ANY WAY DETRIMENTAL TO THE INTEREST OF THE COMPANY




CARRIER PLATE DETAIL

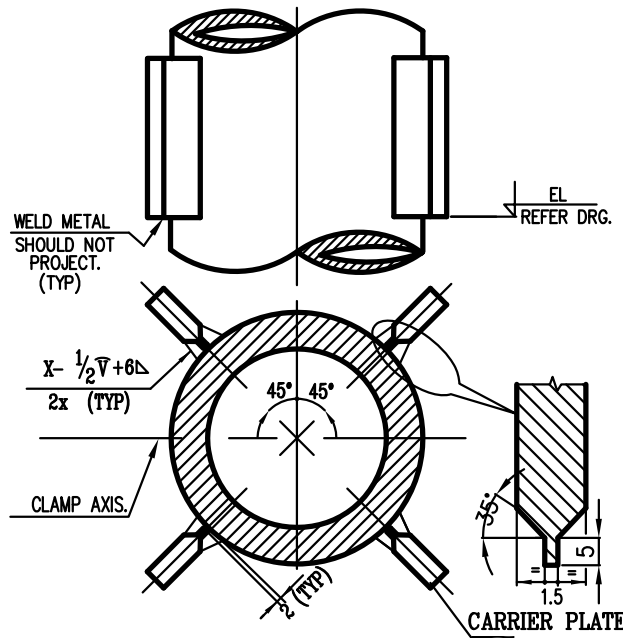
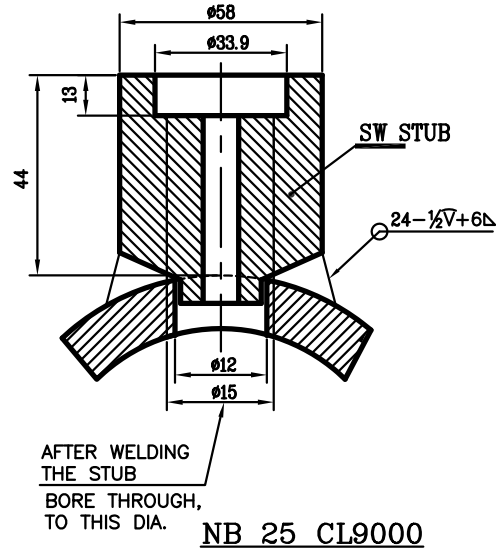
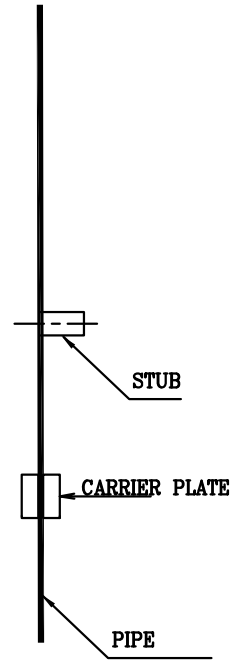
NOTES:

01. FOR EDGE PREPARATION REFER DRG NO:3-80-300-19825.
02. ALL PIPES ARE UNDER THE PURVIEW OF IBR AND TO BE SUPPLIED WITH FORM-III A
03. RAW MATERIAL FOR STRAIGHT PIPES AND RAW MATERIALS/FINISHED COMPONENTS FOR ATTACHMENTS WILL BE SUPPLIED BY BHEL.
04. CARRIER PLATE SPECIFICATION SHALL BE SA387GRP91

219.1-406.4	25-55	43	CP 30X50X150	1SET
		4	CP 40X50X170	1SET
457-559	43-72	10	CP 30X50X150	1SET
		56	CP 40X50X170	1SET
630-864	21-85	13	CP 30X50X150	1SET
		47	CP 40X50X170	1SET
PIPE OD RANGE	THK RANGE	QTY	CP SIZE	QTY/PIPE

	BHARAT HEAVY ELECTRICALS LTD., PIPING CENTRE, CHENNAI 600 017		DRN	NAME	SIGN	DATE	NO OF ITEMS
			CHD	M.MANO		20.11.12	
			APPD	C.K.N		20.11.12	
TITLE PIPE WITH CARRIER PLATE SA335P91			CARD CODE	DRAWING No.			REV
			U 01	PIPE SKETCH-17			00

CAUTION THE INFORMATION ON THIS DOCUMENT IS THE PROPERTY OF BHARAT HEAVY ELECTRICALS LIMITED. IT MUST NOT BE USED DIRECTLY OR INDIRECTLY IN ANY WAY DETRIMENTAL TO THE INTEREST OF THE COMPANY



CARRIER PLATE DETAIL

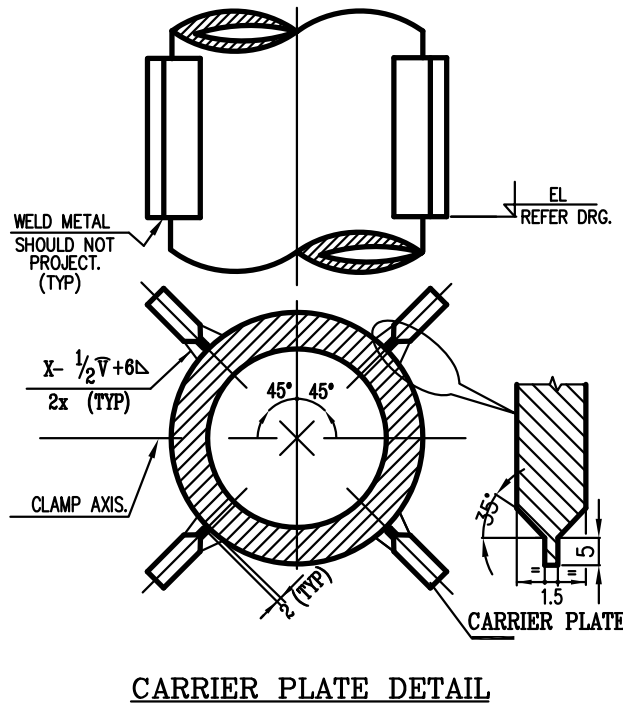
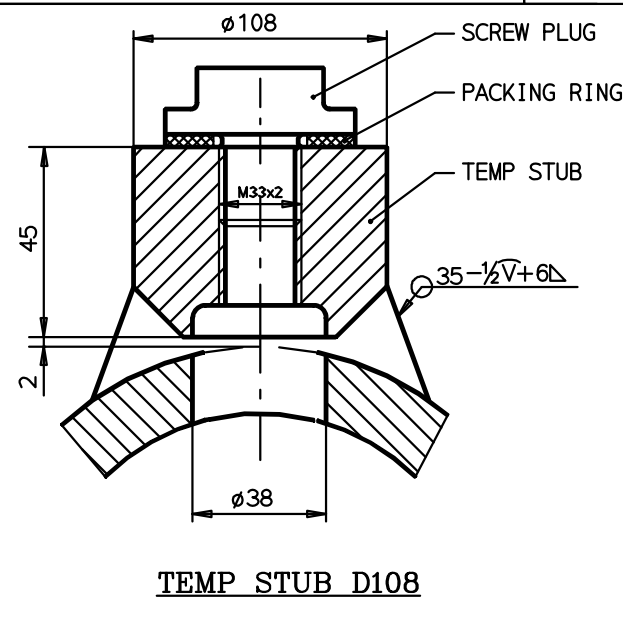
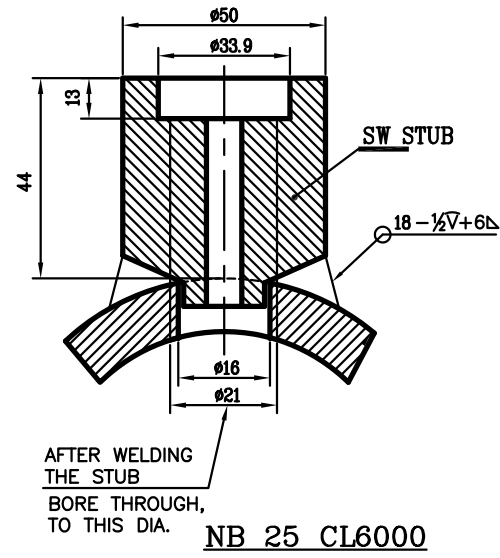
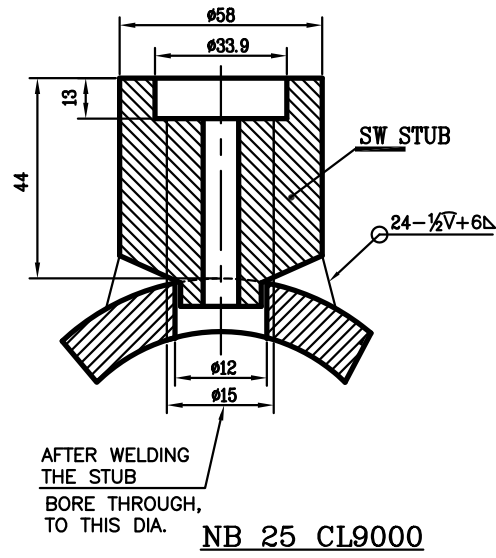
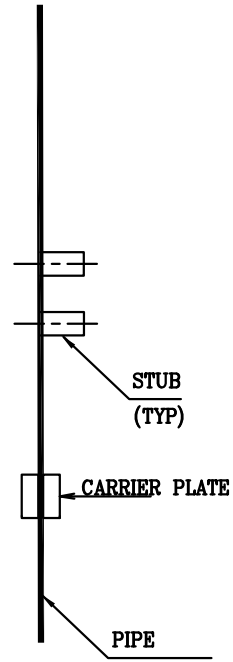
457-559	43-72	1	CP 30X50X150	1 SET	58	SW NB 25 CL 9000	1
630-864	21-85	6	CP 40X50X170	1 SET	58	SW NB 25 CL 9000	1
PIPE OD RANGE	THK RANGE	QTY	CP SIZE	QTY/PIPE	STUB OD	STUB TYPE	QTY/PIPE

NOTES:

01. FOR EDGE PREPARATION REFER DRG NO:3-80-300-19825.
02. ALL PIPES ARE UNDER THE PURVIEW OF IBR AND TO BE SUPPLIED WITH FORM-III A
03. RAW MATERIAL FOR STRAIGHT PIPES AND RAW MATERIALS/FINISHED COMPONENTS FOR ATTACHMENTS WILL BE SUPPLIED BY BHEL.
04. CARRIER PLATE SPECIFICATION SHALL BE SA387GRP91

	BHARAT HEAVY ELECTRICALS LTD.,		DRN	NAME	SIGN	DATE	NO OF ITEMS
	PIPING CENTRE,		CHD	M.R.K		20.11.12	
	CHENNAI 600 017		APPD	M.MANO		20.11.12	
TITLE			CARD CODE	DRAWING No.		REV	
PIPE WITH CARRIER PLATE AND 1 STUB SA335P91			U 01	PIPE SKETCH-18		00	

CAUTION THE INFORMATION ON THIS DOCUMENT IS THE PROPERTY OF BHARAT HEAVY ELECTRICALS LIMITED. IT MUST NOT BE USED DIRECTLY OR INDIRECTLY IN ANY WAY DETRIMENTAL TO THE INTEREST OF THE COMPANY



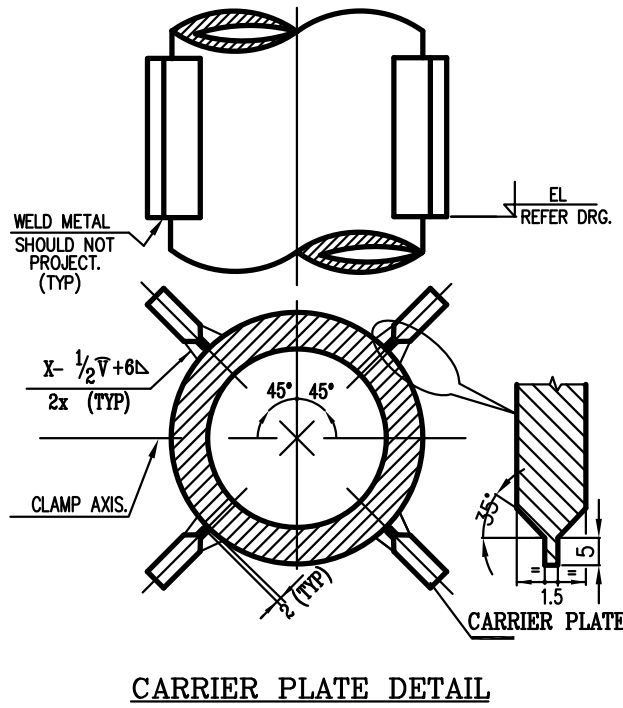
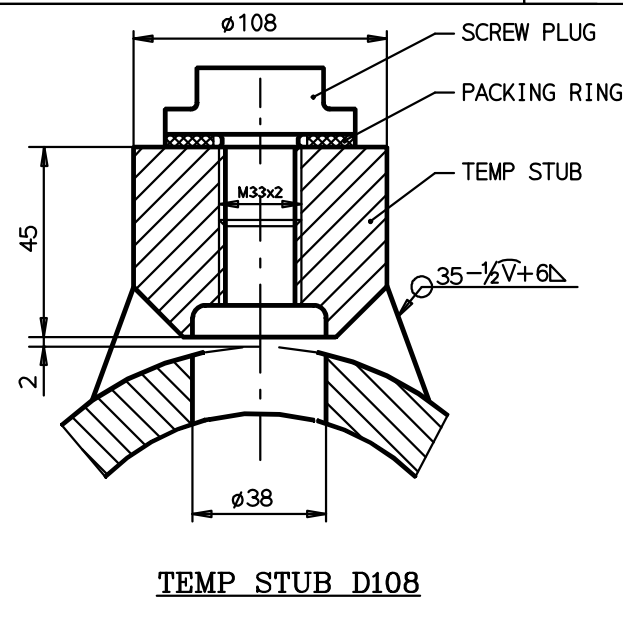
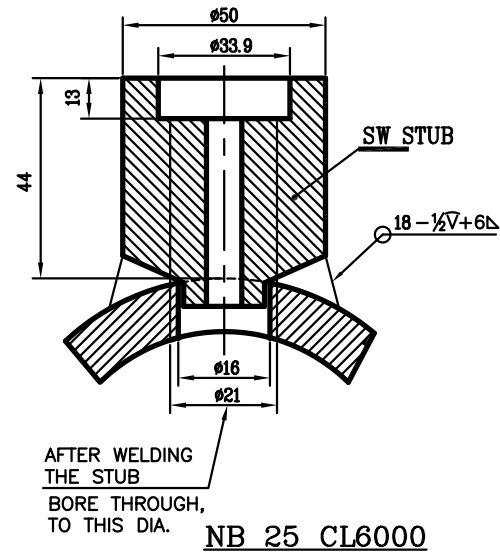
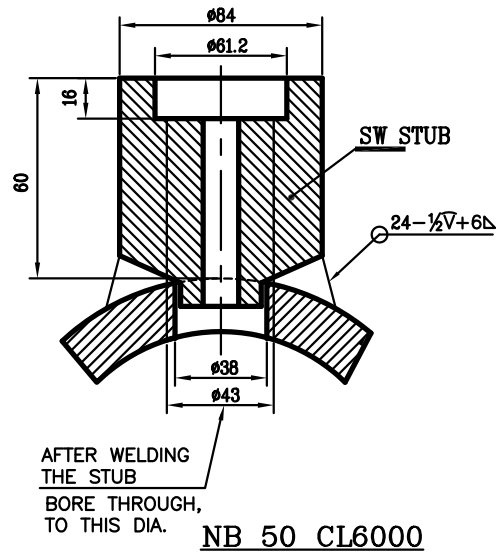
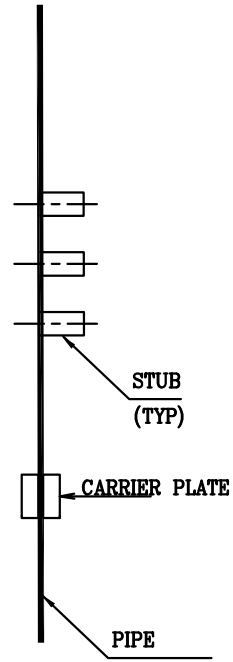
219.1-406.4	25-55	2	CP 30X50X150	1 SET	50	SW NB 25 CL 6000	2
457-559	43-72	1	CP 30X50X150	1 SET	58	SW NB 25 CL 9000	1
					108	TEMP STUB D108	1
PIPE OD RANGE	THK RANGE	QTY	CP SIZE	QTY/PIPE	STUB OD	STUB TYPE	QTY/PIPE

NOTES:

- FOR EDGE PREPARATION REFER DRG NO:3-80-300-19825.
- ALL PIPES ARE UNDER THE PURVIEW OF IBR AND TO BE SUPPLIED WITH FORM-III A
- RAW MATERIAL FOR STRAIGHT PIPES AND RAW MATERIALS/FINISHED COMPONENTS FOR ATTACHMENTS WILL BE SUPPLIED BY BHEL.
- CARRIER PLATE SPECIFICATION SHALL BE SA387GRP91

	BHARAT HEAVY ELECTRICALS LTD.,		DRN	NAME	SIGN	DATE	NO OF ITEMS
	PIPING CENTRE,		CHD	M.R.K		20.11.12	
	CHENNAI 600 017		APPD	M.MANO		20.11.12	
TITLE			CARD CODE	DRAWING No.		REV	
PIPE WITH CARRIER PLATE AND 2 STUBS SA335P91			U 01	PIPE SKETCH-19		00	


CAUTION THE INFORMATION ON THIS DOCUMENT IS THE PROPERTY OF BHARAT HEAVY ELECTRICALS LIMITED. IT MUST NOT BE USED DIRECTLY OR INDIRECTLY IN ANY WAY DETRIMENTAL TO THE INTEREST OF THE COMPANY



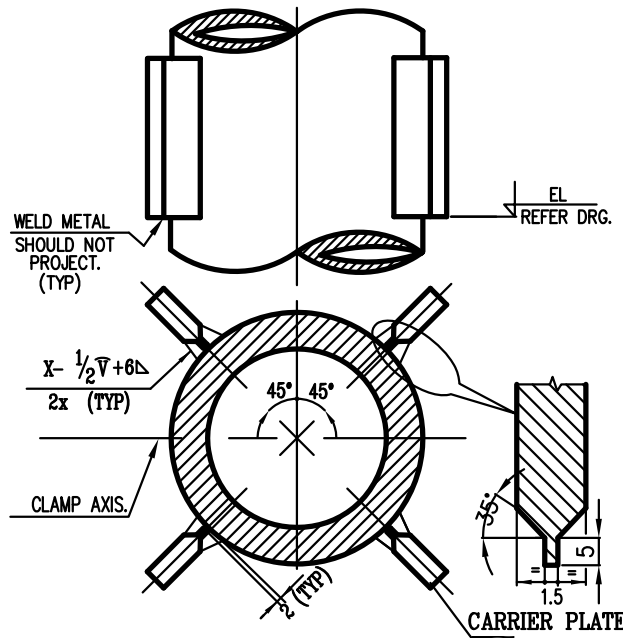
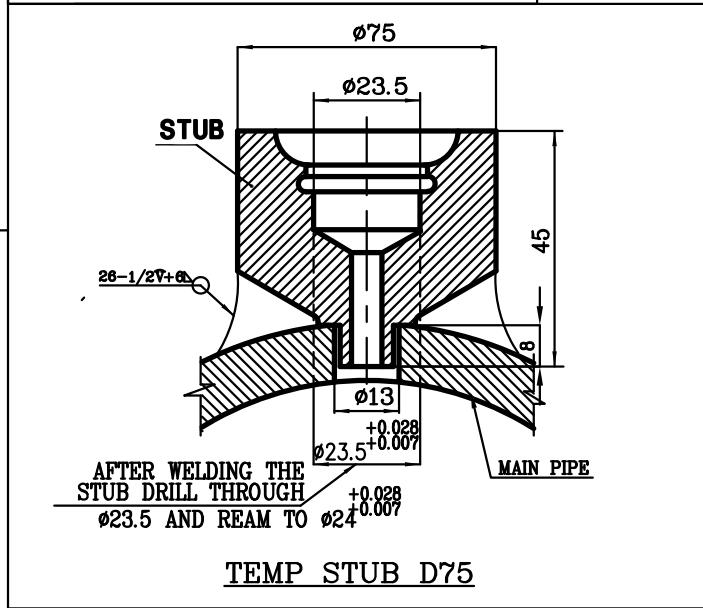
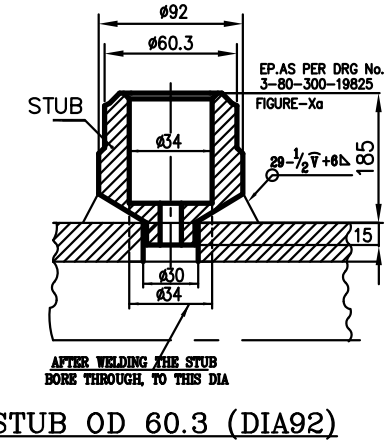
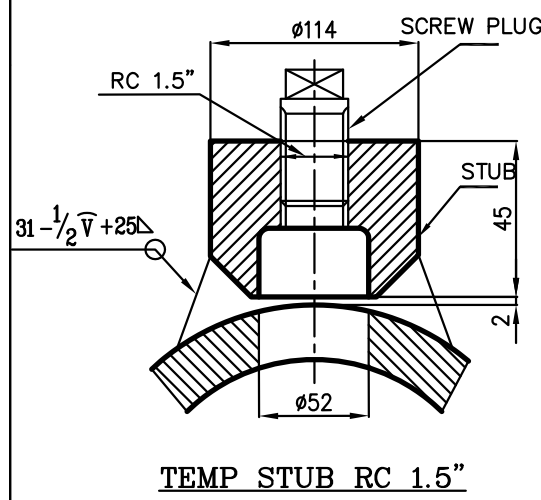
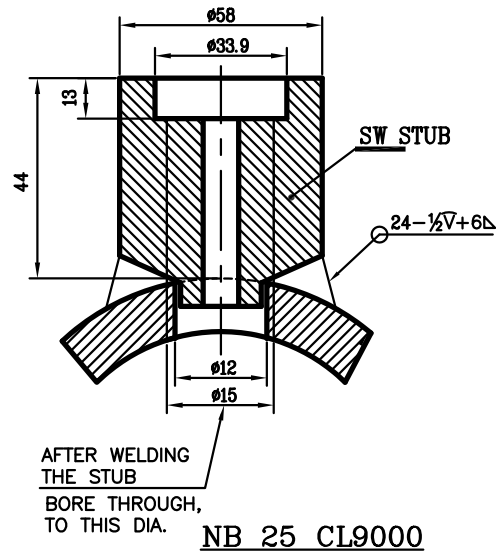
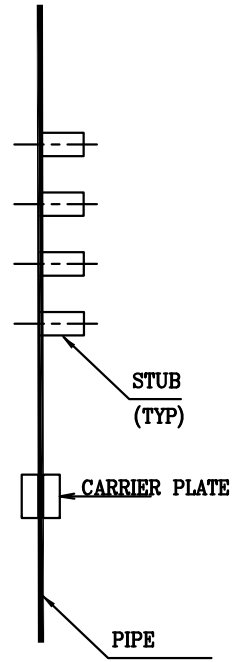
NOTES:

01. FOR EDGE PREPARATION REFER DRG NO:3-80-300-19825.
02. ALL PIPES ARE UNDER THE PURVIEW OF IBR AND TO BE SUPPLIED WITH FORM-III A
03. RAW MATERIAL FOR STRAIGHT PIPES AND RAW MATERIALS/FINISHED COMPONENTS FOR ATTACHMENTS WILL BE SUPPLIED BY BHEL.
04. CARRIER PLATE SPECIFICATION SHALL BE SA387GRP91

219.1-406.4	25-55	2	CP 30X50X150	1 SET	50	SW NB 25 CL 6000	1
					84	SW NB 50 CL 6000	1
					108	TEMP STUB D108	1
PIPE OD RANGE	THK RANGE	QTY	CP SIZE	QTY/PIPE	STUB OD	STUB TYPE	QTY/PIPE

 BHARAT HEAVY ELECTRICALS LTD., PIPING CENTRE, CHENNAI 600 017	DRN	NAME	SIGN	DATE	NO OF ITEMS
	CHD	M.R.K		20.11.12	
	APPD	M.MANO		20.11.12	
TITLE	CARD CODE	DRAWING No.		REV	
PIPE WITH CARRIER PLATE AND 3 STUBS SA335P91	U 01	PIPE SKETCH-20		00	

CAUTION THE INFORMATION ON THIS DOCUMENT IS THE PROPERTY OF BHARAT HEAVY ELECTRICALS LIMITED. IT MUST NOT BE USED DIRECTLY OR INDIRECTLY IN ANY WAY DETRIMENTAL TO THE INTEREST OF THE COMPANY



CARRIER PLATE DETAIL

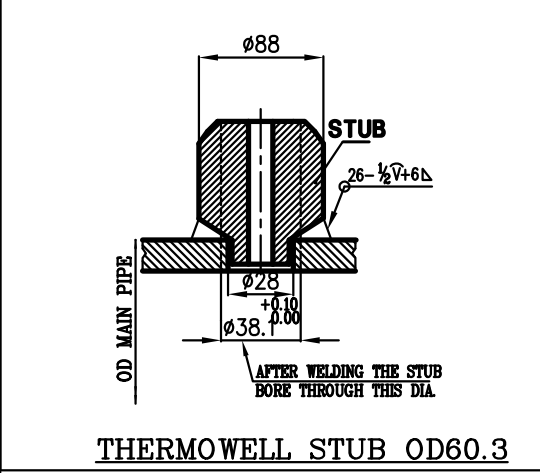
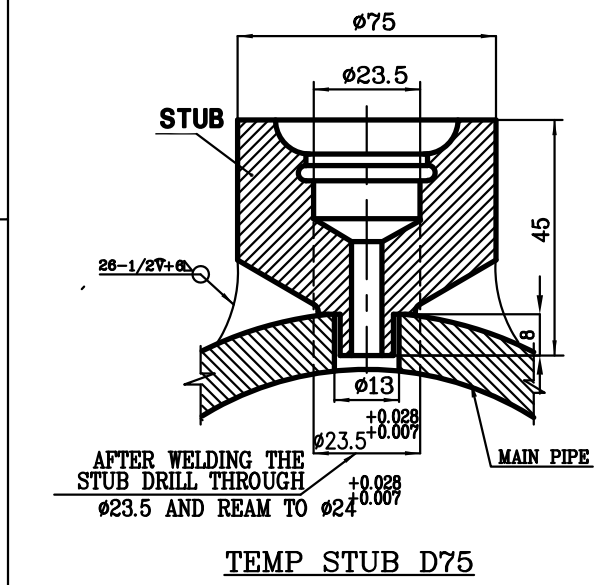
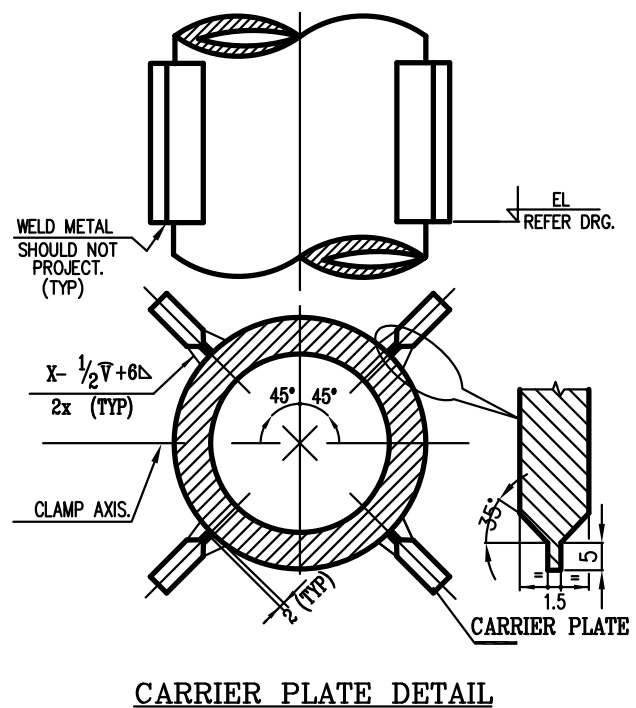
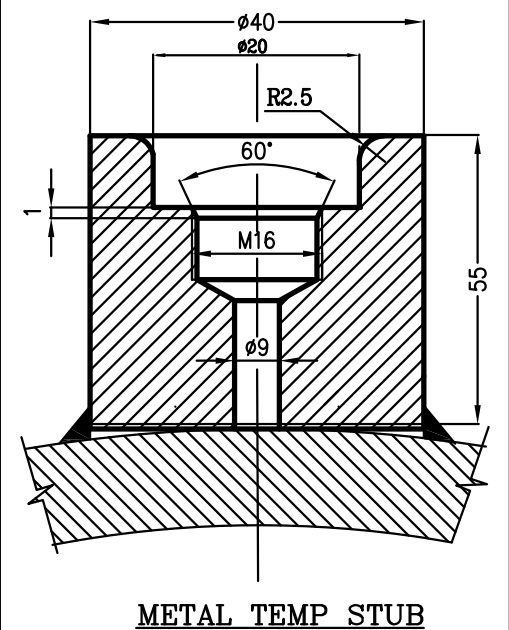
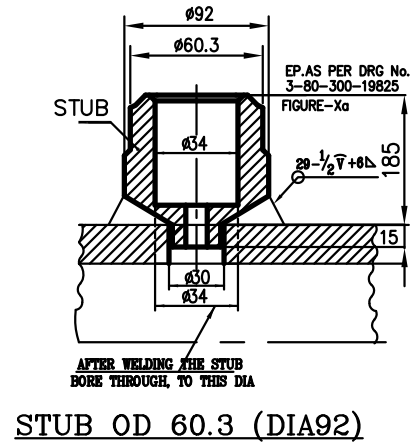
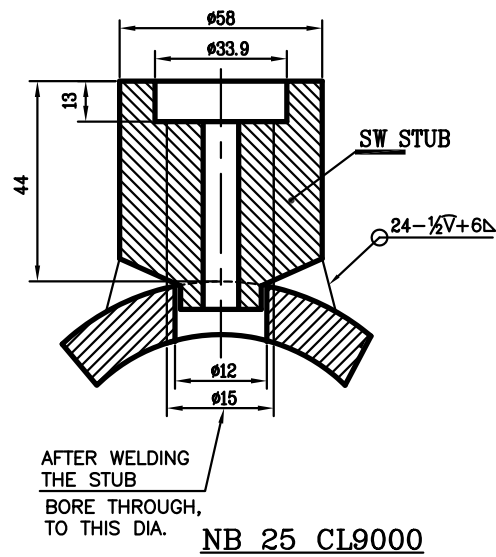
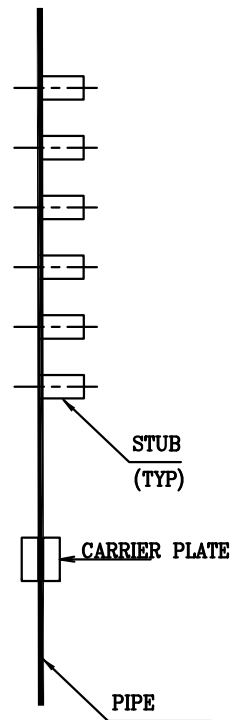
NOTES:

- FOR EDGE PREPARATION REFER DRG NO:3-80-300-19825.
- ALL PIPES ARE UNDER THE PURVIEW OF IBR AND TO BE SUPPLIED WITH FORM-III A
- RAW MATERIAL FOR STRAIGHT PIPES AND RAW MATERIALS/FINISHED COMPONENTS FOR ATTACHMENTS WILL BE SUPPLIED BY BHEL.
- CARRIER PLATE SPECIFICATION SHALL BE SA387GRP91

219.1-406.4	25-55	4	CP 40X50X170	1 SET	92	STUB OD 60.3	1
					58	SW NB 25 CL 9000	1
630-864	21-85	2	CP 40X50X170	1 SET	114	TEMP STUB RC 1.5"	2
					58	SW NB 25 CL 9000	2
PIPE OD RANGE	THK RANGE	QTY	CP SIZE	QTY/PIPE	STUB OD	STUB TYPE	QTY/PIPE
					75	TEMP STUB D75	2

	BHARAT HEAVY ELECTRICALS LTD.,		DRN	NAME	SIGN	DATE	NO OF ITEMS
	PIPING CENTRE,		CHD	M.R.K		20.11.12	
	CHENNAI 600 017		APPD	M.MANO		20.11.12	
TITLE			CARD CODE	DRAWING No.		REV	
PIPE WITH CARRIER PLATE AND 4 STUBS SA335P91			U 01	PIPE SKETCH-21		00	

CAUTION THE INFORMATION ON THIS DOCUMENT IS THE PROPERTY OF BHARAT HEAVY ELECTRICALS LIMITED. IT MUST NOT BE USED DIRECTLY OR INDIRECTLY IN ANY WAY DETRIMENTAL TO THE INTEREST OF THE COMPANY

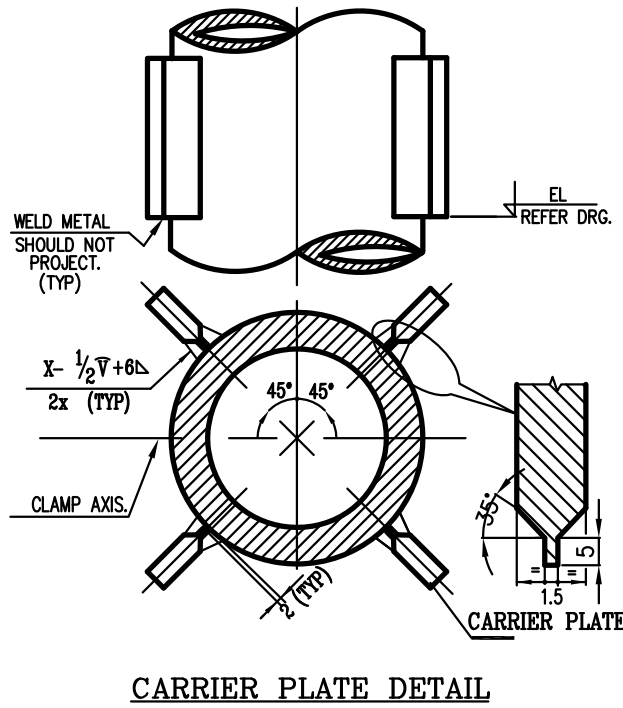
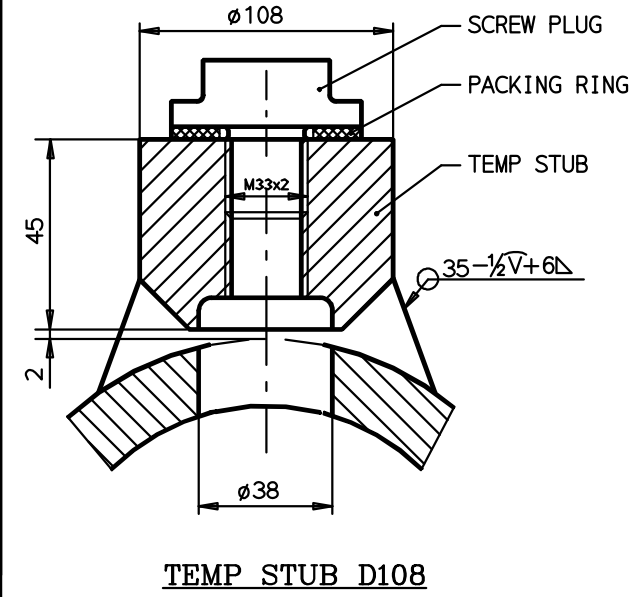
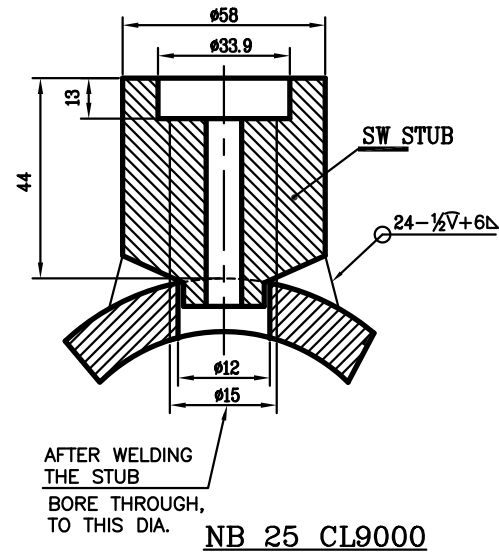
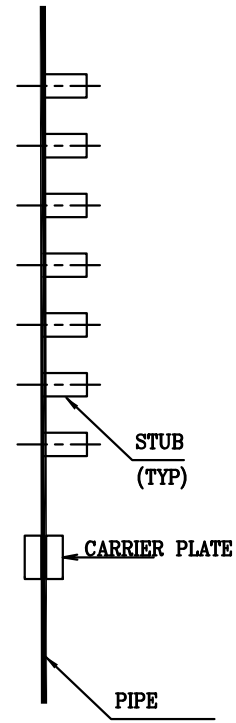


PIPE OD RANGE	THK RANGE	QTY	CP SIZE	QTY/PIPE	STUB OD	STUB TYPE	QTY/PIPE
630-864	21-85	4	CP 30X50X150	1 SET	58	SW NB 25 CL 9000	3
					75	TEMP STUB D75	1
630-864	21-85	2	CP 40X50X170	1 SET	88	THERMOWELL OD 60.3	2
					40	METAL TEMP	1
					92	STUB OD 60.3	1
					58	SW NB 25 CL 9000	1
					75	TEMP STUB D75	1
					88	THERMOWELL OD 60.3	2
630-864	21-85	1	CP 40X50X170	1 SET	58	SW NB 25 CL 9000	2
					75	TEMP STUB D75	2
					88	THERMOWELL OD 60.3	2

- NOTES:
- FOR EDGE PREPARATION REFER DRG NO:3-80-300-19825.
 - ALL PIPES ARE UNDER THE PURVIEW OF IBR AND TO BE SUPPLIED WITH FORM-III A
 - RAW MATERIAL FOR STRAIGHT PIPES AND RAW MATERIALS/FINISHED COMPONENTS FOR ATTACHMENTS WILL BE SUPPLIED BY BHEL.
 - CARRIER PLATE SPECIFICATION SHALL BE SA387GRP91

	BHARAT HEAVY ELECTRICALS LTD.,		DRN	NAME	SIGN	DATE	NO OF ITEMS
	PIPING CENTRE,		CHD	M.R.K		20.11.12	
	CHENNAI 600 017		APPD	M.MANO		20.11.12	
TITLE			CARD CODE	DRAWING No.		REV	
PIPE WITH CARRIER PLATE AND 6 STUBS SA335P91			U 01	PIPE SKETCH-22		00	

CAUTION THE INFORMATION ON THIS DOCUMENT IS THE PROPERTY OF BHARAT HEAVY ELECTRICALS LIMITED. IT MUST NOT BE USED DIRECTLY OR INDIRECTLY IN ANY WAY DETRIMENTAL TO THE INTEREST OF THE COMPANY



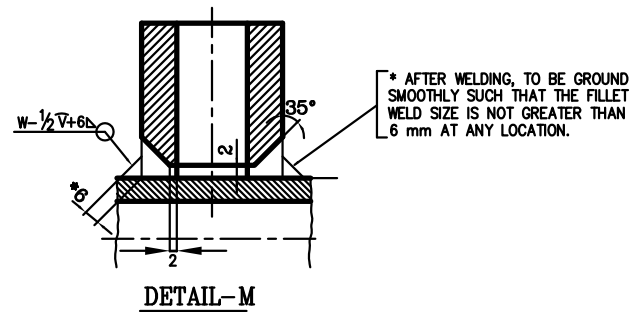
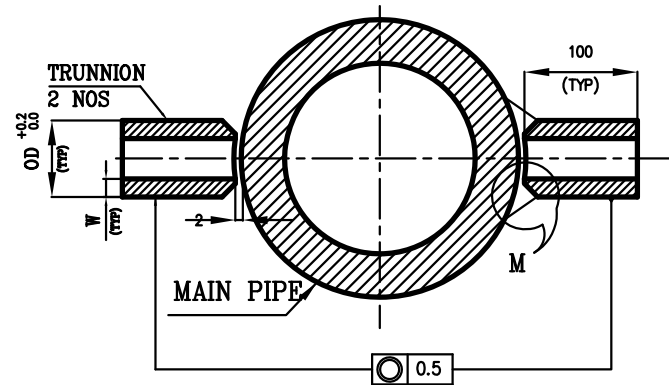
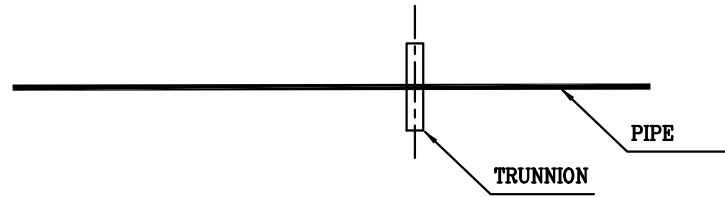
457-559	43-72	1	CP 30X50X150	1 SET	58	SW NB 25 CL 9000	5
					108	TEMP STUB D108	2
PIPE OD RANGE	THK RANGE	QTY	CP SIZE	QTY/PIPE	STUB OD	STUB TYPE	QTY/PIPE

NOTES:

- FOR EDGE PREPARATION REFER DRG NO:3-80-300-19825.
- ALL PIPES ARE UNDER THE PURVIEW OF IBR AND TO BE SUPPLIED WITH FORM-III A
- RAW MATERIAL FOR STRAIGHT PIPES AND RAW MATERIALS/FINISHED COMPONENTS FOR ATTACHMENTS WILL BE SUPPLIED BY BHEL.
- CARRIER PLATE SPECIFICATION SHALL BE SA387GRP91

	BHARAT HEAVY ELECTRICALS LTD.,		DRN	NAME	SIGN	DATE	NO OF ITEMS
	PIPING CENTRE,		CHD	M.R.K		20.11.12	
	CHENNAI 600 017		APPD	M.MANO		20.11.12	
TITLE			CARD CODE	DRAWING No.		REV	
PIPE WITH CARRIER PLATE AND 7 STUBS SA335P91			U 01	PIPE SKETCH-23		00	

CAUTION THE INFORMATION ON THIS DOCUMENT IS THE PROPERTY OF BHARAT HEAVY ELECTRICALS LIMITED. IT MUST NOT BE USED DIRECTLY OR INDIRECTLY IN ANY WAY DETRIMENTAL TO THE INTEREST OF THE COMPANY




TRUNNION DETAIL

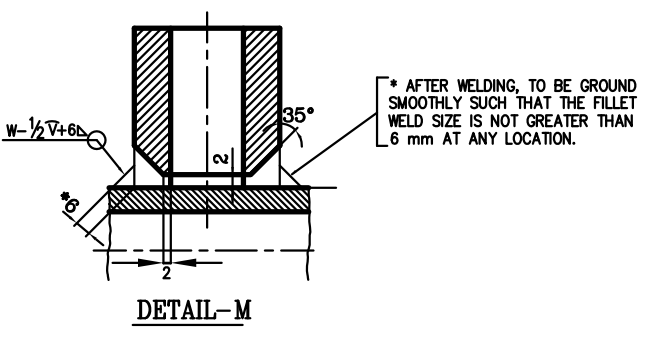
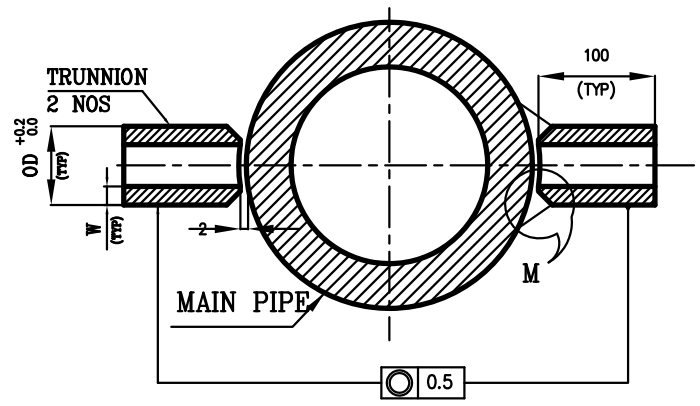
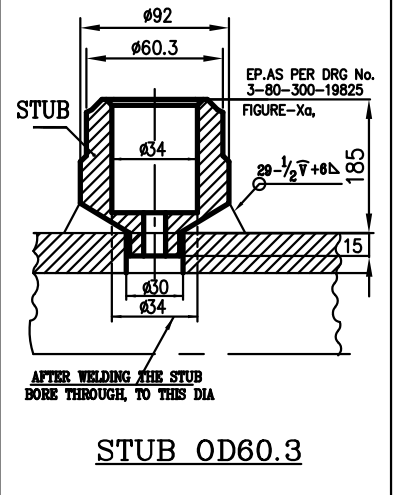
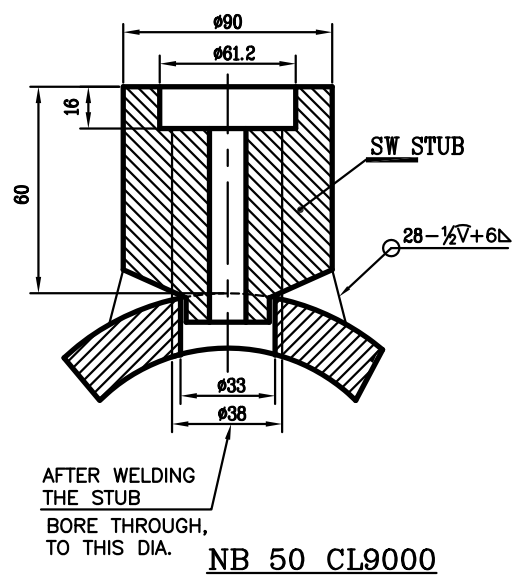
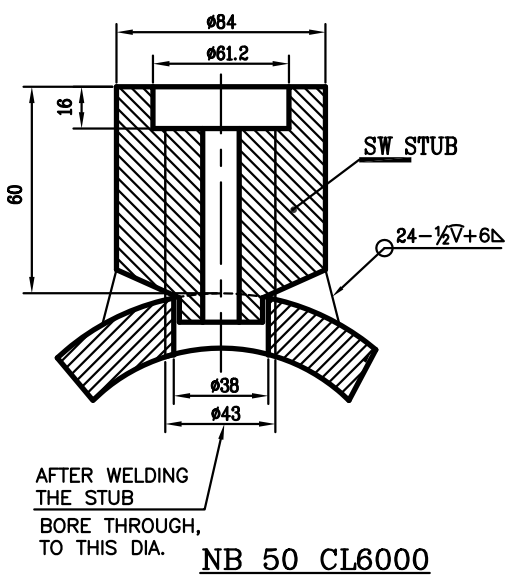
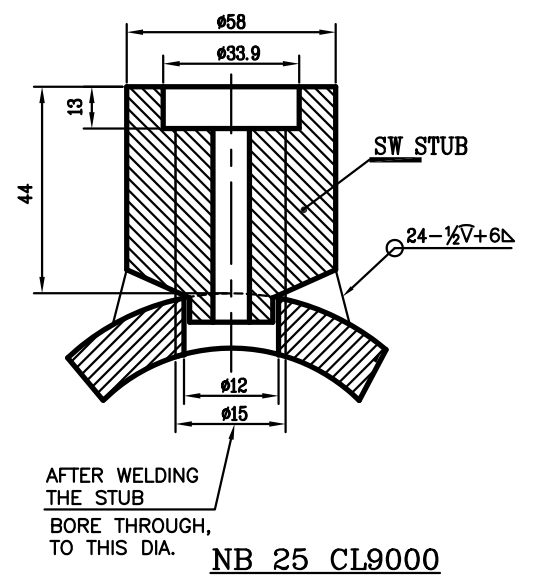
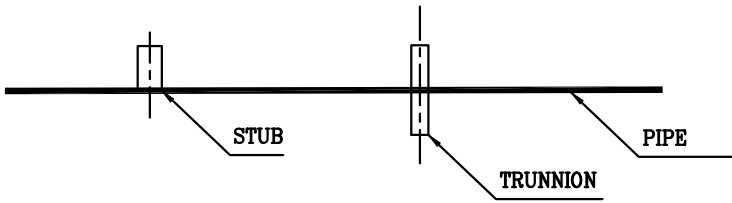
NOTES:

01. FOR EDGE PREPARATION REFER DRG NO:3-80-300-19825.
02. ALL PIPES ARE UNDER THE PURVIEW OF IBR AND TO BE SUPPLIED WITH FORM-III A
03. RAW MATERIAL FOR STRAIGHT PIPES AND RAW MATERIALS/FINISHED COMPONENTS FOR ATTACHMENTS WILL BE SUPPLIED BY BHEL.
04. TRUNNION SPECIFICATION SHALL BE SA335P91.

PIPE OD RANGE	THK RANGE	QTY	TRUNNION SIZE	QTY/PIPE
219.1-406.4	25-55	16	OD 118X34	1 SET
		8	OD 184X49.5	1 SET
457-559	43-72	26	OD 184X49.5	1 SET
		6	OD 184X49.5	1 SET
630-864	21-85	18	OD 218X21	1 SET
		20	OD 270X23	1 SET
		2	OD 272X24.5	1 SET
		4	OD 322X30	1 SET

 BHARAT HEAVY ELECTRICALS LTD., PIPING CENTRE, CHENNAI 600 017	DRN	NAME	SIGN	DATE	NO OF ITEMS
	CHD	M.R.K		20.11.12	
	APPD	M.MANO		20.11.12	
TITLE		CARD CODE	DRAWING No.		REV
PIPE WITH TRUNNION SA335P91		U 01	PIPE SKETCH-24		00


CAUTION THE INFORMATION ON THIS DOCUMENT IS THE PROPERTY OF BHARAT HEAVY ELECTRICALS LIMITED. IT MUST NOT BE USED DIRECTLY OR INDIRECTLY IN ANY WAY DETRIMENTAL TO THE INTEREST OF THE COMPANY



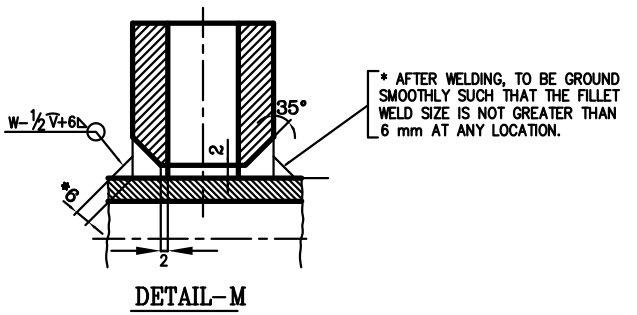
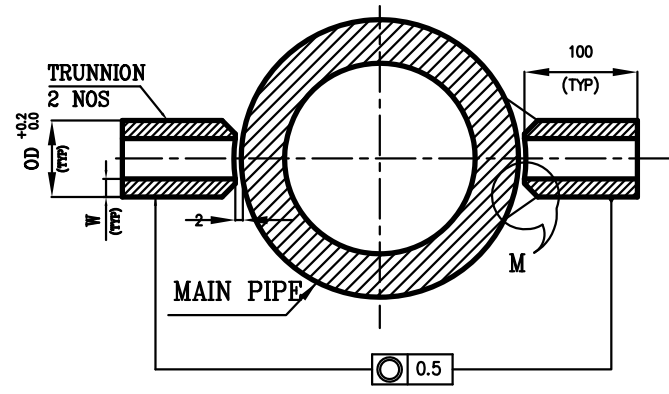
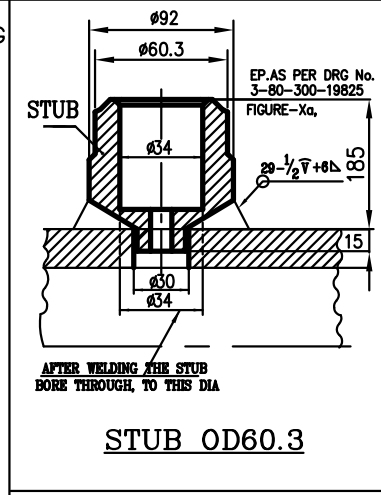
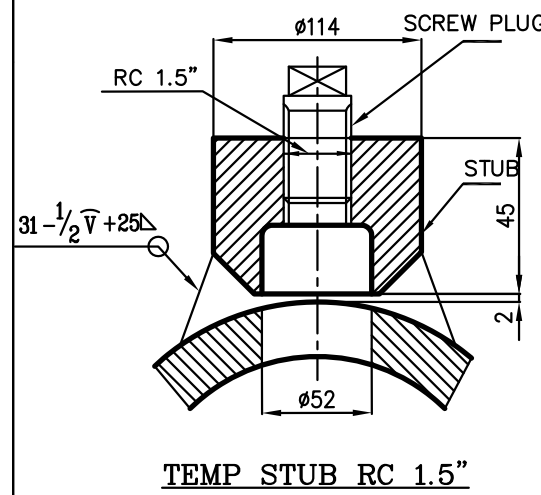
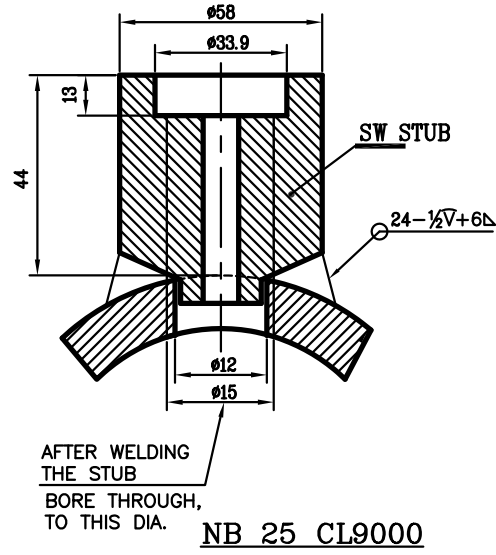
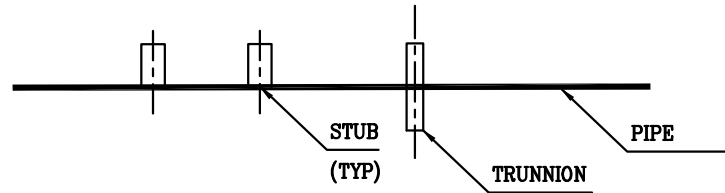
TRUNNION DETAIL

- NOTES:**
- FOR EDGE PREPARATION REFER DRG NO:3-80-300-19825.
 - ALL PIPES ARE UNDER THE PURVIEW OF IBR AND TO BE SUPPLIED WITH FORM-III A
 - RAW MATERIAL FOR STRAIGHT PIPES AND RAW MATERIALS/FINISHED COMPONENTS FOR ATTACHMENTS WILL BE SUPPLIED BY BHEL.
 - TRUNNION SPECIFICATION SHALL BE SA335P91.

PIPE OD RANGE	THK RANGE	QTY	TRUNNION SIZE	QTY/PIPE	STUB OD	STUB TYPE	QTY/PIPE
219.1-406.4	25-55	4	OD 118X34	1 SET	84	SW NB 50 CL 6000	1
		4	OD 118X34	1 SET	90	SW NB 50 CL 9000	1
		2	OD 184X49.5	1 SET	90	SW NB 50 CL 9000	1
457-559	43-72	2	OD 184X49.5	1 SET	92	STUB OD 60.3	1
630-864	21-85	1	OD 184X49.5	1 SET	58	SW NB 25 CL 9000	1
		8	OD 218X21	1 SET	58	SW NB 25 CL 9000	1

 BHARAT HEAVY ELECTRICALS LTD., PIPING CENTRE, CHENNAI 600 017	DRN	NAME	SIGN	DATE	NO OF ITEMS
	CHD	M.R.K		20.11.12	
	APPD	M.MANO		20.11.12	
TITLE	CARD CODE	DRAWING No.		REV	
PIPE WITH TRUNNION AND 1 STUB SA335P91	U 01	PIPE SKETCH-25		00	

CAUTION THE INFORMATION ON THIS DOCUMENT IS THE PROPERTY OF BHARAT HEAVY ELECTRICALS LIMITED. IT MUST NOT BE USED DIRECTLY OR INDIRECTLY IN ANY WAY DETRIMENTAL TO THE INTEREST OF THE COMPANY



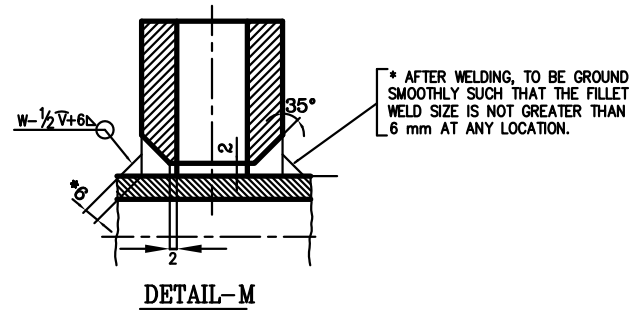
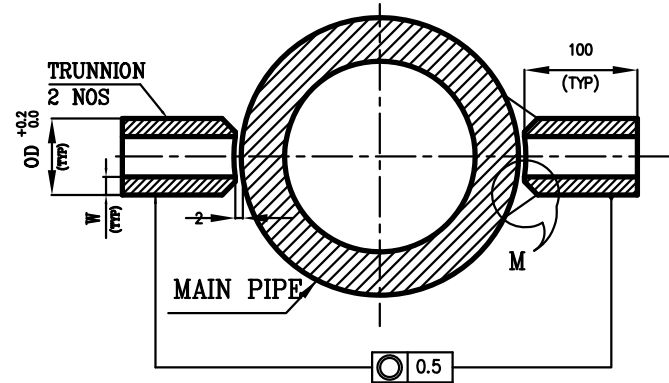
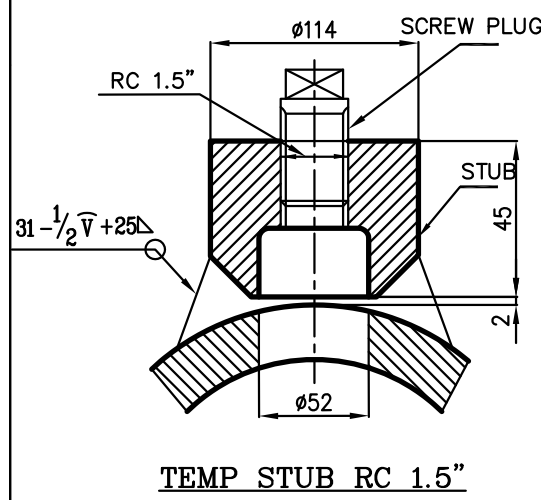
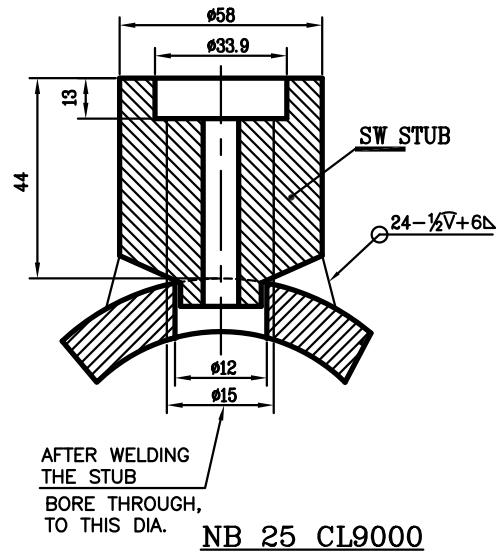
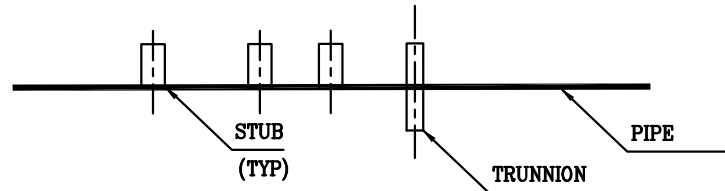
TRUNNION DETAIL

- NOTES:
- FOR EDGE PREPARATION REFER DRG NO:3-80-300-19825.
 - ALL PIPES ARE UNDER THE PURVIEW OF IBR AND TO BE SUPPLIED WITH FORM-III A
 - RAW MATERIAL FOR STRAIGHT PIPES AND RAW MATERIALS/FINISHED COMPONENTS FOR ATTACHMENTS WILL BE SUPPLIED BY BHEL.
 - TRUNNION SPECIFICATION SHALL BE SA335P91.

630-864	21-85	1	OD 184X49.5	1 SET	114	TEMP STUB RC 1.5"	2
		3	OD 184X49.5	1 SET	92	STUB OD 60.3	1
					58	SW NB 25 CL 9000	1
PIPE OD RANGE	THK RANGE	QTY	TRUNNION SIZE	QTY/PIPE	STUB OD	STUB TYPE	QTY/PIPE

	BHARAT HEAVY ELECTRICALS LTD.,		DRN	NAME	SIGN	DATE	NO OF ITEMS
	PIPING CENTRE,		CHD	M.R.K		20.11.12	
	CHENNAI 600 017		APPD	C.K.N		20.11.12	
TITLE			CARD CODE	DRAWING No.		REV	
PIPE WITH TRUNNION AND 2 STUBS SA335P91			U 01	PIPE SKETCH-26		00	

CAUTION THE INFORMATION ON THIS DOCUMENT IS THE PROPERTY OF BHARAT HEAVY ELECTRICALS LIMITED. IT MUST NOT BE USED DIRECTLY OR INDIRECTLY IN ANY WAY DETRIMENTAL TO THE INTEREST OF THE COMPANY



TRUNNION DETAIL

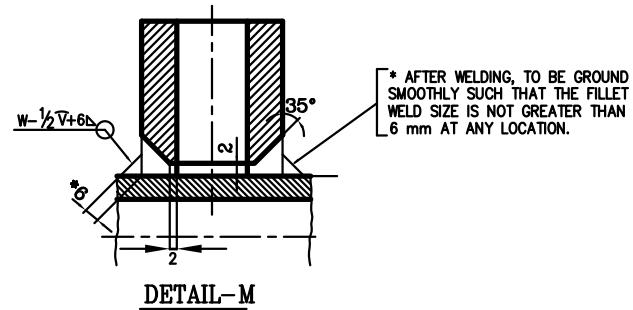
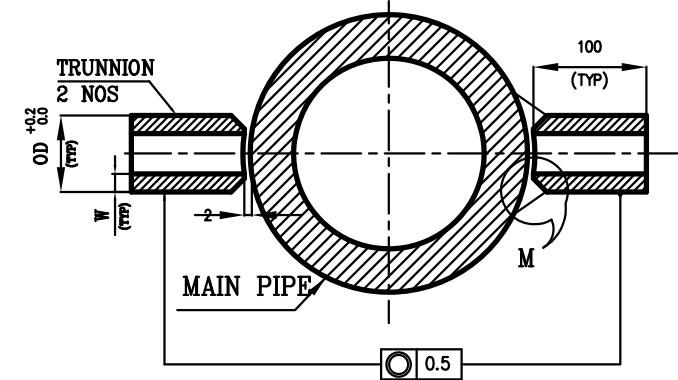
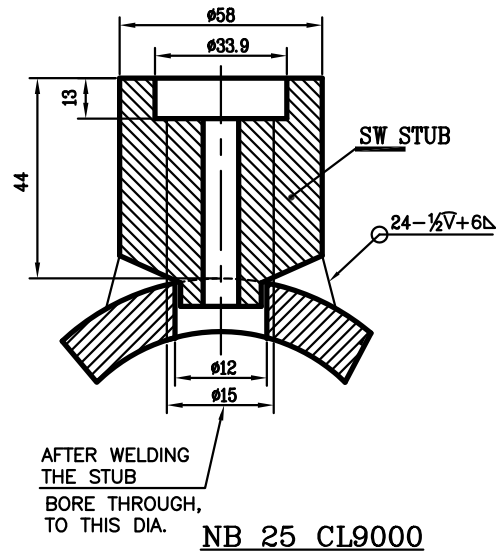
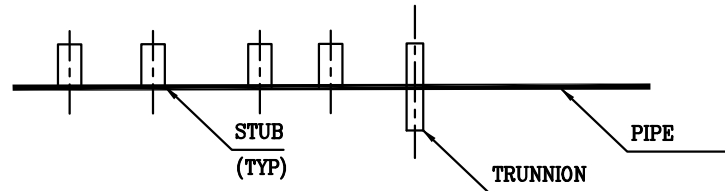
NOTES:

01. FOR EDGE PREPARATION REFER DRG NO:3-80-300-19825.
02. ALL PIPES ARE UNDER THE PURVIEW OF IBR AND TO BE SUPPLIED WITH FORM-III A
03. RAW MATERIAL FOR STRAIGHT PIPES AND RAW MATERIALS/FINISHED COMPONENTS FOR ATTACHMENTS WILL BE SUPPLIED BY BHEL.
04. TRUNNION SPECIFICATION SHALL BE SA335P91.

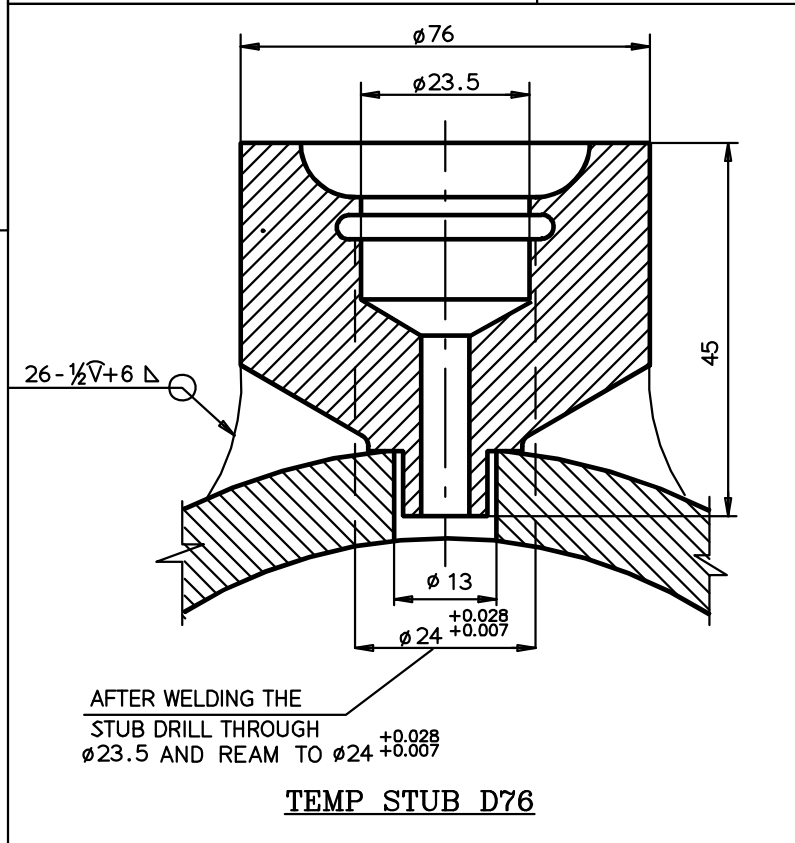
PIPE OD RANGE	THK RANGE	QTY	TRUNNION SIZE	QTY/PIPE	STUB OD	STUB TYPE	QTY/PIPE
630-864	21-85	1	OD 184X49.5	1 SET	58	SW NB 25 CL 9000	3
		2	OD 218X21	1 SET	58	SW NB 25 CL 9000	2
					114	TEMP STUB RC 1.5"	1

	BHARAT HEAVY ELECTRICALS LTD., PIPING CENTRE, CHENNAI 600 017		DRN	NAME	SIGN	DATE	NO OF ITEMS
			CHD	M.MANO		20.11.12	
			APPD	C.K.N		20.11.12	
TITLE PIPE WITH TRUNNION AND 3 STUBS SA335P91			CARD CODE	DRAWING No.			REV
			U 01	PIPE SKETCH-27			00

CAUTION THE INFORMATION ON THIS DOCUMENT IS THE PROPERTY OF BHARAT HEAVY ELECTRICALS LIMITED. IT MUST NOT BE USED DIRECTLY OR INDIRECTLY IN ANY WAY DETRIMENTAL TO THE INTEREST OF THE COMPANY



TRUNNION DETAIL



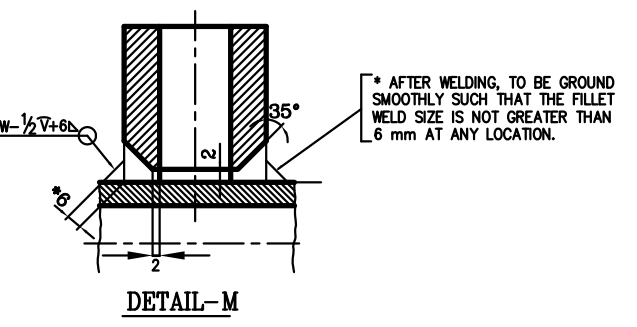
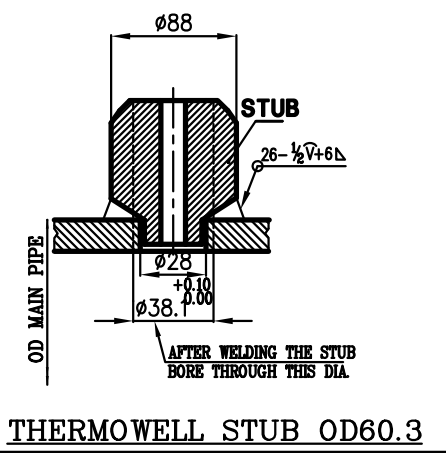
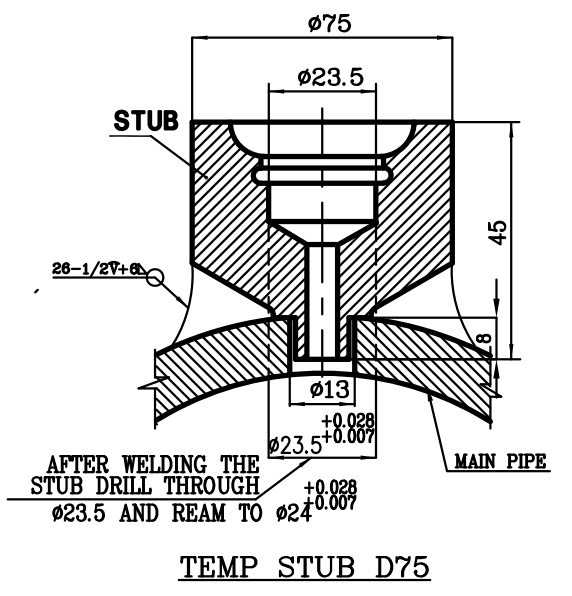
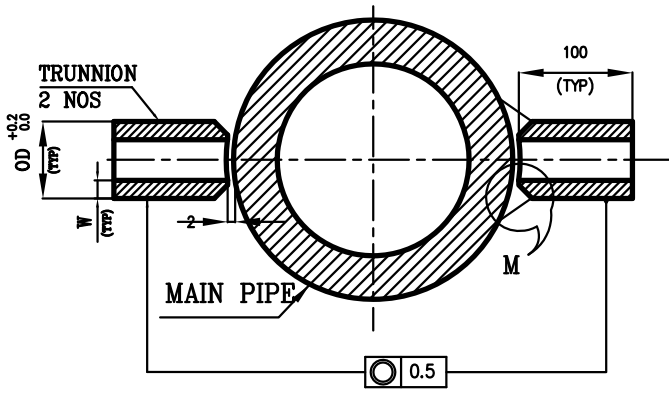
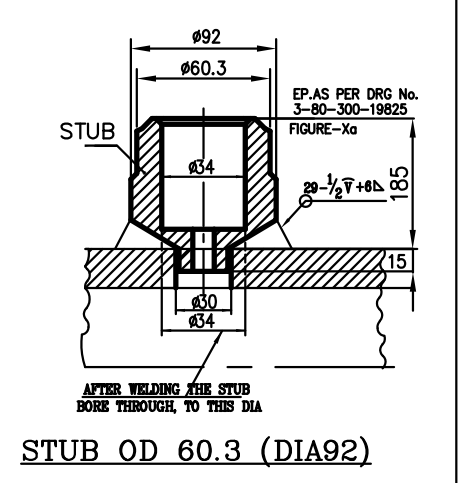
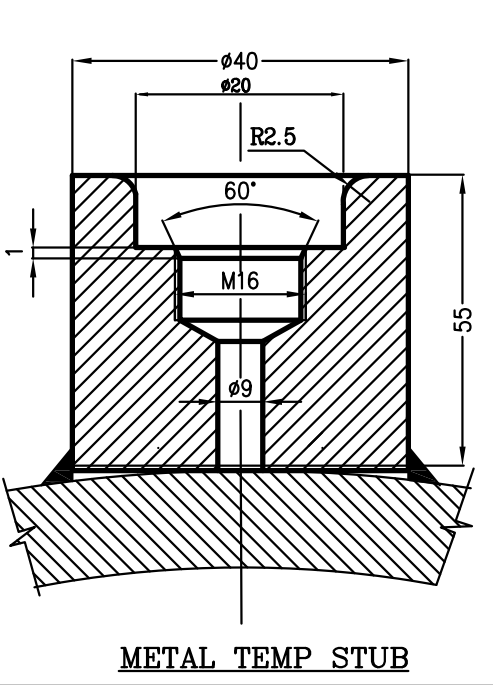
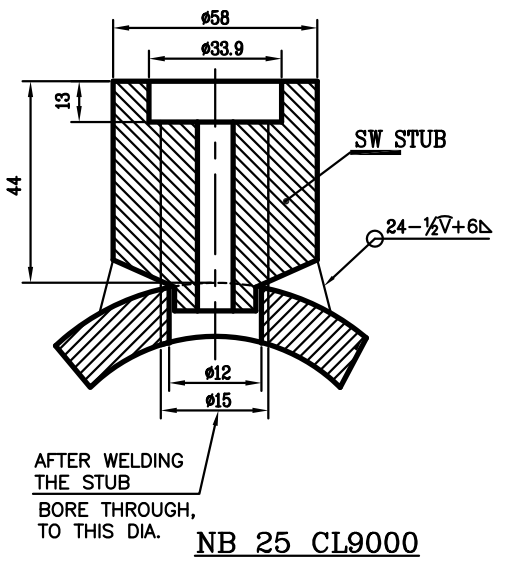
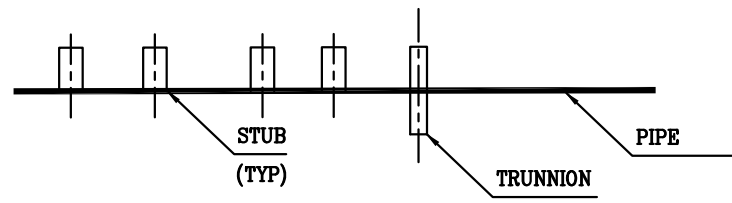
PIPE OD RANGE	THK RANGE	QTY	TRUNNION SIZE	QTY/PIPE	STUB OD	STUB TYPE	QTY/PIPE
219.1-406.4	25-55	4	OD 118X34	1 SET	58	SW NB 25 CL 9000	3
					76	TEMP STUB D76	1
		2	OD 184X49.5	1 SET	58	SW NB 25 CL 9000	3
					76	TEMP STUB D76	1

NOTES:

- FOR EDGE PREPARATION REFER DRG NO:3-80-300-19825.
- ALL PIPES ARE UNDER THE PURVIEW OF IBR AND TO BE SUPPLIED WITH FORM-III A
- RAW MATERIAL FOR STRAIGHT PIPES AND RAW MATERIALS/FINISHED COMPONENTS FOR ATTACHMENTS WILL BE SUPPLIED BY BHEL.
- TRUNNION SPECIFICATION SHALL BE SA335P91.

	BHARAT HEAVY ELECTRICALS LTD., PIPING CENTRE, CHENNAI 600 017		DRN	NAME	SIGN	DATE	NO OF ITEMS
	CHD	M.MANO		20.11.12			
	APPD	C.K.N		20.11.12			
TITLE PIPE WITH TRUNNION AND 4 STUBS SA335P91			CARD CODE	DRAWING No.		REV	
			U 01	PIPE SKETCH-28		00	

CAUTION THE INFORMATION ON THIS DOCUMENT IS THE PROPERTY OF BHARAT HEAVY ELECTRICALS LIMITED. IT MUST NOT BE USED DIRECTLY OR INDIRECTLY IN ANY WAY DETRIMENTAL TO THE INTEREST OF THE COMPANY



TRUNNION DETAIL

- NOTES:
- FOR EDGE PREPARATION REFER DRG NO:3-80-300-19825.
 - ALL PIPES ARE UNDER THE PURVIEW OF IBR AND TO BE SUPPLIED WITH FORM-III A
 - RAW MATERIAL FOR STRAIGHT PIPES AND RAW MATERIALS/FINISHED COMPONENTS FOR ATTACHMENTS WILL BE SUPPLIED BY BHEL.
 - TRUNNION SPECIFICATION SHALL BE SA335P91.

PIPE OD RANGE	THK RANGE	QTY	TRUNNION SIZE	QTY/PIPE	STUB OD	STUB TYPE	QTY/PIPE
630-864	21-85	2	OD 218X21	1 SET	40	METAL TEMP	1
					92	STUB OD 60.3	1
					58	SW NB 25 CL 9000	1
					75	TEMP STUB D75	1
					88	THERMOWELL OD 60.3	2

	BHARAT HEAVY ELECTRICALS LTD.,		DRN	NAME	SIGN	DATE	NO OF ITEMS
	PIPING CENTRE,		CHD	M.R.K		20.11.12	
	CHENNAI 600 017		APPD	M.MANO		20.11.12	
TITLE			CARD CODE	DRAWING No.		REV	
PIPE WITH TRUNNION AND 6 STUBS			U 01	PIPE SKETCH-29		00	
SA335P91							