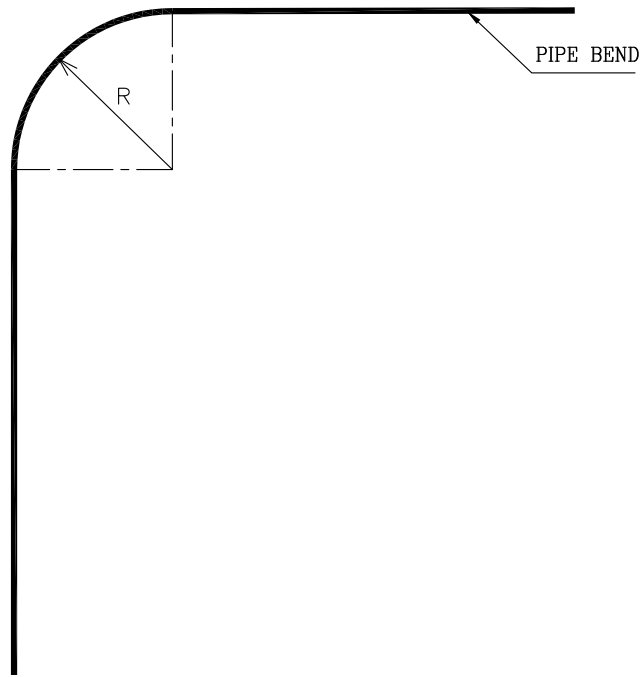



CAUTION THE INFORMATION ON THIS DOCUMENT IS THE PROPERTY OF BHARAT HEAVY ELECTRICALS LIMITED. IT MUST NOT BE USED DIRECTLY OR INDIRECTLY IN ANY WAY DETRIMENTAL TO THE INTEREST OF THE COMPANY



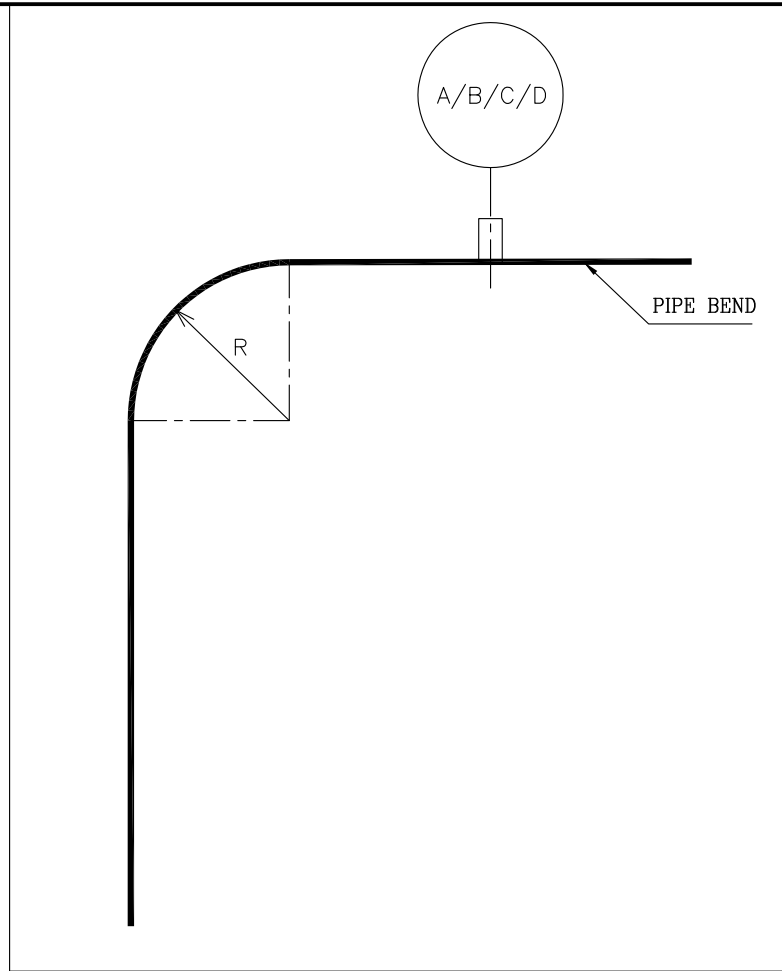
NOTES:

01. FOR EDGE PREPARATION REFER DRG NO:3-80-300-19825.
02. ⊗ INDICATES RADIOGRAPHIC PLUG. IT IS TO BE GIVEN FOR ALL BENDS AS PER BHEL PRACTICE EXCEPT FOR P91 BENDS.
03. FOR RADIOGRAPHIC PLUG, REFER DRG NO: 6108-0022-REV08 IT IS TO BE PROVIDED AS INDICATED IN ISOMETRIC DRG.
04. ALL BENDS ARE UNDER THE PURVIEW OF IBR AND TO BE SUPPLIED WITH FORM-III A
05. RAW MATERIAL FOR PIPE BENDS WILL BE SUPPLIED AS STRAIGHT PIPES. RAW MATERIALS/FINISHED COMPONENTS FOR ATTACHMENTS WILL BE SUPPLIED BY BHEL

OD 965X35	SA335P91	1
OD 965X29	SA335P91	2
OD 914X32	SA335P91	3
OD 864X55	SA335P91	10
OD 813X52	SA335P91	40
OD 762X32	SA335P91	2
OD 762X29	SA335P91	8
OD 762X27	SA335P91	12
OD 762X23	SA335P91	24
OD 711X52	SA335P91	38
OD 711X46	SA335P91	23
OD 711X30	SA335P91	4
OD 711X25	SA335P91	8
OD 524X72	SA335P91	23
OD 965X47	SA335P22	2
OD 864X42	SA335P22	2
OD 762X45	SA335P22	4
OD 711X45	SA335P22	2
OD 711X40	SA335P22	2
PIPE SIZE	SPECIFICATION	QUANTITY

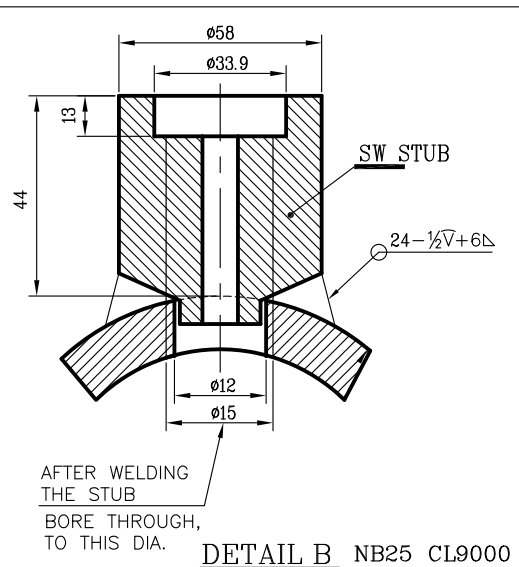
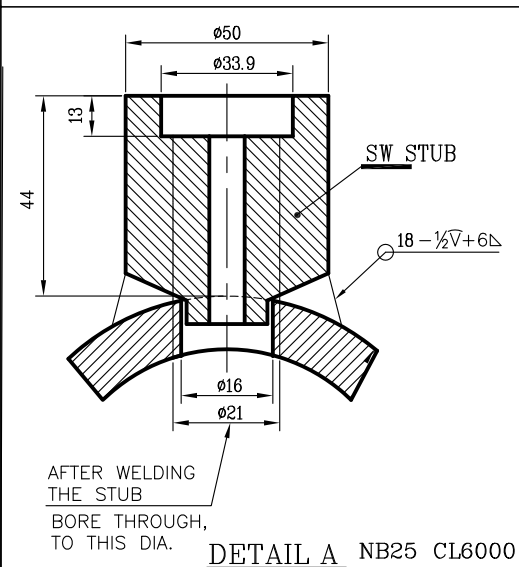
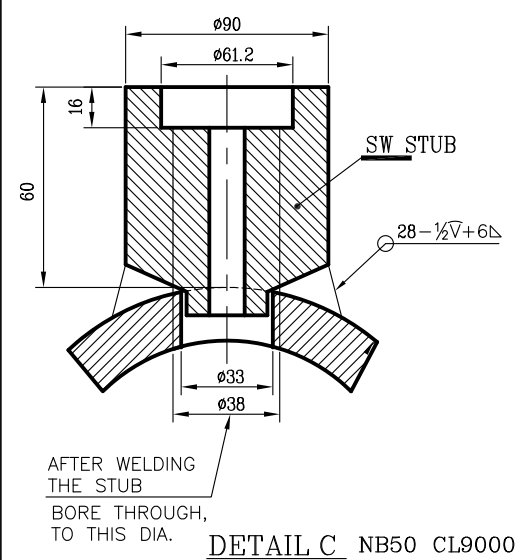
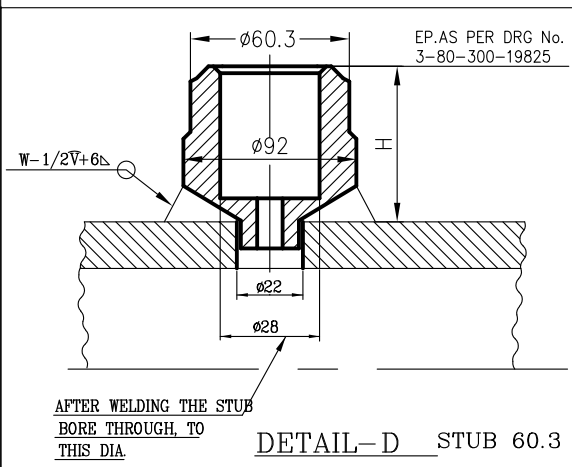
 BHARAT HEAVY ELECTRICALS LTD., PIPING CENTRE, CHENNAI 600 017	DRN	NAME M.R.K	SIGN	DATE 08.11.12	NO OF ITEMS
	CHD	M.MANO		08.11.12	
	APPD	C.K.N		08.11.12	
TITLE LOOSE BEND	CARD CODE U 01	DRAWING No. SKETCH-01			REV 00

CAUTION THE INFORMATION ON THIS DOCUMENT IS THE PROPERTY OF BHARAT HEAVY ELECTRICALS LIMITED. IT MUST NOT BE USED DIRECTLY OR INDIRECTLY IN ANY WAY DETRIMENTAL TO THE INTEREST OF THE COMPANY




NOTES:

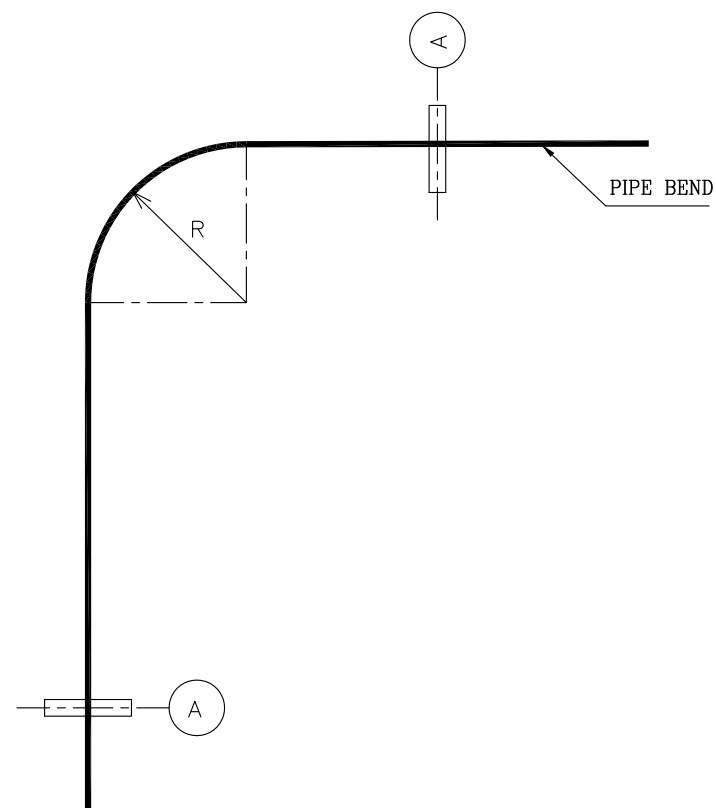
01. FOR EDGE PREPARATION REFER DRG NO:3-80-300-19825.
02. \otimes INDICATES RADIOGRAPHIC PLUG. IT IS TO BE GIVEN FOR ALL BENDS AS PER BHEL PRACTICE EXCEPT FOR P91 BENDS.
03. FOR RADIOGRAPHIC PLUG, REFER DRG NO: 6108-0022-REV08 IT IS TO BE PROVIDED AS INDICATED IN ISOMETRIC DRG.
04. ALL BENDS ARE UNDER THE PURVIEW OF IBR AND TO BE SUPPLIED WITH FORM-III A
05. RAW MATERIAL FOR PIPE BENDS WILL BE SUPPLIED AS STRAIGHT PIPES. RAW MATERIALS/FINISHED COMPONENTS FOR ATTACHMENTS WILL BE SUPPLIED BY BHEL



OD 813X52	SA335P91	6	90	SW NB50 CL9000	1
OD 762X29	SA335P91	2	58	SW NB25 CL9000	1
OD 762X23	SA335P91	6	58	SW NB25 CL9000	1
OD 711X46	SA335P91	2	58	SW NB25 CL9000	1
OD 711X25	SA335P91	2	90	SW NB50 CL9000	1
OD 524X72	SA335P91	3	92	STUB 60.3	1
OD 762X40	SA335P22	2	50	SW NB25 CL6000	1
PIPE SIZE	SPECIFICATION	QUANTITY	OD OF THE STUB	TYPE OF STUB	QTY/BEND

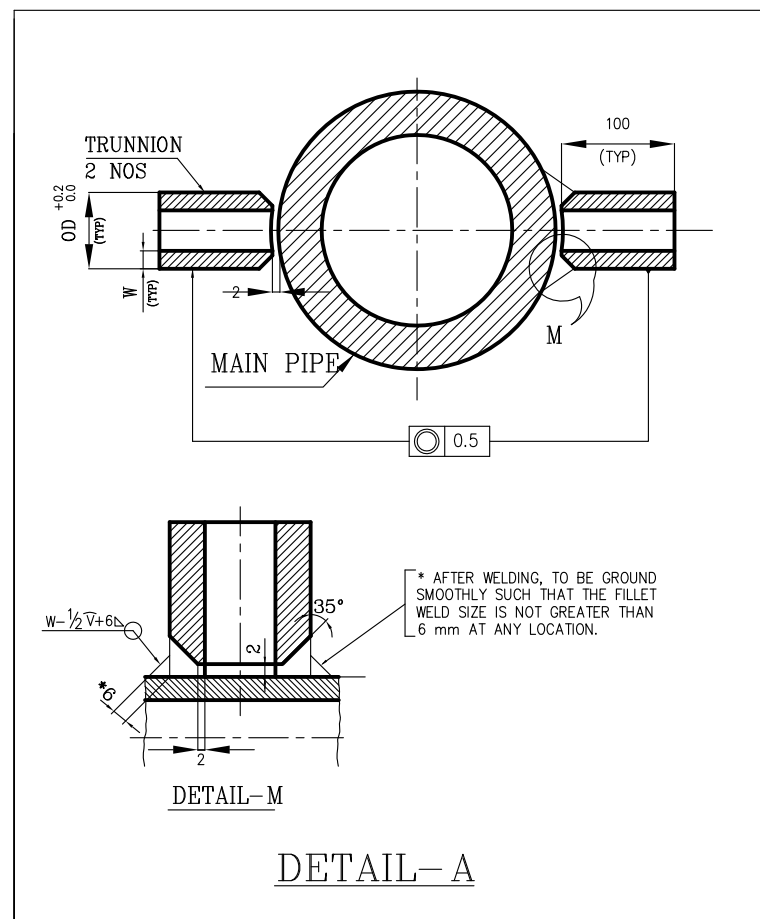
 BHARAT HEAVY ELECTRICALS LTD., PIPING CENTRE, CHENNAI 600 017	DRN	NAME	SIGN	DATE	NO OF ITEMS
	CHD	M.R.K		08.11.12	
	APPD	M.MANO		08.11.12	
TITLE	CARD CODE	DRAWING No.			REV
PIPE BEND WITH ONE STUB	U 01	SKETCH-02			00

CAUTION THE INFORMATION ON THIS DOCUMENT IS THE PROPERTY OF BHARAT HEAVY ELECTRICALS LIMITED. IT MUST NOT BE USED DIRECTLY OR INDIRECTLY IN ANY WAY DETRIMENTAL TO THE INTEREST OF THE COMPANY




NOTES:

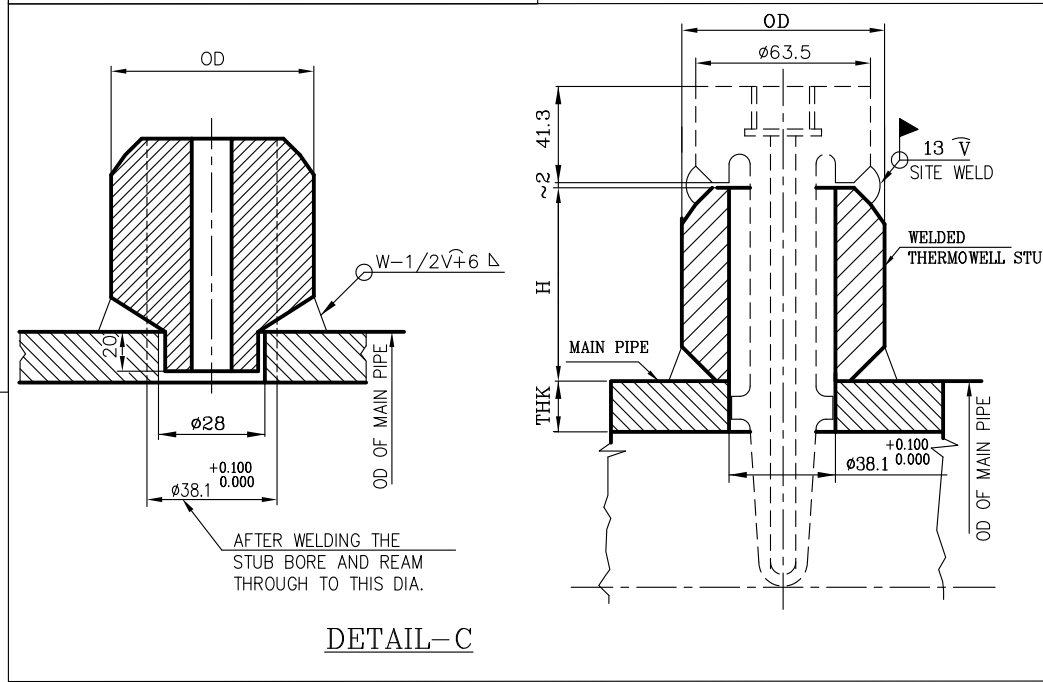
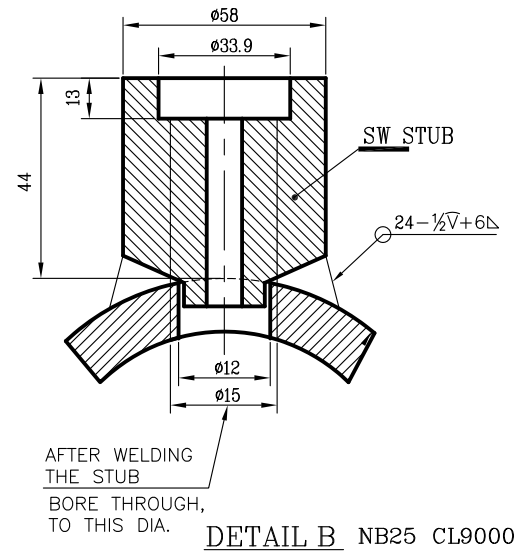
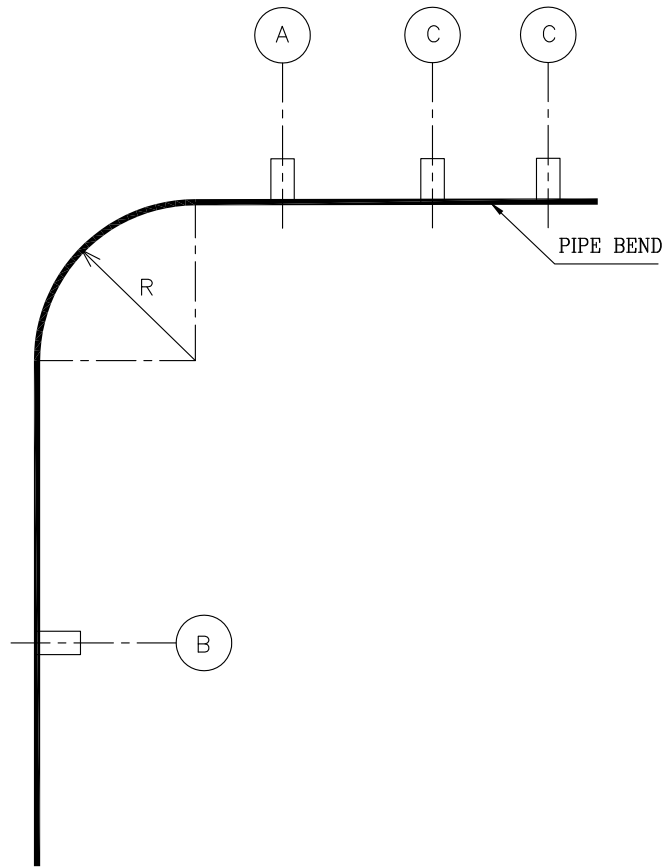
01. FOR EDGE PREPARATION REFER DRG NO:3-80-300-19825.
02. \otimes INDICATES RADIOGRAPHIC PLUG. IT IS TO BE GIVEN FOR ALL BENDS AS PER BHEL PRACTICE EXCEPT FOR P91 BENDS.
03. FOR RADIOGRAPHIC PLUG, REFER DRG NO: 6108-0022-REV08 IT IS TO BE PROVIDED AS INDICATED IN ISOMETRIC DRG.
04. ALL BENDS ARE UNDER THE PURVIEW OF IBR AND TO BE SUPPLIED WITH FORM-III A
05. RAW MATERIAL FOR PIPE BENDS WILL BE SUPPLIED AS STRAIGHT PIPES. RAW MATERIALS/FINISHED COMPONENTS FOR ATTACHMENTS WILL BE SUPPLIED BY BHEL



OD 762X32	SA335P91	1	OD 320X29.05	SA335P91	4
OD 762X27	SA335P91	2	OD 320X29.05	SA335P91	4
PIPE SIZE	SPECIFICATION	QUANTITY	TRUNNION SIZE	SPECIFICATION	QTY/BEND

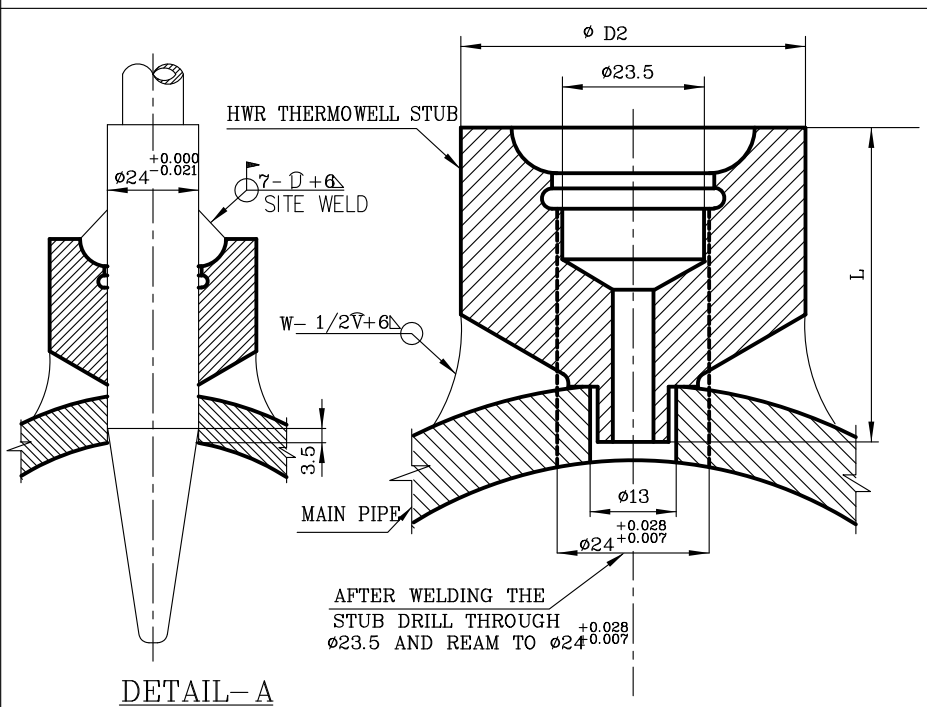
 BHARAT HEAVY ELECTRICALS LTD., PIPING CENTRE, CHENNAI 600 017	DRN	NAME	SIGN	DATE	NO OF ITEMS
	CHD	M.MANO		08.11.12	
	APPD	C.K.N		08.11.12	
TITLE	CARD CODE	DRAWING No.			REV
PIPE BEND WITH 2 TRUNNIONS	U 01	SKETCH-03			00

CAUTION THE INFORMATION ON THIS DOCUMENT IS THE PROPERTY OF BHARAT HEAVY ELECTRICALS LIMITED. IT MUST NOT BE USED DIRECTLY OR INDIRECTLY IN ANY WAY DETRIMENTAL TO THE INTEREST OF THE COMPANY




NOTES:

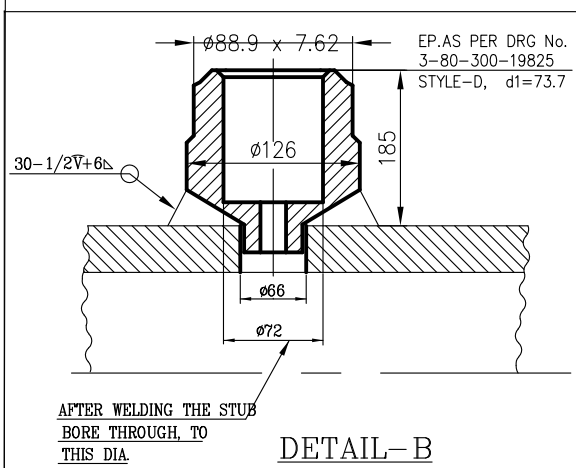
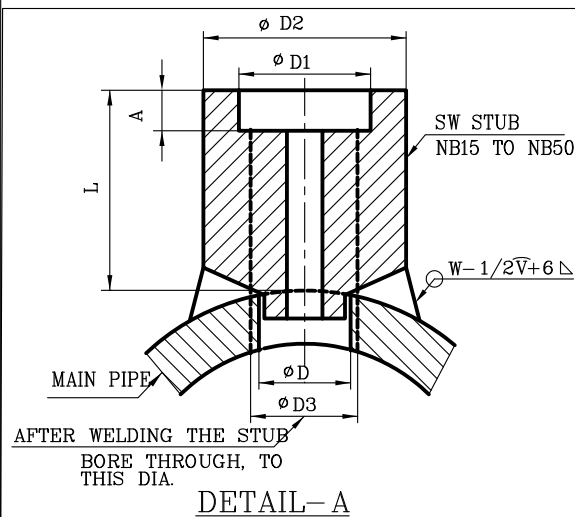
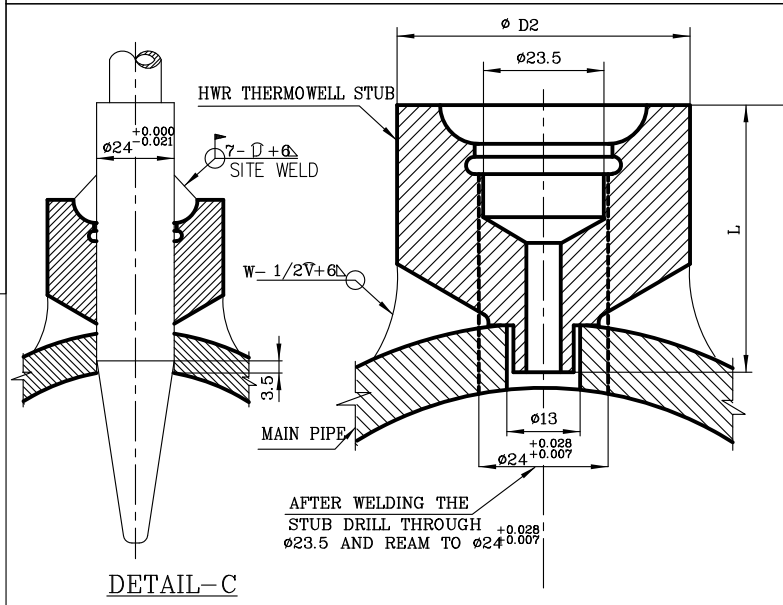
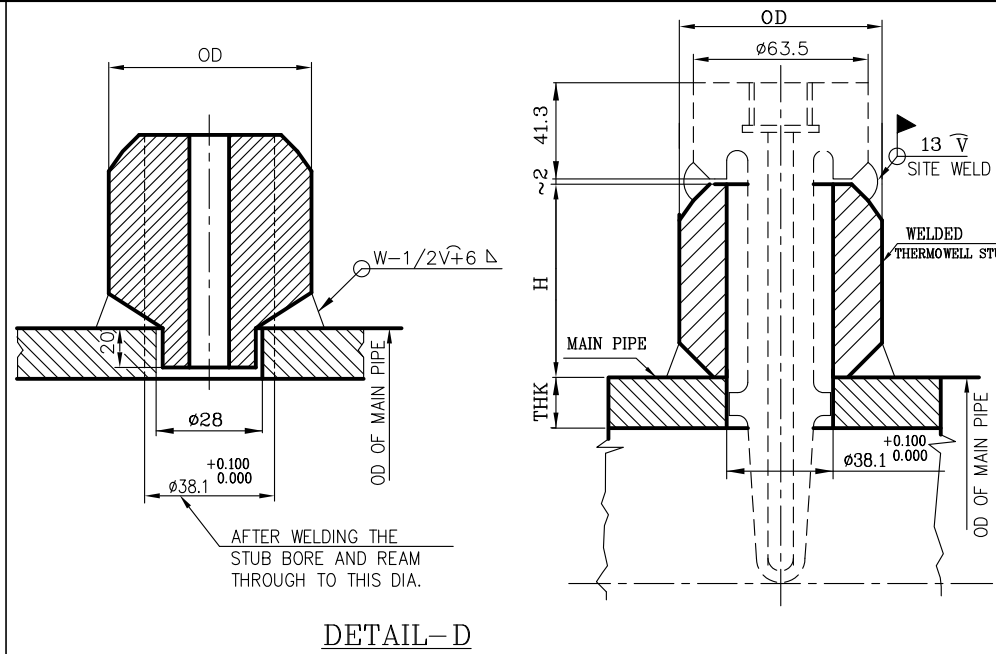
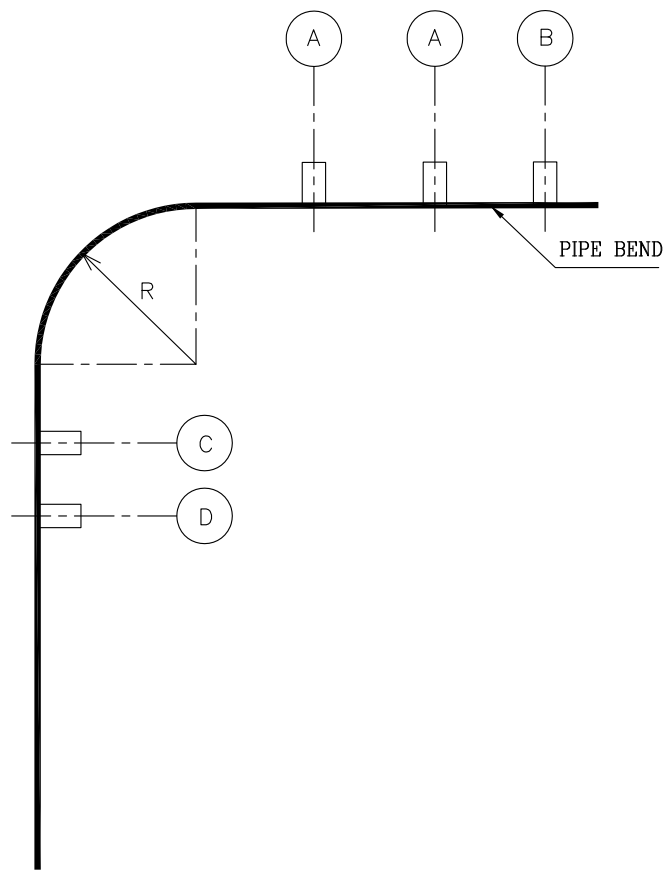
01. FOR EDGE PREPARATION REFER DRG NO:3-80-300-19825.
02. ⊗ INDICATES RADIOGRAPHIC PLUG. IT IS TO BE GIVEN FOR ALL BENDS AS PER BHEL PRACTICE EXCEPT FOR P91 BENDS.
03. FOR RADIOGRAPHIC PLUG, REFER DRG NO: 6108-0022-REV08 IT IS TO BE PROVIDED AS INDICATED IN ISOMETRIC DRG.
04. ALL BENDS ARE UNDER THE PURVIEW OF IBR AND TO BE SUPPLIED WITH FORM-III A
05. RAW MATERIAL FOR PIPE BENDS WILL BE SUPPLIED AS STRAIGHT PIPES. RAW MATERIALS/FINISHED COMPONENTS FOR ATTACHMENTS WILL BE SUPPLIED BY BHEL



PIPE SIZE	SPECIFICATION	QUANTITY	STUB OD	QTY/BEND	DETAILS
OD 711X30	SA335P91	1	88	2	THERMOWELL- H136
			58	1	SW NB25 CL9000
			75	1	TEMP STUB 30

 BHARAT HEAVY ELECTRICALS LTD., PIPING CENTRE, CHENNAI 600 017	DRN	NAME	SIGN	DATE	NO OF ITEMS
	CHD	M.MANO		08.11.12	
	APPD	C.K.N		08.11.12	
TITLE	CARD CODE	DRAWING No.		REV	
PIPE BEND WITH 4 STUBS	U 01	SKETCH-04		00	

CAUTION THE INFORMATION ON THIS DOCUMENT IS THE PROPERTY OF BHARAT HEAVY ELECTRICALS LIMITED. IT MUST NOT BE USED DIRECTLY OR INDIRECTLY IN ANY WAY DETRIMENTAL TO THE INTEREST OF THE COMPANY



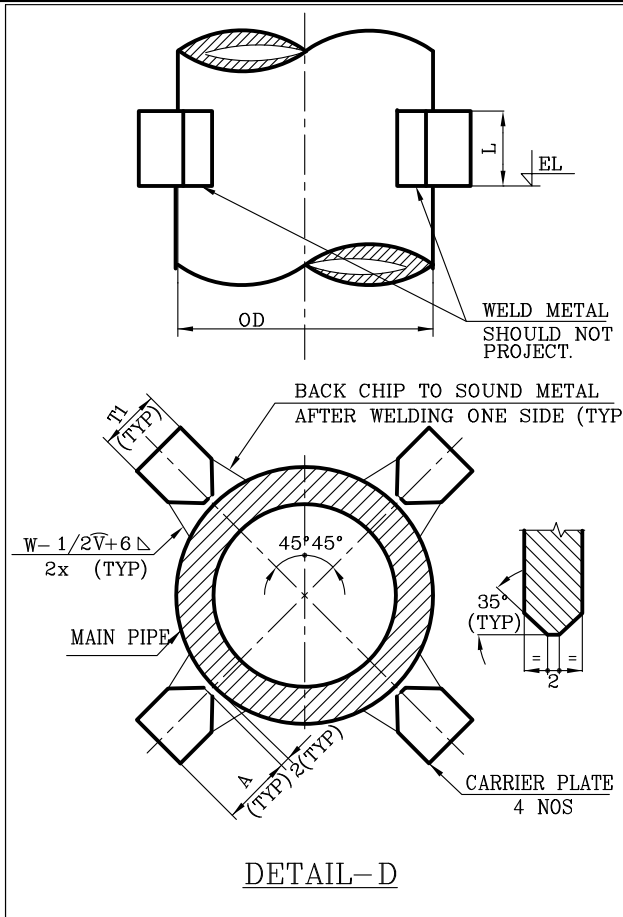
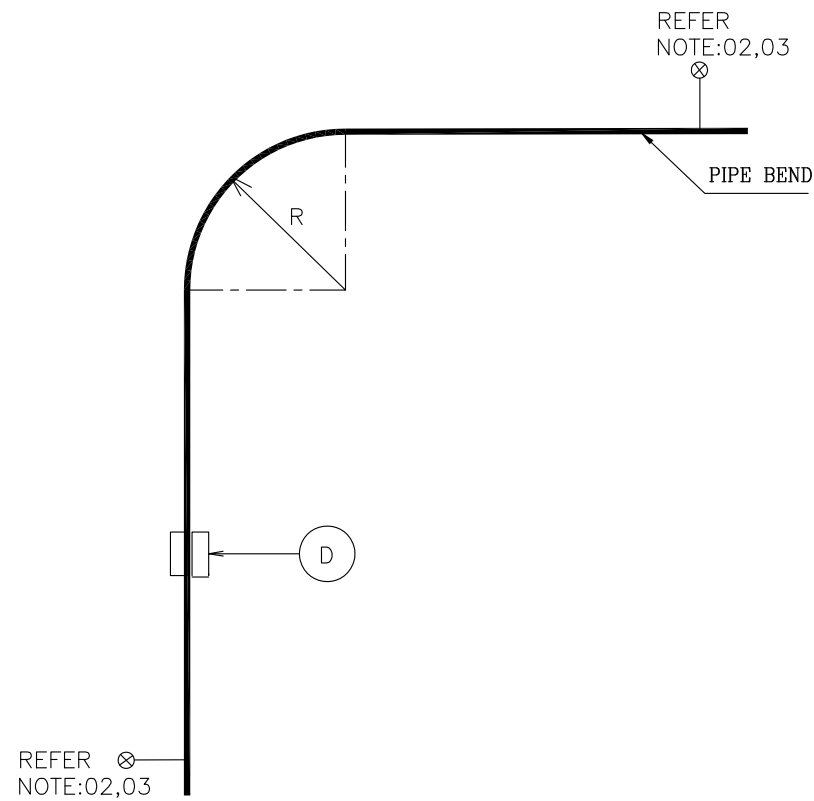
NOTES:

- FOR EDGE PREPARATION REFER DRG NO:3-80-300-19825.
- ⊗ INDICATES RADIOGRAPHIC PLUG. IT IS TO BE GIVEN FOR ALL BENDS AS PER BHEL PRACTICE EXCEPT FOR P91 BENDS.
- FOR RADIOGRAPHIC PLUG, REFER DRG NO: 6108-0022-REV08 IT IS TO BE PROVIDED AS INDICATED IN ISOMETRIC DRG.
- ALL BENDS ARE UNDER THE PURVIEW OF IBR AND TO BE SUPPLIED WITH FORM-III A
- RAW MATERIAL FOR PIPE BENDS WILL BE SUPPLIED AS STRAIGHT PIPES. RAW MATERIALS/FINISHED COMPONENTS FOR ATTACHMENTS WILL BE SUPPLIED BY BHEL

PIPE SIZE	SPECIFICATION	QUANTITY	STUB OD	QTY/BEND	DETAILS
OD 762X32	SA335P91	1	90	1	SW NB50 CL9000
			58	1	SW NB25 CL9000
			88	2	THERMOWELL STUB D88
OD 762X27	SA335P91	3	75	1	TEMP STUB 30
			58	1	SW NB25 CL9000
			78	2	THERMOWELL STUB D78
OD 711X52	SA335P22	2	75	1	TEMP STUB 30
			126	1	STUB 88.9
			58	2	SW NB25 CL9000
			75	2	TEMP STUB 30
			90	1	SW NB50 CL9000

BHARAT HEAVY ELECTRICALS LTD., PIPING CENTRE, CHENNAI 600 017	DRN	NAME	SIGN	DATE	NO OF ITEMS
	CHD	M.R.K		08.11.12	
	APPD	M.MANO		08.11.12	
TITLE	CARD CODE	DRAWING No.		REV	
PIPE BEND WITH 5 STUBS	U 01	SKETCH-05		00	

CAUTION THE INFORMATION ON THIS DOCUMENT IS THE PROPERTY OF BHARAT HEAVY ELECTRICALS LIMITED. IT MUST NOT BE USED DIRECTLY OR INDIRECTLY IN ANY WAY DETRIMENTAL TO THE INTEREST OF THE COMPANY



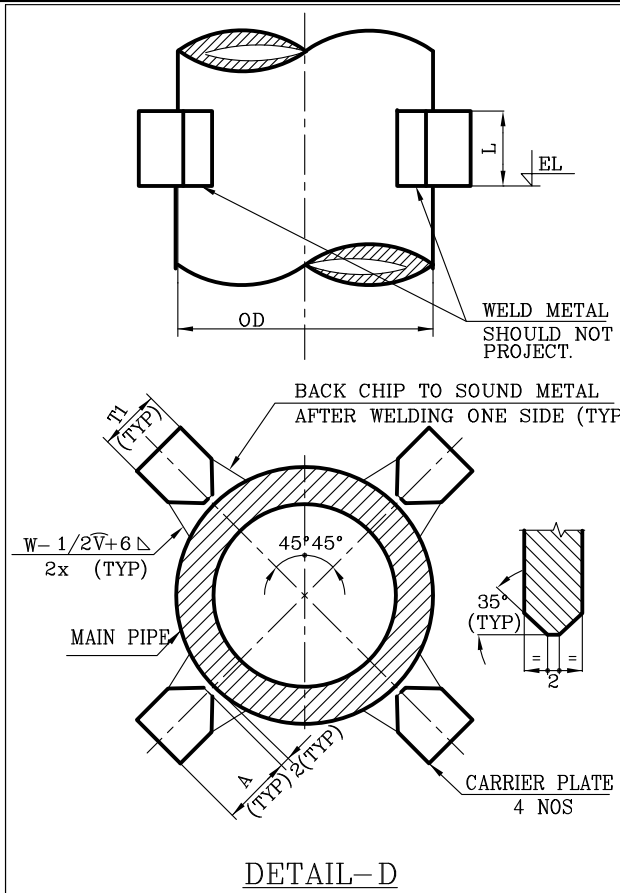
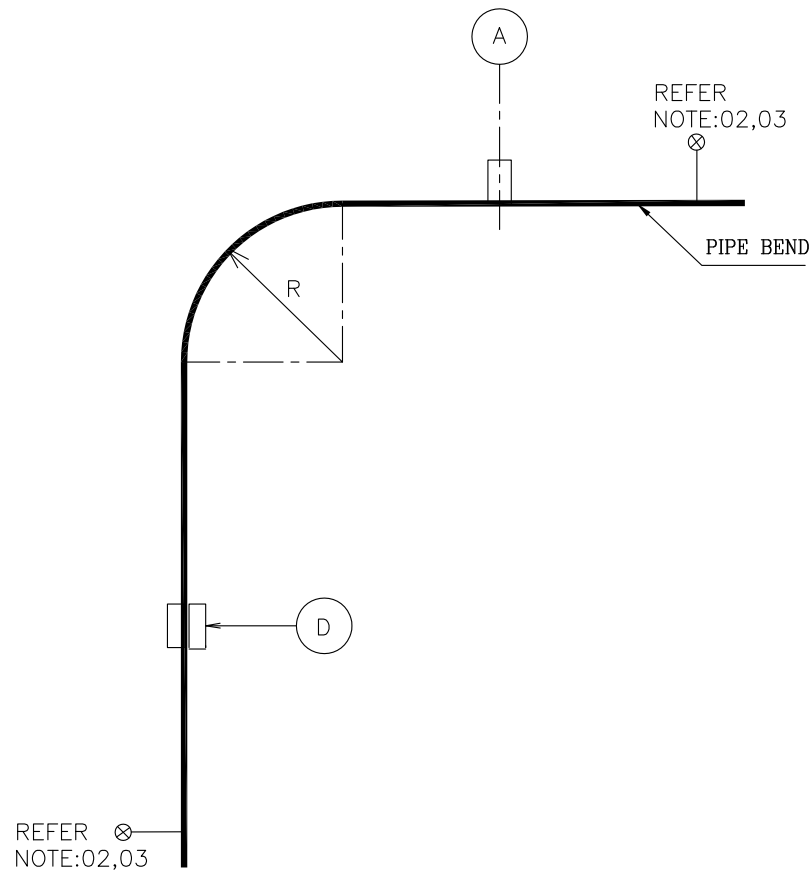
NOTES:

01. FOR EDGE PREPARATION REFER DRG NO:3-80-300-19825.
02. ⊗ INDICATES RADIOGRAPHIC PLUG. IT IS TO BE GIVEN FOR ALL BENDS AS PER BHEL PRACTICE EXCEPT FOR P91 BENDS.
03. FOR RADIOGRAPHIC PLUG, REFER DRG NO: 6108-0022-REV08 IT IS TO BE PROVIDED AS INDICATED IN ISOMETRIC DRG.
04. ALL BENDS ARE UNDER THE PURVIEW OF IBR AND TO BE SUPPLIED WITH FORM-III A
05. RAW MATERIAL FOR PIPE BENDS WILL BE SUPPLIED AS STRAIGHT PIPES. RAW MATERIALS/FINISHED COMPONENTS FOR ATTACHMENTS WILL BE SUPPLIED BY BHEL

OD965X35	SA335P91	2	PL30X50X150	SA387GRP91	4
OD965X29	SA335P91	4	PL30X50X150	SA387GRP91	4
OD813X52	SA335P91	12	PL30X50X150	SA387GRP91	4
OD762X32	SA335P91	3	PL30X50X150	SA387GRP91	4
OD762X29	SA335P91	5	PL30X50X150	SA387GRP91	4
OD762X27	SA335P91	8	PL30X50X150	SA387GRP91	4
OD762X23	SA335P91	12	PL30X50X150	SA387GRP91	4
OD711X52	SA335P91	6	PL40X50X170	SA387GRP91	4
OD711X46	SA335P91	4	PL40X50X170	SA387GRP91	4
OD711X30	SA335P91	1	PL30X50X150	SA387GRP91	4
OD711X25	SA335P91	11	PL30X50X150	SA387GRP91	4
OD524X72	SA335P91	2	PL40X50X170	SA387GRP91	4
OD965X47	SA335P22	2	PL25X55X150	SA387GR22	4
OD762X40	SA335P22	2	PL40X60X250	SA387GR22	4
OD711X40	SA335P22	2	PL40X50X160	SA387GR22	4
PIPE SIZE	SPECIFICATION	QUANTITY	CP SIZE	CP SPEC	QTY/BEND

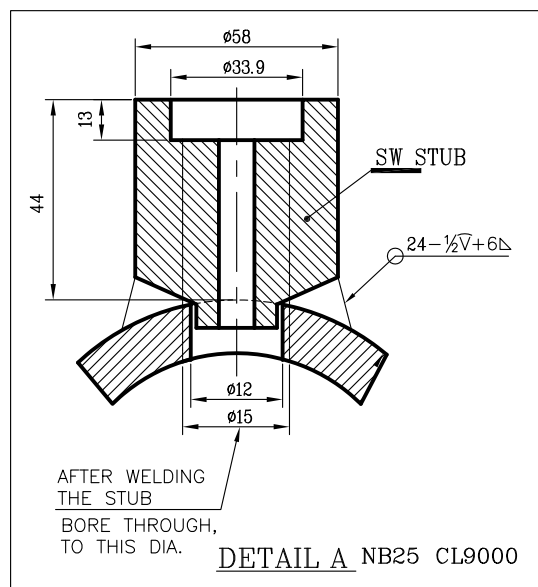
	BHARAT HEAVY ELECTRICALS LTD.,		DRN	NAME	SIGN	DATE	NO OF ITEMS
	PIPING CENTRE,		CHD	M.R.K		08.11.12	
	CHENNAI 600 017		APPD	M.MANO		08.11.12	
TITLE		CARD CODE	DRAWING No.		REV		
PIPE BEND WITH CARRIER PLATE		U 01	SKETCH-06		00		

CAUTION THE INFORMATION ON THIS DOCUMENT IS THE PROPERTY OF BHARAT HEAVY ELECTRICALS LIMITED. IT MUST NOT BE USED DIRECTLY OR INDIRECTLY IN ANY WAY DETRIMENTAL TO THE INTEREST OF THE COMPANY



NOTES:

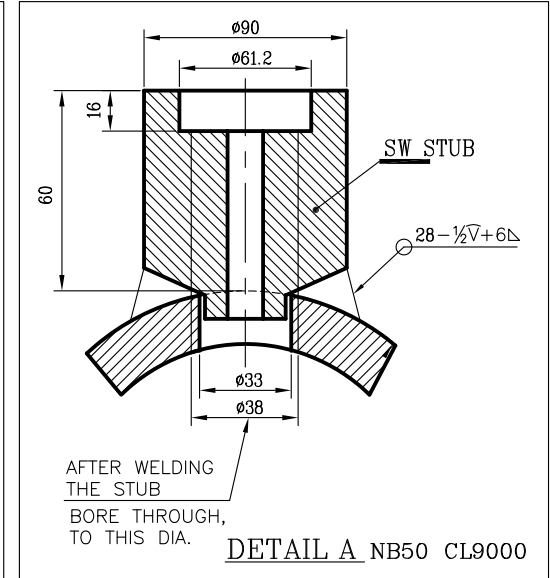
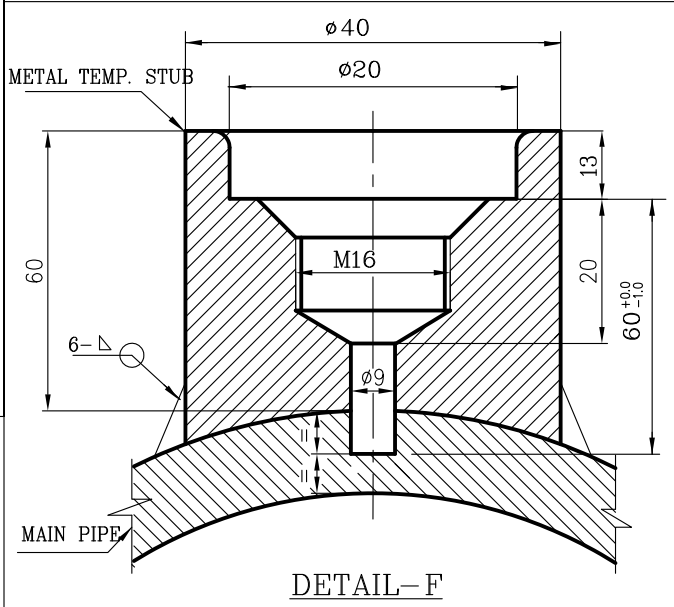
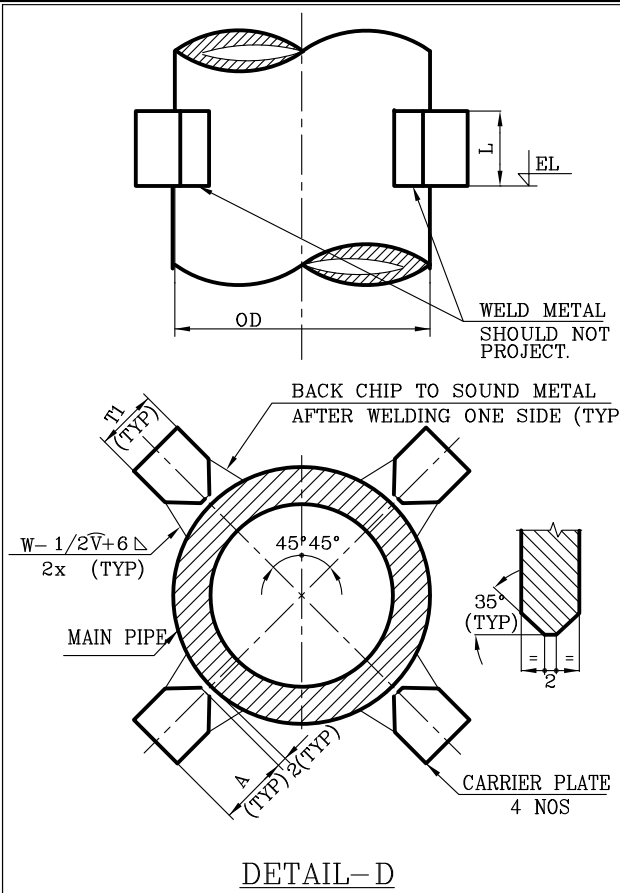
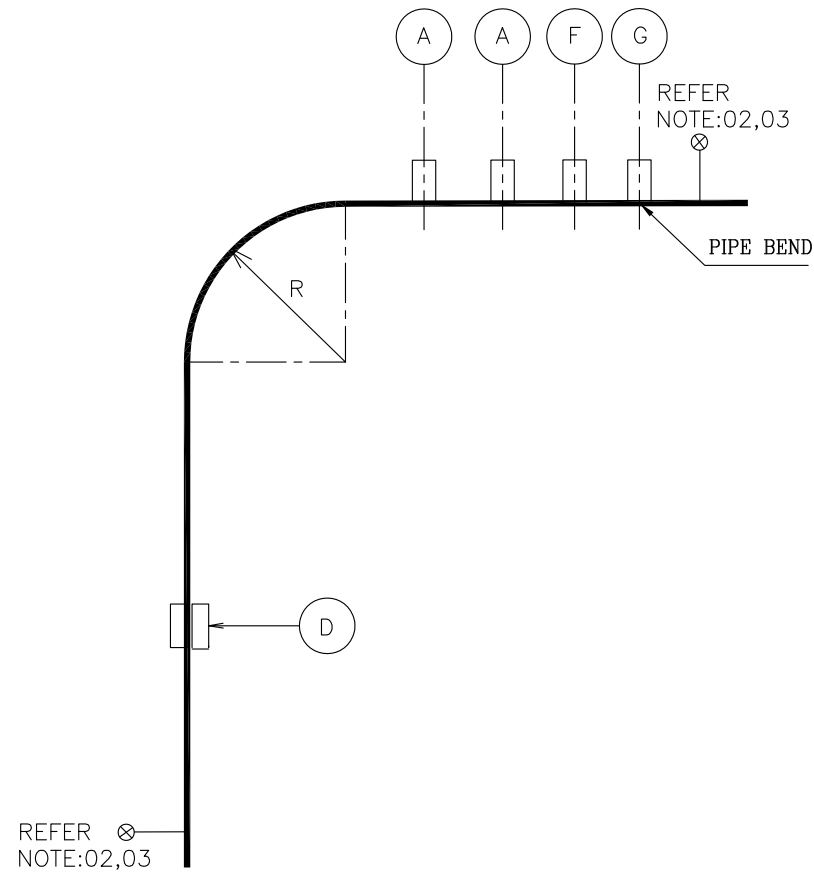
01. FOR EDGE PREPARATION REFER DRG NO:3-80-300-19825.
02. ⊗ INDICATES RADIOGRAPHIC PLUG. IT IS TO BE GIVEN FOR ALL BENDS AS PER BHEL PRACTICE EXCEPT FOR P91 BENDS.
03. FOR RADIOGRAPHIC PLUG, REFER DRG NO: 6108-0022-REV08 IT IS TO BE PROVIDED AS INDICATED IN ISOMETRIC DRG.
04. ALL BENDS ARE UNDER THE PURVIEW OF IBR AND TO BE SUPPLIED WITH FORM-III A
05. RAW MATERIAL FOR PIPE BENDS WILL BE SUPPLIED AS STRAIGHT PIPES. RAW MATERIALS/FINISHED COMPONENTS FOR ATTACHMENTS WILL BE SUPPLIED BY BHEL



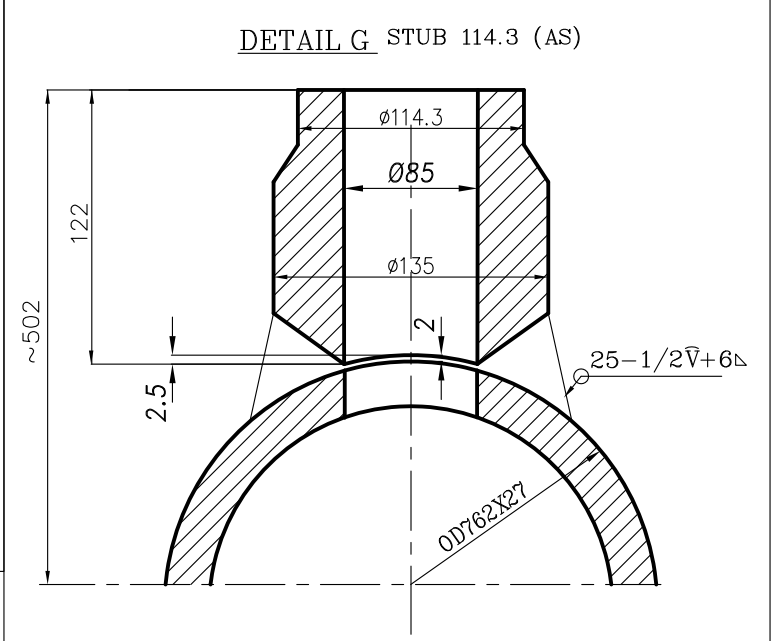
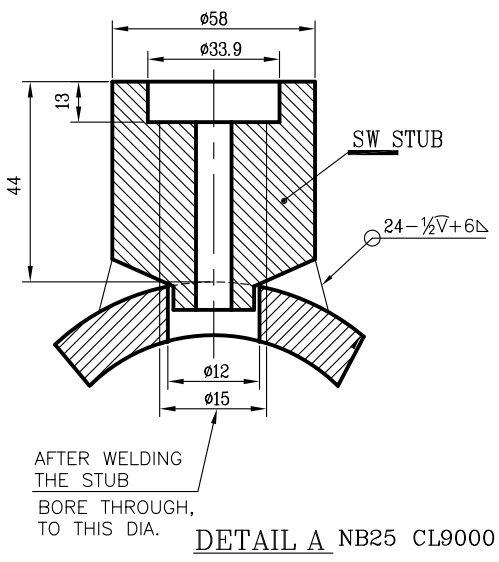
PIPE SIZE	SPECIFICATION	QTY	CP SIZE	CP SPEC	QTY /BEND	STUB OD	STUB TYPE	QTY /BEND
OD762X29	SA335P91	1	PL30X50X150	SA387GRP91	4	58	NB25 CL9000	1
OD762X27	SA335P91	1	PL25X55X150	SA387GRP91	4	58	NB25 CL9000	1
OD762X23	SA335P91	6	PL30X50X150	SA387GRP91	4	58	NB25 CL9000	1
OD711X25	SA335P91	2	PL30X50X150	SA387GRP91	4	58	NB25 CL9000	1

	BHARAT HEAVY ELECTRICALS LTD., PIPING CENTRE, CHENNAI 600 017		DRN	NAME	SIGN	DATE	NO OF
			CHD	M.R.K		08.11.12	ITEMS
			APPD	M.MANO		08.11.12	
TITLE PIPE BEND WITH CARRIER PLATE AND 1 STUB			CARD CODE	DRAWING No.			REV
			U 01	SKETCH-07			00

CAUTION THE INFORMATION ON THIS DOCUMENT IS THE PROPERTY OF BHARAT HEAVY ELECTRICALS LIMITED. IT MUST NOT BE USED DIRECTLY OR INDIRECTLY IN ANY WAY DETRIMENTAL TO THE INTEREST OF THE COMPANY



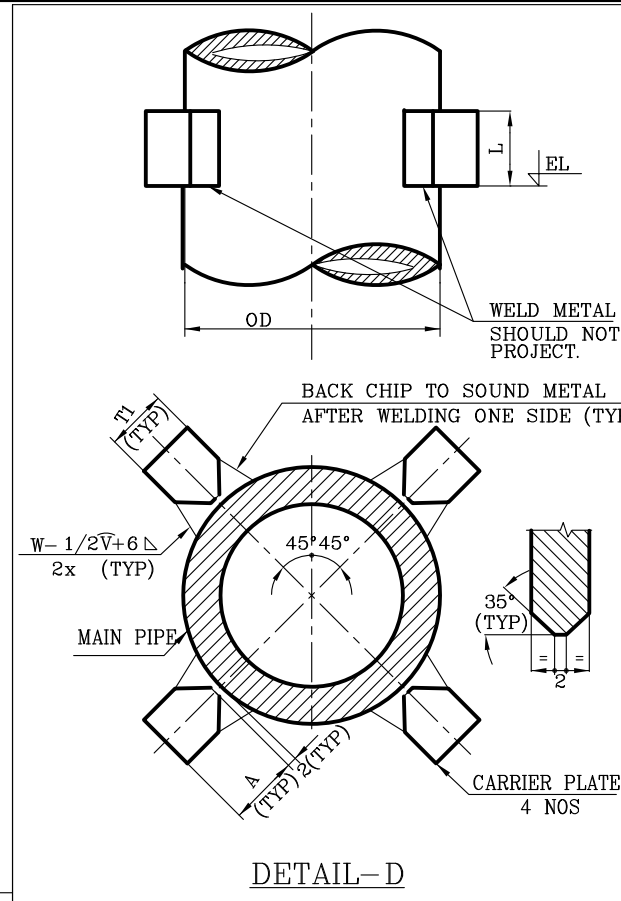
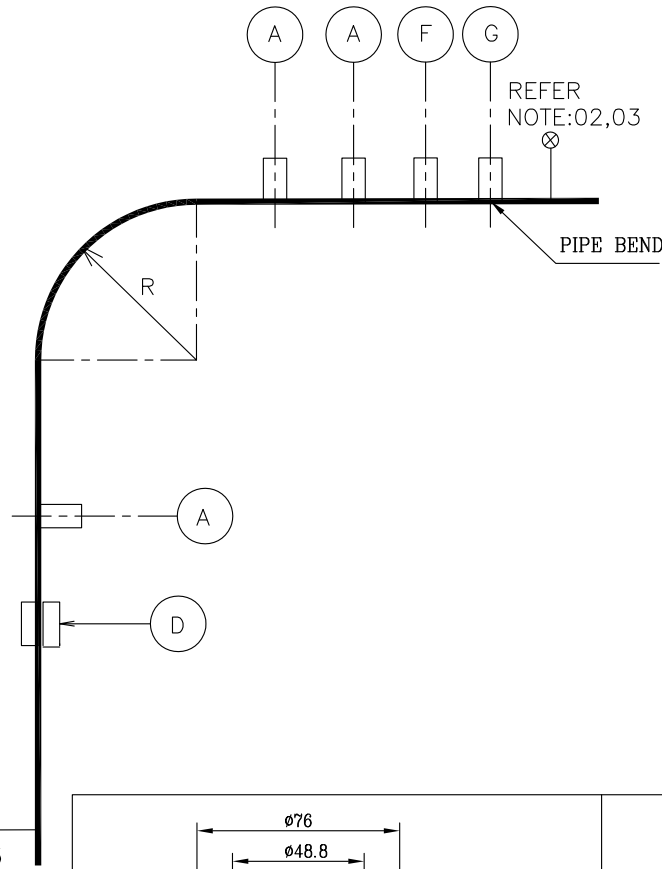
- NOTES:
- FOR EDGE PREPARATION REFER DRG NO:3-80-300-19825.
 - ⊗ INDICATES RADIOGRAPHIC PLUG. IT IS TO BE GIVEN FOR ALL BENDS AS PER BHEL PRACTICE EXCEPT FOR P91 BENDS.
 - FOR RADIOGRAPHIC PLUG, REFER DRG NO: 6108-0022-REV08 IT IS TO BE PROVIDED AS INDICATED IN ISOMETRIC DRG.
 - ALL BENDS ARE UNDER THE PURVIEW OF IBR AND TO BE SUPPLIED WITH FORM-III A
 - RAW MATERIAL FOR PIPE BENDS WILL BE SUPPLIED AS STRAIGHT PIPES. RAW MATERIALS/FINISHED COMPONENTS FOR ATTACHMENTS WILL BE SUPPLIED BY BHEL



PIPE SIZE	SPECIFICATION	QTY	CP SIZE	CP SPEC	QTY /BEND	STUB OD	STUB TYPE	QTY /BEND
OD762X27	SA335P91	3	PL30X50X150	SA387GRP91	4	135	STUB 114.3 (AS)	1
						90	NB50 CL9000	1
						58	NB25 CL9000	1
						40	METAL TEMP	1

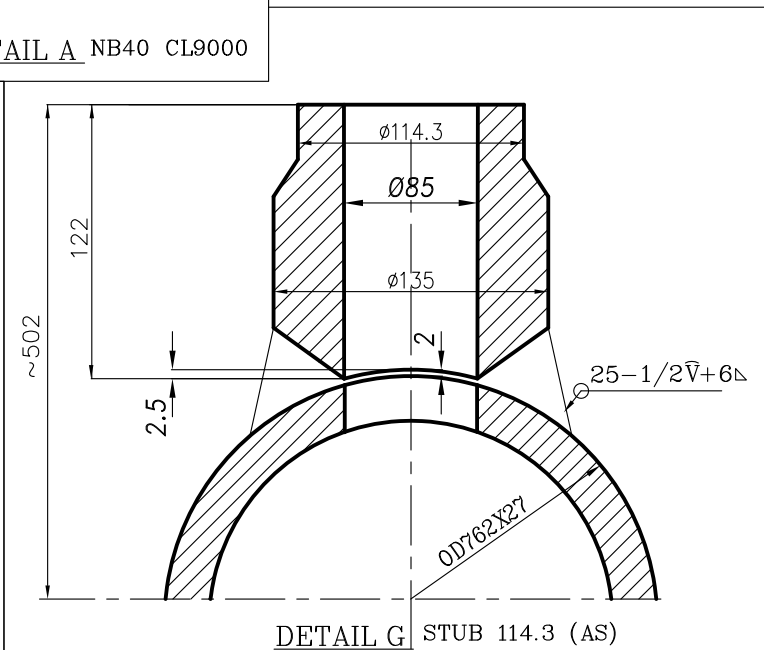
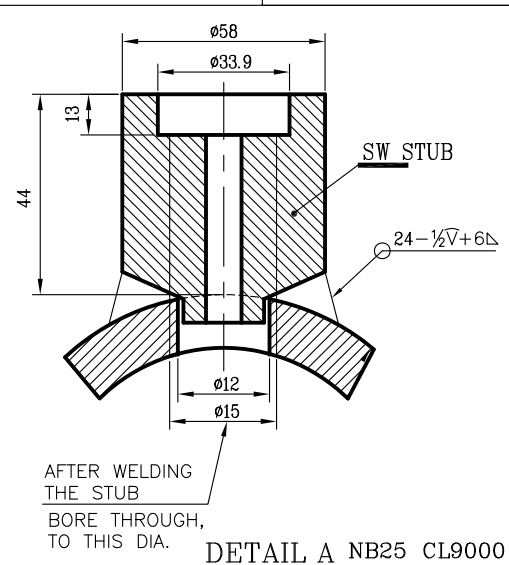
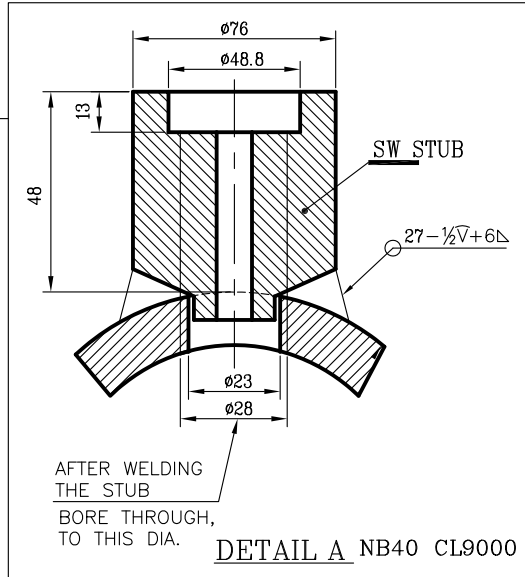
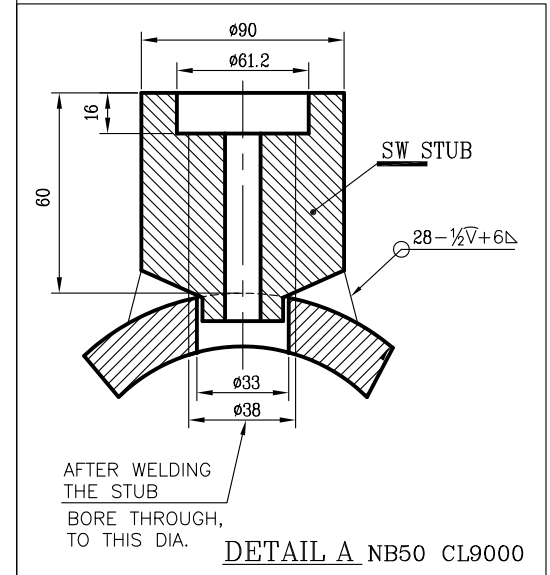
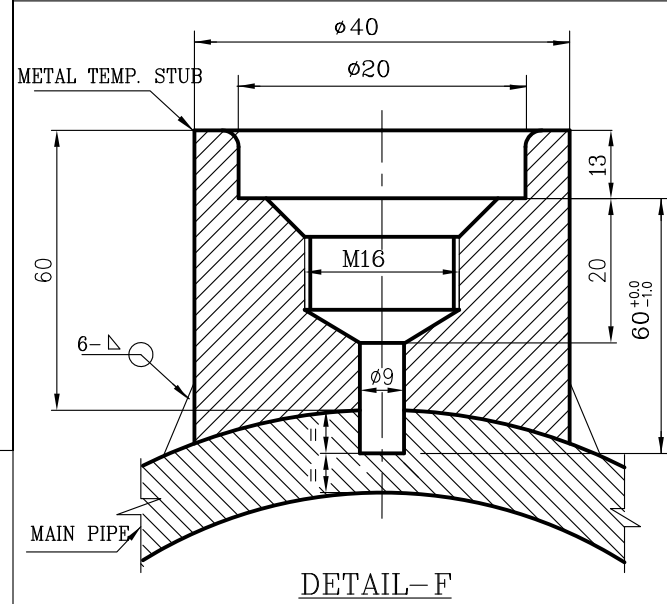
	BHARAT HEAVY ELECTRICALS LTD., PIPING CENTRE, CHENNAI 600 017		DRN	NAME	SIGN	DATE	NO OF ITEMS
	CHD	M.MANO		M.R.K		08.11.12	
	APPD	C.K.N				08.11.12	
TITLE PIPE BEND WITH CARRIER PLATE AND 4 STUB			CARD CODE	DRAWING No.			REV
			U 01	SKETCH-08			00

CAUTION THE INFORMATION ON THIS DOCUMENT IS THE PROPERTY OF BHARAT HEAVY ELECTRICALS LIMITED. IT MUST NOT BE USED DIRECTLY OR INDIRECTLY IN ANY WAY DETRIMENTAL TO THE INTEREST OF THE COMPANY



NOTES:

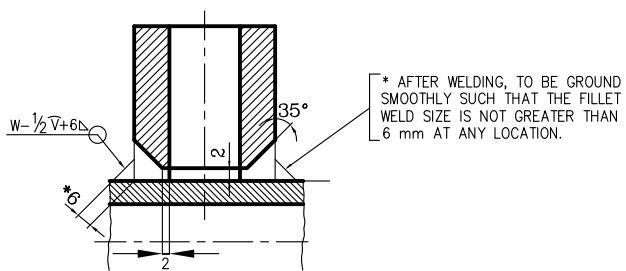
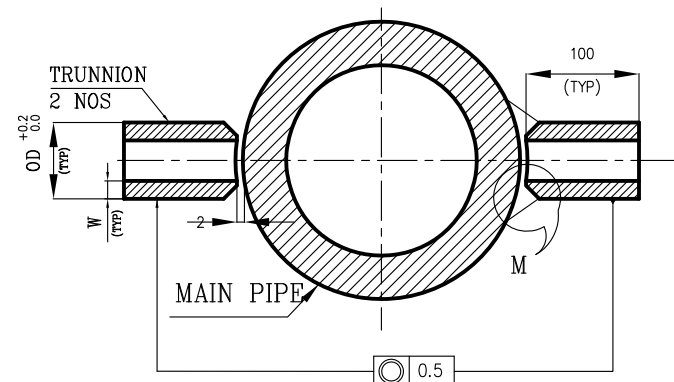
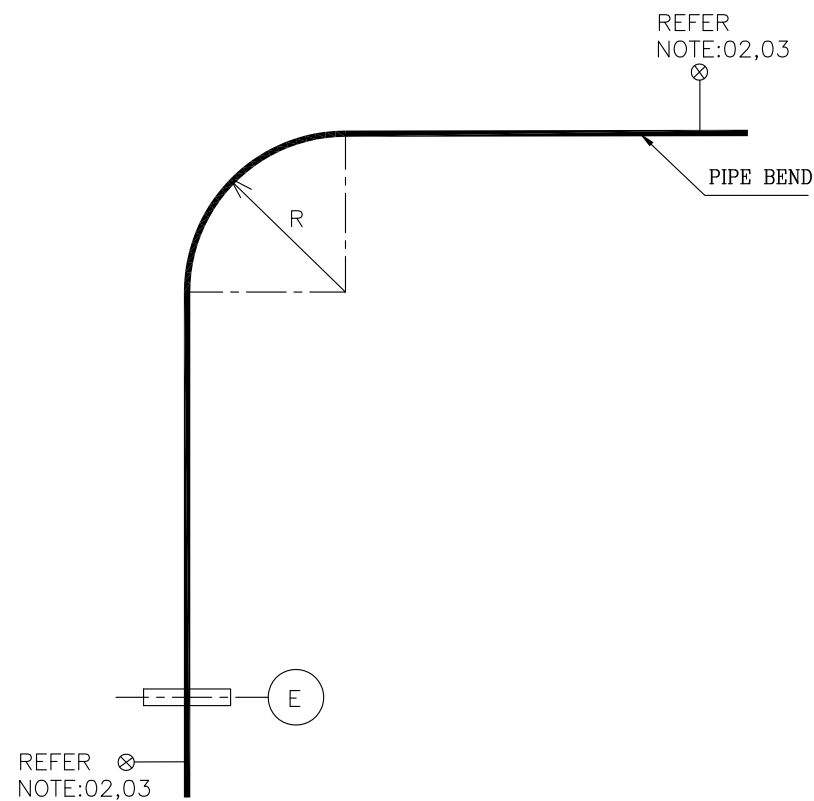
- FOR EDGE PREPARATION REFER DRG NO:3-80-300-19825.
- ⊗ INDICATES RADIOGRAPHIC PLUG. IT IS TO BE GIVEN FOR ALL BENDS AS PER BHEL PRACTICE EXCEPT FOR P91 BENDS.
- FOR RADIOGRAPHIC PLUG, REFER DRG NO: 6108-0022-REV08 IT IS TO BE PROVIDED AS INDICATED IN ISOMETRIC DRG.
- ALL BENDS ARE UNDER THE PURVIEW OF IBR AND TO BE SUPPLIED WITH FORM-III A
- RAW MATERIAL FOR PIPE BENDS WILL BE SUPPLIED AS STRAIGHT PIPES. RAW MATERIALS/FINISHED COMPONENTS FOR ATTACHMENTS WILL BE SUPPLIED BY BHEL



PIPE SIZE	SPECIFICATION	QTY	CP SIZE	CP SPEC	QTY /BEND	STUB OD	STUB TYPE	QTY /BEND
OD762X27	SA335P91	3	PL30X50X150	SA387GRP91	4	135	STUB 114.3 (AS)	1
						90	NB50 CL9000	1
						58	NB25 CL9000	2
						40	METAL TEMP	1
OD711X30	SA335P91	2	PL30X50X150	SA387GRP91	4	135	STUB 114.3 (AS)	1
						76	NB40 CL9000	1
						58	NB25 CL9000	2
						40	METAL TEMP	1

	BHARAT HEAVY ELECTRICALS LTD.,		DRN	NAME	SIGN	DATE	NO OF ITEMS
	PIPING CENTRE,		CHD	M.R.K		08.11.12	
	CHENNAI 600 017		APPD	M.MANO		08.11.12	
TITLE			CARD CODE	DRAWING No.		REV	
PIPE BEND WITH CARRIER PLATE AND 4 STUB			U 01	SKETCH-09		00	

CAUTION THE INFORMATION ON THIS DOCUMENT IS THE PROPERTY OF BHARAT HEAVY ELECTRICALS LIMITED. IT MUST NOT BE USED DIRECTLY OR INDIRECTLY IN ANY WAY DETRIMENTAL TO THE INTEREST OF THE COMPANY




DETAIL-M

DETAIL-E

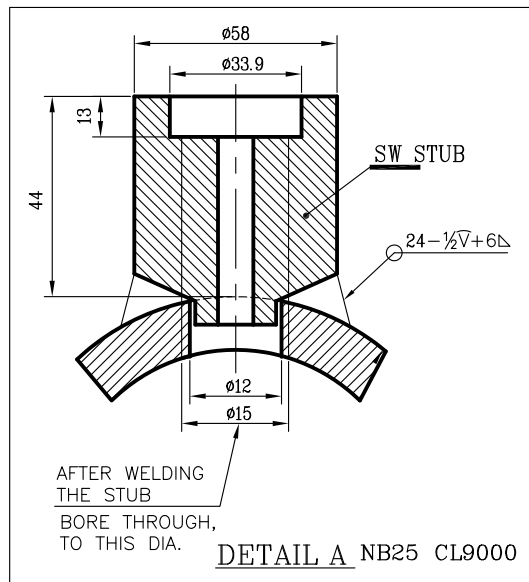
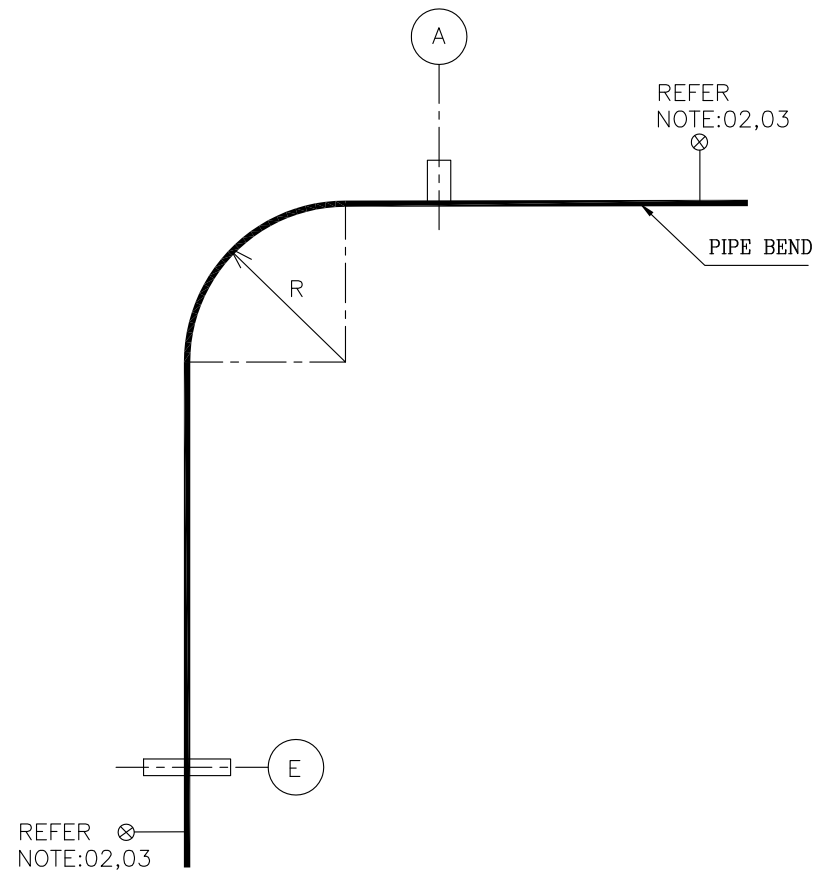
NOTES:

01. FOR EDGE PREPARATION REFER DRG NO:3-80-300-19825.
02. ⊗ INDICATES RADIOGRAPHIC PLUG. IT IS TO BE GIVEN FOR ALL BENDS AS PER BHEL PRACTICE EXCEPT FOR P91 BENDS.
03. FOR RADIOGRAPHIC PLUG, REFER DRG NO: 6108-0022-REV08 IT IS TO BE PROVIDED AS INDICATED IN ISOMETRIC DRG.
04. ALL BENDS ARE UNDER THE PURVIEW OF IBR AND TO BE SUPPLIED WITH FORM-III A
05. RAW MATERIAL FOR PIPE BENDS WILL BE SUPPLIED AS STRAIGHT PIPES. RAW MATERIALS/FINISHED COMPONENTS FOR ATTACHMENTS WILL BE SUPPLIED BY BHEL

OD965X35	SA335P91	1	OD320X29.05	SA335P91	2
OD965X29	SA335P91	2	OD320X29.05	SA335P91	2
OD914X32	SA335P91	1	OD272X24.5	SA335P91	2
OD813X52	SA335P91	4	OD270X23	SA335P91	2
OD762X27	SA335P91	1	OD320X29.05	SA335P91	2
OD711X52	SA335P91	2	OD218X21	SA335P91	2
OD711X46	SA335P91	3	OD218X21	SA335P91	2
OD711X30	SA335P91	1	OD272X24.5	SA335P91	2
OD711X25	SA335P91	2	OD218X21	SA335P91	2
			OD272X24.5	SA335P91	2
OD965X57	SA335P22	1	OD272X35.5	SA335P22	2
OD965X47	SA335P22	2	OD270X43.5	SA335P22	2
OD965X42	SA335P22	1	OD270X43.5	SA335P22	2
OD762X40	SA335P22	4	OD272X35	SA335P22	2
PIPE SIZE	SPECIFICATION	QUANTITY	TRUNNION SIZE	TRUNNION SPEC	QTY/BEND

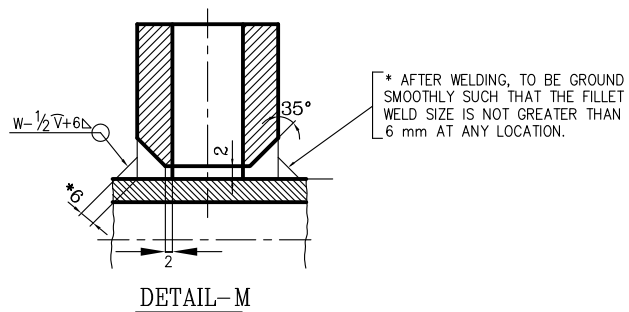
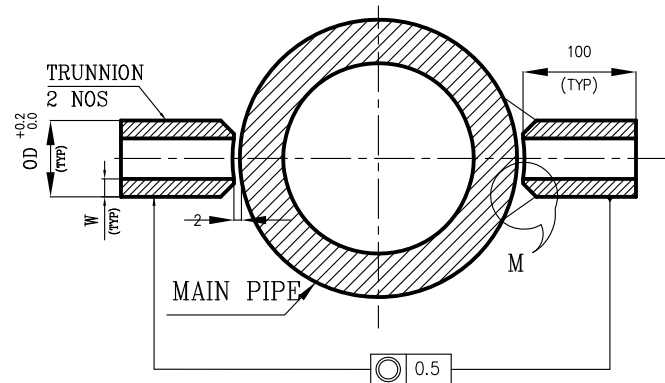
 BHARAT HEAVY ELECTRICALS LTD., PIPING CENTRE, CHENNAI 600 017	DRN	NAME	SIGN	DATE	NO OF ITEMS
	CHD	M.R.K		08.11.12	
	APPD	M.MANO		08.11.12	
		C.K.N		08.11.12	
TITLE	CARD CODE	DRAWING No.		REV	
PIPE BEND WITH TRUNNION	U 01	SKETCH-10		00	

CAUTION THE INFORMATION ON THIS DOCUMENT IS THE PROPERTY OF BHARAT HEAVY ELECTRICALS LIMITED. IT MUST NOT BE USED DIRECTLY OR INDIRECTLY IN ANY WAY DETRIMENTAL TO THE INTEREST OF THE COMPANY



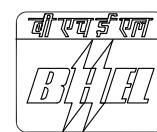
NOTES:

01. FOR EDGE PREPARATION REFER DRG NO:3-80-300-19825.
02. ⊗ INDICATES RADIOGRAPHIC PLUG. IT IS TO BE GIVEN FOR ALL BENDS AS PER BHEL PRACTICE EXCEPT FOR P91 BENDS.
03. FOR RADIOGRAPHIC PLUG, REFER DRG NO: 6108-0022-REV08 IT IS TO BE PROVIDED AS INDICATED IN ISOMETRIC DRG.
04. ALL BENDS ARE UNDER THE PURVIEW OF IBR AND TO BE SUPPLIED WITH FORM-III A
05. RAW MATERIAL FOR PIPE BENDS WILL BE SUPPLIED AS STRAIGHT PIPES. RAW MATERIALS/FINISHED COMPONENTS FOR ATTACHMENTS WILL BE SUPPLIED BY BHEL



DETAIL-E

OD711X52	SA335P91	4	OD218X21	SA335P91	2	58	NB25 CL9000	1
PIPE SIZE	SPECIFICATION	QUANTITY	TRUNNION SIZE	TRUNNION SPEC	QTY/BEND	STUB OD	STUB TYPE	QTY /BEND



BHARAT HEAVY ELECTRICALS LTD.,
PIPING CENTRE,
CHENNAI 600 017

DRN	NAME	SIGN	DATE	NO OF
CHD	M.R.K		08.11.12	ITEMS
APPD	M.MANO		08.11.12	
	C.K.N		08.11.12	

TITLE	CARD CODE	DRAWING No.	REV
PIPE BEND WITH TRUNNION AND 1 STUB	U 01	SKETCH-11	00