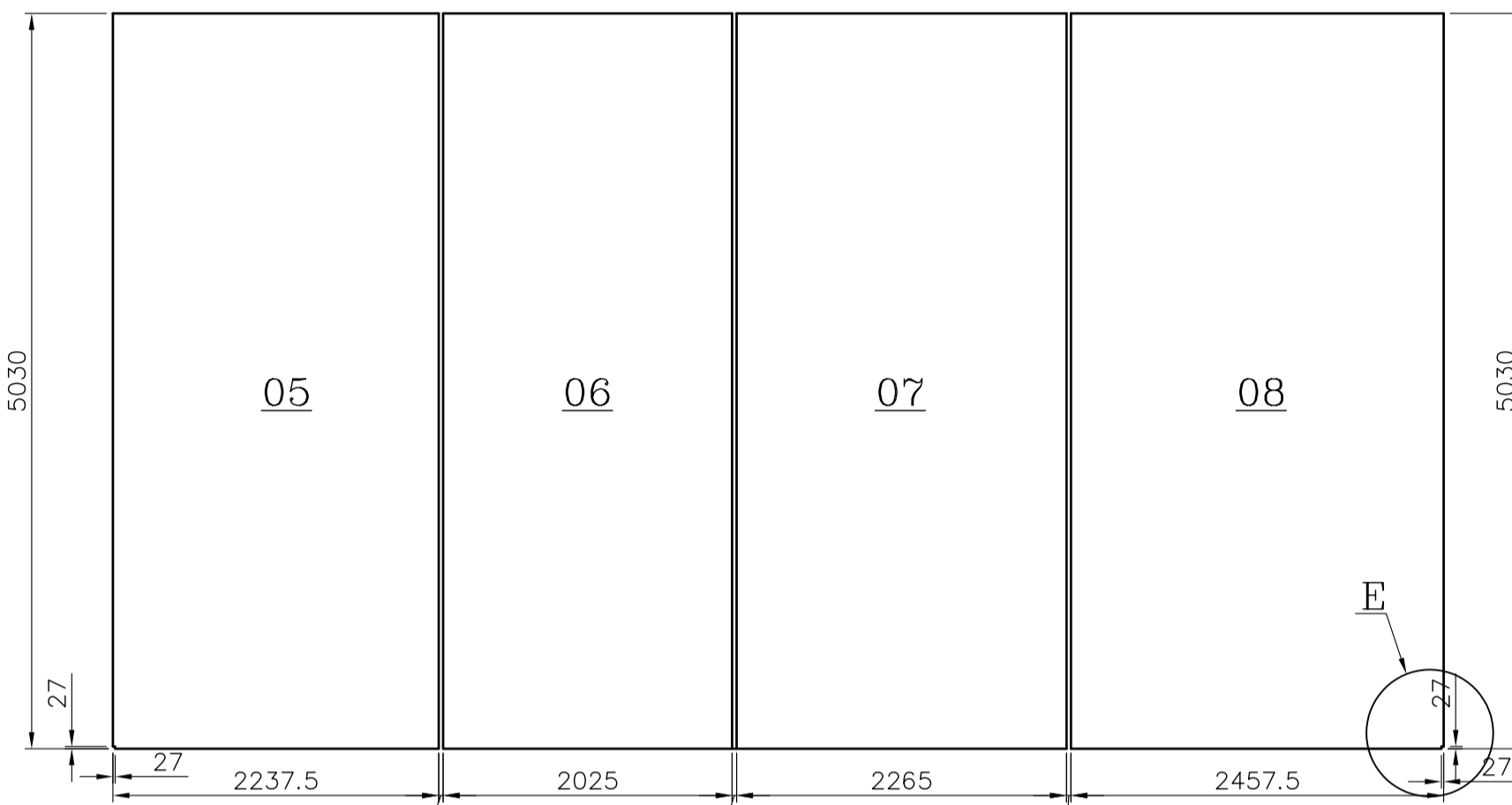


NOTE:

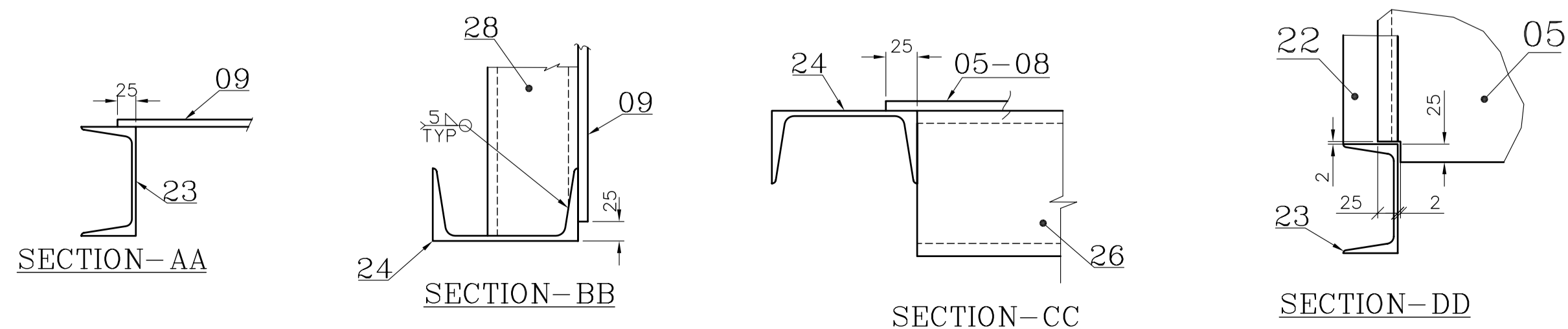
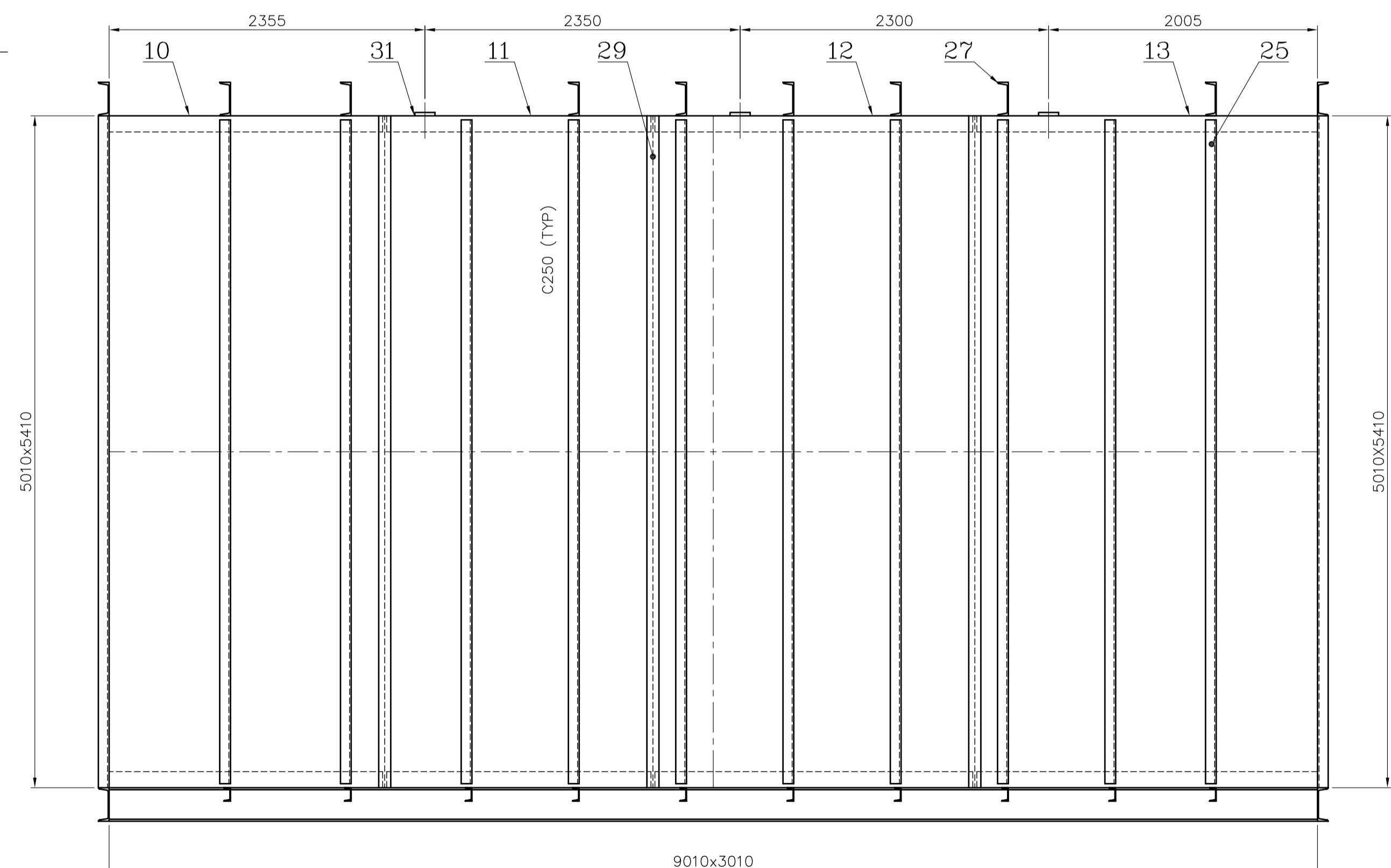
01. FOR GENERAL NOTES REFER PAGE NO. 41 (REF:41) OF DUCT CONSTRUCTION MANUAL. REF122 FOR CONSTRUCTION DETAIL.
02. NTPC, CORNER SS TYPE, FIELD ASSEMBLED DUCT



DETAIL- E

DESPATCH TABLE

SL. NO.	DESCRIPTION	DU NO.	NO. OFF	ITEM NO. NO.OFF				
				01	14	22	25	29
1	T DUCT WALL	067	1	01	14	22	25	29
2	T DUCT WALL	068	1	1	2	1	2	1
3	T DUCT WALL	069	1	03	16	25	29	
4	T DUCT WALL	070	1	1	2	1	3	
5	T DUCT WALL	071	1	05	18	22	26	30
6	T DUCT WALL	072	1	1	1	1	3	1
7	T DUCT WALL	073	1	07	20	26	30	
8	T DUCT WALL	074	1	1	1	1	3	
9	T DUCT WALL	075	1	09	24	28		
10	T DUCT WALL	076	1	10	23	27		
11	T DUCT WALL	077	1	1	1	2		
12	T DUCT WALL	078	1	12	27	31		
13	T DUCT WALL	079	1	1	3	1		
14	CHANNEL	080	2	23				
15	CHANNEL	081	1	24				



ITEM NO.	DESCRIPTION	STD	DRAWING NUMBER	ITEM NO	MATERIAL CODE	A/C/P	UNIT WEIGHT	CS	ZONE
VAR/NT NUMBER	ITEM NUMBER			VAR NO	MATERIAL SPECN	DI	QUANTITY		
31	PLATE 5 125x5400				150110290000 IS2062Fe410A		26.490		
30	PLATE 5 125x4955				150110290000 IS2062Fe410A		24.310		
29	PLATE 5 125x5000				150110290000 IS2062Fe410A		24.530		
28	ISM 100 2365				150100030000 IS2062Fe410A		22.600		
27	ISM 250 5350				150100340000 IS2062Fe410A		182.970		
26	ISM 250 4980				150100340000 IS2062Fe410A		170.310		
25	ISM 250 4950				150100340000 IS2062Fe410A		169.290		
24	ISM 250 9010				150100340000 IS2062Fe410A		308.140		
23	ISM 250 5410				150100340000 IS2062Fe410A		185.020		
22	ISM 250 5510				150100340000 IS2062Fe410A		188.440		
21	ISA 75X75X6 2468.5				150130050000 IS2062Fe410A		16.780		
20	ISA 75X75X6 2287				150130050000 IS2062Fe410A		15.550		
19	ISA 75X75X6 2047				150130050000 IS2062Fe410A		13.920		
18	ISA 75X75X6 2248.5				150130050000 IS2062Fe410A		15.290		
17	ISA 75X75X6 2578.5				150130050000 IS2062Fe410A		17.530		
16	ISA 75X75X6 2397				150130050000 IS2062Fe410A		16.300		
15	ISA 75X75X6 1997				150130050000 IS2062Fe410A		13.580		
14	ISA 75X75X6 2078.5				150130050000 IS2062Fe410A		14.130		
13	PLATE 5 5400x2017.5				150110290000 IS2062Fe410A		427.600		
12	PLATE 5 5400x2275				150110290000 IS2062Fe410A		482.180		
11	PLATE 5 5400x2325				150110290000 IS2062Fe410A		492.780		
10	PLATE 5 5400x2367.5				150110290000 IS2062Fe410A		501.790		
09	PLATE 5 2370x9060				150110290000 IS2062Fe410A		842.780		
08	PLATE 5 5030x2457.5				150110290000 IS2062Fe410A		485.140		
07	PLATE 5 5030x2265				150110290000 IS2062Fe410A		447.170		
06	PLATE 5 5030x2025				150110290000 IS2062Fe410A		399.790		
05	PLATE 5 5030x2237.5				150110290000 IS2062Fe410A		441.710		
04	PLATE 5 5000x2567.5				150110290000 IS2062Fe410A		503.870		
03	PLATE 5 5000x2375				150110290000 IS2062Fe410A		466.090		
02	PLATE 5 5000x1975				150110290000 IS2062Fe410A		387.590		
01	PLATE 5 5000x2067.5				150110290000 IS2062Fe410A		405.740		

TYPE OF PRODUCT OR NAME OF CUSTOMER/PROJECT

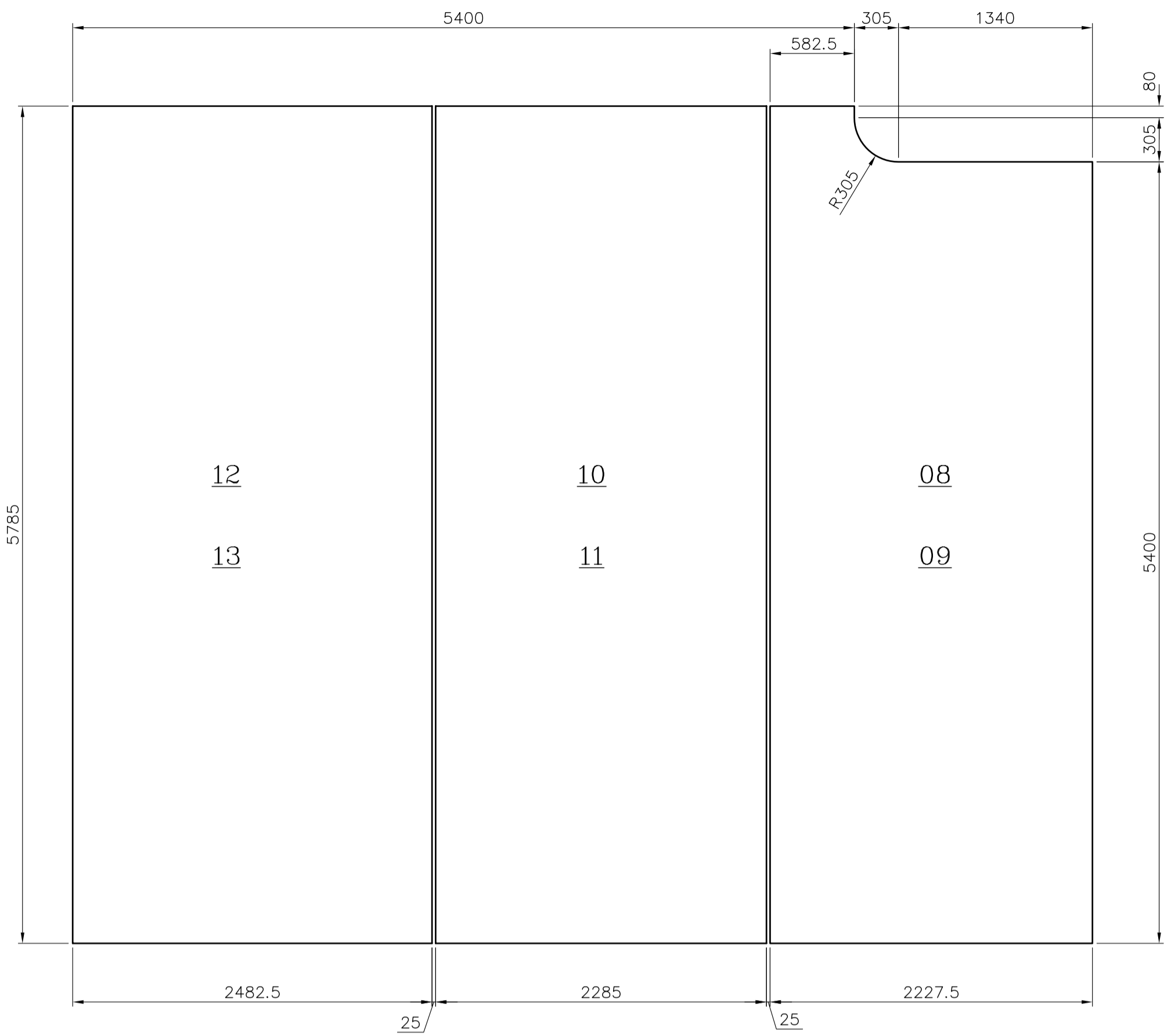
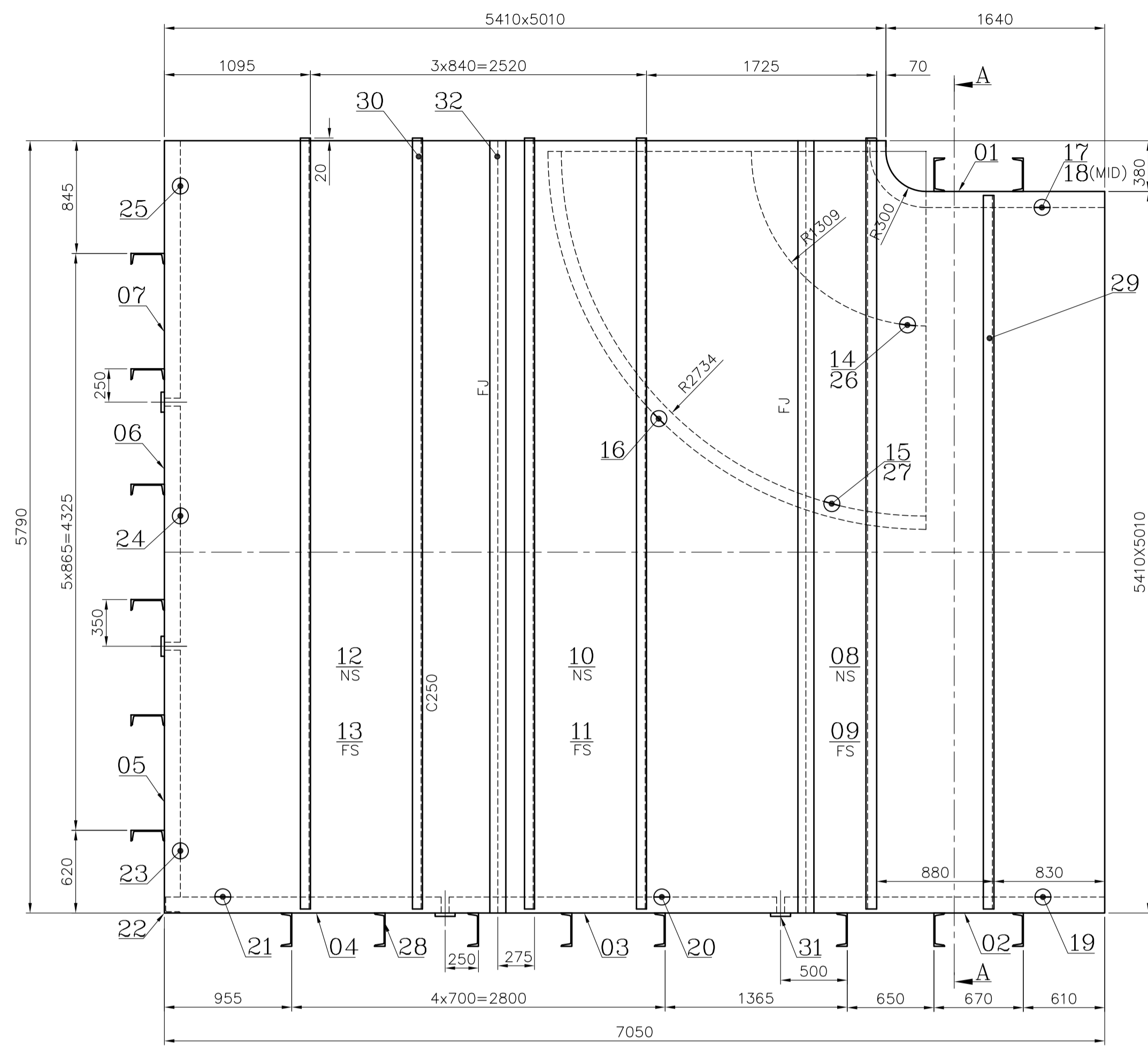
Bharat Heavy Electricals Ltd
UNIT: HIGH PRESSURE BOILER PLANT
TIRUCHIRAPALLI - 620014

DRN: CHD
EOL/KUMAR
K.P.
SIGNATURE: P.K. ADHI
DATE: 17-12-09

355-053
DEPT: 124
DU: ALL DIMENSIONS ARE IN MM
SCALE: N.T.S.
WEIGHT (Kg): 14231.340
REF TO ASSY / OLD DWG

TITILE: **T DUCT**
DRAWING NO.: **1-48-202-40985**
REV

REV	DATE	ALTERED :
01		CHD & APPD :

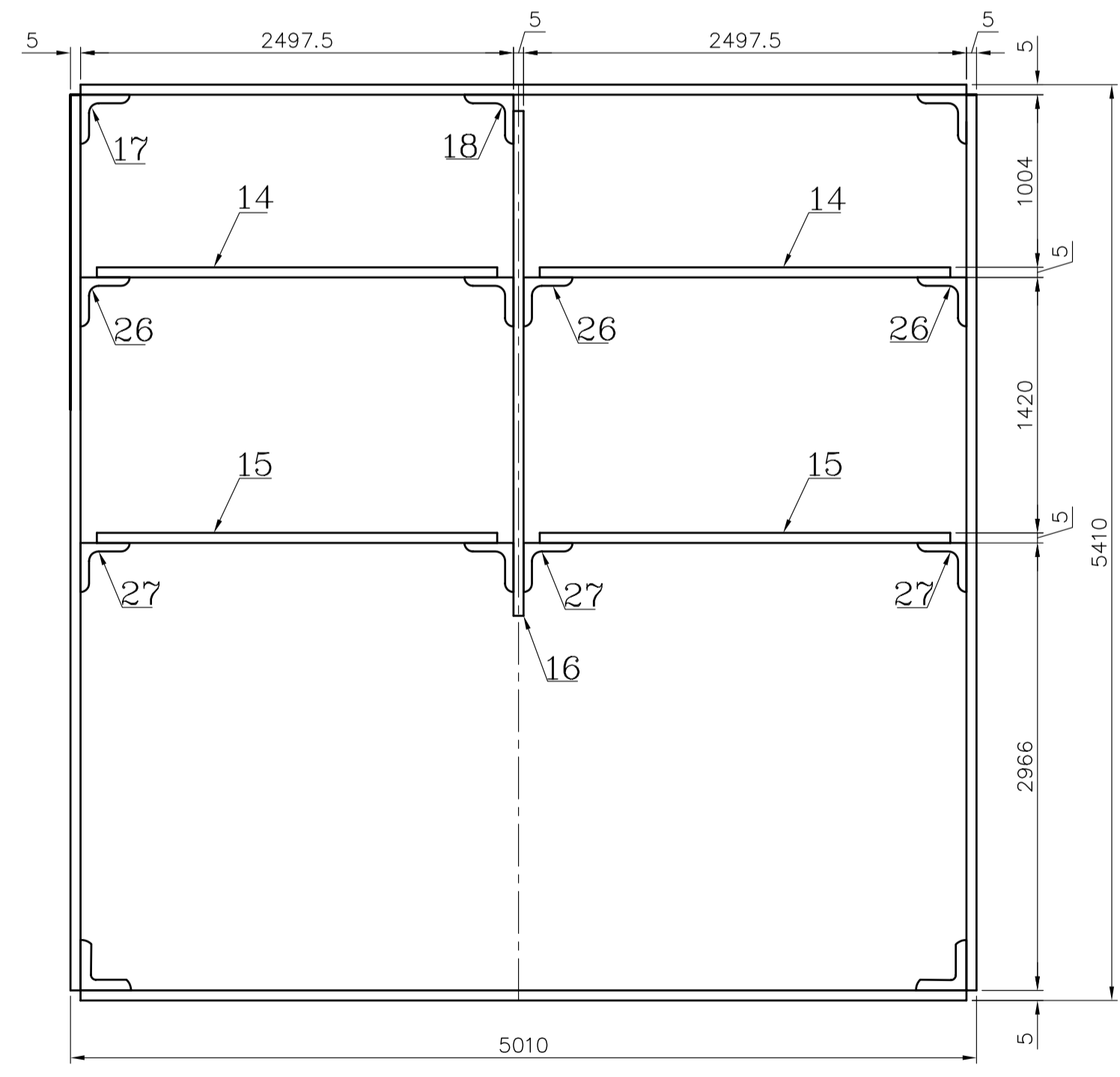
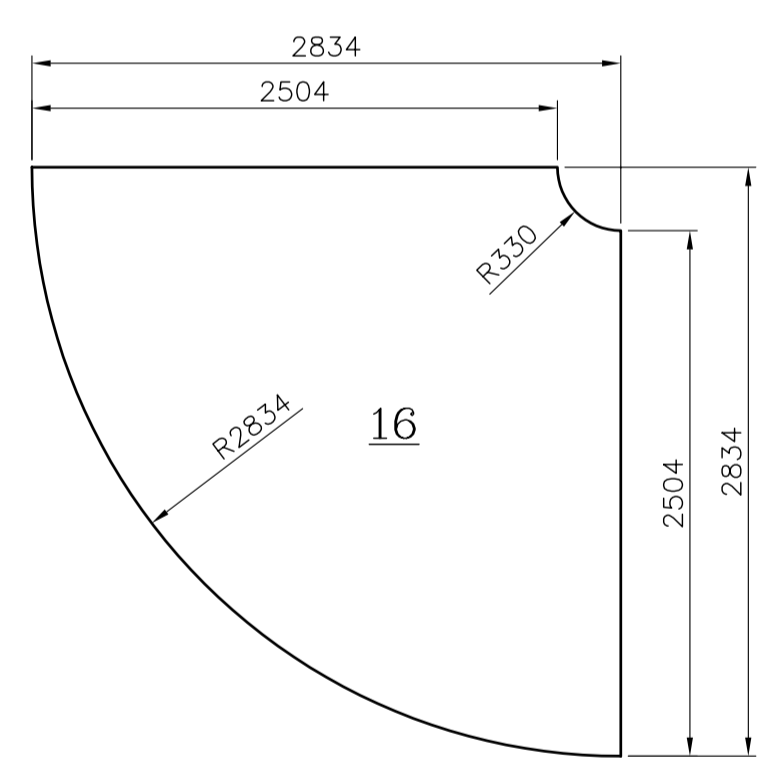


NOTE:
01. FOR GENERAL NOTES REFER PAGE NO. 41 (REF:41) OF DUCT CONSTRUCTION MANUAL. REF122 FOR CONSTRUCTION DETAIL.
02. NTPC, CORNER SS TYPE, FIELD ASSEMBLED DUCT.

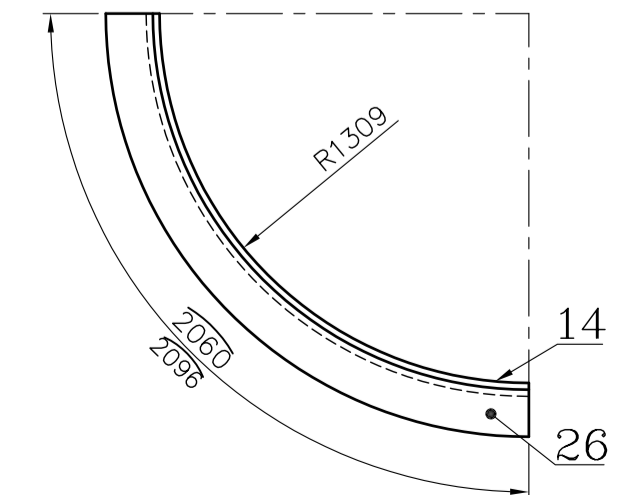
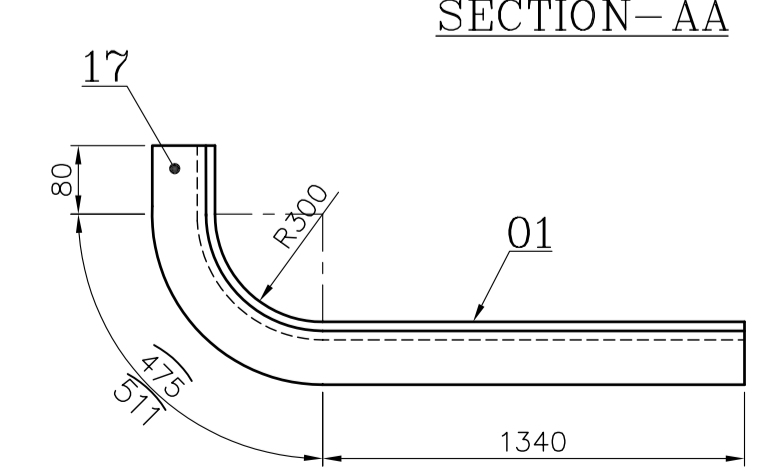
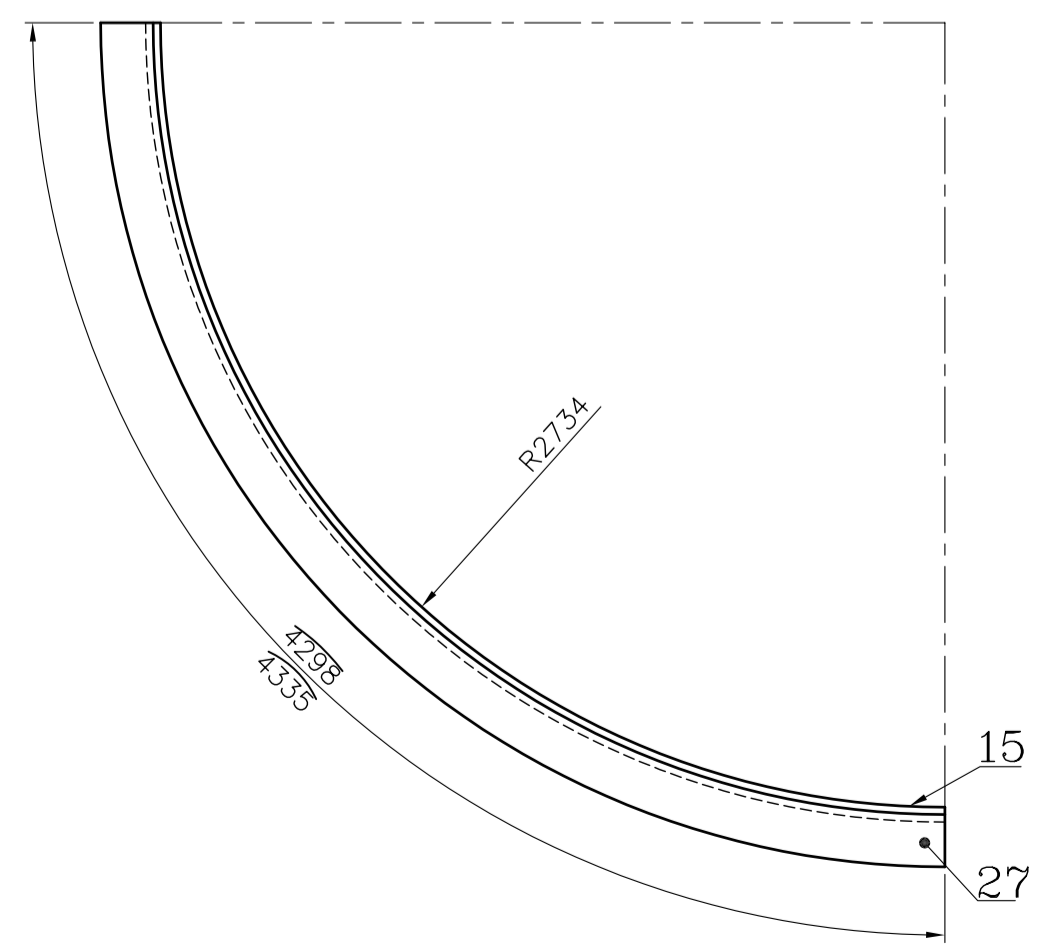
ITEM NO.	DESCRIPTION	STD	DRAWING NUMBER	ITEM NO	MATERIAL CODE	A/C/P	UNIT WEIGHT	CS	ZONE
32	PLATE 5 125x5785			150110290000	IS2062Fe410A		28.380		
31	PLATE 5 125x5000			150110290000	IS2062Fe410A		24.530		
30	ISMC 250 5780			150100340000	IS2062Fe410A		197.670		
29	ISMC 250 5350			150100340000	IS2062Fe410A		182.970		
28	ISMC 250 4950			150100340000	IS2062Fe410A		169.290		
27	ISA 75X75X6 4335			150130050000	IS2062Fe410A		29.470		
26	ISA 75X75X6 2096			150130050000	IS2062Fe410A		14.250		
25	ISA 75X75X6 1958.5			150130050000	IS2062Fe410A		13.310		
24	ISA 75X75X6 1827			150130050000	IS2062Fe410A		12.420		
23	ISA 75X75X6 1918.5			150130050000	IS2062Fe410A		13.040		
22	ISA 75X75X6 4988			150130050000	IS2062Fe410A		33.910		
21	ISA 75X75X6 2098.5			150130050000	IS2062Fe410A		14.270		
20	ISA 75X75X6 2512			150130050000	IS2062Fe410A		17.080		
19	ISA 75X75X6 2428.5			150130050000	IS2062Fe410A		16.510		
18	ISA 75X75X6 511			150130050000	IS2062Fe410A		3.470		
17	ISA 75X75X6 1931			150130050000	IS2062Fe410A		13.130		
16	PLATE 5 2834x2834			150110290000	IS2062Fe410A		244.680		
15	PLATE 5 2447.5x4298			150110290000	IS2062Fe410A		412.880		
14	PLATE 5 2447.5x2060			150110290000	IS2062Fe410A		197.890		
13	PLATE 5 2482.5x5785			150110290000	IS2062Fe410A		563.680		
12	PLATE 5 2482.5x5785			150110290000	IS2062Fe410A		563.680		
11	PLATE 5 2285x5785			150110290000	IS2062Fe410A		518.830		
10	PLATE 5 2285x5785			150110290000	IS2062Fe410A		518.830		
09	PLATE 5 2227.5x5785			150110290000	IS2062Fe410A		484.770		
08	PLATE 5 2227.5x5785			150110290000	IS2062Fe410A		484.770		
07	PLATE 5 5000x1947.5			150110290000	IS2062Fe410A		382.190		
06	PLATE 5 5000x1805			150110290000	IS2062Fe410A		354.230		
05	PLATE 5 5000x1982.5			150110290000	IS2062Fe410A		389.060		
04	PLATE 5 5000x2087.5			150110290000	IS2062Fe410A		409.670		
03	PLATE 5 5000x2490			150110290000	IS2062Fe410A		488.660		
02	PLATE 5 5000x2417.5			150110290000	IS2062Fe410A		474.430		
01	PLATE 5 5000x1895			150110290000	IS2062Fe410A		371.890		

DESPATCH TABLE

SL. NO.	DESCRIPTION	DU NO.	NO. OFF	ITEM NO.	NO. OFF
1	ELBOW WALL	082	1	01 17 28	
2	ELBOW WALL	083	1	02 19 28 31	
3	ELBOW WALL	084	1	03 20 28 31	
4	ELBOW WALL	085	1	04 21 22 28	
5	ELBOW WALL	086	1	05 23 28 31	
6	ELBOW WALL	087	1	06 24 28 31	
7	ELBOW WALL	088	1	07 25 28	
8	ELBOW WALL	089	1	08 29 32 30	
9	ELBOW WALL	090	1	09 29 32 30	
10	ELBOW WALL	091	1	10 30 32	
11	ELBOW WALL	092	1	11 30 32	
12	ELBOW WALL	093	1	12 30	
13	ELBOW WALL	094	1	13 30	
14	GUIDE VANE	095	2	14 26	
15	GUIDE VANE	096	2	15 27	
16	DIVIDER PLATE	097	1	16 18	



SECTION-AA



CAUTION: The information on this drawing is the property of BHARAT HEAVY ELECTRICALS LTD. It should not be used directly or indirectly in any way detrimental to the interest of the company.

TYPE OF PRODUCT OR NAME OF CUSTOMER/PROJECT
Bharat Heavy Electricals Ltd
UNIT: HIGH PRESSURE BOILER PLANT
TIRUCHIRAPALLI - 620014

DRN NAME EOL/KUMAR SIGNATURE DATE 17-12-09
CHD K.P. 17-12-09
APPD P.K.ADHI 17-12-09

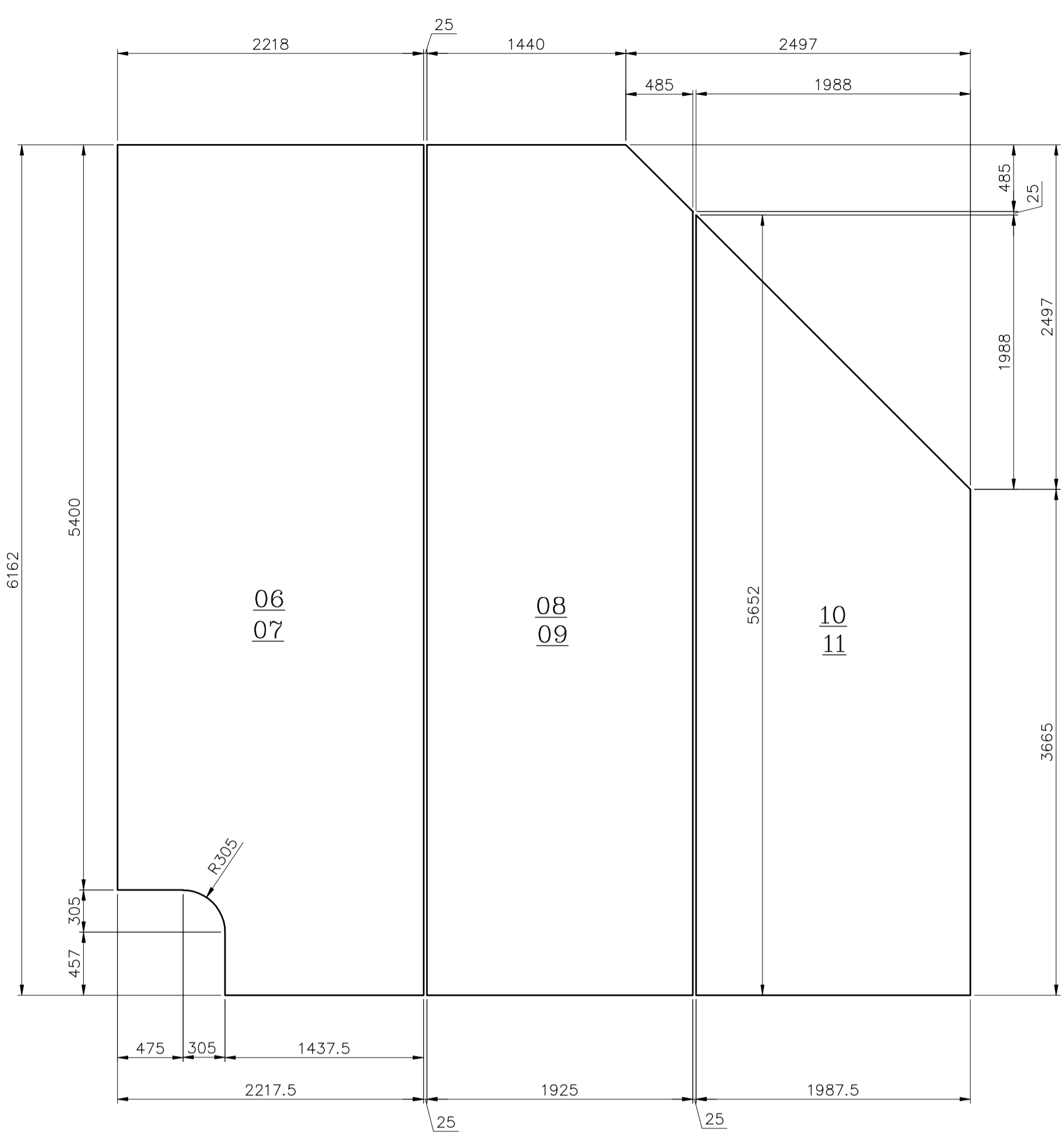
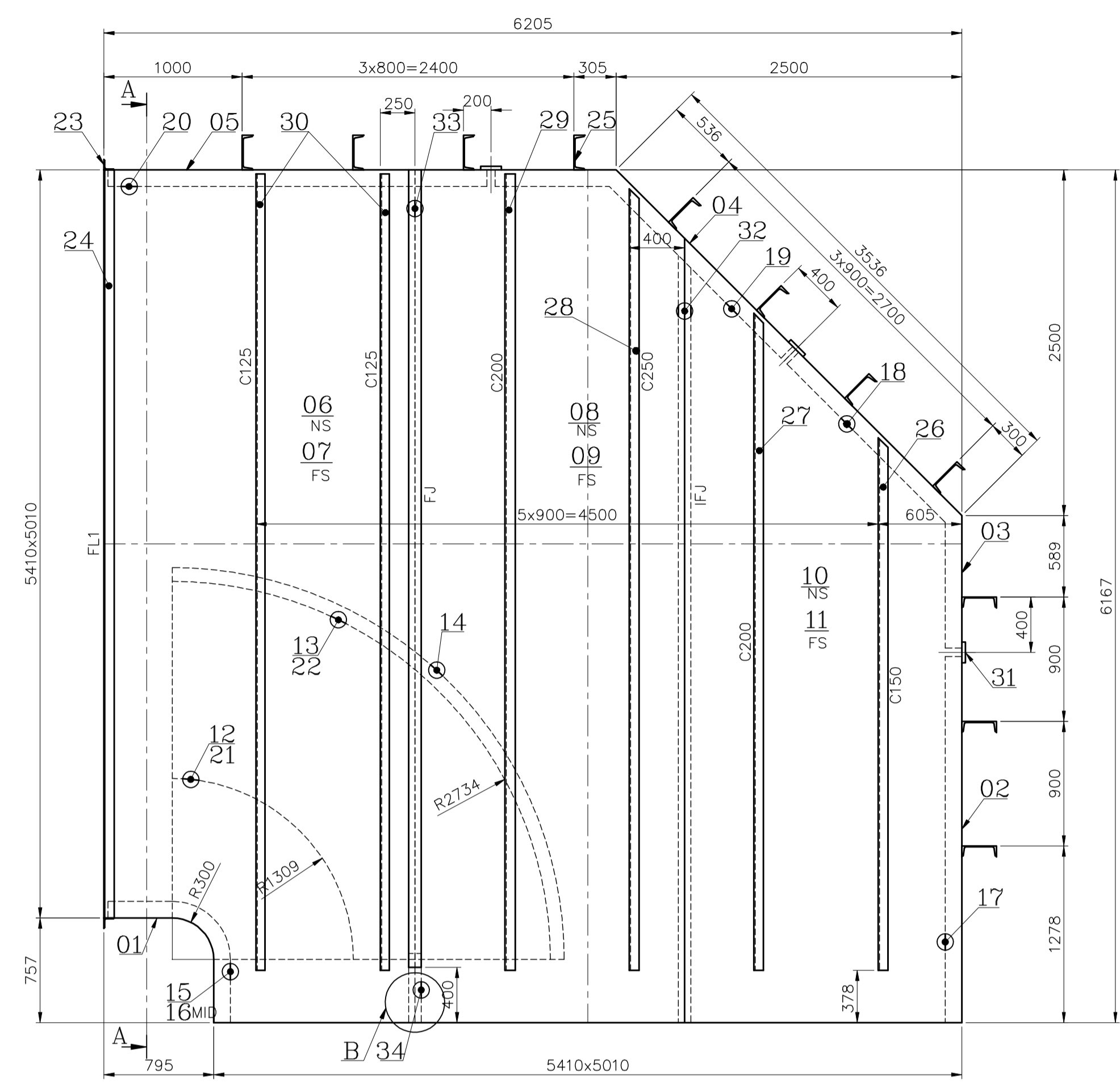
355-053 DEPT DU ALL DIMENSIONS ARE IN MM PROJECTION SCALE WEIGHT (Kg) REF TO ASSY / OLD DWG
CODE 124 N.T.S 13145.610

TITLE ELBOW DRAWING NO: 1-48-202-40986 REV

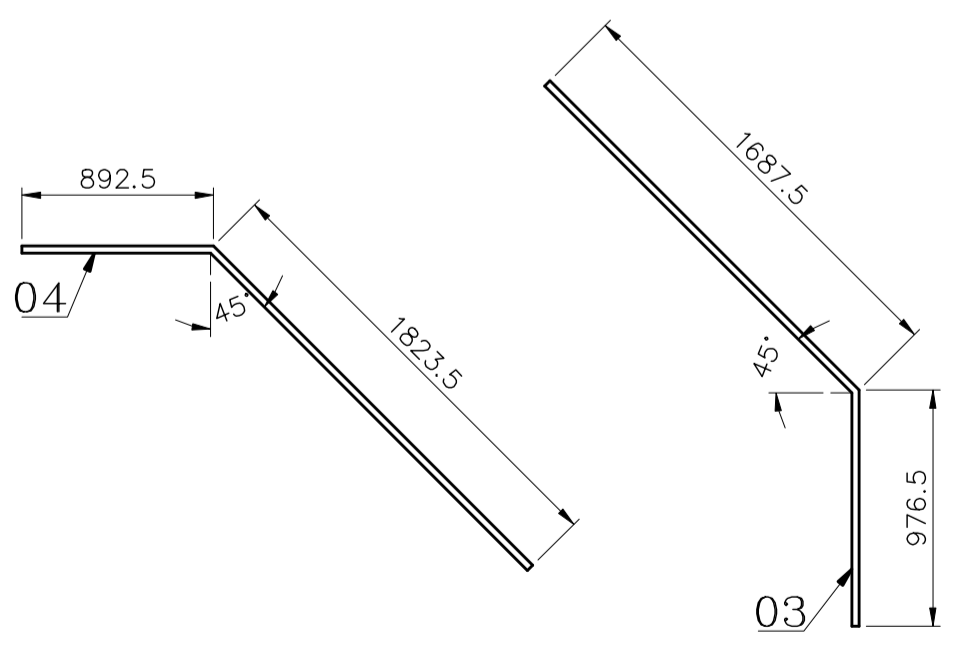
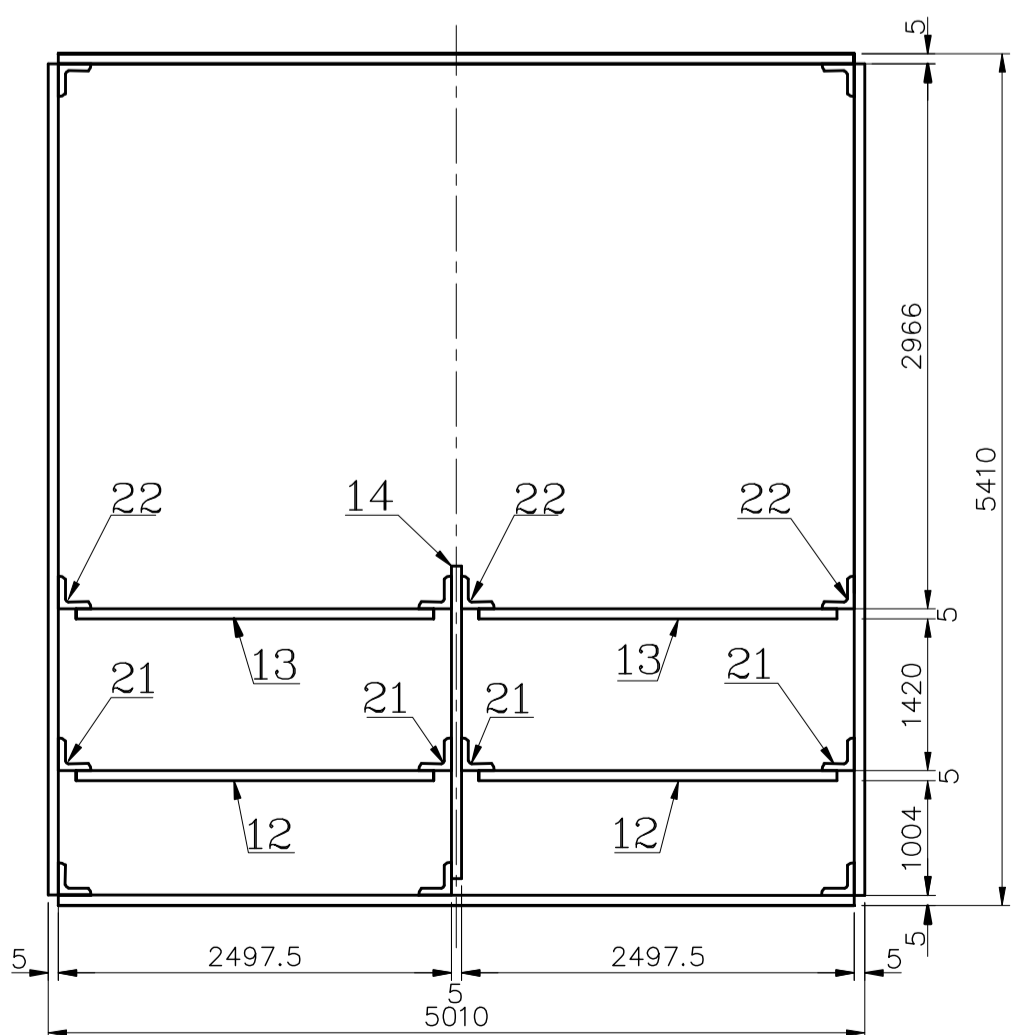
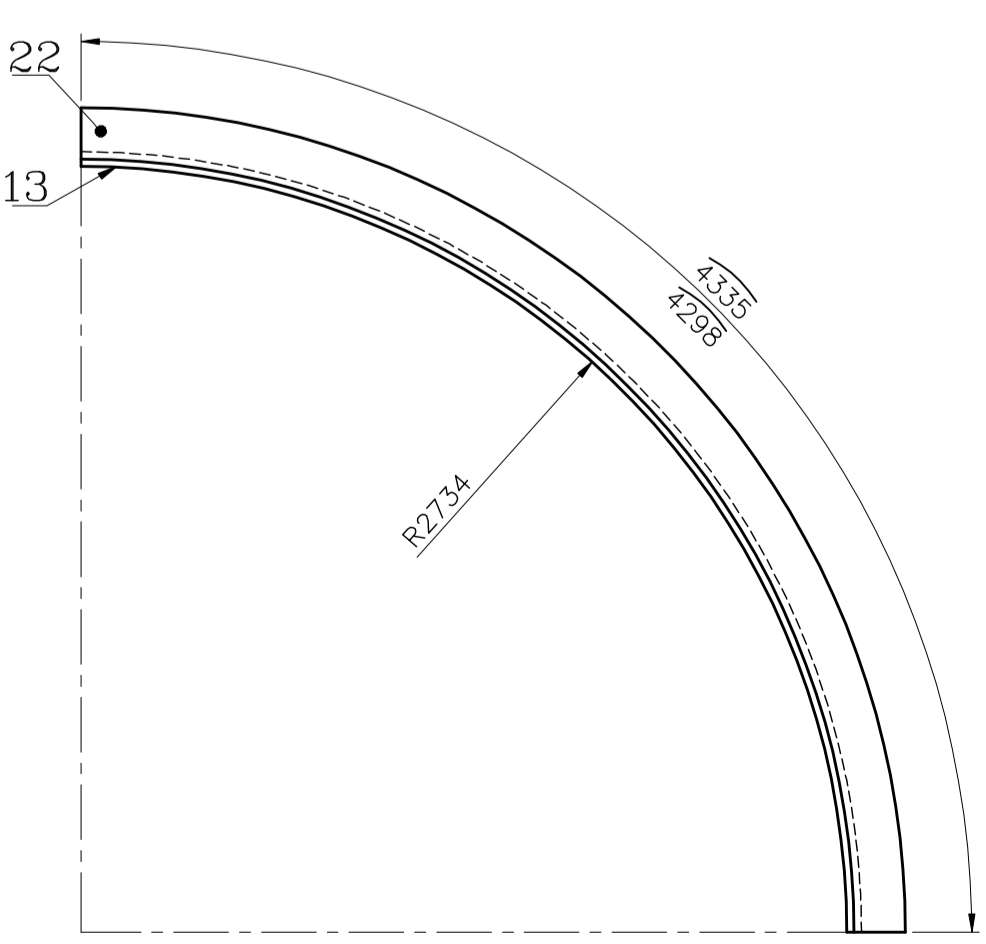
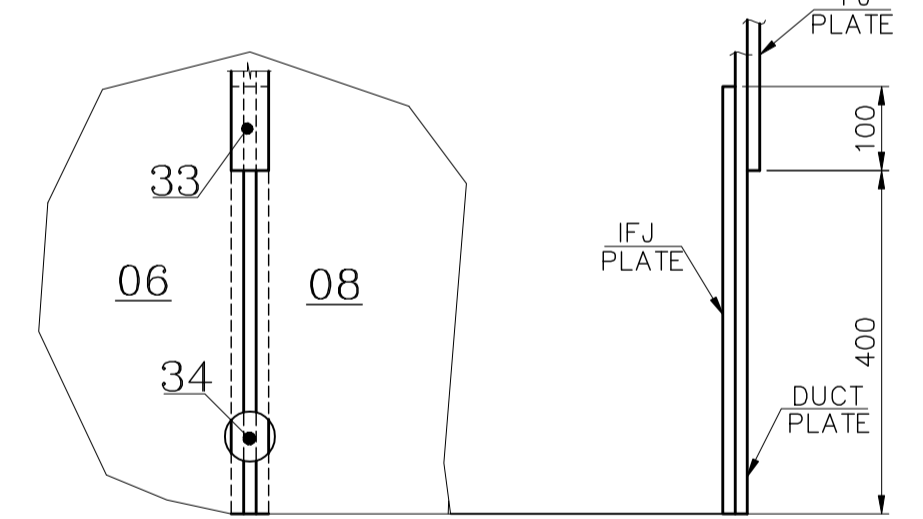
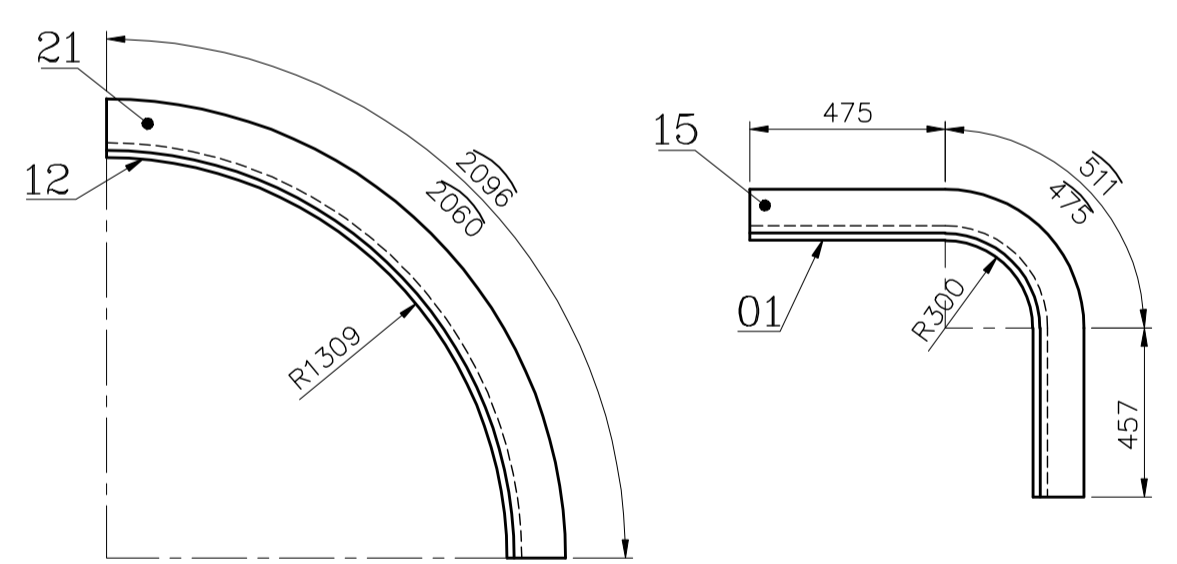
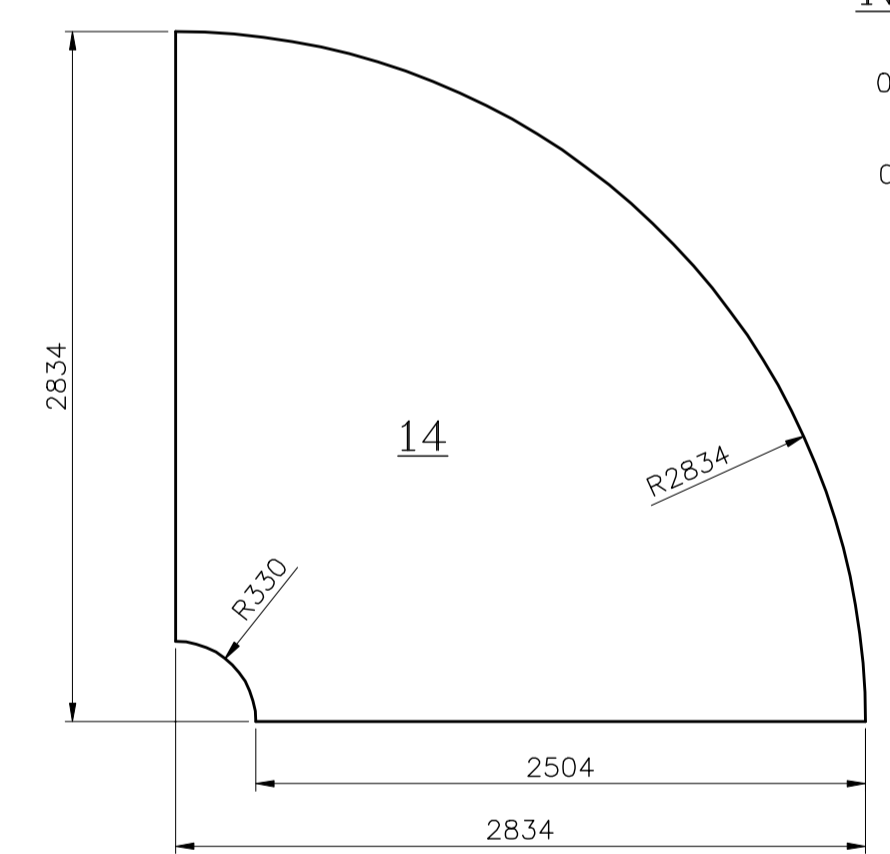
REV	DATE	ALTERED
01		CHD & APPD

1-48-202-40987

FOR TOLERANCES OF UNTOLERANCED DIMENSIONS DURING MANUFACTURE REFER PLANT STD. NO TP 023 0299



NOTE:
 01. FOR GENERAL NOTES REFER PAGE NO. 41 (REF:41) OF DUCT CONSTRUCTION MANUAL. REF122 FOR CONSTRUCTION DETAIL.
 02. NTPC, CORNER SS TYPE, FIELD ASSEMBLED DUCT.



FLANGE DETAILS

FLANGE NO.	REF	D	X	A	B	W	S	E	F	N
FL1	REF109	5010	528	2	1828	5410	728	2	1828	28

DESPATCH TABLE

SL. NO.	DESCRIPTION	DU NO.	NO. OFF	ITEM NO.		
				NO.	NO.	NO.
1	ELBOW WALL	100	1	01	15	23
2	ELBOW WALL	101	1	02	17	25
3	ELBOW WALL	102	1	03	18	25
4	ELBOW WALL	103	1	04	19	25
5	ELBOW WALL	104	1	05	20	23
6	ELBOW WALL	105	1	06	24	30
7	ELBOW WALL	106	1	07	24	30
8	ELBOW WALL	107	1	08	28	29
9	ELBOW WALL	108	1	09	28	29
10	ELBOW WALL	109	1	10	26	27
11	ELBOW WALL	110	1	11	26	27
12	GUIDE VANE	111	2	12	21	
13	GUIDE VANE	112	2	13	22	
14	DIVIDER PLATE	113	1	14	16	

VARIANT NUMBER	ITEM NUMBER	DESCRIPTION	STD	DRAWING NUMBER	ITEM NO. VAR NO.	MATERIAL CODE MATERIAL SPECN	UNIT	UNIT WEIGHT	QUANTITY	OS	ZONE
	34	PLATE 5 125x500				150110290000 IS2062Fe410A		2.450	2		
	33	PLATE 5 125x5762				150110290000 IS2062Fe410A		28.270	2		
	32	PLATE 5 125x5659				150110290000 IS2062Fe410A		27.760	2		
	31	PLATE 5 125x5000				150110290000 IS2062Fe410A		24.530	3		
	30	ISMC 125 5759				150100020000 IS2062Fe410A		75.440	4		
	29	ISMC 200 5759				150100380000 IS2062Fe410A		128.420	2		
	28	ISMC 250 5664				150100340000 IS2062Fe410A		193.700	2		
	27	ISMC 200 4764				150100380000 IS2062Fe410A		106.230	2		
	26	ISMC 150 3864				150100350000 IS2062Fe410A		64.910	2		
	25	ISMC 250 4950				150100340000 IS2062Fe410A		169.290	11		
	24	ISA 75X75X6 5410				150130050000 IS2062Fe410A		36.780	2		
	23	ISA 75X75X6 5160				150130050000 IS2062Fe410A		35.080	2		
	22	ISA 75X75X6 4335				150130050000 IS2062Fe410A		29.470	4		
	21	ISA 75X75X6 2096				150130050000 IS2062Fe410A		14.250	4		
	20	ISA 75X75X6 2778.5				150130050000 IS2062Fe410A		18.890	2		
	19	ISA 75X75X6 2738				150130050000 IS2062Fe410A		18.610	2		
	18	ISA 75X75X6 2686				150130050000 IS2062Fe410A		18.260	2		
	17	ISA 75X75X6 2676.5				150130050000 IS2062Fe410A		18.200	2		
	16	ISA 75X75X6 511				150130050000 IS2062Fe410A		3.470	1		
	15	ISA 75X75X6 1443				150130050000 IS2062Fe410A		9.810	2		
	14	PLATE 5 2834X2834				150110290000 IS2062Fe410A		244.210	1		
	13	PLATE 5 2447.5x4298				150110290000 IS2062Fe410A		412.880	2		
	12	PLATE 5 2447.5x2060				150110290000 IS2062Fe410A		197.890	2		
	11	PLATE 5 1987.5x5652				150110290000 IS2062Fe410A		363.410	1		
	10	PLATE 5 1987.5x5652				150110290000 IS2062Fe410A		363.410	1		
	09	PLATE 5 6162x1925				150110290000 IS2062Fe410A		460.950	1		
	08	PLATE 5 6162x1925				150110290000 IS2062Fe410A		460.950	1		
	07	PLATE 5 6162x2217.5				150110290000 IS2062Fe410A		513.740	1		
	06	PLATE 5 6162x2217.5				150110290000 IS2062Fe410A		513.740	1		
	05	PLATE 5 5000x2767.5				150110290000 IS2062Fe410A		543.120	1		
	04	PLATE 5 5000x2716				150110290000 IS2062Fe410A		533.010	1		
	03	PLATE 5 5000x2664				150110290000 IS2062Fe410A		522.810	1		
	02	PLATE 5 5000x2665.5				150110290000 IS2062Fe410A		523.100	1		
	01	PLATE 5 5000x1407				150110290000 IS2062Fe410A		276.120	1		

CAUTION: The information on this document is the property of BHARAT HEAVY ELECTRICALS LTD. It must not be divulged to the interest of any way detrimental to the interest of the company.

TYPE OF PRODUCT OR NAME OF CUSTOMER/PROJECT
 Bharat Heavy Electricals Ltd
 UNIT: HIGH PRESSURE BOILER PLANT
 TIRUCHIRAPALLI - 620014

DRN: EOL/KUMAR
 CHD: K.P.
 APPD: P.K.ADHI

NAME: EOL/KUMAR
 SIGNATURE: K.P.
 DATE: 17-12-09

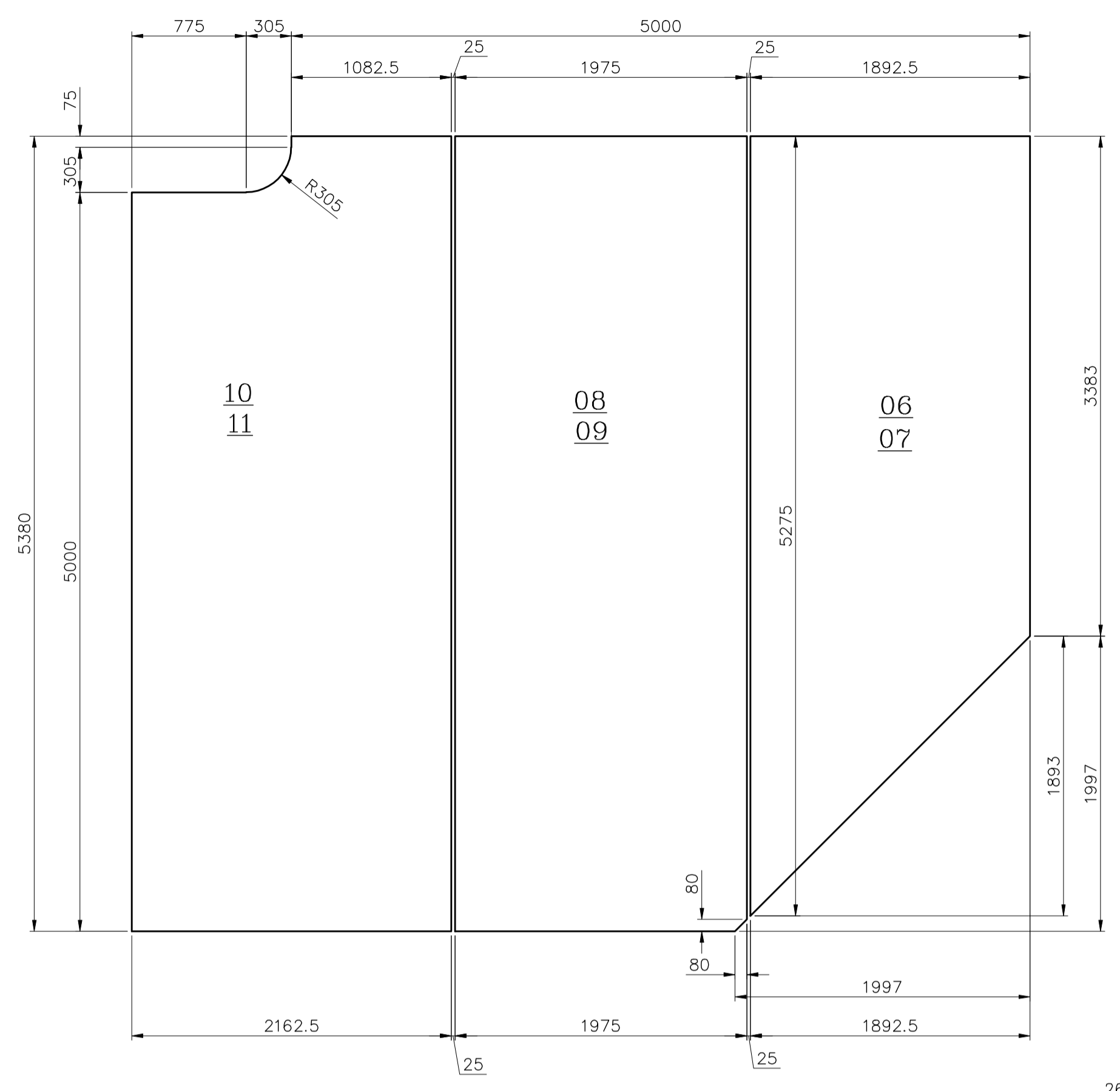
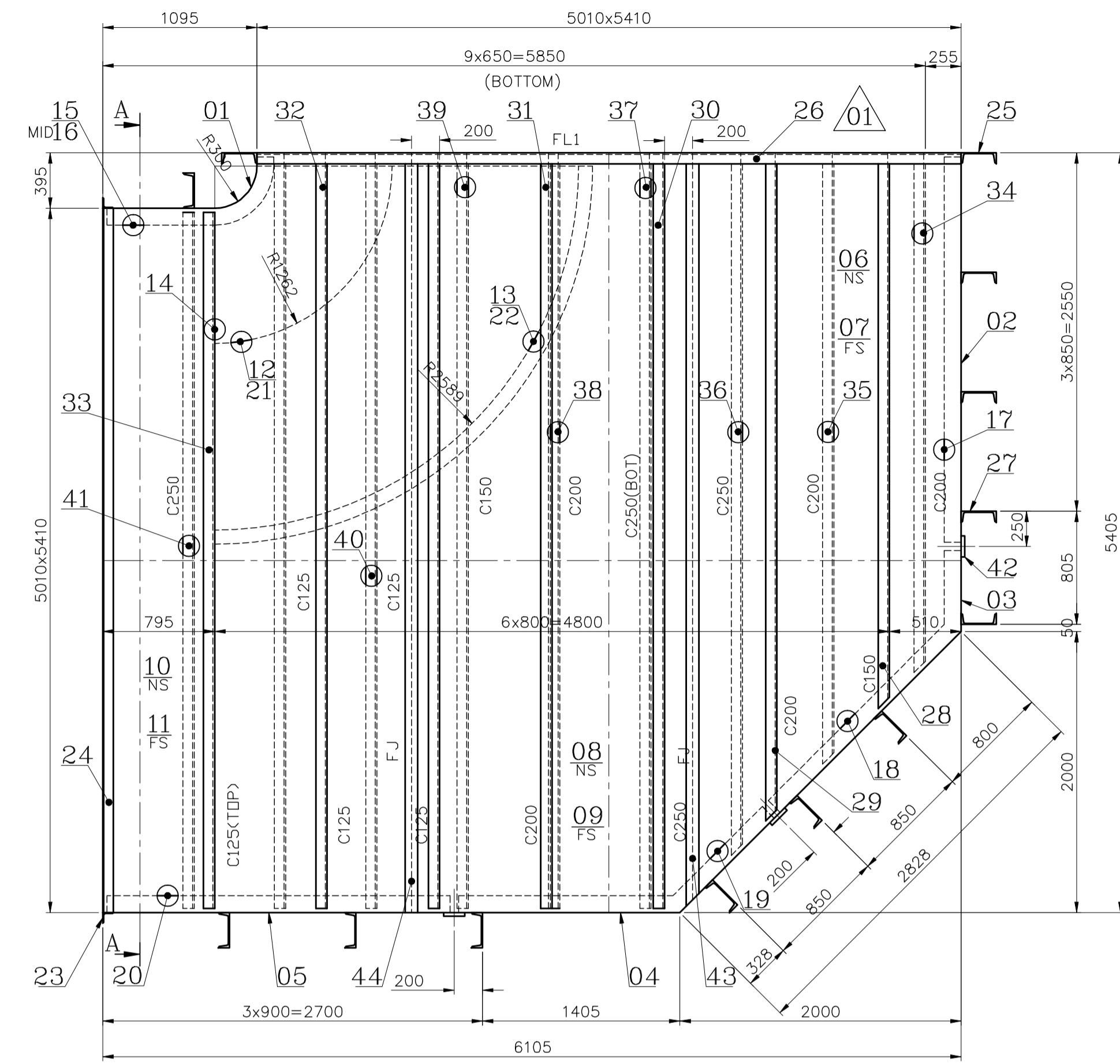
DEPT: DU
 CODE: 124
 ALL DIMENSIONS ARE IN MM

PROJECTION: N.T.S.
 SCALE: N.T.S.

WEIGHT (Kg): 10370.740

REF TO ASSY / OLD DWG

DRAWING NO: 1-48-202-40987
 REV: 01

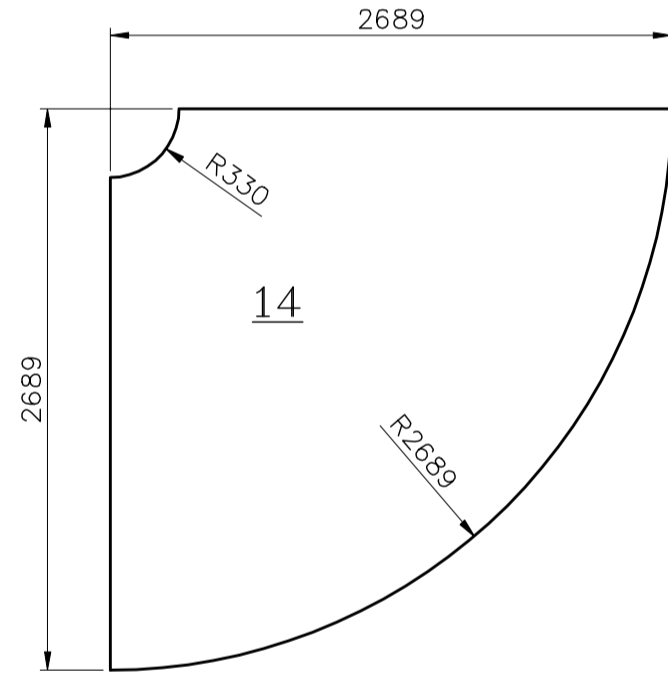
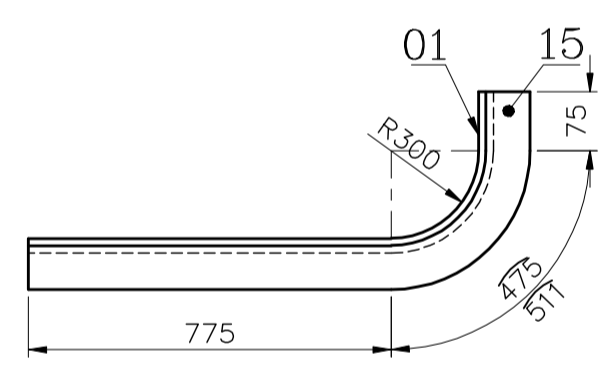
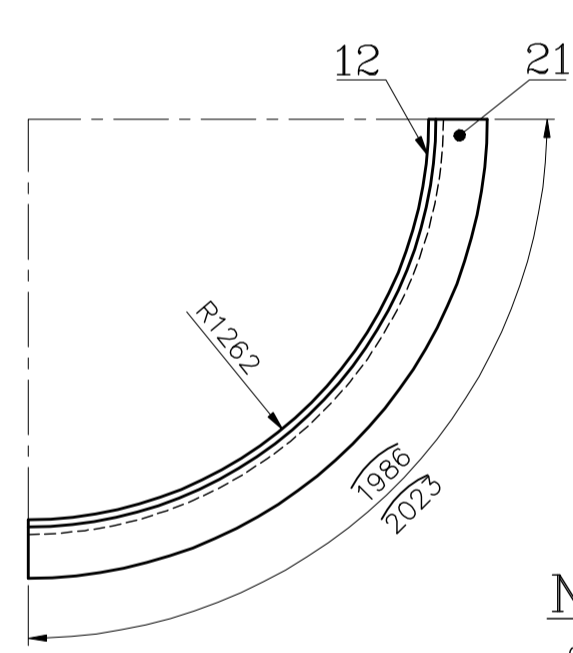
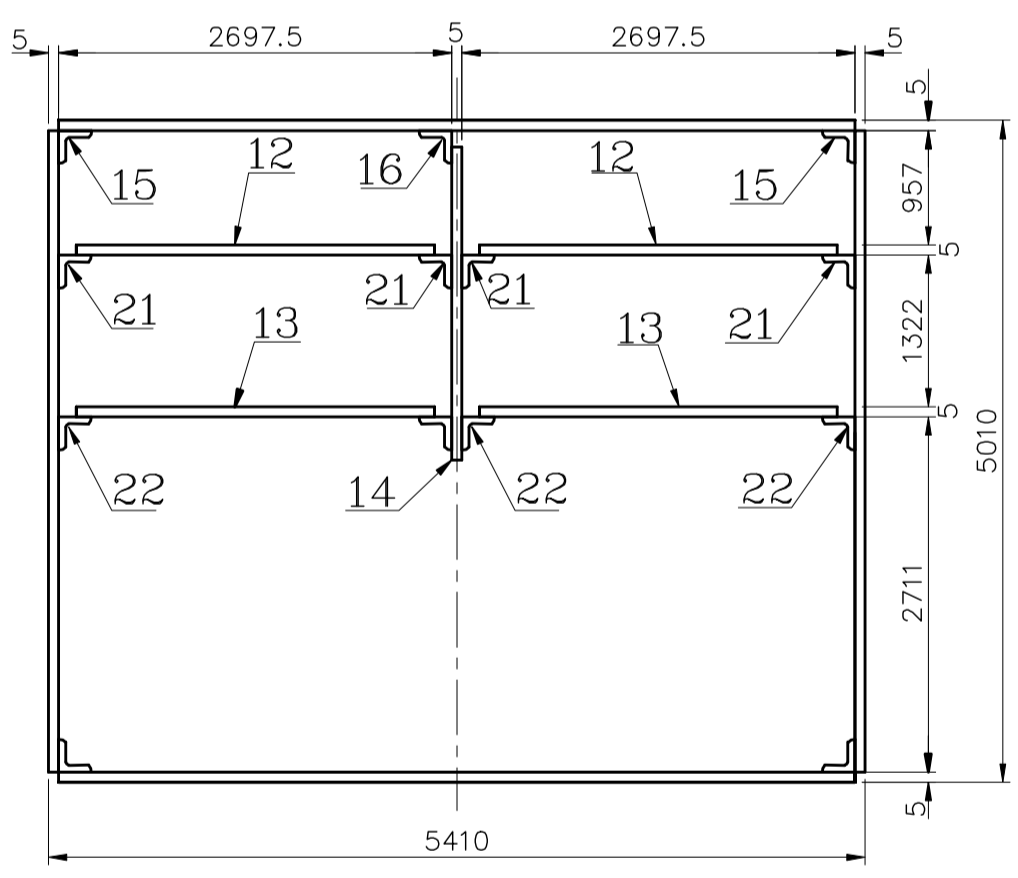


FLANGE DETAILS

FLANGE NO.	REF	D	X	A	B	W	S	E	F	N
FL1	REF109	5410	728	2	1828	5010	528	2	1828	28

DESPATCH TABLE

SL. NO.	DESCRIPTION	DU NO.	NO. OFF	ITEM NO. NO. OFF
1	ELBOW WALL	114	1	01 15 23 25 27 1 2 1 1 1
2	ELBOW WALL	115	1	02 17 25 27 1 2 1 3
3	ELBOW WALL	116	1	03 18 27 42 1 2 3 1
4	ELBOW WALL	117	1	04 19 27 42 1 2 2 1
5	ELBOW WALL	118	1	05 20 23 27 42 1 2 1 2 1
6	ELBOW WALL	119	1	06 28 29 1 1 1
7	ELBOW WALL	120	1	07 34 35 36 1 1 1 1
8	ELBOW WALL	121	1	08 30 31 32 43 1 1 1 1 1
9	ELBOW WALL	122	1	09 37 38 39 43 1 1 1 1 1
10	ELBOW WALL	123	1	10 24 32 33 44 1 1 1 1 1
11	ELBOW WALL	124	1	11 24 40 41 44 1 1 2 1 1
12	GUIDE VANE	125	2	12 21 1 2
13	GUIDE VANE	126	2	13 22 1 2
14	DIVIDER PLATE	127	1	14 16 1 1
15	COLLECTOR FLANGE	128	2	26 1



NOTE:
01. FOR GENERAL NOTES REFER PAGE NO. 41 (REF:41) OF DUCT CONSTRUCTION MANUAL. REF122 FOR CONSTRUCTION DETAIL.
02. NTPC, CORNER SS TYPE, FIELD ASSEMBLED DUCT.

ITEM NO.	DESCRIPTION	QTY	UNIT WEIGHT (KG)	TOTAL WEIGHT (KG)
44	PLATE 5 125x5320	26.100	2	52.200
43	PLATE 5 125x5315	26.070	2	52.140
42	PLATE 5 125x5400	26.490	3	79.470
41	ISMC 250 4950	169.290	1	169.290
40	ISMC 125 5370	70.340	2	140.680
39	ISMC 150 5370	90.210	1	90.210
38	ISMC 200 5370	119.750	1	119.750
37	ISMC 250 5370	183.650	1	183.650

VARIANT NUMBER	ITEM NUMBER	DESCRIPTION	STD	DRAWING NUMBER	ITEM NO. VAR NO	MATERIAL CODE MATERIAL SPECN	UNIT WEIGHT (KG)	QTY	TOTAL WEIGHT (KG)	ZONE
	36	ISMC 250 5005				150100340000 IS2062Fe410A	171.170	1	171.170	
	35	ISMC 200 4355				150100380000 IS2062Fe410A	97.110	1	97.110	
	34	ISMC 200 3705				150100380000 IS2062Fe410A	82.620	1	82.620	
	33	ISMC 125 4950				150100020000 IS2062Fe410A	64.840	1	64.840	
	32	ISMC 125 5370				150100020000 IS2062Fe410A	70.340	2	140.680	
	31	ISMC 200 5370				150100380000 IS2062Fe410A	119.750	1	119.750	
	30	ISMC 250 5370				150100340000 IS2062Fe410A	183.650	1	183.650	
	29	ISMC 200 4760				150100380000 IS2062Fe410A	106.140	1	106.140	
	28	ISMC 150 3960				150100350000 IS2062Fe410A	66.520	1	66.520	
	27	ISMC 250 5350				150100340000 IS2062Fe410A	182.970	11	2012.670	
	26	ISMC 250 5010				150100340000 IS2062Fe410A	171.340	2	342.680	
	25	ISMC 250 5910				150100340000 IS2062Fe410A	202.120	2	404.240	
	24	ISA 75X75X6 5010				150130050000 IS2062Fe410A	34.060	2	68.120	
	23	ISA 75X75X6 5560				150130050000 IS2062Fe410A	37.800	2	75.600	
	22	ISA 75X75X6 4107				150130050000 IS2062Fe410A	27.920	4	111.680	
	21	ISA 75X75X6 2023				150130050000 IS2062Fe410A	13.750	4	55.000	
	20	ISA 75X75X6 2478.5				150130050000 IS2062Fe410A	16.850	2	33.700	
	19	ISA 75X75X6 2580				150130050000 IS2062Fe410A	17.540	2	35.080	
	18	ISA 75X75X6 2452				150130050000 IS2062Fe410A	16.670	2	33.340	
	17	ISA 75X75X6 2778.5				150130050000 IS2062Fe410A	18.890	2	37.780	
	16	ISA 75X75X6 511				150130050000 IS2062Fe410A	3.470	1	3.470	
	15	ISA 75X75X6 1361				150130050000 IS2062Fe410A	9.250	2	18.500	
	14	PLATE 5 2689x2689				150110290000 IS2062Fe410A	219.520	1	219.520	
	13	PLATE 5 2647.5x4071				150110290000 IS2062Fe410A	423.030	2	846.060	
	12	PLATE 5 2647.5x1986				150110290000 IS2062Fe410A	206.370	2	412.740	
	11	PLATE 5 5380x2162.5				150110290000 IS2062Fe410A	441.280	1	441.280	
	10	PLATE 5 5380x2162.5				150110290000 IS2062Fe410A	441.280	1	441.280	
	09	PLATE 5 5380x1975				150110290000 IS2062Fe410A	416.970	1	416.970	
	08	PLATE 5 5380x1975				150110290000 IS2062Fe410A	416.910	1	416.910	
	07	PLATE 5 5275x1892.5				150110290000 IS2062Fe410A	321.530	1	321.530	
	06	PLATE 5 5275x1892.5				150110290000 IS2062Fe410A	321.530	1	321.530	
	05	PLATE 5 5400x2467.5				150110290000 IS2062Fe410A	522.980	1	522.980	
	04	PLATE 5 5400x2558				150110290000 IS2062Fe410A	542.160	1	542.160	
	03	PLATE 5 5400x2430				150110290000 IS2062Fe410A	515.030	1	515.030	
	02	PLATE 5 5400x2767.5				150110290000 IS2062Fe410A	586.570	1	586.570	
	01	PLATE 5 5400x1325				150110290000 IS2062Fe410A	280.830	1	280.830	

TYPE OF PRODUCT OR NAME OF CUSTOMER/PROJECT

Bharat Heavy Electricals Ltd
UNIT: HIGH PRESSURE BOILER PLANT
TIRUCHIRAPALLI - 620014

DRN: EOL/KUMAR
CHD: K.P.
APPD: P.K.ADHI

NAME: K.P.
SIGNATURE: P.K.ADHI
DATE: 17-12-09

DEPT: DU
CODE: 124
ALL DIMENSIONS ARE IN MM

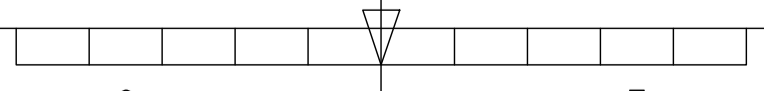
PROJECTION: N.T.S.
SCALE: N.T.S.

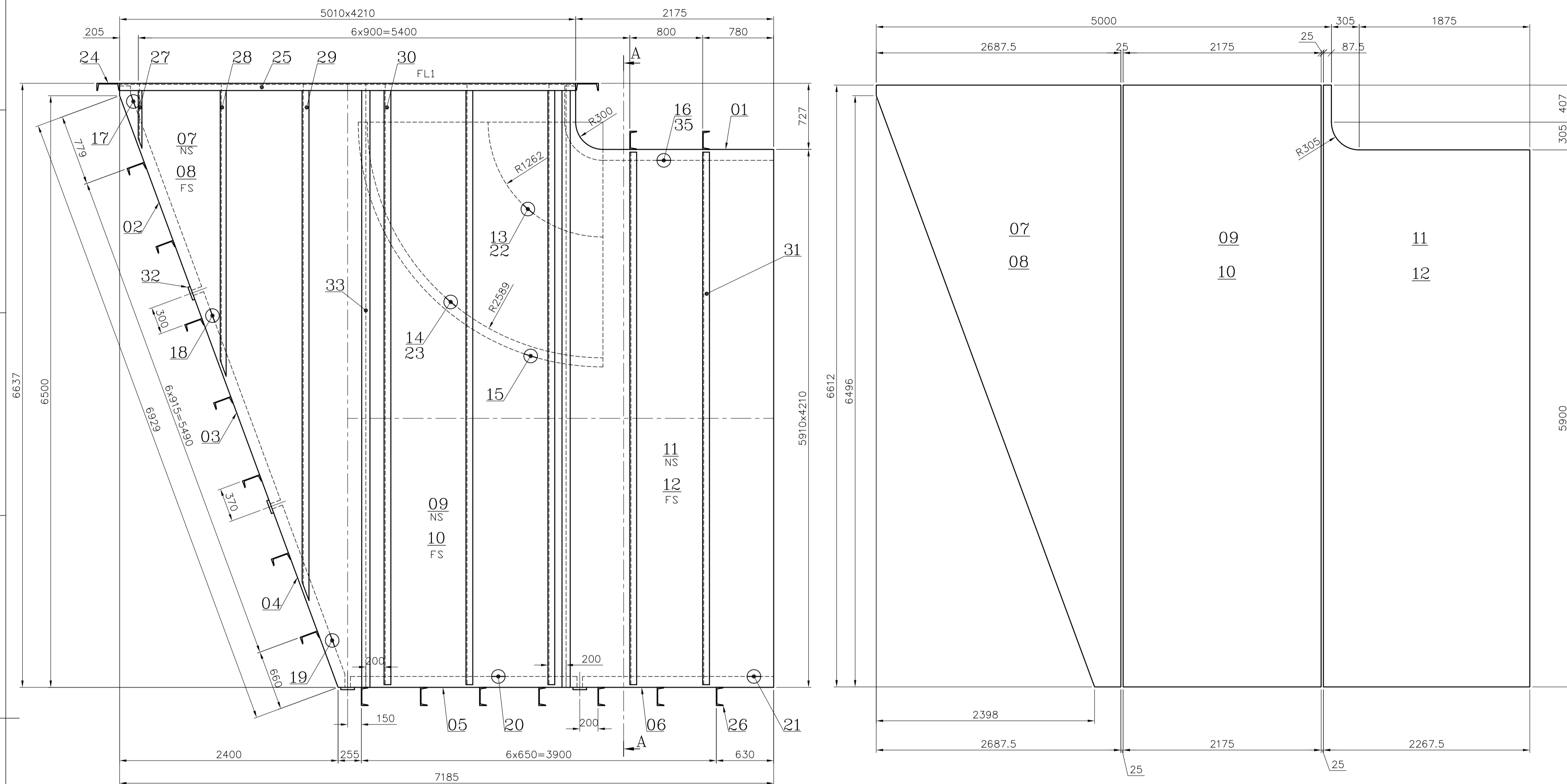
WEIGHT (KG): 11437.120

REF TO ASSY / OLD DWG

DRAWING NO: 1-48-202-40988 01

REV: H





ITEM NO.	DESCRIPTION	STD	DRAWING NUMBER	ITEM NO	MATERIAL CODE	UNIT	UNIT WEIGHT	QTY	ZONE
35	ISA 75X75X6 511			150130050000	IS2062Fe410A		3.470	1	
34	TUBE 42.9X3.20 3600			150380610000	IS2062Fe410A		11.160	4	
33	PLATE 5 125x6552			150110290000	IS2062Fe410A		32.140	4	
32	PLATE 5 125x4200			150110290000	IS2062Fe410A		20.600	4	
31	ISM 250 5850			150100340000	IS2062Fe410A		200.070	4	
30	ISM 250 6600			150100340000	IS2062Fe410A		225.720	6	
29	ISM 250 5735			150100340000	IS2062Fe410A		196.130	2	
28	ISM 125 3270			150100020000	IS2062Fe410A		42.830	2	
27	ISM 75 765			150100360000	IS2062Fe410A		5.460	2	
26	ISM 200 4150			150100380000	IS2062Fe410A		92.540	16	
25	ISM 250 5010			150100340000	IS2062Fe410A		171.340	2	
24	ISM 200 4710			150100380000	IS2062Fe410A		105.030	2	
23	ISA 75X75X6 4107			150130050000	IS2062Fe410A		27.920	4	
22	ISA 75X75X6 2023			150130050000	IS2062Fe410A		13.750	4	
21	ISA 75X75X6 2128.5			150130050000	IS2062Fe410A		14.470	2	
20	ISA 75X75X6 2547			150130050000	IS2062Fe410A		17.320	2	
19	ISA 75X75X6 2222			150130050000	IS2062Fe410A		15.110	2	
18	ISA 75X75X6 2497			150130050000	IS2062Fe410A		16.980	2	
17	ISA 75X75X6 2424.5			150130050000	IS2062Fe410A		16.480	2	
16	ISA 75X75X6 2793			150130050000	IS2062Fe410A		18.990	2	
15	PLATE 5 2689x2689			150110290000	IS2062Fe410A		219.520	1	
14	PLATE 5 2047.5x4071			150110290000	IS2062Fe410A		327.160	2	
13	PLATE 5 2047.5x1986			150110290000	IS2062Fe410A		159.600	2	
12	PLATE 5 2267.5x6612			150110290000	IS2062Fe410A		528.300	1	
11	PLATE 5 2267.5x6612			150110290000	IS2062Fe410A		528.300	1	
10	PLATE 5 2175x6612			150110290000	IS2062Fe410A		564.450	1	
09	PLATE 5 2175x6612			150110290000	IS2062Fe410A		564.450	1	
08	PLATE 5 2687.5x6612			150110290000	IS2062Fe410A		391.670	1	
07	PLATE 5 2687.5x6612			150110290000	IS2062Fe410A		391.670	1	
06	PLATE 5 4200x2117.5			150110290000	IS2062Fe410A		349.070	1	
05	PLATE 5 4200x2525			150110290000	IS2062Fe410A		416.240	1	
04	PLATE 5 4200x2200			150110290000	IS2062Fe410A		362.670	1	
03	PLATE 5 4200x2475			150110290000	IS2062Fe410A		408.000	1	
02	PLATE 5 4200x2413.5			150110290000	IS2062Fe410A		397.860	1	
01	PLATE 5 4200x2757			150110290000	IS2062Fe410A		454.490	1	

DESPATCH TABLE

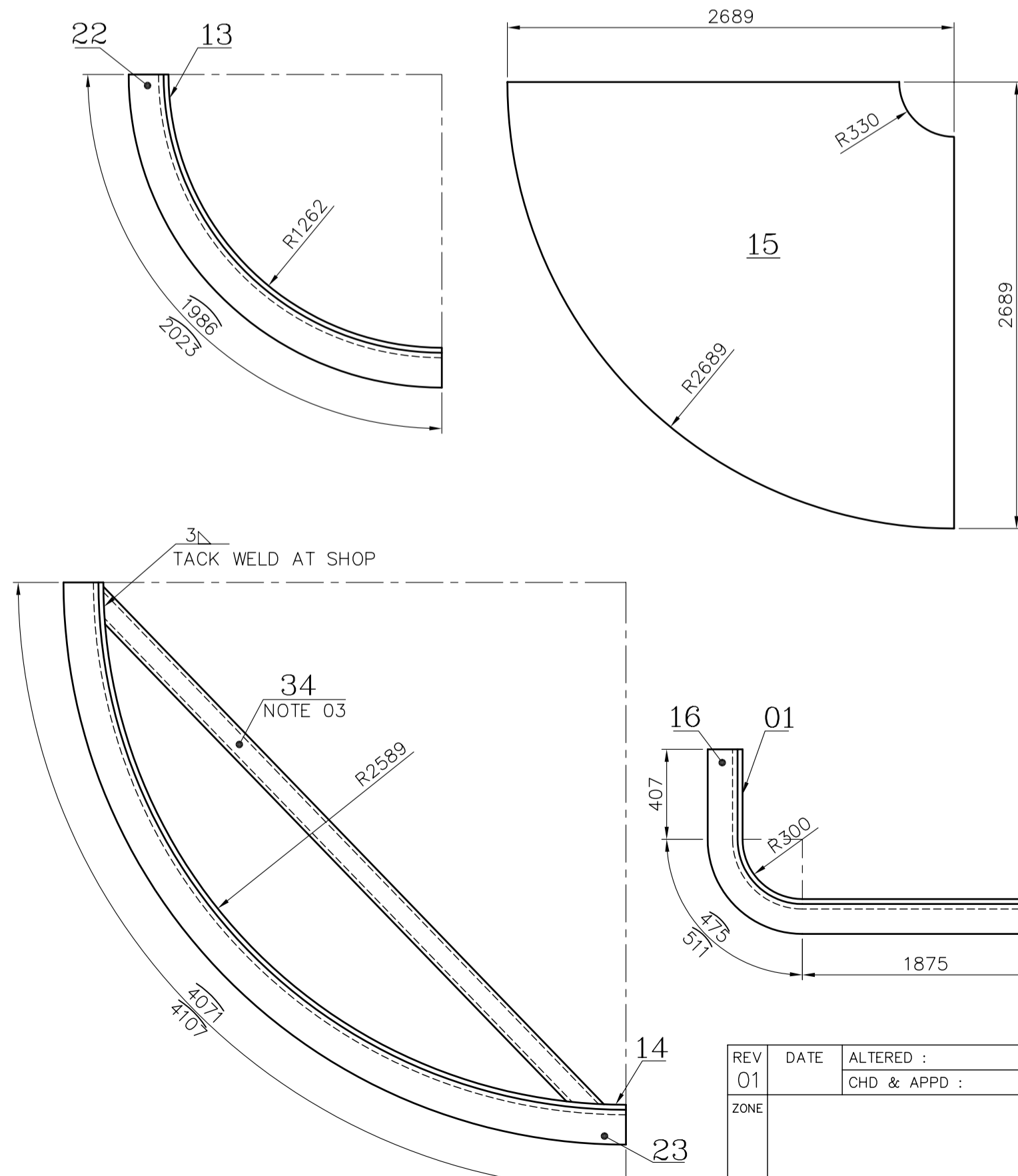
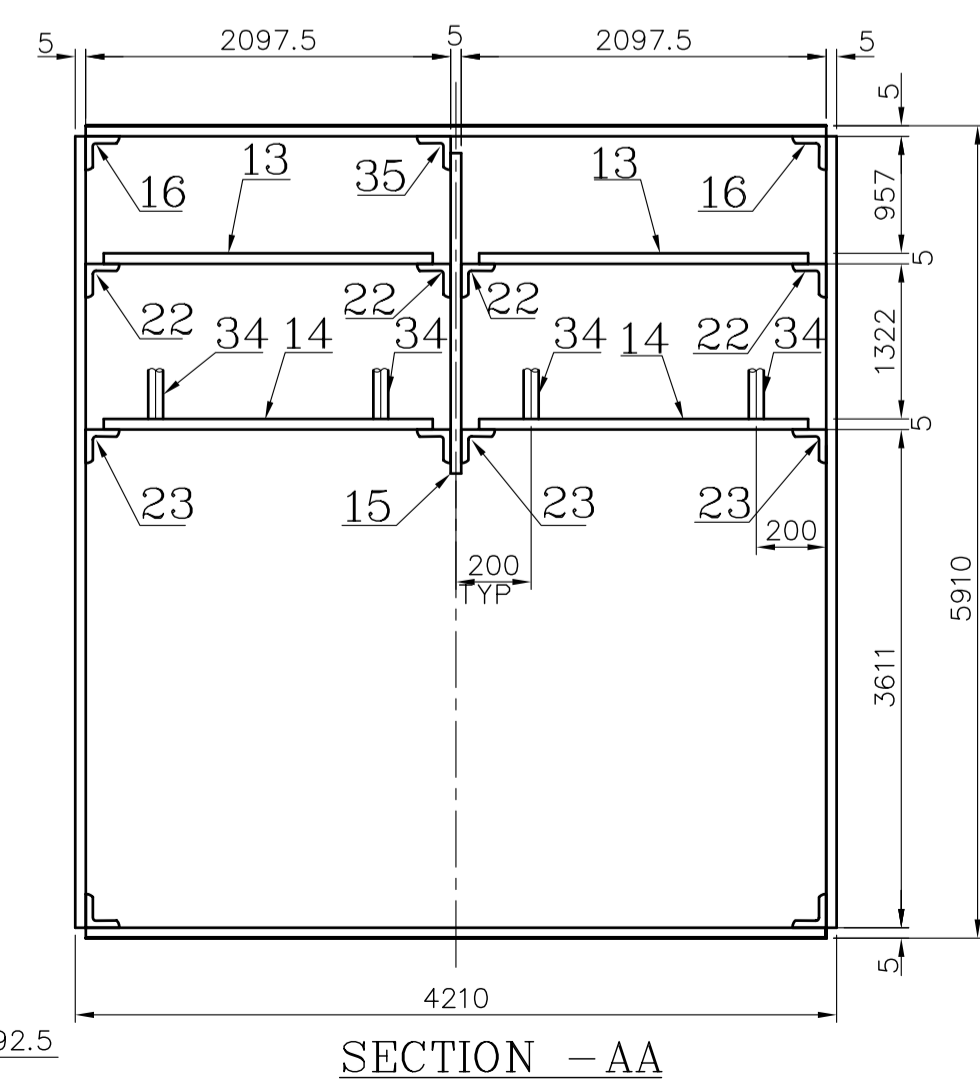
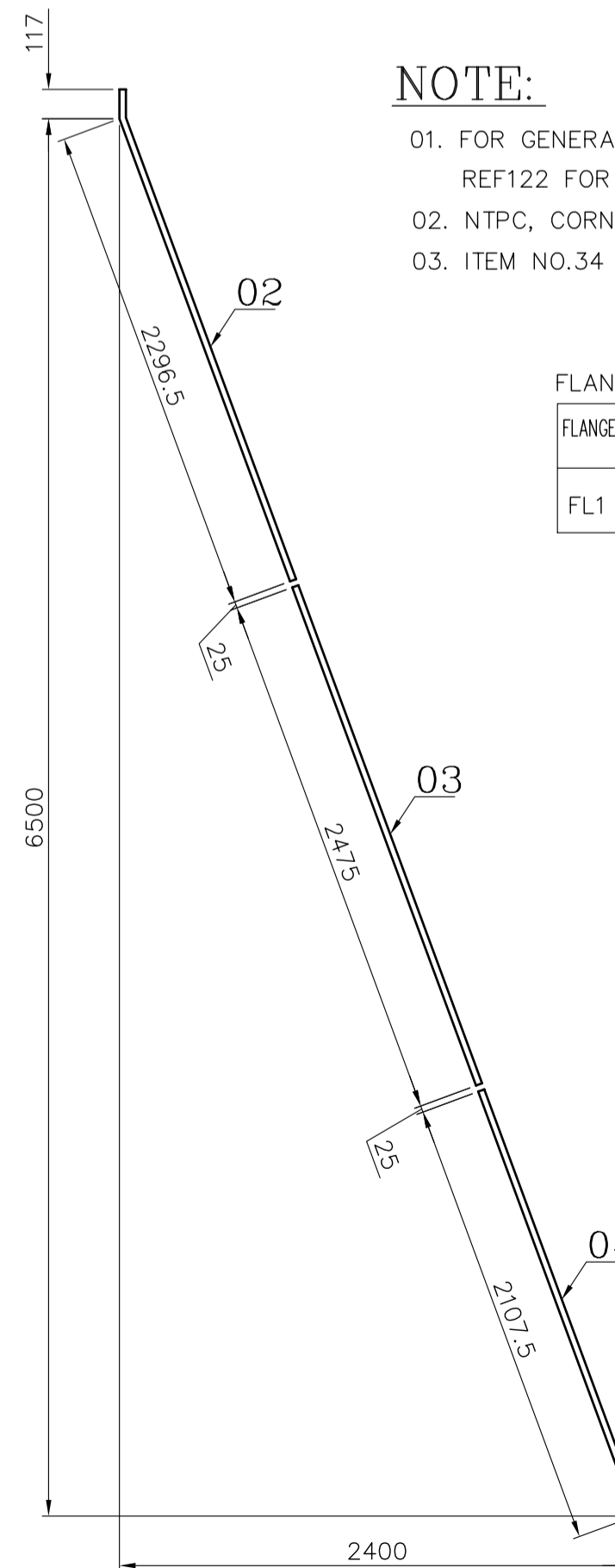
SL. NO.	DESCRIPTION	DU NO.	NO. OFF	ITEM NO. NO. OFF
1	ELBOW WALL	164	1	01 16 24 26
2	ELBOW WALL	165	1	02 17 24 26
3	ELBOW WALL	166	1	03 18 26 32
4	ELBOW WALL	167	1	04 19 26 32
5	ELBOW WALL	168	1	05 20 26 32
6	ELBOW WALL	169	1	06 21 26 32
7	ELBOW WALL	170	1	07 27 28 29
8	ELBOW WALL	171	1	08 27 28 29
9	ELBOW WALL	172	1	09 30 33
10	ELBOW WALL	173	1	10 30 33
11	ELBOW WALL	174	1	11 31 33
12	ELBOW WALL	175	1	12 31 33
13	GUIDE VANE	176	2	13 22
14	GUIDE VANE	177	2	14 23 34
15	DIVIDER PLATE	178	1	15 35
16	COLLECTOR FLANGE	179	2	25

NOTE:

- FOR GENERAL NOTES REFER PAGE NO. 41 (REF:41) OF DUCT CONSTRUCTION MANUAL. REF122 FOR CONSTRUCTION DETAIL.
- NTPC, CORNER SS TYPE, FIELD ASSEMBLED DUCT.
- ITEM NO.34 IS FOR TRANSPORT PURPOSE ONLY. TO BE PAINTED WITH YELLOW BAND.

FLANGE DETAILS

FLANGE NO.	REF	D	X	A	B	W	S	E	F	N
FL1	REF109	4210	1042	1	914	5010	528	2	1828	24



CAUTION: The information on this drawing is the property of BHARAT Heavy Electricals Ltd. It is to be used directly or indirectly in any way detrimental to the interest of the company.

TYPE OF PRODUCT OR NAME OF CUSTOMER/PROJECT
Bharat Heavy Electricals Ltd
UNIT: HIGH PRESSURE BOILER PLANT
TIRUCHIRAPALLI - 620014

DRN: EQL/KUMAR
CHD: K.P.
APPD: P.K.ADHI

DATE: 17-12-09
DATE: 17-12-09
DATE: 17-12-09

DEPT: 355-053
DU: ALL DIMENSIONS ARE IN MM
CODE: 124

PROJECTION: N.T.S.
SCALE: N.T.S.

WEIGHT (Kg): 11851.480

REV: 01
DATE: CHD & APPD

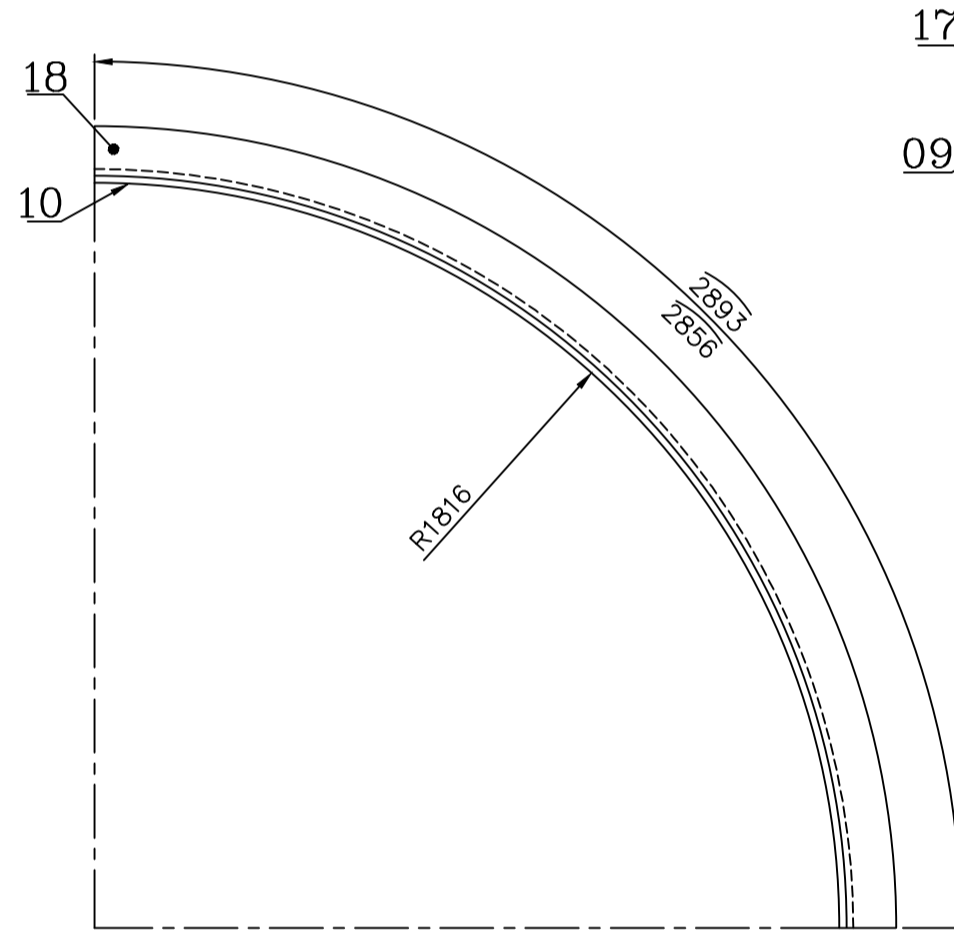
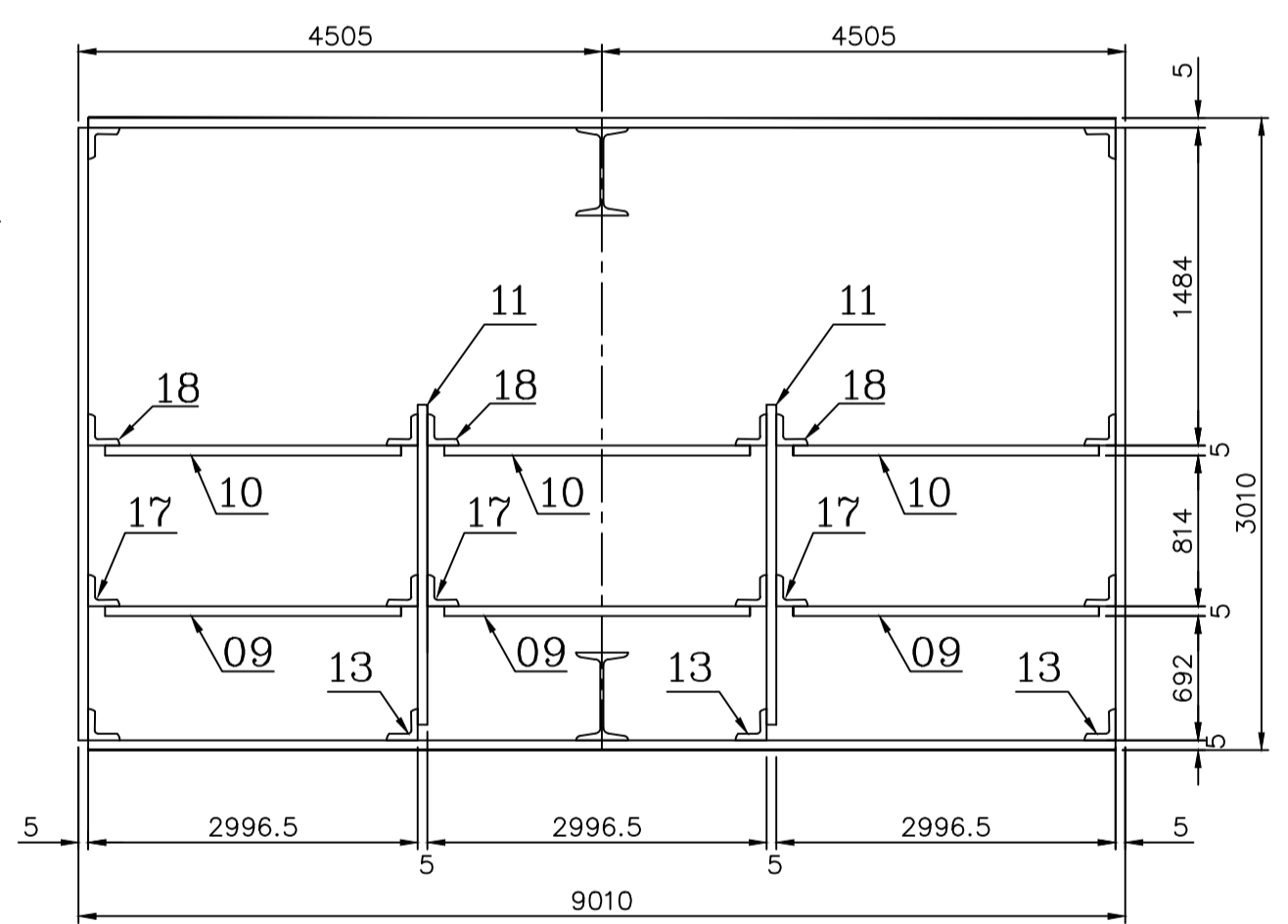
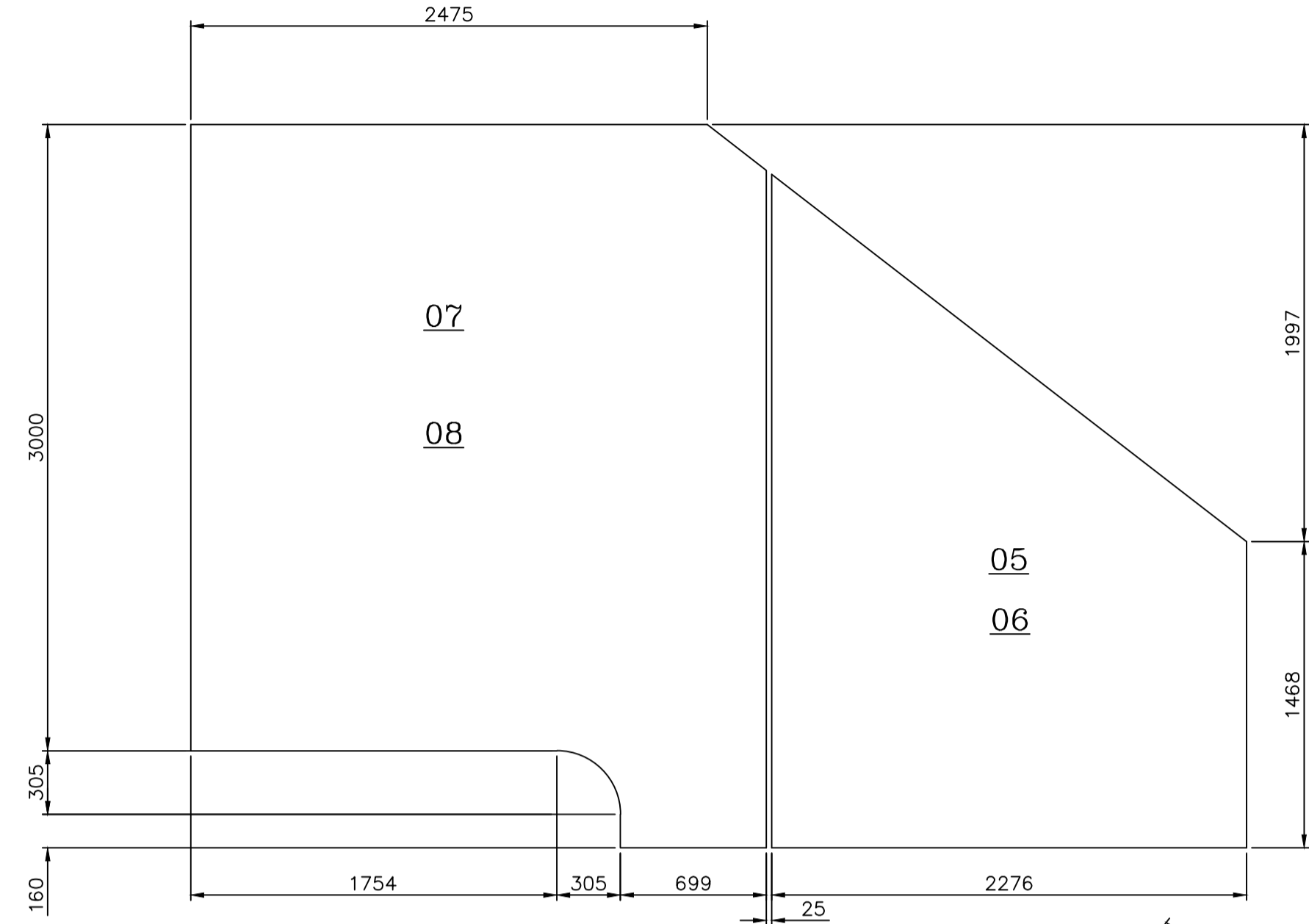
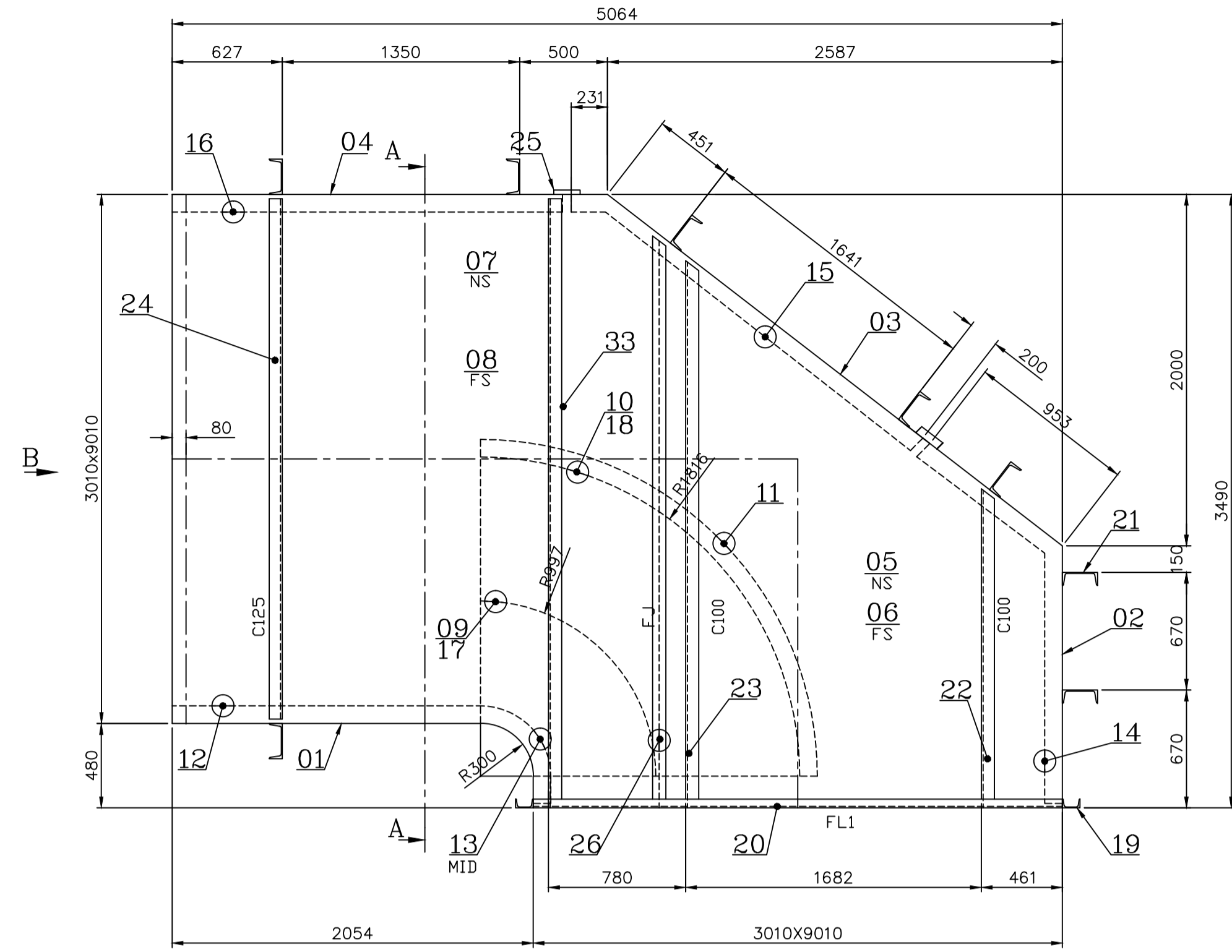
TITLE: ELBOW
DRAWING NO.: 1-48-202-40990
REV

1-48-202-42159
DRAWING NO.

FOR TOLERANCES OF UNTOLERANCED DIMENSIONS DURING MANUFACTURE REFER PLANT STD. NO TP 023 0299

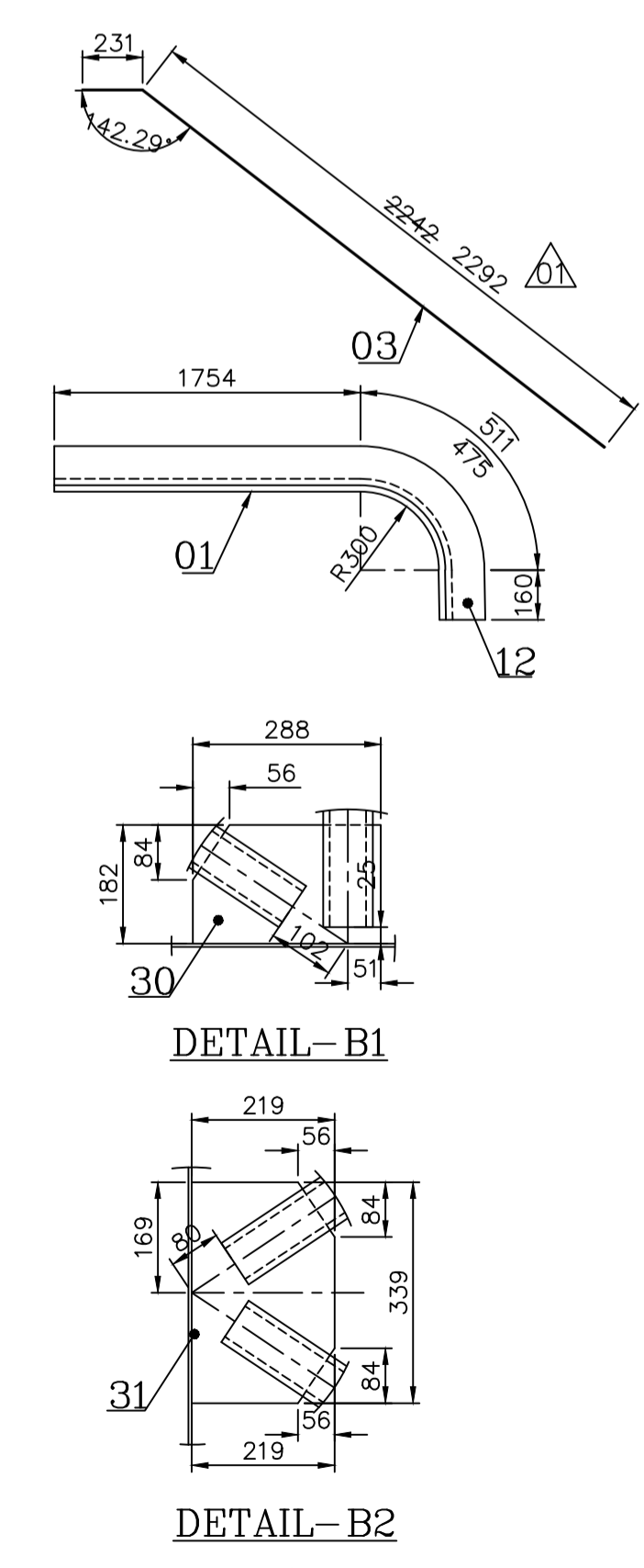
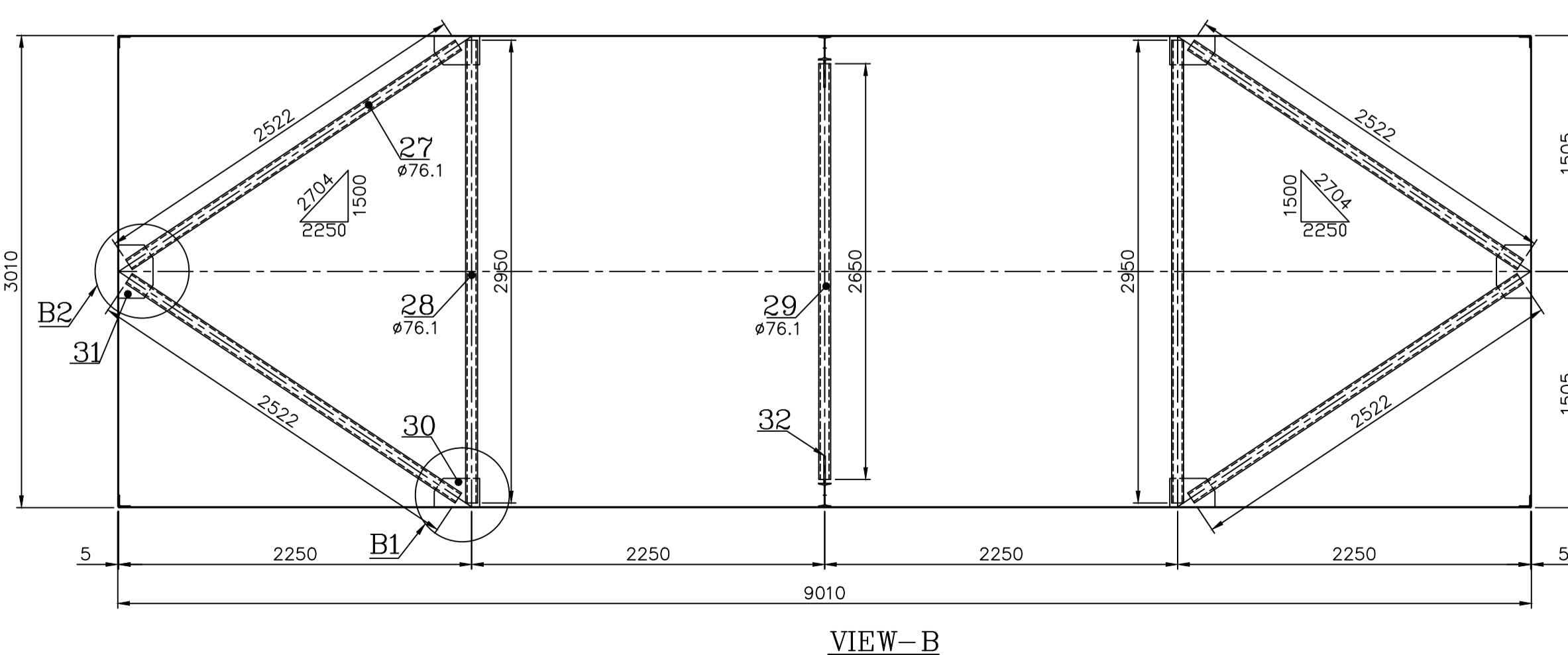
NOTE:

- 01. FOR GENERAL NOTES REFER PAGE NO. 41 (REF:41) OF DUCT CONSTRUCTION MANUAL. REF122 FOR CONSTRUCTION DETAIL.
- 02. NTPC, CORNER SS TYPE, FIELD ASSEMBLED DUCT.



FLANGE DETAILS

FLANGE NO.	REF	D	X	A	B	W	S	E	F	N
FL1	REF110	9010	700	4	3656	3010	884	1	914	30



DESPATCH TABLE

SL. NO.	DESCRIPTION	DU NO.	NO. OFF	ITEM NO.			
				01	12	19	21
1	ELBOW WALL	011	1	01	12	19	21
2	ELBOW WALL	012	1	02	14	19	21
3	ELBOW WALL	013	1	03	15	21	25
4	ELBOW WALL	014	1	04	16	21	25
5	ELBOW WALL	015	1	05	22	23	26
6	ELBOW WALL	016	1	06	22	23	26
7	ELBOW WALL	017	1	07	33	24	
8	ELBOW WALL	018	1	08	33	24	
9	GUIDE VANE	019	3	09	17		
10	GUIDE VANE	020	3	10	18		
11	DIVIDER PLATE	021	2	11	13		
12	COLLECTOR FLANGE	022	2	20			

ITEM NUMBER	DESCRIPTION	STD	DRAWING NUMBER	ITEM NO. VAR NO.	MATERIAL CODE MATERIAL SPECN	UNIT A/C/P	DI	QUANTITY	UNIT WEIGHT	OS	ZONE
33	ISM 100 3415				150100030000			32.647			
					IS2062Fe410A			2			
32	PLATE 10 101x175				150110980000			1.380			
					IS2062Fe410A			2			
31	PLATE 10 219x339				150110980000			5.450			
					IS2062Fe410A			2			
30	PLATE 10 288x182				150110980000			3.930			
					IS2062Fe410A			4			
29	PIPE 76.1x4.5 2650				151650010000			21.050			
					ASTM A53GR			1			
28	PIPE 76.1x4.5 2950				151650010000			23.430			
					ASTM A53GR			2			
27	PIPE 76.1x4.5 2522				151650010000			20.037			
					ASTM A53GR			4			
26	PLATE 5 125x3227				150110290000			15.832			
					IS2062Fe410A			2			
25	PLATE 5 125x9000				150110290000			44.150			
					IS2062Fe410A			2			
24	ISM 125 2950				150100020000			38.640			
					IS2062Fe410A			2			
23	ISM 100 3063				150100030000			29.282			
					IS2062Fe410A			2			
22	ISM 100 1565				150100030000			14.961			
					IS2062Fe410A			2			
21	ISM 200 8950				150100380000			199.580			
					IS2062Fe410A			8			
20	ISM 100 3210				150100030000			30.680			
					IS2062Fe410A			2			
19	ISM 100 9010				150100030000			86.130			
					IS2062Fe410A			2			
18	ISA 75X75X6 2893				150130050000			19.670			
					IS2062Fe410A			6			
17	ISA 75X75X6 1606				150130050000			10.920			
					IS2062Fe410A			6			
16	ISA 75X75X6 2475.5				150130050000			16.830			
					IS2062Fe410A			2			
15	ISA 75X75X6 2495				150130050000			16.966			
					IS2062Fe410A			2			
14	ISA 75X75X6 2434				150130050000			16.551			
					IS2062Fe410A			2			
13	ISA 75X75X6 511				150130050000			3.470			
					IS2062Fe410A			2			
12	ISA 75X75X6 2425				150130050000			16.490			
					IS2062Fe410A			2			
11	PLATE 5 1916x1916				150110290000			109.780			
					IS2062Fe410A			2			
10	PLATE 5 2946.5x2856				150110290000			330.290			
					IS2062Fe410A			3			
09	PLATE 5 2946.5x1570				150110290000			181.570			
					IS2062Fe410A			3			
08	PLATE 5 2759x3465				150110290000			338.330			
					IS2062Fe410A			1			
07	PLATE 5 2759x3465				150110290000			338.330			
					IS2062Fe410A			1			
06	PLATE 5 2276x3227				150110290000			209.673			
					IS2062Fe410A			1			
05	PLATE 5 2276x3227				150110290000			209.673			
					IS2062Fe410A			1			
04	PLATE 5 9000x2221				150110290000			784.560			
					IS2062Fe410A			1			
03	PLATE 5 9000x2523				150110290000			891.240			
					IS2062Fe410A			1			
02	PLATE 5 9000x2423				150110290000			855.924			
					IS2062Fe410A			1			
01	PLATE 5 2389x9000				150110290000			843.910			
					IS2062Fe410A			1			

ITEM NOS 27 TO 32 SENT AS LOOSE
DUS 023 TO 028.

CAUTION: The information on this document is the property of Bharat Heavy Electricals Ltd. It is to be used directly or indirectly in any way detrimental to the interest of the company.

TYPE OF PRODUCT OR NAME OF CUSTOMER/PROJECT

Bharat Heavy Electricals Ltd
UNIT: HIGH PRESSURE BOILER PLANT
TIRUCHIRAPALLI - 620014

DRN	KULA	SIGNATURE	DATE
CHD	RAMANA		1-06-12
APPD	SHAN		1-06-12

355-053

DEPT DU ALL DIMENSIONS ARE IN MM PROJECTION SCALE WEIGHT (Kg) REF TO ASSY / OLD DWG

CODE 124 N.T.S 8909.650 9177.603

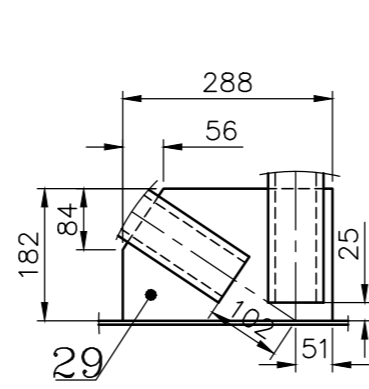
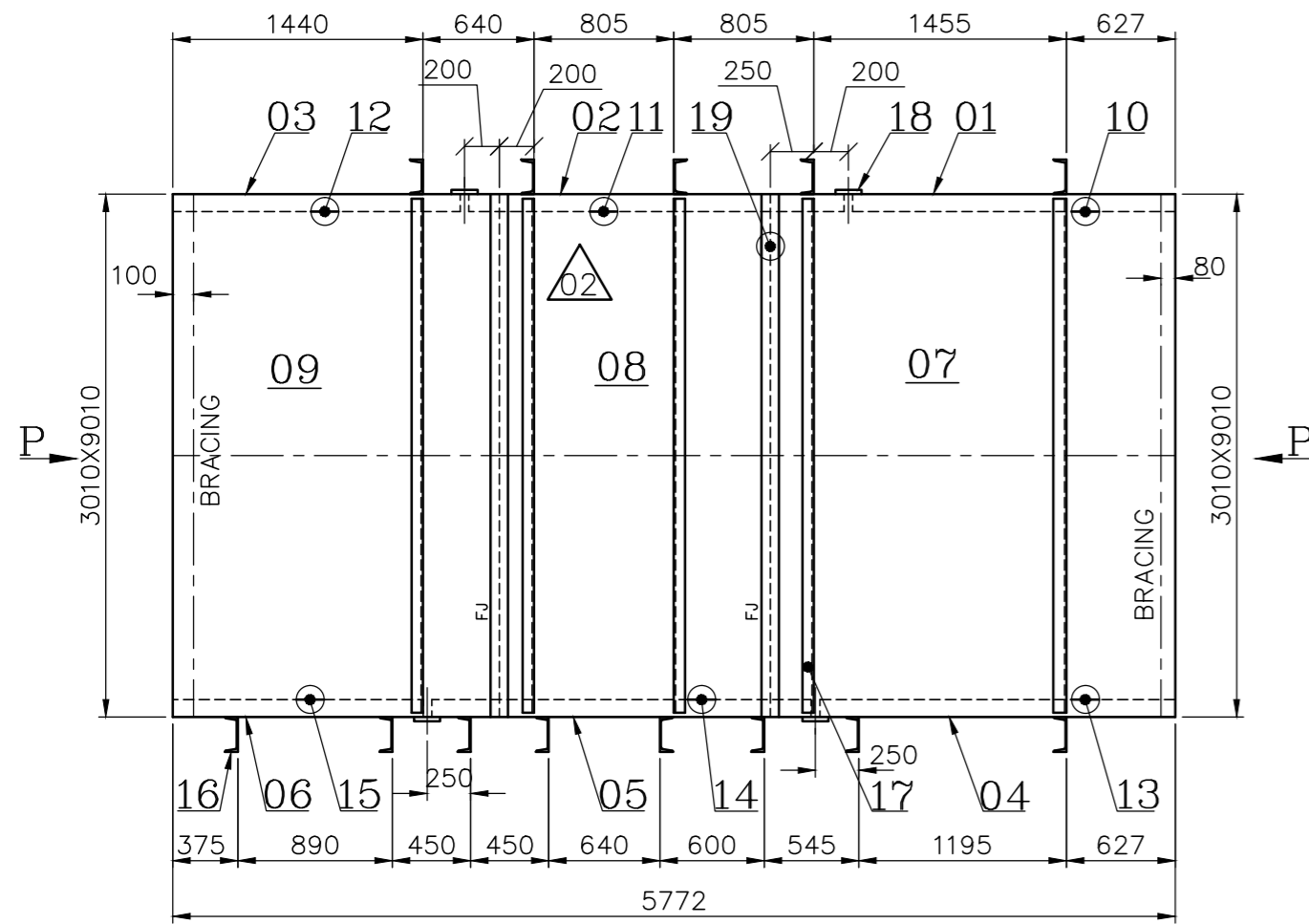
TITLE ELBOW DRAWING NO: 1-48-202-42159 01

REV H

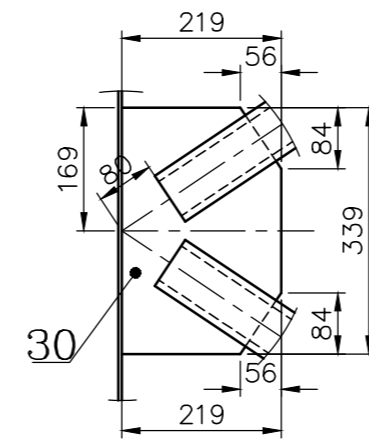
2-48-202-49653

DRWING NO

FOR TOLERANCES OF UNTOLERANCED DIMENSIONS DURING MANUFACTURE REFER PLANT STD. NO TP 023 0299



DETAIL-P1

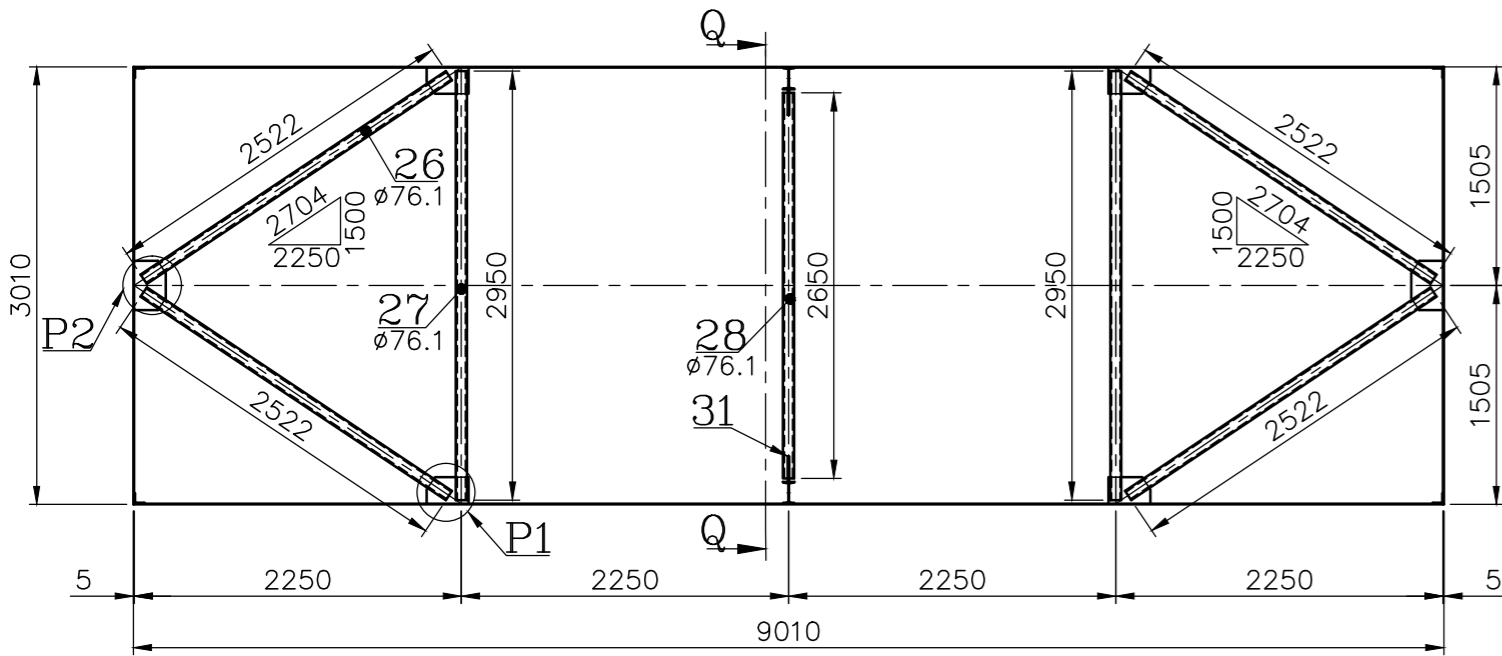


DETAIL-P2

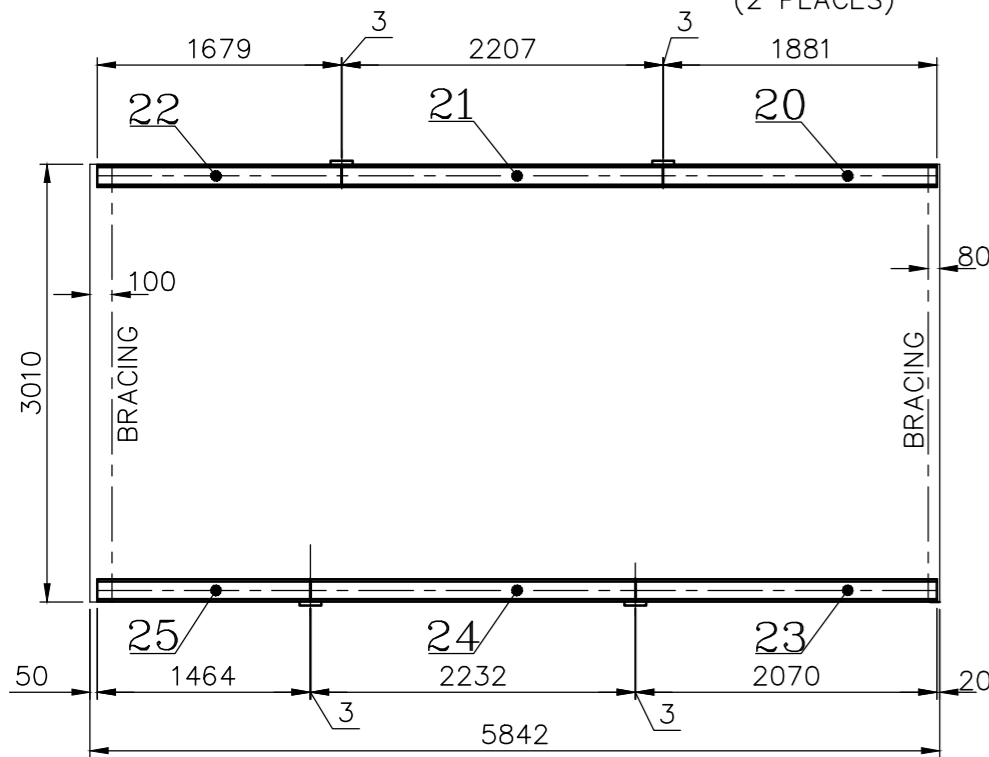
DESPATCH TABLE

SL. NO.	DESCRIPTION	DU NO.	NO. OFF	ITEM NO. NO.OFF										
				01	10	16	18	20	02	11	16	18	21	
1	DUCT WALL	029	1	1	1	1	1	1						
2	DUCT WALL	030	1	1	2	3	1	1						
3	DUCT WALL	031	1	1	2	1	1							
4	DUCT WALL	032	1	1	2	2	1	1						
5	DUCT WALL	033	1	1	2	4	1	1						
6	DUCT WALL	034	1	1	2	2	1							
7	DUCT WALL	035	2	1	2	1								
8	DUCT WALL	036	2	1	2	1								
9	DUCT WALL	037	2	1	1									

ITEM NOS 26 TO 31 SENT AS LOOSE DUS 038 TO 043.



VIEW-P (2 PLACES)



SECTION-QQ

NOTE:

- FOR GENERAL NOTES REFER PAGE NO. 41 (REF:41) OF DUCT CONSTRUCTION MANUAL.
- NTPC, CORNER SS TYPE, FIELD ASSEMBLED DUCT

31	PLATE 10 101x175			150110980000		1.380	
				IS2062Fe410A		4	
30	PLATE 10 219x339			150110980000		5.450	
				IS2062Fe410A		4	
29	PLATE 10 288x182			150110980000		3.930	
				IS2062Fe410A		8	
28	PIPE 76.1x4.5 2650			151650010000		21.050	
				ASTM A 53 GR		2	
27	PIPE 76.1x4.5 2950			151650010000		23.430	
				ASTM A 53 GR		4	
26	PIPE 76.1x4.5 2522			151650010000		21.340	
				ASTM A 53 GR		8	
25	ISMB 150 1464			150090220000		21.960	
				IS2062Fe410A		1	

REV	DATE	ALTERED	BY	REV	DATE	ALTERED	BY
02	06.01.11	CHD & APPD : P.K.ADHI		01	29.9.10	CHD & APPD : PANDIAN	
ZONE		FJ PLATE VIEW CORRECTED AS PER DRG		ZONE		ITEM NO. 07,08,09&17 LENGTH ALTERED	

VARIANT NUMBER	ITEM NUMBER	DESCRIPTION	STD	DRAWING NUMBER	ITEM NO	MATERIAL CODE	A/C/P	UNIT	UNIT WEIGHT	CS	ZONE
VAR NO						MATERIAL SPECN		DI	QUANTITY		
	24	ISMB 150 2232			150090220000	IS2062Fe410A			33.480		A
	23	ISMB 150 2071			150090220000	IS2062Fe410A			31.060		A
	22	ISMB 150 1679			150090220000	IS2062Fe410A			25.180		A
	21	ISMB 150 2207			150090220000	IS2062Fe410A			33.100		A
	20	ISMB 150 1881			150090220000	IS2062Fe410A			28.210		A
	19	PLATE 5 125x3000			150110290000	IS2062Fe410A			14.710		A
	18	PLATE 5 125x9000			150110290000	IS2062Fe410A			44.150		B
	17	ISMC 125 2950 3000			150100020000	IS2062Fe410A			39.300		B
	16	ISMC 200 8950			150100380000	IS2062Fe410A			199.580		B
	15	ISA 75X75X6 1463.5			150130050000	IS2062Fe410A			9.950		B
	14	ISA 75X75X6 2232			150130050000	IS2062Fe410A			15.170		B
	13	ISA 75X75X6 2070.5			150130050000	IS2062Fe410A			14.070		B
	12	ISA 75X75X6 1678.5			150130050000	IS2062Fe410A			11.410		C
	11	ISA 75X75X6 2207			150130050000	IS2062Fe410A			15.000		C
	10	ISA 75X75X6 1880.5			150130050000	IS2062Fe410A			12.780		C
	09	PLATE 5 1867.5x2950 3000			150110290000	IS2062Fe410A			219.900		D
	08	PLATE 5 1535x2950 3000			150110290000	IS2062Fe410A			180.740		D
	07	PLATE 5 2319.5x2950 3000			150110290000	IS2062Fe410A			273.100		D
	06	PLATE 5 1452.5x9000			150110290000	IS2062Fe410A			513.090		D
	05	PLATE 5 2210x9000			150110290000	IS2062Fe410A			780.680		D
	04	PLATE 5 2059.5x9000			150110290000	IS2062Fe410A			727.510		D
	03	PLATE 5 1667.5x9000			150110290000	IS2062Fe410A			589.040		D
	02	PLATE 5 2185x9000			150110290000	IS2062Fe410A			771.850		D
	01	PLATE 5 1869.5x9000			150110290000	IS2062Fe410A			660.400		D

CAUTION: The information on this document is the property of BHARAT HEAVY ELECTRICALS LTD. It must not be used directly or indirectly in any way detrimental to the interest of the company.

TYPE OF PRODUCT OR NAME OF CUSTOMER/PROJECT

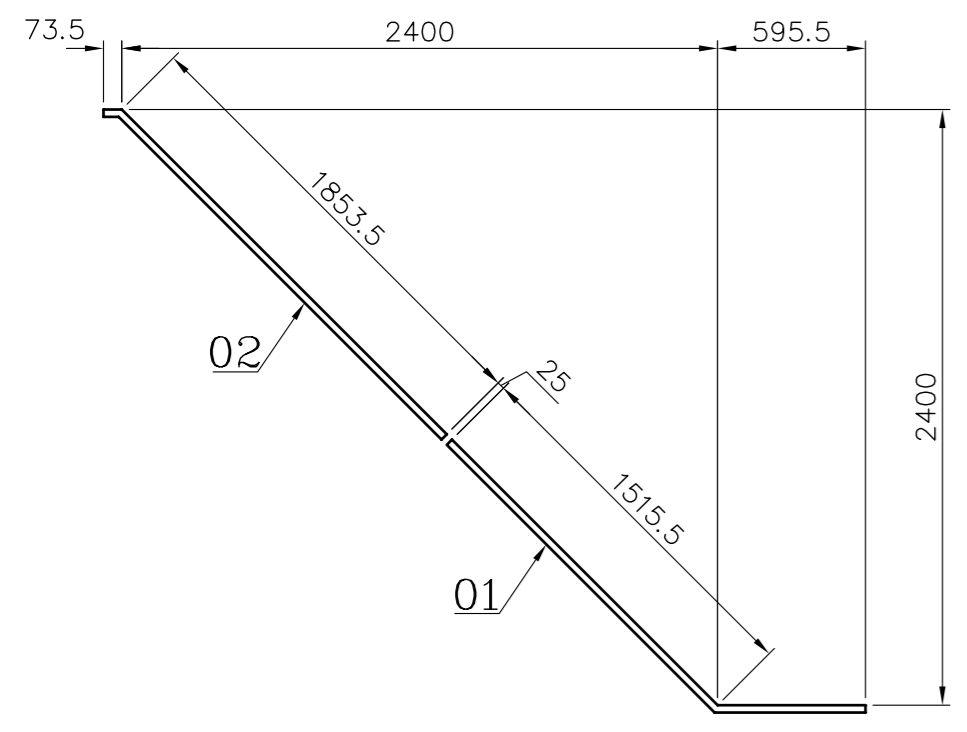
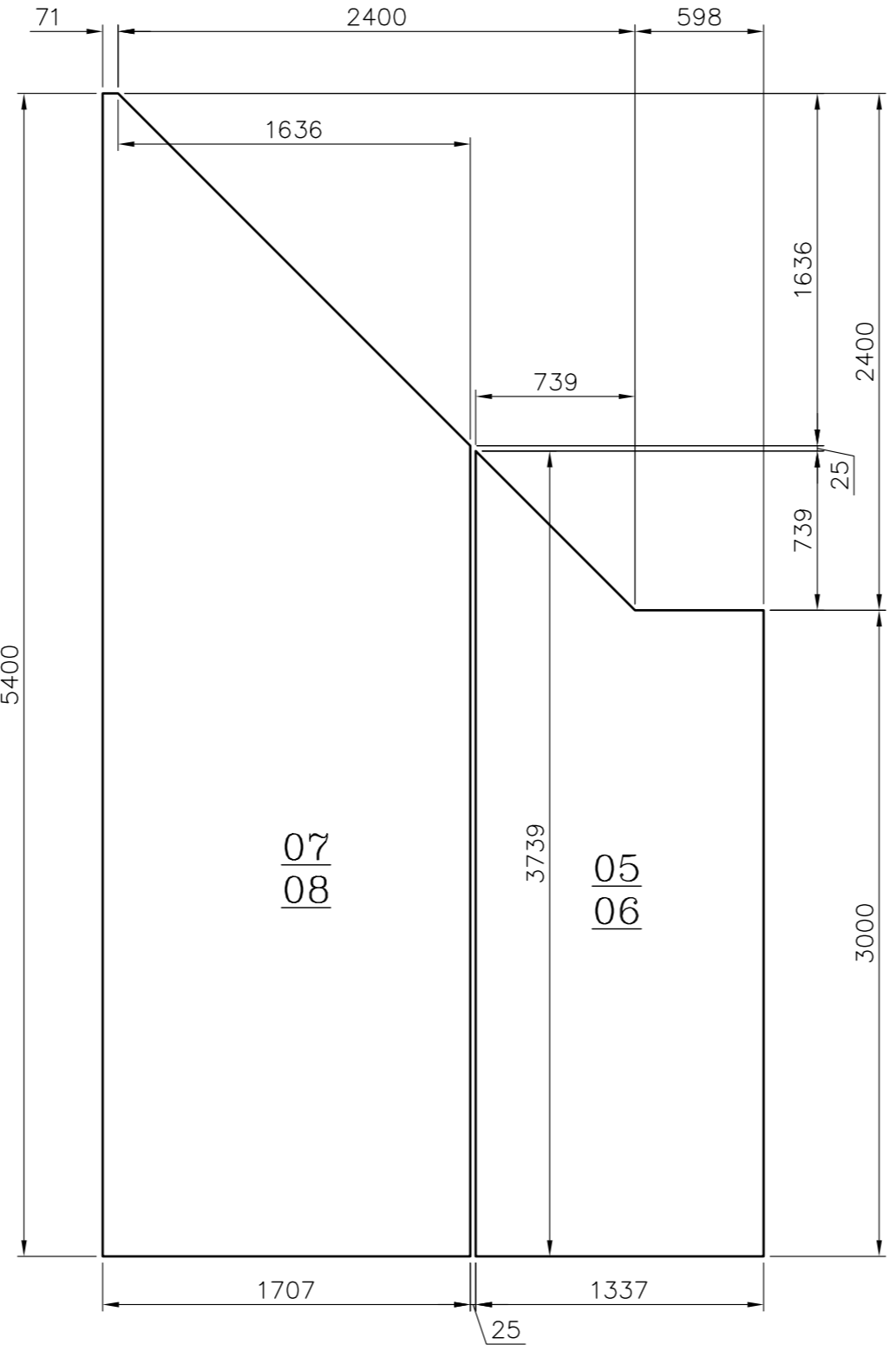
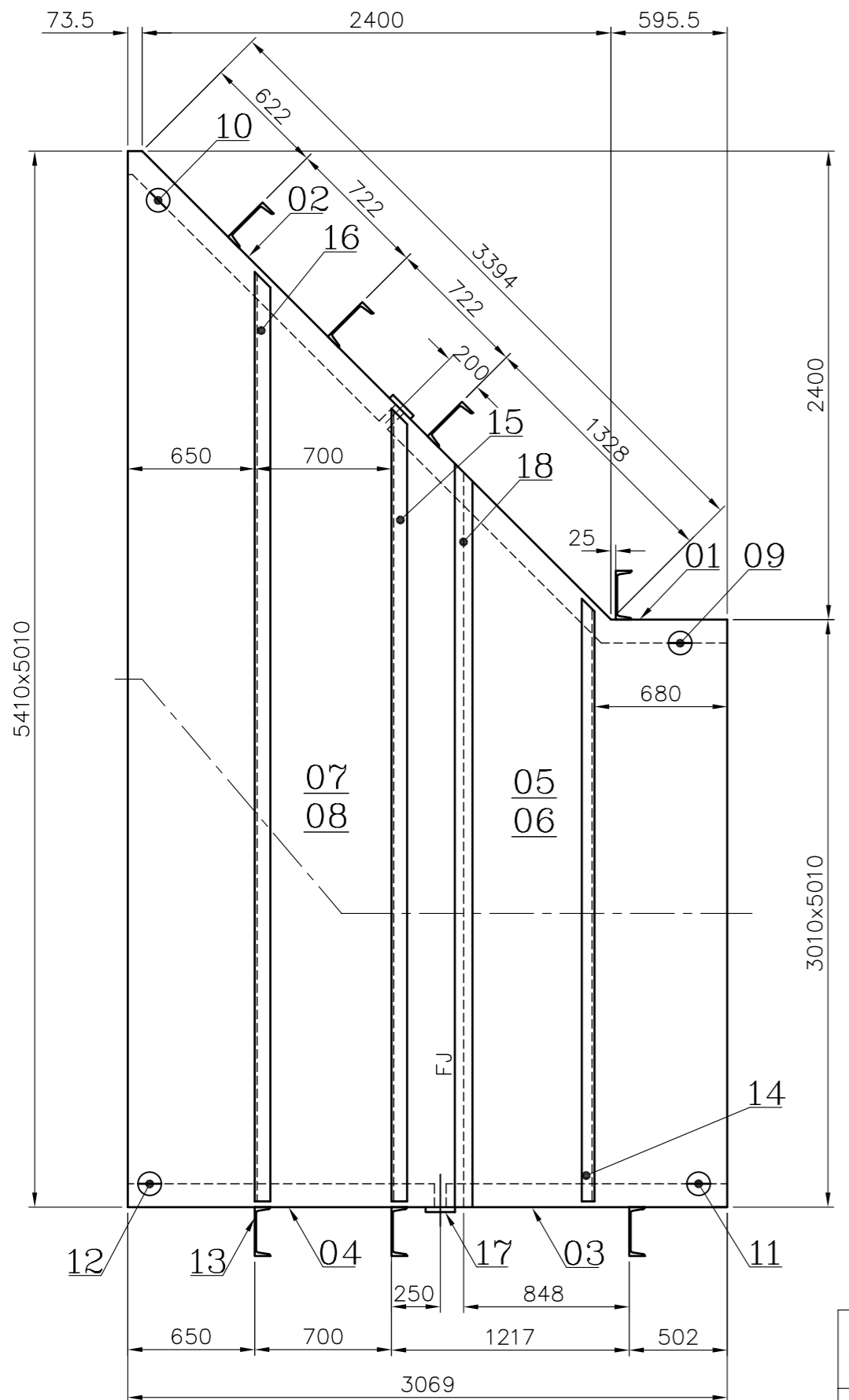
Bharat Heavy Electricals Ltd
UNIT: HIGH PRESSURE BOILER PLANT
TIRUCHIRAPALLI - 620014

DRN	NAME	SIGNATURE	DATE
EOL/KUMAR			17-12-09
CHD	K.P		17-12-09
APPD	P.K.ADHI		17-12-09

DEPT DU ALL DIMENSIONS ARE IN MM PROJECTION SCALE WEIGHT (Kg) REF TO ASSY / OLD DWG

124 N.T.S 9268.560 9280.440

TITLE DUCT DRAWING NO : 2-48-202-49653 REV 02



NOTE:

- 01. FOR GENERAL NOTES REFER PAGE NO. 41 (REF:41) OF DUCT CONSTRUCTION MANUAL. REF122 FOR CONSTRUCTION DETAIL.
- 02. NTPC, CORNER SS TYPE, FIELD ASSEMBLED DUCT

VARIANT NUMBER	ITEM NUMBER	DESCRIPTION	STD	DRAWING NUMBER	ITEM NO	MATERIAL CODE	A/C/P	UNIT	UNIT WEIGHT	GS	ZONE
					VAR NO	MATERIAL SPECN	DI		QUANTITY		
	18	PLATE 5 125x3839 C.T.S.				150110290000 IS2062Fe410A			18.830 2		B
	17	PLATE 5 125x5000				150110290000 IS2062Fe410A			24.530 2		B
	16	ISMC 200 4773				150100380000 IS2062Fe410A			106.430 2		B
	15	ISMC 150 4073				150100350000 IS2062Fe410A			68.420 2		B
	14	ISMC 125 3100				150100020000 IS2062Fe410A			40.610 2		B
	13	ISMC 250 4950				150100340000 IS2062Fe410A			169.290 7		C
	12	ISA 75X75X6 1598.5				150130050000 IS2062Fe410A			10.870 2		C
	11	ISA 75X75X6 1467.5				150130050000 IS2062Fe410A			9.970 2		C
	10	ISA 75X75X6 1938				150130050000 IS2062Fe410A			13.170 2		C
	09	ISA 75X75X6 2188				150130050000 IS2062Fe410A			14.870 2		C
	08	PLATE 5 1707x5400				150110290000 IS2062Fe410A			309.290 1		D
	07	PLATE 5 1707x5400				150110290000 IS2062Fe410A			309.290 1		D
	06	PLATE 5 1337x3739				150110290000 IS2062Fe410A			168.140 1		D
	05	PLATE 5 1337x3739				150110290000 IS2062Fe410A			168.140 1		D
	04	PLATE 5 5000x1587.5				150110290000 IS2062Fe410A			311.540 1		D
	03	PLATE 5 5000x1456.5				150110290000 IS2062Fe410A			285.830 1		D
	02	PLATE 5 5000x1927				150110290000 IS2062Fe410A			378.170 1		D
	01	PLATE 5 5000x2111				150110290000 IS2062Fe410A			414.280 1		E

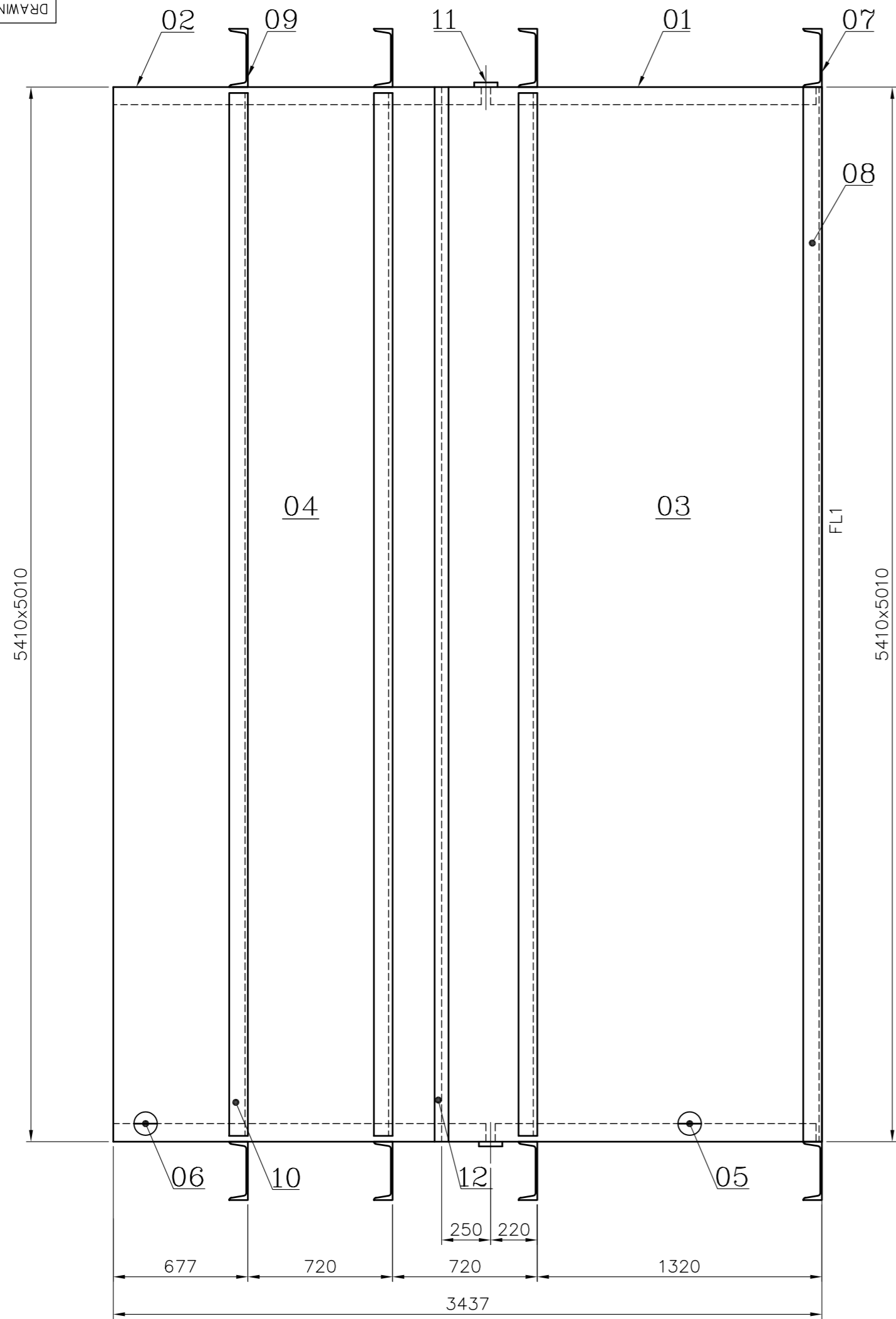
DESPATCH TABLE

SL. NO.	DESCRIPTION	DU NO.	NO. OFF	ITEM NO. NO.OFF			
1	TRANSITION WALL	059	1	01	09	13	
				1	2	2	
2	TRANSITION WALL	060	1	02	10	13	17
				1	2	2	1
3	TRANSITION WALL	061	1	03	11	13	17
				1	2	1	1
4	TRANSITION WALL	062	1	04	12	13	
				1	2	2	
5	TRANSITION WALL	063	1	05	14	18	
				1	1	1	
6	TRANSITION WALL	064	1	06	14	18	
				1	1	1	
7	TRANSITION WALL	065	1	07	15	16	
				1	1	1	
8	TRANSITION WALL	066	1	08	15	16	
				1	1	1	

REV 01	DATE	ALTERED :
ZONE		CHD & APPD :

CAUTION: The information on this document is the property of BHARAT HEAVY ELECTRICALS LTD. It must not be used directly or indirectly in any way detrimental to the interest of the company.

TYPE OF PRODUCT OR NAME OF CUSTOMER/PROJECT			
Bharat Heavy Electricals Ltd		DRN	NAME
UNIT: HIGH PRESSURE BOILER PLANT		CHD	EOL/KUMAR
TIRUCHIRAPALLI - 620014		APPD	P.K.ADHI
355-054		SIGNATURE	DATE
DEPT DU			17-12-09
CODE 124			17-12-09
ALL DIMENSIONS ARE IN MM			17-12-09
PROJECTION	SCALE	WEIGHT (Kg)	REF TO ASSY / OLD DWG
	N.T.S	4145.110	
TITLE			DRAWING NO :
TRANSITION			2-48-202-49654
			REV



NOTE:

- 01. FOR GENERAL NOTES REFER PAGE NO. 41 (REF:41) OF DUCT CONSTRUCTION MANUAL. REF122 FOR CONSTRUCTION DETAIL.
- 02. NTPC, CORNER SS TYPE, FIELD ASSEMBLED DUCT

FLANGE DETAILS

FLANGE NO.	REF	D	X	A	B	W	S	E	F	N
FL1	REF109	5010	528	2	1828	5410	728	2	1828	28

VARIANT NUMBER	ITEM NUMBER	DESCRIPTION	STD	DRAWING NUMBER	ITEM NO	MATERIAL CODE	A/C/P	UNIT	UNIT WEIGHT	GS	ZONE
					VAR NO	MATERIAL SPECN	DI		QUANTITY		
	12	PLATE 5 125x5400				150110290000 IS2062Fe410A			26.490 2		
	11	PLATE 5 125x5000				150110290000 IS2062Fe410A			24.530 2		
	10	ISMC 250 5350				150100340000 IS2062Fe410A			182.970 6		
	09	ISMC 250 4950				150100340000 IS2062Fe410A			169.290 6		
	08	ISMC 250 5410				150100340000 IS2062Fe410A			185.020 2		
	07	ISMC 250 5510				150100340000 IS2062Fe410A			188.440 2		
	06	ISA 75X75X6 1895.5				150130050000 IS2062Fe410A			12.880 4		
	05	ISA 75X75X6 1518.5				150130050000 IS2062Fe410A			10.320 4		
	04	PLATE 5 5400x1634.5				150110290000 IS2062Fe410A			346.430 2		
	03	PLATE 5 5400x1757.5				150110290000 IS2062Fe410A			372.500 2		
	02	PLATE 5 5000x1884.5				150110290000 IS2062Fe410A			369.830 2		
	01	PLATE 5 5000x1507.5				150110290000 IS2062Fe410A			295.840 2		

DESPATCH TABLE

SL. NO.	DESCRIPTION	DU NO.	NO. OFF	ITEM NO.				
				NO. OFF				
1	DUCT WALL	148	2	01	05	07	09	11
				1	2	1	1	1
2	DUCT WALL	149	2	02	06	09		
				1	2	2		
3	DUCT WALL	150	2	03	08	10		
				1	1	1		
4	DUCT WALL	151	2	04	10	12		
				1	2	1		

REV	DATE	ALTERED :
01		CHD & APPD :

CAUTION: The information on this document is the property of BHARAT HEAVY ELECTRICALS LTD. It must not be used directly or indirectly in any way detrimental to the interest of the company.

TYPE OF PRODUCT OR NAME OF CUSTOMER/PROJECT

Bharat Heavy Electricals Ltd
UNIT: HIGH PRESSURE BOILER PLANT
TIRUCHIRAPALLI - 620014

DRN	NAME EOL./KUMAR	SIGNATURE	DATE 17-12-09
CHD	K.PANDIYAN		17-12-09
APPD	P.K.ADHI		17-12-09

DEPT DU 355-054 ALL DIMENSIONS ARE IN MM PROJECTION SCALE N.T.S WEIGHT (Kg) 5824.520 REF TO ASSY / OLD DWG

CODE 124

TITLE **DUCT**

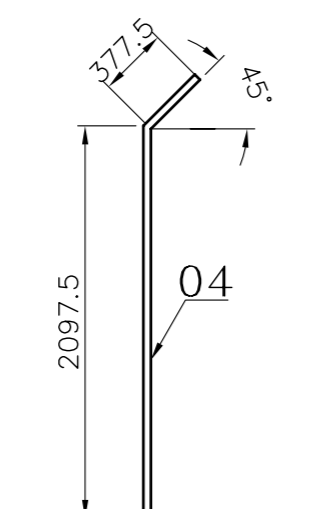
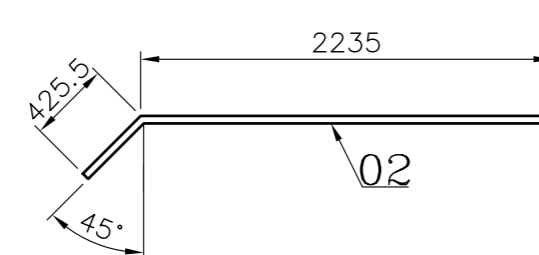
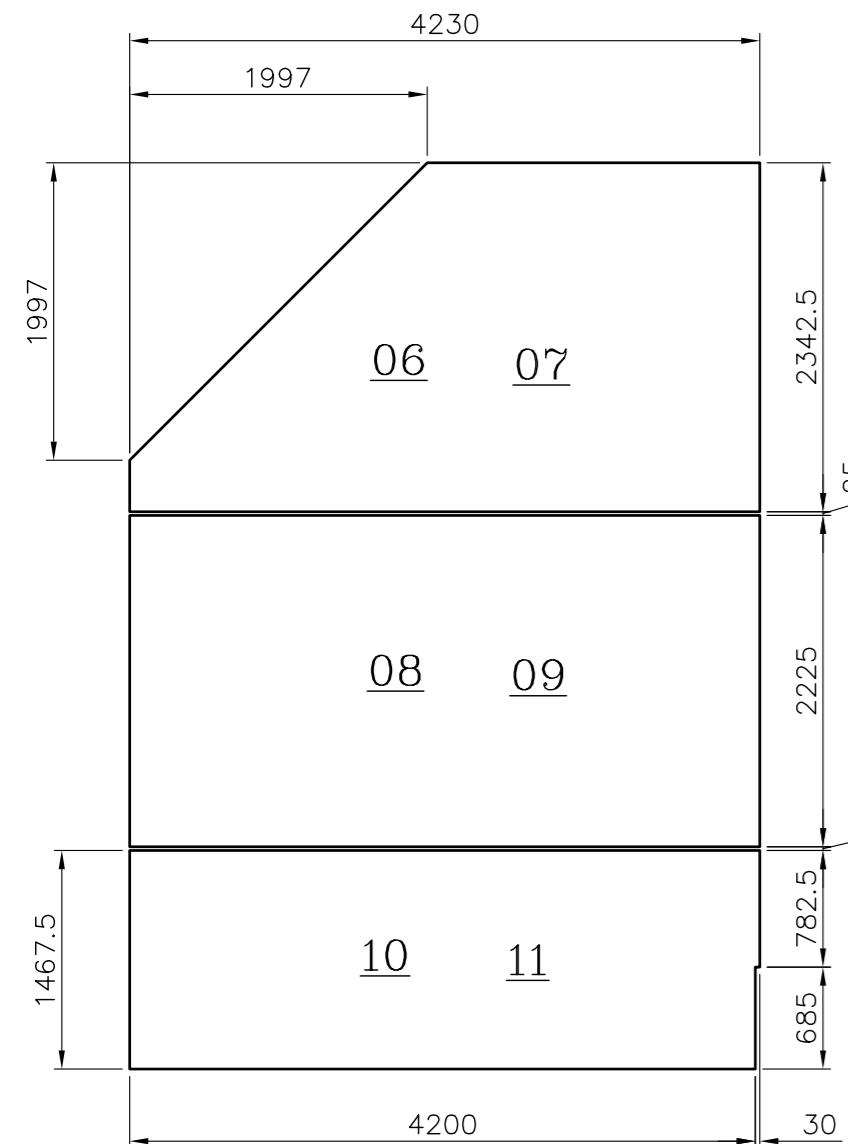
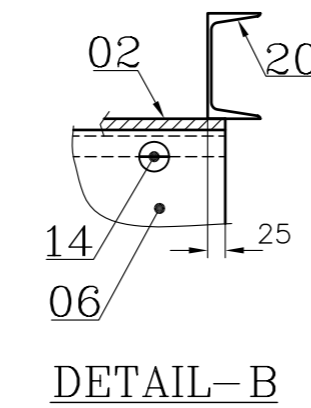
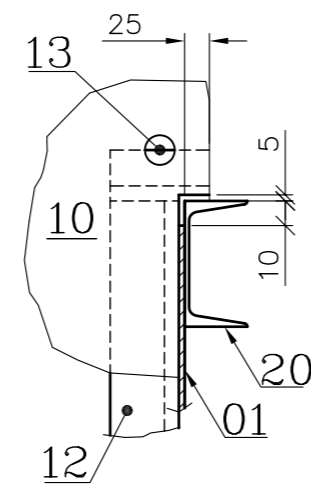
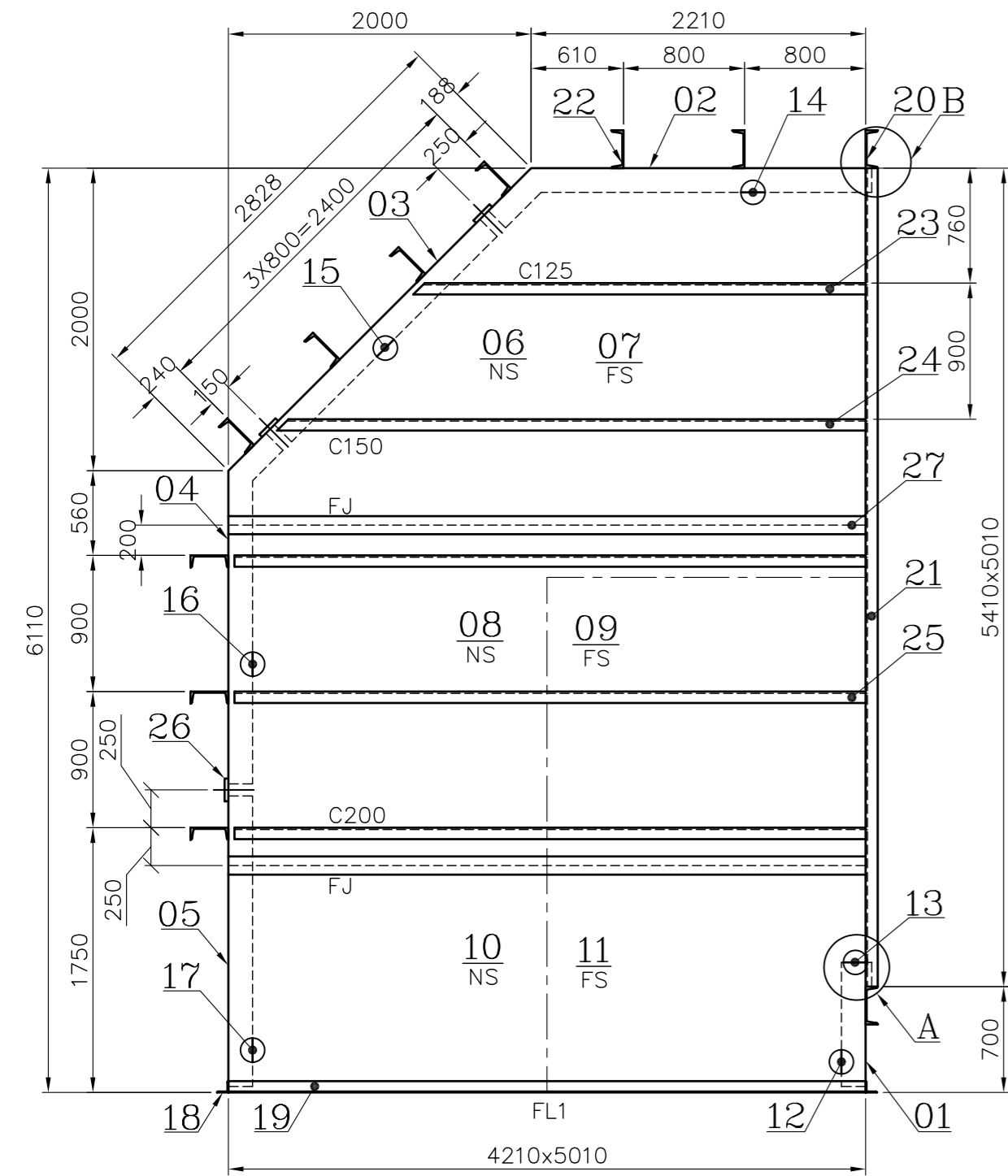
DRAWING NO : **2-48-202-49655**

REV

DESPATCH TABLE

SL. NO.	DESCRIPTION	DU NO.	NO. OFF	ITEM NO.			
				NO.	NO.	NO.	NO.
1	ELBOW WALL	152	1	01	12	18	20
2	ELBOW WALL	153	1	02	14	20	22
3	ELBOW WALL	154	1	03	15	22	26
4	ELBOW WALL	155	1	04	16	22	26
5	ELBOW WALL	156	1	05	17	18	22 26
6	ELBOW WALL	157	1	06	23	24	
7	ELBOW WALL	158	1	07	23	24	
8	ELBOW WALL	159	1	08	25	27	
9	ELBOW WALL	160	1	09	25	27	
10	ELBOW WALL	161	1	10	13	19	27
11	ELBOW WALL	162	1	11	13	19	27
12	COLLECTOR CHANNEL	163	2	21			

VARIANT NUMBER	ITEM NUMBER	DESCRIPTION	STD	DRAWING NUMBER	ITEM NO	MATERIAL CODE	A/C/P	UNIT	UNIT WEIGHT	GS	ZONE
					VAR NO	MATERIAL SPECN	DI		QUANTITY		
	24	ISMC 150 3915				150100350000			65.770		A
						IS2062Fe410A			2		
	23	ISMC 125 3015				150100020000			39.490		
						IS2062Fe410A			2		
	22	ISMC 250 4950				150100340000			169.290		
						IS2062Fe410A			9		
	21	ISMC 250 5410				150100340000			185.020		
						IS2062Fe410A			2		
	20	ISMC 250 5510				150100340000			188.440		
						IS2062Fe410A			2		
	19	ISA 75X75X6 4210				150130050000			28.620		
						IS2062Fe410A			2		
	18	ISA 75X75X6 5160				150130050000			35.080		B
						IS2062Fe410A			2		
	17	ISA 75X75X6 1978.5				150130050000			13.450		
						IS2062Fe410A			2		
	16	ISA 75X75X6 2497				150130050000			16.980		
						IS2062Fe410A			2		
	15	ISA 75X75X6 1997				150130050000			13.580		
						IS2062Fe410A			2		
	14	ISA 75X75X6 2671.5				150130050000			18.160		
						IS2062Fe410A			2		
	13	ISA 75X75X6 100				150130050000			0.680		
						IS2062Fe410A			2		C
	12	ISA 75X75X6 680				150130050000			4.620		
						IS2062Fe410A			2		
	11	PLATE 5 1467.5x4230				150110290000			242.830		
						IS2062Fe410A			1		
	10	PLATE 5 1467.5x4230				150110290000			242.830		
						IS2062Fe410A			1		
	09	PLATE 5 2225x4230				150110290000			369.400		
						IS2062Fe410A			1		
	08	PLATE 5 2225x4230				150110290000			369.400		
						IS2062Fe410A			1		
	07	PLATE 5 2342.5x4230				150110290000			310.620		
						IS2062Fe410A			1		D
	06	PLATE 5 2342.5x4230				150110290000			310.620		
						IS2062Fe410A			1		
	05	PLATE 5 5000x1967.5				150110290000			386.120		
						IS2062Fe410A			1		
	04	PLATE 5 5000x2475				150110290000			485.710		
						IS2062Fe410A			1		
	03	PLATE 5 5000x1975				150110290000			387.590		
						IS2062Fe410A			1		
	02	PLATE 5 5000x2660.5				150110290000			522.120		
						IS2062Fe410A			1		
	01	PLATE 5 5000x670				150110290000			131.480		E
						IS2062Fe410A			1		



NOTE:

- 01. FOR GENERAL NOTES REFER PAGE NO. 41 (REF: 41) OF DUCT CONSTRUCTION MANUAL. REF122 FOR CONSTRUCTION DETAIL.
- 02. NTPC, CORNER SS TYPE, FIELD ASSEMBLED DUCT

FLANGE DETAILS

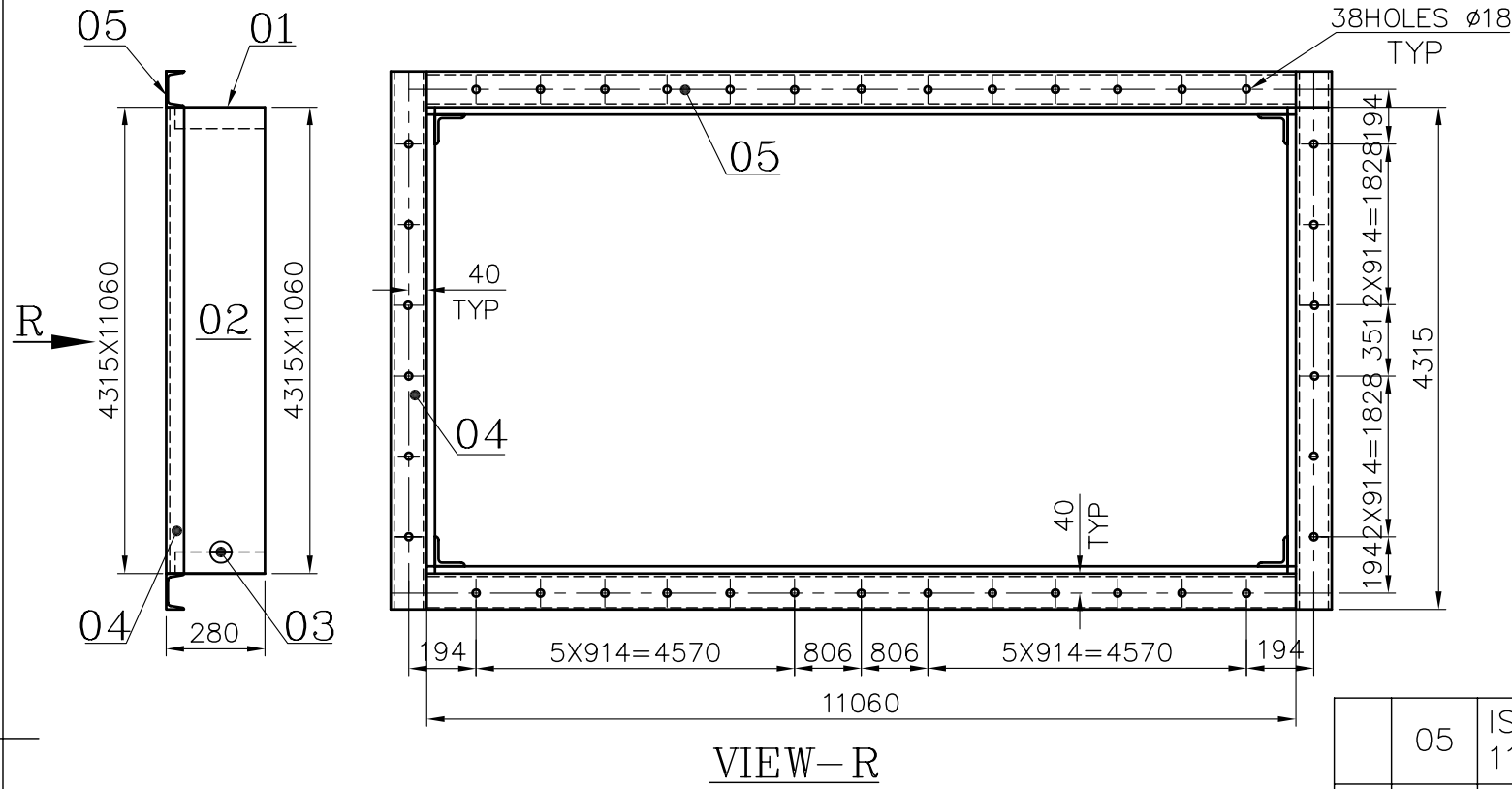
FLANGE NO.	REF	D	X	A	B	W	S	E	F	N
FL1	REF109	5010	528	2	1828	4210	1042	1	914	24

27	PLATE 5 125x4205								150110290000		20.630
									IS2062Fe410A		4
26	PLATE 5 125x5000								150110290000		24.530
									IS2062Fe410A		3
25	ISMC 200 4180								150100380000		93.210
									IS2062Fe410A		6

REV	DATE	ALTERED :
01		CHD & APPD :

CAUTION: The information on this document is the property of BHARAT HEAVY ELECTRICALS LTD. It must not be used directly or indirectly in any way detrimental to the interest of the company.

TYPE OF PRODUCT OR NAME OF CUSTOMER/PROJECT			
 Bharat Heavy Electricals Ltd UNIT: HIGH PRESSURE BOILER PLANT TIRUCHIRAPALLI - 620014			
DRN	NAME	SIGNATURE	DATE
CHD	EOL/KUMAR		17-12-09
APPD	P.K.ADHI		17-12-09
DEPT	PROJECT	SCALE	WEIGHT (Kg)
DU	ALL DIMENSIONS ARE IN MM	N.T.S	7217.480
CODE	124		
TITLE			REF TO ASSY / OLD DWG
ELBOW			
DRAWING NO :			REV
2-48-202-49656			



NOTE:

- 01. FOR GENERAL NOTES REFER PAGE NO. 41 (REF:41) OF DUCT CONSTRUCTION MANUAL. REF122 FOR CONSTRUCTION DETAIL.
- 02. NTPC, CORNER SS TYPE, FIELD ASSEMBLED DUCT

DESPATCH TABLE

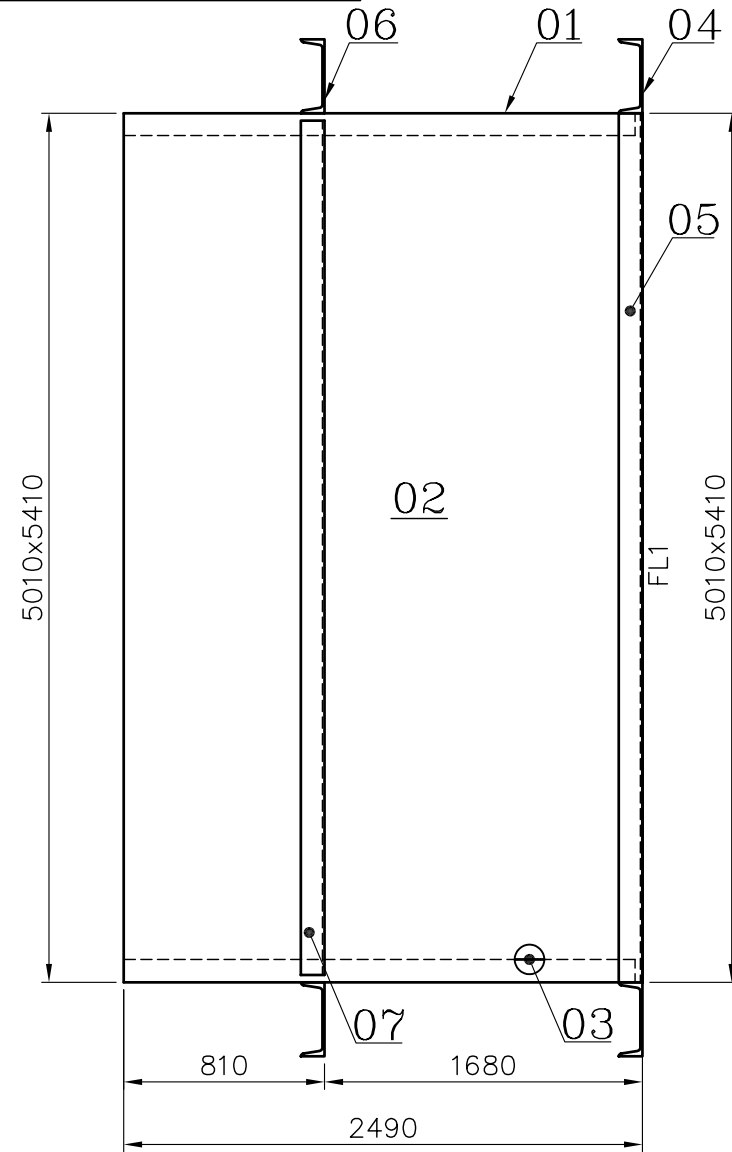
SL. NO.	DESCRIPTION	DU NO.	NO. OFF	ITEM NO.		
				NO. OFF		
1	DUCT WALL	001	2	01	03	05
				1	2	1
2	DUCT WALL	002	2	02	04	
				1	1	

ITEM NUMBER	DESCRIPTION	STD	DRAWING NUMBER	ITEM NO	MATERIAL CODE	A/C/P	UNIT	UNIT WEIGHT	CS
VAR NO	MATERIAL SPECN					DI	QUANTITY		
05	ISMC 100 11060				150100030000			105.730	
					IS2062Fe410A			2	
04	ISMC 100 4515				150100030000			43.160	
					IS2062Fe410A			2	
03	ISA 75X75X6 260				150130050000			1.760	
					IS2062Fe410A			4	
02	PLATE 5 4305x260				150110290000			43.930	
					IS2062Fe410A			2	
01	PLATE 5 11050x260				150110290000			112.760	
					IS2062Fe410A			2	

<p style="font-size: small;">CAUTION: The information on this document is the property of BHARAT HEAVY ELECTRICALS LTD. It must not be used directly or indirectly in any way detrimental to the interest of the company.</p>		TYPE OF PRODUCT OR NAME OF CUSTOMER/PROJECT						
		Bharat Heavy Electricals Ltd UNIT: HIGH PRESSURE BOILER PLANT TIRUCHIRAPALLI - 620014		DRN	NAME	SIGNATURE	DATE	
		DEPT	ALL DIMENSIONS ARE IN MM	PROJECTION	SCALE	WEIGHT (Kg)	REF TO ASSY / OLD DWG	
		CODE	124		N.T.S	618.200	DRAWING NO :	REV
		DUCT				3-48-202-73079		

REV	DATE	ALTERED :
01		CHD & APPD :
ZONE		

DRAWING NO: 3-48-202-73081



NOTE:

- 01. FOR GENERAL NOTES REFER PAGE NO. 41 (REF:41) OF DUCT CONSTRUCTION MANUAL. REF122 FOR CONSTRUCTION DETAIL.
- 02. NTPC, CORNER SS TYPE, FIELD ASSEMBLED DUCT

FLANGE DETAILS

FLANGE NO.	REF	D	X	A	B	W	S	E	F	N
FL1	REF109	5410	728	2	1828	5010	528	2	1828	28

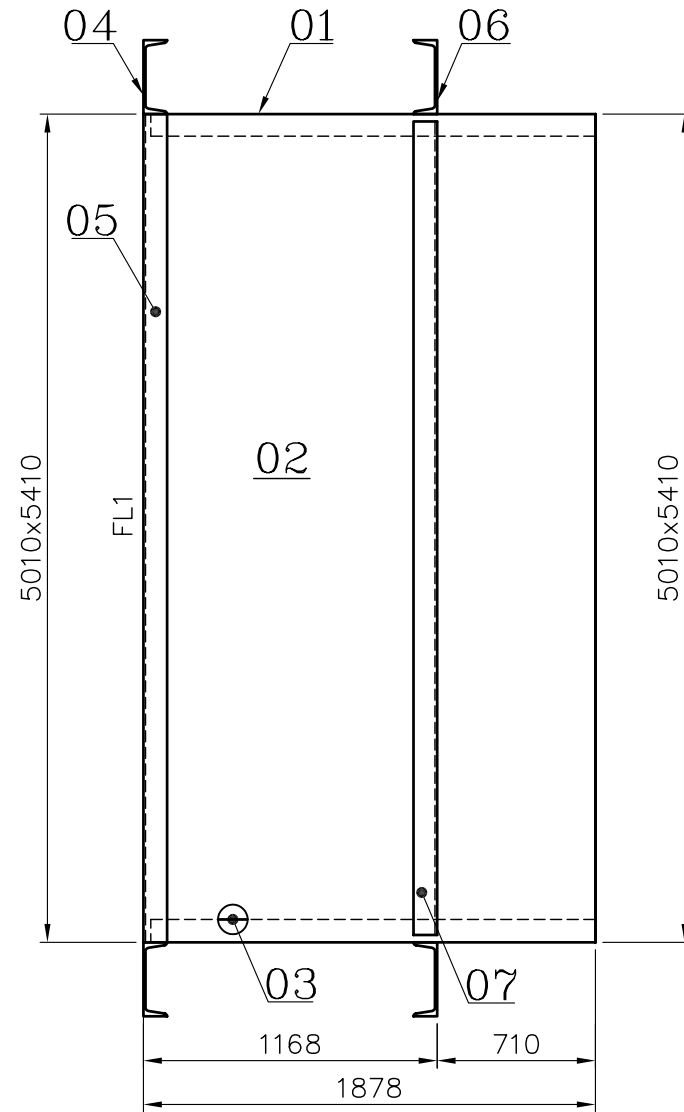
DESPATCH TABLE

SL. NO.	DESCRIPTION	DU NO.	NO. OFF	ITEM NO.			
				NO. OFF			
1	DUCT WALL	144	2	01	03	04	06
				1	2	1	1
2	DUCT WALL	145	2	02	05	07	
				1	1	1	

ITEM NUMBER	DESCRIPTION	STD	DRAWING NUMBER	ITEM NO	MATERIAL CODE	A/C/P	UNIT	UNIT WEIGHT	CS
				VAR NO	MATERIAL SPECN		DI	QUANTITY	
07	ISMC 250 4950				150100340000			169.290	
					IS2062Fe410A			2	
06	ISMC 250 5350				150100340000			182.970	
					IS2062Fe410A			2	
05	ISMC 150 5010				150100350000			84.160	
					IS2062Fe410A			2	
04	ISMC 250 5710				150100340000			195.300	
					IS2062Fe410A			2	
03	ISA 75X75X6 2470				150130050000			16.790	
					IS2062Fe410A			4	
02	PLATE 5 2470x5000				150110290000			484.730	
					IS2062Fe410A			2	
01	PLATE 5 2470x5400				150110290000			523.510	
					IS2062Fe410A			2	

CAUTION: The information on this document is the property of BHARAT HEAVY ELECTRICALS LTD. It must not be used directly or indirectly in any way detrimental to the interest of the company.		TYPE OF PRODUCT OR NAME OF CUSTOMER/PROJECT				DRN		NAME		SIGNATURE		DATE	
		Bharat Heavy Electricals Ltd UNIT: HIGH PRESSURE BOILER PLANT TIRUCHIRAPALLI - 620014				355-055		EOL/KUMAR				17-12-09	
								K.P				17-12-09	
		DEPT DU		ALL DIMENSIONS ARE IN MM		PROJECTION		SCALE		WEIGHT (Kg)		REF TO ASSY / OLD DWG	
CODE 124						N.T.S		3347.080					
TITLE										DRAWING NO :		REV	
DUCT										3-48-202-73081			

REV	DATE	ALTERED :
01		CHD & APPD :
ZONE		



NOTE:

- 01. FOR GENERAL NOTES REFER PAGE NO. 41 (REF:41) OF DUCT CONSTRUCTION MANUAL. REF122 FOR CONSTRUCTION DETAIL.
- 02. NTPC, CORNER SS TYPE, FIELD ASSEMBLED DUCT

FLANGE DETAILS

FLANGE NO.	REF	D	X	A	B	W	S	E	F	N
FL1	REF109	5410	728	2	1828	5010	528	2	1828	28

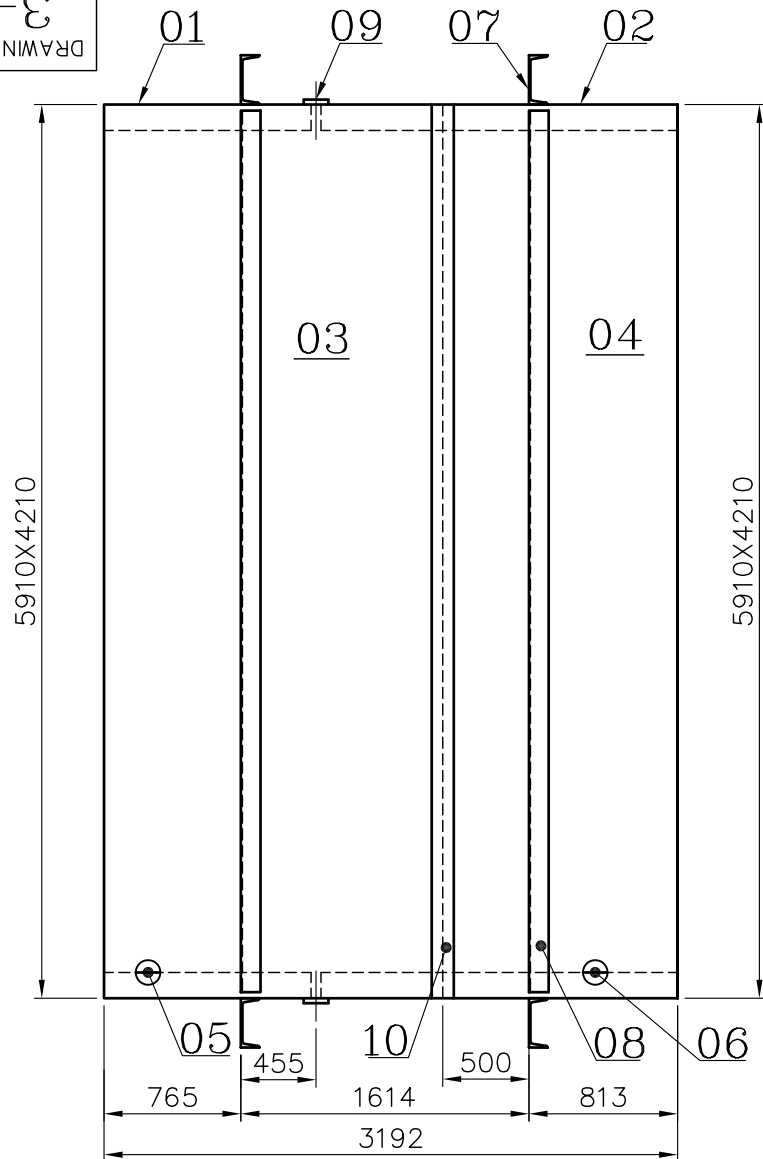
DESPATCH TABLE

SL. NO.	DESCRIPTION	DU NO.	NO. OFF	ITEM NO.			
				NO.OFF			
1	DUCT WALL	146	2	01	03	04	06
				1	2	1	1
2	DUCT WALL	147	2	02	05	07	
				1	1	1	

ITEM NUMBER	DESCRIPTION	STD	DRAWING NUMBER	ITEM NO	MATERIAL CODE	A/C/P	UNIT	UNIT WEIGHT	CS
				VAR NO	MATERIAL SPECN		DI	QUANTITY	
07	ISMC 250 4950				150100340000			169.290	
					IS2062Fe410A			2	
06	ISMC 250 5350				150100340000			182.970	
					IS2062Fe410A			2	
05	ISMC 250 5010				150100340000			171.340	
					IS2062Fe410A			2	
04	ISMC 250 5910				150100340000			202.120	
					IS2062Fe410A			2	
03	ISA 75X75X6 1858				150130050000			12.630	
					IS2062Fe410A			4	
02	PLATE 5 1858x5000				150110290000			364.630	
					IS2062Fe410A			2	
01	PLATE 5 1858x5400				150110290000			393.800	
					IS2062Fe410A			2	

<p>CAUTION: The information on this document is the property of BHARAT HEAVY ELECTRICALS LTD. It must not be used directly or indirectly in any way detrimental to the interest of the company.</p>		TYPE OF PRODUCT OR NAME OF CUSTOMER/PROJECT					
		Bharat Heavy Electricals Ltd UNIT: HIGH PRESSURE BOILER PLANT TIRUCHIRAPALLI - 620014		DRN	NAME	SIGNATURE	DATE
				CHD	K.P		17-12-09
				APPD	P.K.ADHI		17-12-09
DEPT	DU	ALL DIMENSIONS ARE IN MM	PROJECTION	SCALE	WEIGHT (Kg)	REF TO ASSY / OLD DWG	
CODE	124			N.T.S	3018.820		
TITLE DUCT						DRAWING NO : 3-48-202-73082	
						REV	

REV	DATE	ALTERED :
01		CHD & APPD :
ZONE		



DESPATCH TABLE

SL. NO.	DESCRIPTION	DU NO.	NO. OFF	ITEM NO. NO.OFF			
				01	05	07	09
1	DUCT WALL	180	2	01	05	07	09
				1	2	1	1
2	DUCT WALL	181	2	02	06	07	
				1	2	1	
3	DUCT WALL	182	2	03	08		
				1	1		
4	DUCT WALL	183	2	04	08	10	
				1	1	1	

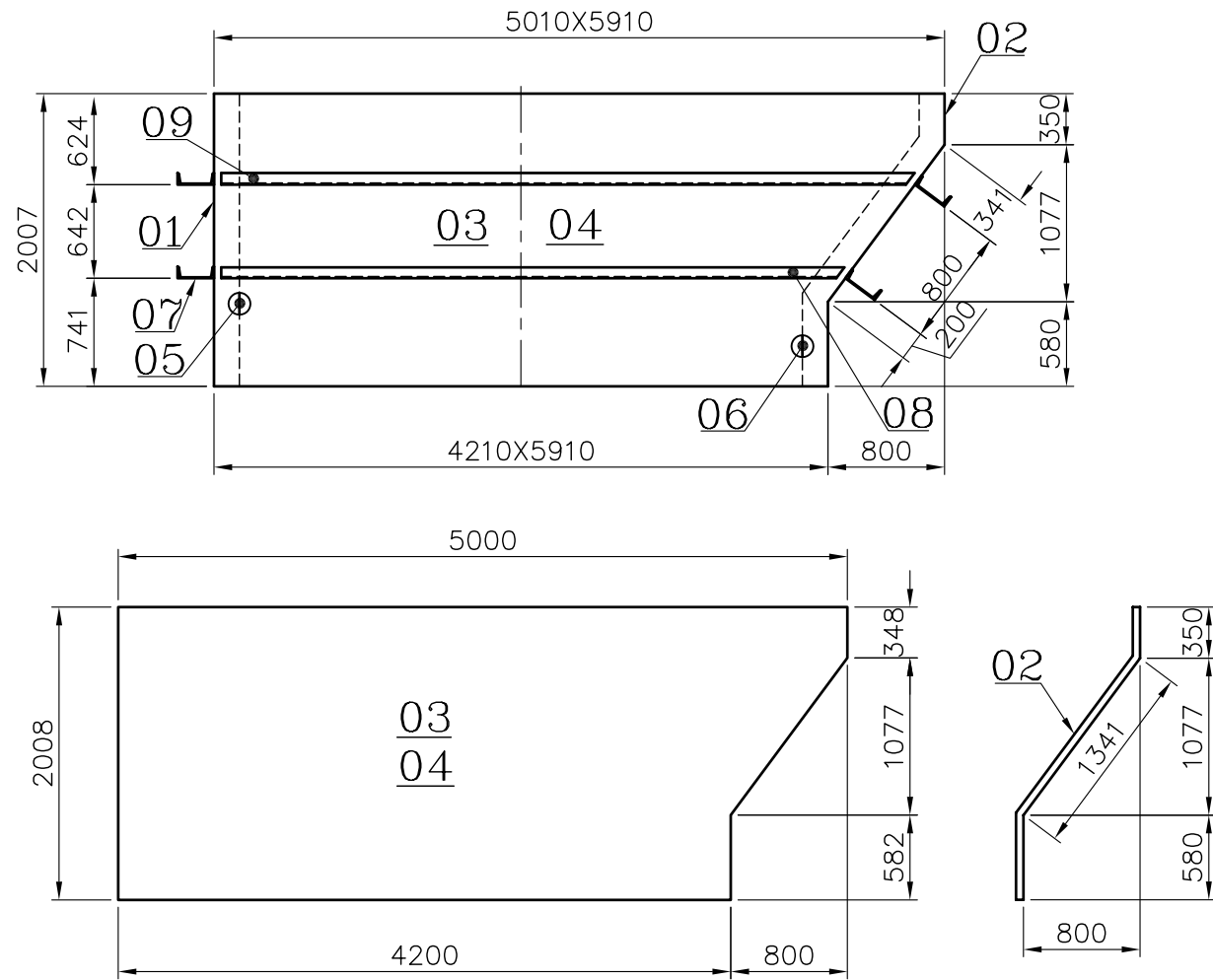
REV	DATE	ALTERED :
01		CHD & APPD :
ZONE		

NOTE:

- 01. FOR GENERAL NOTES REFER PAGE NO. 41 (REF:41) OF DUCT CONSTRUCTION MANUAL. REF122 FOR CONSTRUCTION DETAIL.
- 02. NTPC, CORNER SS TYPE, FIELD ASSEMBLED DUCT

ITEM NUMBER	DESCRIPTION	STD	DRAWING NUMBER	ITEM NO	MATERIAL CODE	A/C/P	UNIT	UNIT WEIGHT	QTY
				VAR NO	MATERIAL SPECN		DI	QUANTITY	
10	PLATE 5 125x5900				150110290000			28.940	
					IS2062Fe410A			2	
09	PLATE 5 125x4200				150110290000			20.600	
					IS2062Fe410A			2	
08	ISMC 250 5850				150100340000			200.070	
					IS2062Fe410A			4	
07	ISMC 200 4150				150100380000			92.540	
					IS2062Fe410A			4	
06	ISA 75X75X6 1970.5				150130050000			13.390	
					IS2062Fe410A			4	
05	ISA 75X75X6 1218.5				150130050000			8.280	
					IS2062Fe410A			4	
04	PLATE 5 5900x1300.5				150110290000			301.160	
					IS2062Fe410A			2	
03	PLATE 5 5900x1866.5				150110290000			432.230	
					IS2062Fe410A			2	
02	PLATE 5 4200x1959.5				150110290000			323.020	
					IS2062Fe410A			2	
01	PLATE 5 4200x1207.5				150110290000			199.050	
					IS2062Fe410A			2	

CAUTION: The information on this document is the property of BHARAT HEAVY ELECTRICALS LTD. It must not be used directly or indirectly in any way detrimental to the interest of the company.	TYPE OF PRODUCT OR NAME OF CUSTOMER/PROJECT				DRN		NAME		SIGNATURE		DATE	
	Bharat Heavy Electricals Ltd UNIT: HIGH PRESSURE BOILER PLANT TIRUCHIRAPALLI - 620014				355-055		EOL/KUMAR				17-12-09	
							K.P				17-12-09	
					APPD		P.K.ADHI				17-12-09	
DEPT DU		ALL DIMENSIONS ARE IN MM		PROJECTION		SCALE		WEIGHT (Kg)		REF TO ASSY / OLD DWG		
CODE 124						N.T.S		3867.120				
TITLE									DRAWING NO :			REV
DUCT									3-48-202-73083			



NOTE:

- 01. FOR GENERAL NOTES REFER PAGE NO. 41 (REF:41) OF DUCT CONSTRUCTION MANUAL. REF122 FOR CONSTRUCTION DETAIL.
- 02. NTPC, CORNER SS TYPE, FIELD ASSEMBLED DUCT

09	ISMC 250 4806			150100340000		164.360		
				IS2062Fe410A		2		
08	ISMC 200 4325			150100380000		96.440		
				IS2062Fe410A		2		
07	ISMC 250 5850			150100340000		200.070		
				IS2062Fe410A		4		
06	ISA 75X75X6 2323			150130050000		15.790		
				IS2062Fe410A		2		
05	ISA 75X75X6 2007			150130050000		13.640		
				IS2062Fe410A		2		
04	PLATE 5 2007x5000			150110290000		358.580		
				IS2062Fe410A		1		
03	PLATE 5 2007x5000			150110290000		358.580		
				IS2062Fe410A		1		
02	PLATE 5 5900x2271			150110290000		525.900		
				IS2062Fe410A		1		
01	PLATE 5 5900x2007			150110290000		464.770		
				IS2062Fe410A		1		
ITEM NUMBER	DESCRIPTION	STD	DRAWING NUMBER	ITEM NO	MATERIAL CODE	A/C/P	UNIT	UNIT WEIGHT
				VAR NO	MATERIAL SPECN	DI		QUANTITY

DESPATCH TABLE

SL. NO.	DESCRIPTION	DU NO.	NO. OFF	ITEM NO.		
				NO.	NO.	NO.
1	TRANSITION WALL	184	1	01	05	07
				1	2	2
2	TRANSITION WALL	185	1	02	06	07
				1	2	2
3	TRANSITION WALL	186	1	03	08	09
				1	1	1
4	TRANSITION WALL	187	1	04	08	09
				1	1	1

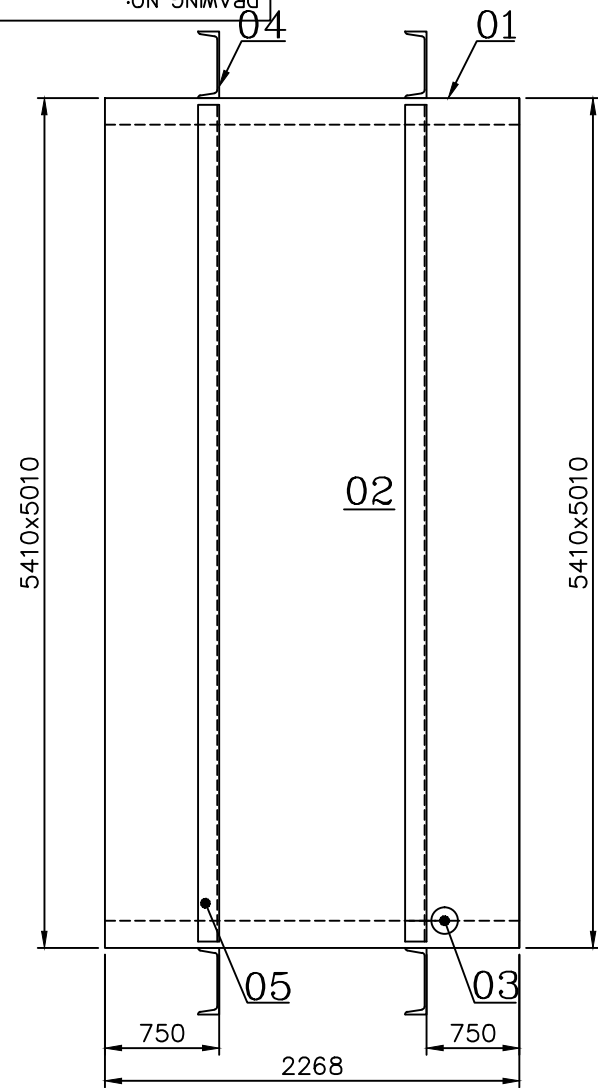
REV	DATE	ALTERED :
01		CHD & APPD :
ZONE		

CAUTION: The information on this document is the property of BHARAT HEAVY ELECTRICALS LTD. It must not be used directly or indirectly in any way detrimental to the interest of the company.

TYPE OF PRODUCT OR NAME OF CUSTOMER/PROJECT						
 355-055	Bharat Heavy Electricals Ltd		DRN	NAME	SIGNATURE	DATE
	UNIT: HIGH PRESSURE BOILER PLANT		CHD	EOL/KUMAR		17-12-09
	TIRUCHIRAPALLI - 620014		APPD	P.K.ADHI		17-12-09
DEPT	DU	ALL DIMENSIONS ARE IN MM	PROJECTION	SCALE	WEIGHT (Kg)	REF TO ASSY / OLD DWG
CODE	124			N.T.S	3115.570	
TITLE						DRAWING NO :
TRANSITION						3-48-202-73084
						REV

3-48-202-78238

DRAWING NO:



NOTE:

- 01. FOR GENERAL NOTES REFER PAGE NO. 41 (REF:41) OF DUCT CONSTRUCTION MANUAL. REF122 FOR CONSTRUCTION DETAIL.
- 02. NTPC, CORNER SS TYPE, FIELD ASSEMBLED DUCT

ITEM NUMBER	DESCRIPTION	STD	DRAWING NUMBER	ITEM NO	MATERIAL CODE	A/C/P	UNIT	UNIT WEIGHT	GS
				VAR NO	MATERIAL SPECN		DI	QUANTITY	
05	ISM 250 5350				150100340000 IS2062Fe410A			182.970 4	
04	ISM 250 4950				150100340000 IS2062Fe410A			169.290 4	
03	ISA 75X75X6 2268				150130050000 IS2062Fe410A			15.422 4	
02	PLATE 5 2268x5400				150110290000 IS2062Fe410A			480.702 2	
01	PLATE 5 2268x5000				150110290000 IS2062Fe410A			445.095 2	

DESPATCH TABLE

SL. NO.	DESCRIPTION	DU NO.	NO. OFF	ITEM NO.		
				NO.	NO.	NO.
1	DUCT WALL	098	2	01	04	
				1	2	
2	DUCT WALL	099	2	02	03	05
				1	2	2

REV	DATE	ALTERED : KULA
01	08-06-12	CHD & APPD : RAMANA
ZONE	IT.02 PLATE WEIGHT REVISED	

CAUTION: The information on this document is the property of BHARAT HEAVY ELECTRICALS LTD. It must not be used directly or indirectly in any way detrimental to the interest of the company.

TYPE OF PRODUCT OR NAME OF CUSTOMER/PROJECT



Bharat Heavy Electricals Ltd
UNIT: HIGH PRESSURE BOILER PLANT
TIRUCHIRAPALLI - 620014

DRN	NAME	SIGNATURE	DATE
	KULA		30-05-12
CHD	RAMANA		30-05-12
APPD	SHAN		30-05-12

DEPT	DU	ALL DIMENSIONS ARE IN MM	PROJECTION	SCALE	WEIGHT (Kg)	REF TO ASSY / OLD DWG
DU	124			N.T.S	3150.962 3322.322	

TITLE: **DUCT** DRAWING NO : 3-48-202-78238 REV 01

