

ALL DIMENSIONS ARE IN MILLIMETRES

- NOTE:
1. SWITCH ENCLOSURE BOX SHALL BE SUITABLE FOR IP 55 DEGREE OF PROTECTION
  2. COLOUR SHALL BE RAL 5012,BLUE FINISH DOUBLE COATING OF OUTER FINISH SHOULD BE GIVEN AFTER REDOXIDE PRIMER TREATMENT
  3. GENERAL ENGINEERING TOLERANCES APPLY UNLESS SPECIFIED
  4. #44&45 TO BE SUPPLIED LOOSE

VAR. NO.	ITEM NO.	DESCRIPTION	IS	DRAWING NO.	VAR. NO.	ITEM NO.	DESCRIPTION	IS	DRAWING NO.	UNIT	QTY	NO.
	45.	LOCK PL. 5x25x55	IS 2062							0.063	2	
	44.	FASTENING PLATE	IS 1079 633-34							2.8	2	
	42.	SH 35X16X394	IS 1079 633-ST 34							0.97	4	
	41.	GASKET 15MM THICK	NCPRENE							0.005	2	
	40.	NUT M8	IS 1363-B-4							0.24	4	
	39.	BOLT M8X40	IS 1875 CL VI							0.21	4	
	38.	BLANKING PLATE 315X65X650	NATURAL COLOUR							0.50	1	
	37.	PVC SLEEVE FDR CHAIN SX10	IS 1855 M.S							0.002	1	
	36.	SNAP HEAD RIVET SX10	IS 1363-B-4							0.017	8	
	35.	NUT M12	IS 1363-B-4							0.10	2	
	34.	LINK CHAIN WIRE # 2 L=50								0.10	1	
	33.	PIN #6-40								0.10	1	
	32.	PL. 250X300X10	IS 2062							1.350	2	
	31.	HINGE								3.930	1	
	30.	HANDLE ROUND #12-240	IS 1875 CL.VI							0.21	1	
	29.	GASKET 15X15	NCPRENE							0.00	2	
	28.	ECCENTRIC LOCK								0.01	1	
	27.	HOOK PL.5X25X39	IS 2062							0.023	4	
	25.	BOLT RDM#2X35	IS 1875 CL.VI							0.10	2	
	24.	SH 315X35X1078	IS 1079-ST34							0.550	2	
	23.	SH 315X35X690	IS 1079-ST34							0.50	2	
	22.	DOOR SH 315X77X1195	IS 518							8.630	1	
	21.	WARNING SIGN								0.170	1	
	20.	HINGE L100								0.100	2	
	19.	L 50 50X6 L=100	IS 2062							0.450	1	
	18.	ROUND # 16 L=25	IS 2062							0.40	1	
	17.	PLATE 6X40X1045	IS 2062							5.91	1	
	16.	PLATE 6X40X1065	IS 2062							1.820	1	
	15.	PLATE 6X40X677	IS 2062							1.070	1	
	14.	WIRE MESH 619X1032 THREHAD #25X20X20	IS 2062							4.550	2	
	13.	PL.6X40X1042	IS 2062							1.870	1	
	12.	PL.6X40X629	IS 2062							0.960	1	
	11.	TUBE #21.6X2-45	IS 1239							0.300	2	
	10.	LSOX50X6, 600 LDNG	IS 2062							2.700	2	
	09.	FLANGE PL.6X25X630	IS 2062							0.740	1	
	08.	FLANGE PL.6X#580	IS 2062							3.200	1	
	07.	SH-315X170X594	IS 1079-ST34							0.570	1	
	06.	SH-315X66X1561	IS 1079 st 34							2.550	1	
	05.	SH-315X718X1096	IS 518							1.570	1	
	04.	SH-315X717X1096	IS 518							1.3920	1	
	03.	SH-315X717X1096	IS 518							1.3920	1	
	02.	SH-315X609X747	IS 518							1.1550	1	
	01.	SH-315X609X747	IS 518							6.400	1	

CAUTION: The information on this document is the property of BHARAT HEAVY ELECTRICALS LTD. It must not be used directly or indirectly in any way detrimental to the interest of the company.

TYPE OF PRODUCT OR NAME OF CUSTOMER/PROJECT: **DISCONNECTING SWITCH BOX**

DATE: 29-08-18

BY: HRIVANDEVI.C

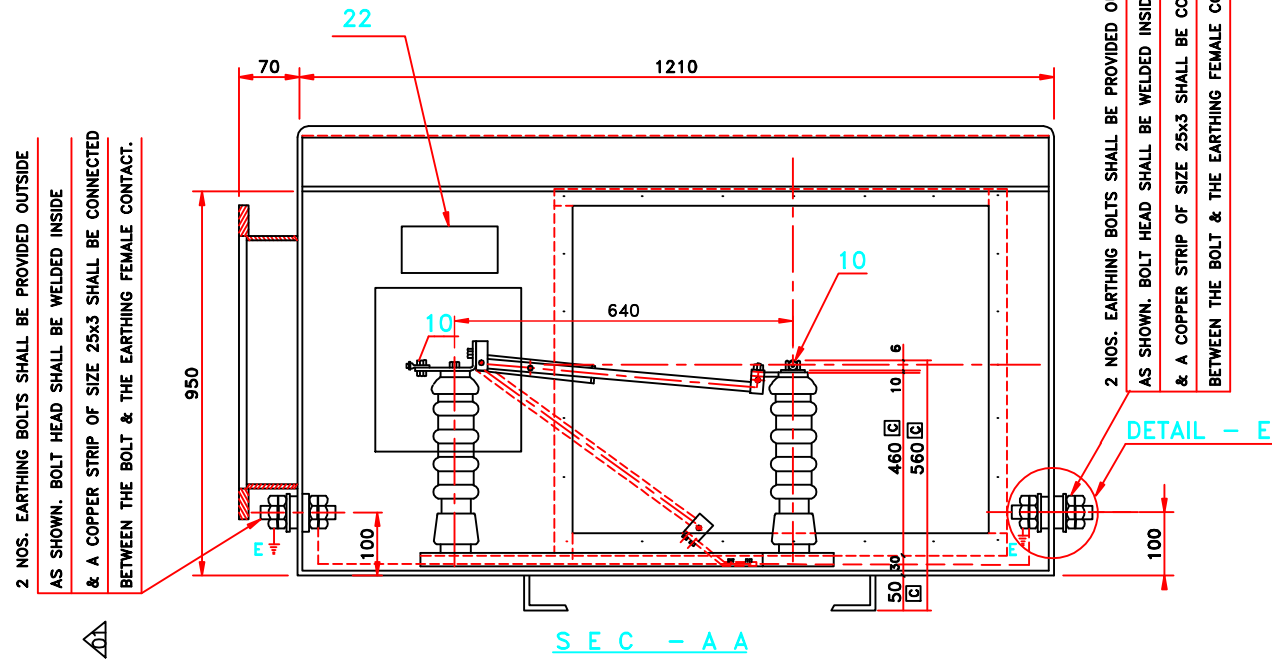
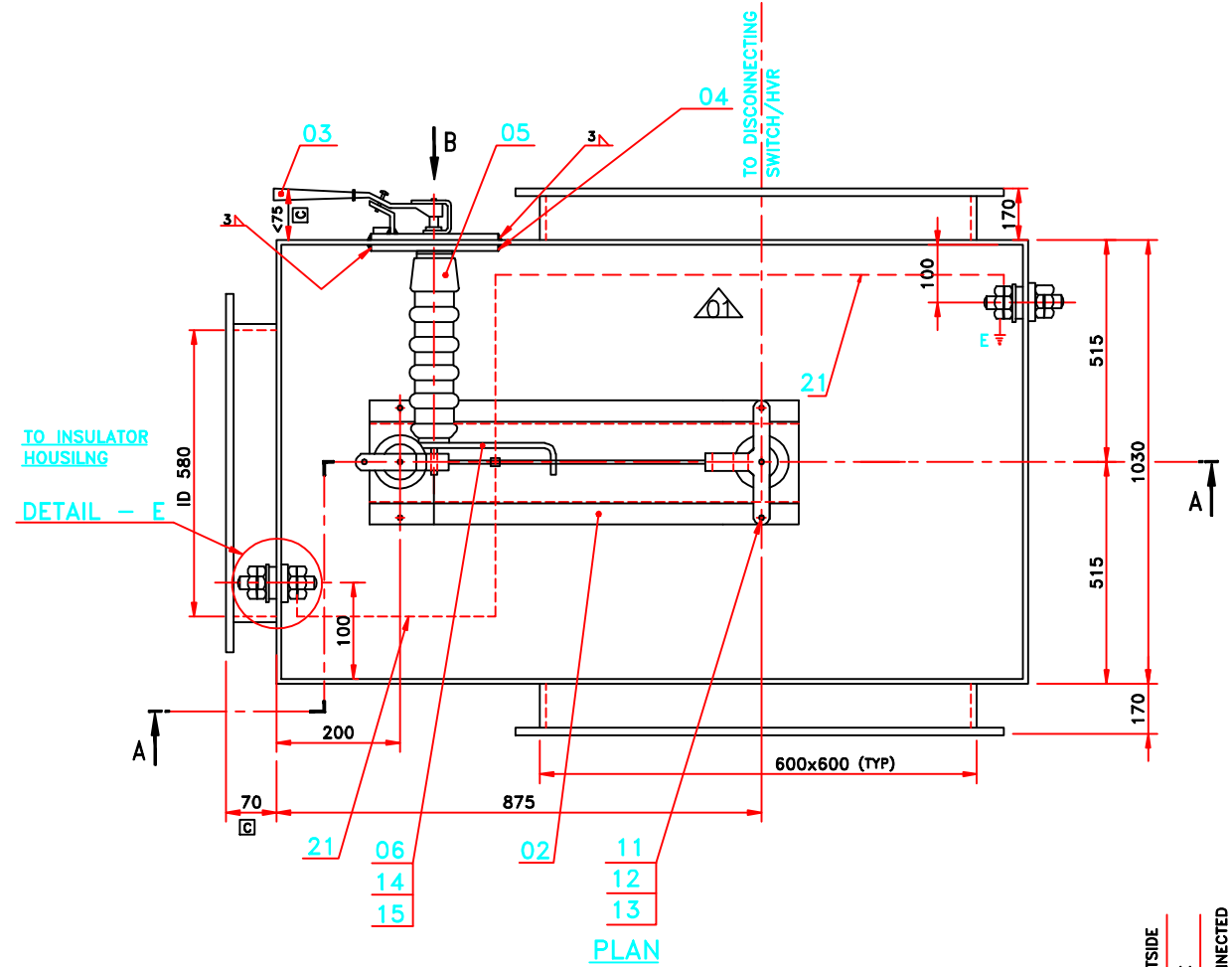
CHKD: KYATI

APPRD: P. P. BHARATHEM

REF. TO ASSY/DWG. NO. MS-21011

FIRST ANGLE PROJECTION

ALL DIMENSIONS ARE IN mm



2 NOS. EARTHING BOLTS SHALL BE PROVIDED OUTSIDE AS SHOWN. BOLT HEAD SHALL BE WELDED INSIDE & A COPPER STRIP OF SIZE 25x3 SHALL BE CONNECTED BETWEEN THE BOLT & THE EARTHING FEMALE CONTACT.

2 NOS. EARTHING BOLTS SHALL BE PROVIDED OUTSIDE AS SHOWN. BOLT HEAD SHALL BE WELDED INSIDE & A COPPER STRIP OF SIZE 25x3 SHALL BE CONNECTED BETWEEN THE BOLT & THE EARTHING FEMALE CONTACT.

ITEM No.	DESCRIPTION	DRAWING No.	MATL.CODE	MATL.SPECIFICATION	QTY.	GROSS UNIT WT.IN KGS. (APPROX.)
----------	-------------	-------------	-----------	--------------------	------	---------------------------------

BILL OF MATERIAL

	<b>BHARAT HEAVY ELECTRICALS LTD.,</b> ELECTROPORCELAINS DIVISION BANGALORE - 560 012			NAME	SIGN	DATE
	PRPD	HIREMATH.V.C				29-03-13
	CHD	Y.RAVI				29-03-13
	APPD	C.N.PURUSHOTHAM				29-03-13

DEPT		SCALE	WEIGHT (kg)	REF TO ASSY.DRG	ITEM No.	No.OF ITEMS
CODE		NTS	(Approx)			

TITLE	DRAWING No.	REV.
<b>DISCONNECTING SWITCH 95 kV</b>	<b>MN-21038</b>	

SHEET No.	No.OF SHEETS

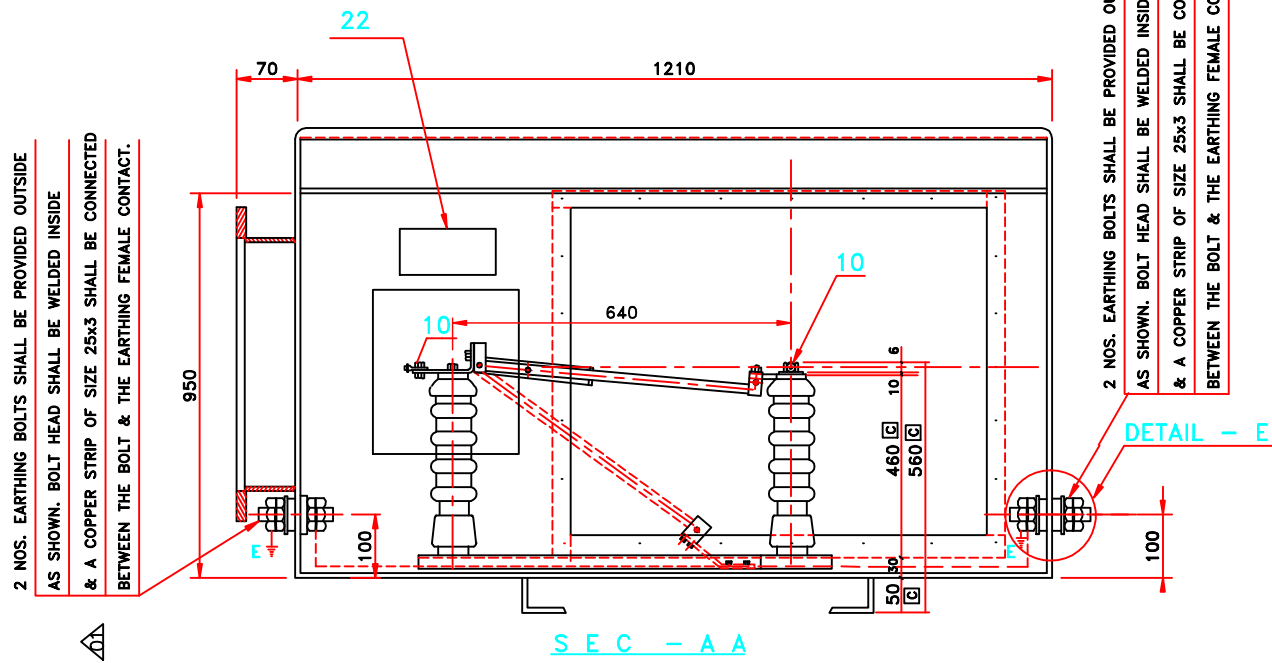
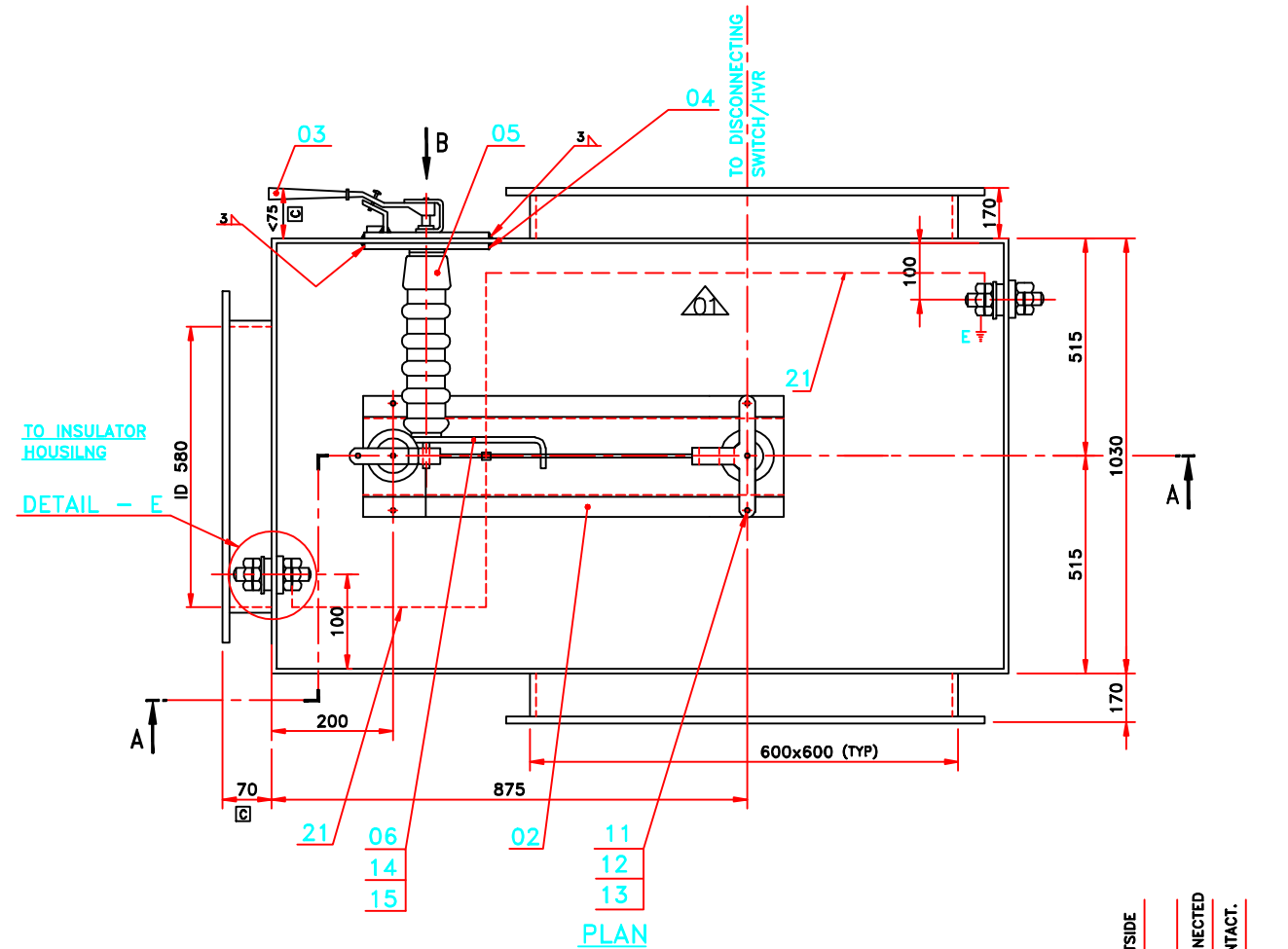
SUPERSEDES DRG.No.	FOLIO No.	SHT.SIZE A3-420x297
--------------------	-----------	---------------------

THE INFORMATION ON THIS DOCUMENT IS THE PROPERTY OF BHARAT HEAVY ELECTRICALS LIMITED. IT MUST NOT BE USED DIRECTLY OR INDIRECTLY IN ANY WAY DETRIMENTAL TO THE INTEREST OF THE COMPANY

FIRST ANGLE PROJECTION

ALL DIMENSIONS ARE IN mm

THE INFORMATION ON THIS DOCUMENT IS THE PROPERTY OF BHARAT HEAVY ELECTRICALS LIMITED. IT MUST NOT BE USED DIRECTLY OR INDIRECTLY IN ANY WAY DETRIMENTAL TO THE INTEREST OF THE COMPANY



ITEM No.	DESCRIPTION	DRAWING No.	MATL.CODE	MATL.SPECIFICATION	QTY.	GROSS UNIT WT.IN KGS. (APPROX.)
----------	-------------	-------------	-----------	--------------------	------	---------------------------------

**BILL OF MATERIAL**

	<b>BHARAT HEAVY ELECTRICALS LTD.,</b> ELECTROPORCELAINS DIVISION BANGALORE - 560 012			NAME	SIGN	DATE
	PRPD	HIREMATH.V.C				29-03-13
	CHD	Y.RAVI				29-03-13
	APPD	C.N.PURUSHOTHAM				29-03-13

DEPT		SCALE	WEIGHT (kg)	REF TO ASSY.DRG	ITEM No.	No.OF ITEMS
CODE		NTS	(Approx)			

TITLE	DRAWING No.	REV.
<b>DISCONNECTING SWITCH 95kV</b>	<b>MN-21037</b>	

SHEET No.	No.OF SHEETS
	SHT.SIZE A3-420x297

SUPERSEDES DRG.No.

FOLIO No.