



MATERIALS MANAGEMENT / RM
CAPITAL PURCHASE/CP & SP
BHEL TRICHY -620014

Enquiry Corrigendum-3

NIT_28460

Enquiry No. 2681600016 dated 12.07.2016

Extended Due date for submission of quotation: 23.08.2016

Item Description: "Retrofitting of VA 50 CNC M/c"

Details of Corrigendum:

- * 1. The due date of the tender is extended to 23.08.2016. Kindly arrange to send your offer before the due date.
- 2. Two drawings (No: 3M14A0312537 & 3M14A0314776) uploaded as additional documents to this tender.

The offer should reach us before the time (14:00) of tender opening.

In case the offer has been sent already, the same need not be sent again.

All other terms & conditions as published in the above NIT No. remain unaltered.

NOTE:

Confirmation of acceptance for BHEL Commercial terms & conditions & Price Bids formats have been posted in BHEL corporate website www.bhel.com or from the government tender website <http://tenders.gov.in> (public sector → Bharat Heavy Electricals Limited page) under **NIT No_28460**.

FOR BHEL TRICHY:

Sr. Mgr/CP & SP

R.I. PETER IRUDAYARAJ

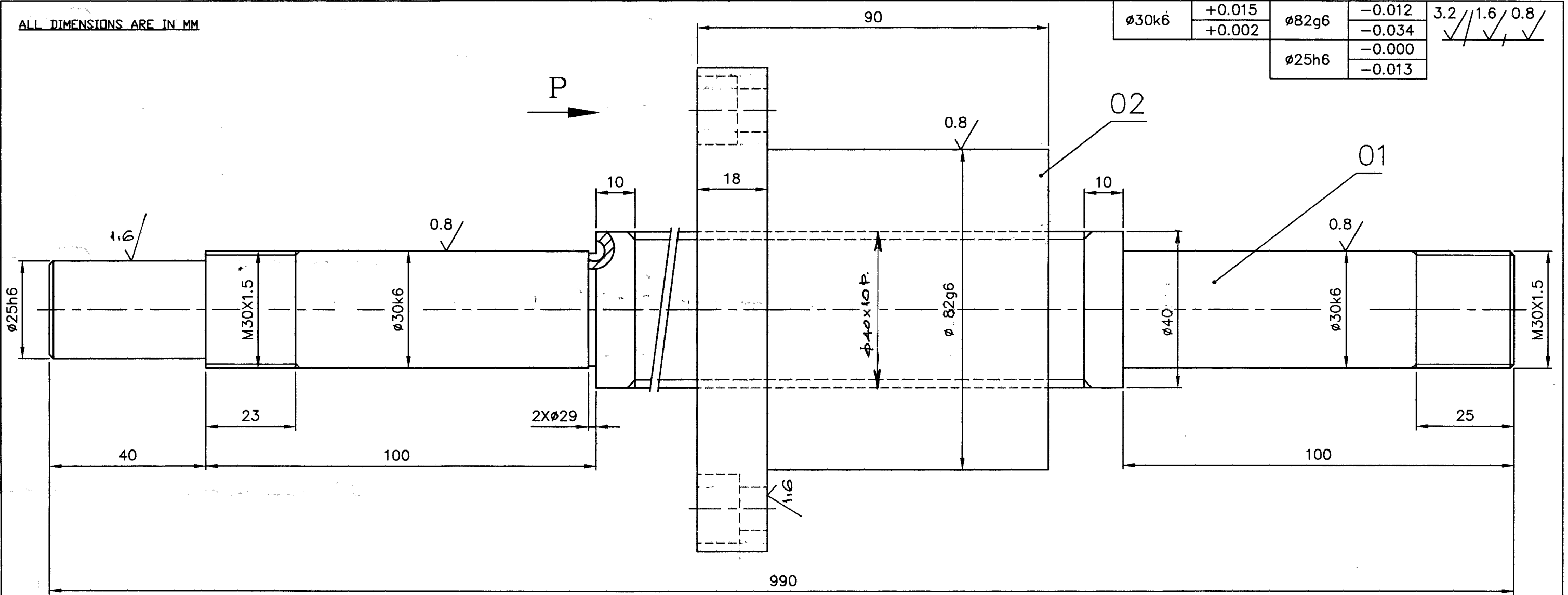
Senior Manager

Materials Management /
BHEL, TIRUCHY - 620 014.

CAUTION: THIS DRAWING IS OUR SOLE PROPERTY AND SHOULD NOT BE USED IN ANY FORM FOR ANY PURPOSE WITHOUT OUR WRITTEN PERMISSION OF BHARAT HEAVY ELECTRICALS LIMITED TRICHIRAPPALLI - 620 014.

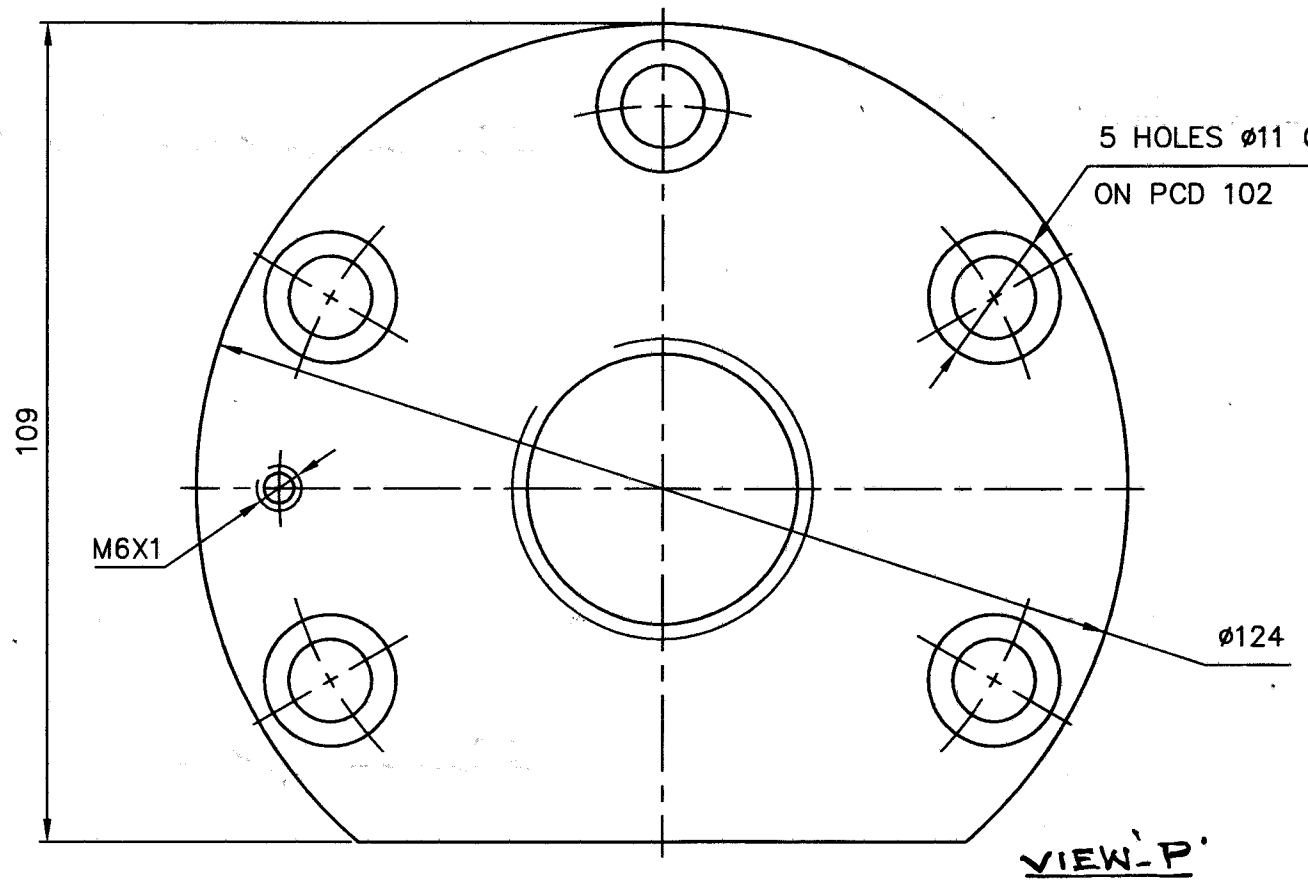
ALL DIMENSIONS ARE IN MM

ø30k6	+0.015	ø82g6	-0.012	3.2 // 1.6 // 0.8
	+0.002		-0.034	
ø25h6		-0.000		
		-0.013		



BALL SCREW DESIGNATION: -
 BALL SCREW ISO-3408-XXX-XXX-01330-POIR
 NOMINAL DIA LEAD-AS PER DRAWING STD
 ACCURACY GRADE: 01

SCANNED
 FOR TENDERING PURPOSE ONLY



01	BALL SCREW NUT ø40X10P-90L		IS: 4872				02
01	BALL SCREW ROD ø40X10P-990L		IS: 4872				01
No. of Pieces	DESCRIPTION	MATERIAL	STANDARD	NET.WT.IN KGS.	DRAWING No.	ITEM No.	
	REFERENCE		ALTERATIONS	DCN REF	DATE	SIGN.	INDEX
SCALE	DRAWN	<i>R. Narayanan</i>					
	CHECKED	<i>R. Ramaswamy</i>					
1:1	APPROVED	<i>[Signature]</i>					
	DATE	10.01.05					
MACHINE: VERTICAL MACHINING CENTRE				TYPE: PAL-VA-50			
TITLE: BALL SCREW WITH NUT ASSY. (Z AXIS/VERTICAL) ø40x10P.				DRAWING No:		REV.	
				3M14A0312537			
				Sheet No:		No. of Sheets:	