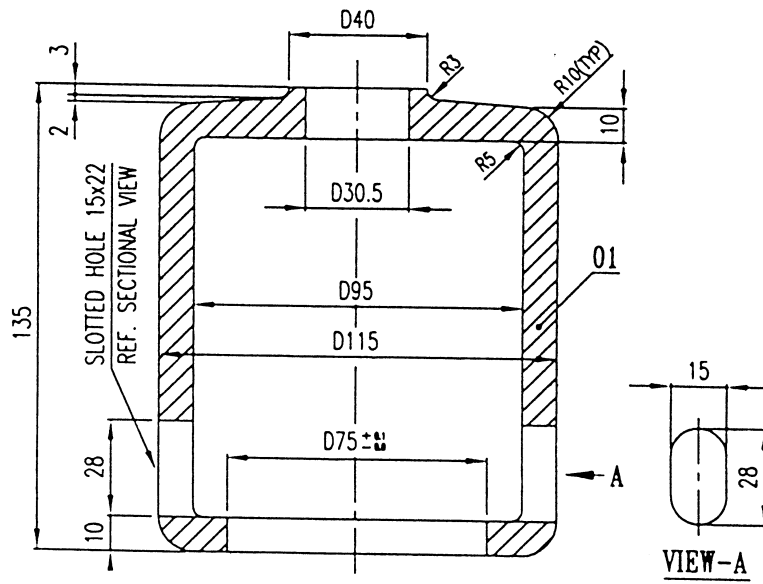
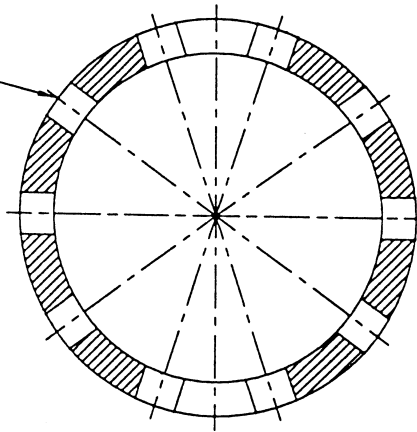


CAUTION : The information on this document is the property of BHARAT HEAVY ELECTRICALS. It must not be used directly or indirectly in any way detrimental to the interest of the company.

CEP140046


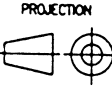


10 SLOTTED HOLES 15x28
10x36°=360°



SECTIONAL VIEW
FOR SLOTTED HOLES

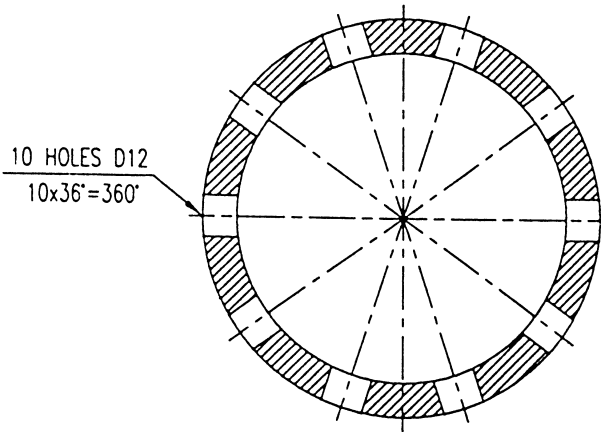
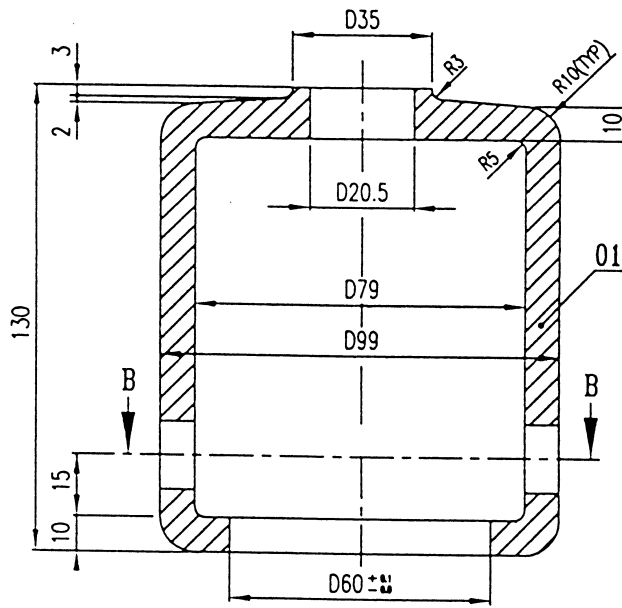
VARIANT NUMBER	DESCRIPTION	STD	1.4837 (DIN)	A/C/P	UNIT	UNIT WEIGHT
			MATERIAL CODE			QUANTITY
			MATERIAL SPECN			

		Bharat Heavy Electricals Ltd UNIT: HIGH PRESSURE BOILER PLANT TIRUCHIRAPALLI - 620014		DRN G.VENKATESAN	SIGNATURE	DATE
DEPT FBC & HRSG CODE 1322	ALL DIMENSIONS ARE IN MM	PROJECTION 	SCALE N.T.S	WEIGHT (Kg)	REF TO ASSY / OLD DWG	
TITLE AIR NOZZLE CAP				DRAWING NO : 4-06-615-80132		
				REV		

A4 SIZE

CBA214646

CAUTION : The inform on this document is the property of BHARAT HEAVY ELECTRICAL. It must not be used directly or indirectly in any way detrimental to the interest of the company.



SECTION-BB

VARIANT NUMBER	DESCRIPTION	STD	1.4837 (DIN)	A/C/P	UNIT	UNIT WEIGHT
			MATERIAL CODE			QUANTITY
			MATERIAL SPECN			



Bharat Heavy Electricals Ltd

UNIT: HIGH PRESSURE BOILER PLANT

TIRUCHIRAPALLI - 620014

361-321

DRN	G.VENKATESAN	SIGNATURE	DATE
CHD	S.BALAMURUGAN		
APPD	S.PRABHAKAR		

DEPT FBC & HRSG CODE 1322	ALL DIMENSIONS ARE IN MM	PROJECTION 	SCALE N.T.S	WEIGHT (Kg)	REF TO ASSY / OLD DWG
TITLE AIR NOZZLE CAP					DRAWING NO : 4-06-615-80133
					REV



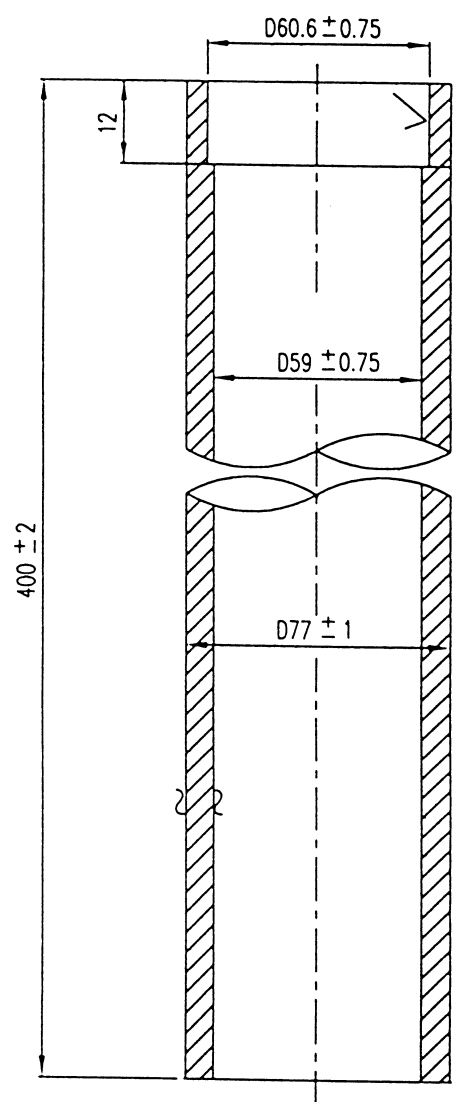
CBA214646

A4 SIZE

CAUTION : The information on this document is the property of BHARAT HEAVY ELECTRICALS LTD. It must not be used directly or indirectly in any way detrimental to the interest of the company.


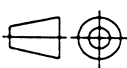
CEF140046

REV	DATE	ALTERED	REV	DATE	ALTERED
		CHD & APPD			CHD & APPD



~ / ✓ /

VARIANT NUMBER	DESCRIPTION	STD	1.4825 (DIN)	A/C/P	UNIT	UNIT WEIGHT	QUANTITY

		Bharat Heavy Electricals Ltd UNIT: HIGH PRESSURE BOILER PLANT TIRUCHIRAPALLI - 620014		DRN	G.VENKATESAN	SIGNATURE	DATE
DEPT	FBC&HRSG	ALL DIMENSIONS ARE IN MM	PROJECTION	SCALE	WEIGHT (Kg)	REF TO ASSY / OLD DWG	
CODE	1322		N.T.S				
TITLE				DRAWING NO :		REV	
AIR NOZZLE PIPE (COMBUSTOR)				4-06-615-80141			



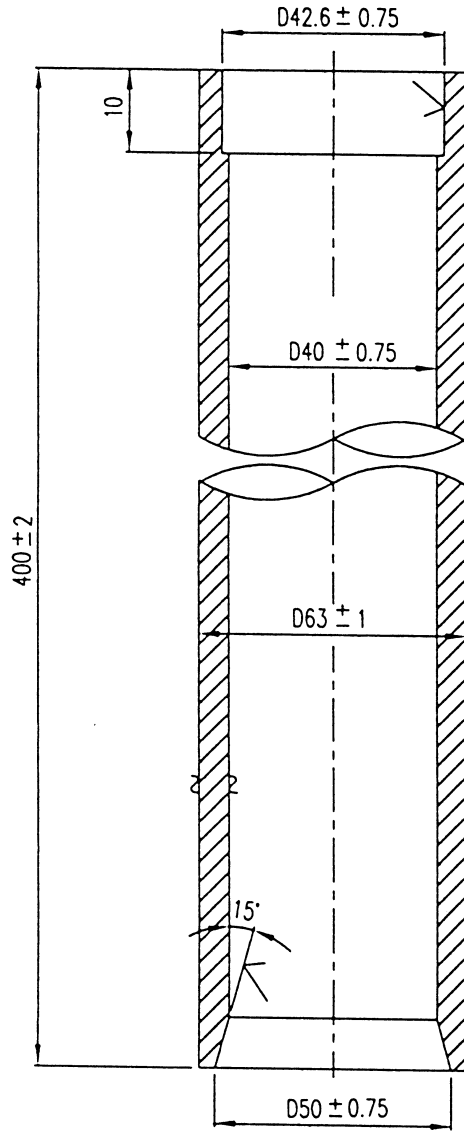
CBA214646

A4 SIZE

CAUTION : The information on this document is the property of BHARAT HEAVY ELECTRICALS LTD. It must not be used directly or indirectly in any way detrimental to the interest of the company.

CEF140046

REV	DATE	ALTERED	REV	DATE	ALTERED
		CHD & APPD			CHD & APPD



~ / ✓ /

VARIANT NUMBER	DESCRIPTION	STD	1.4825 (DIN)	A/C/P	UNIT	UNIT WEIGHT	QUANTITY
----------------	-------------	-----	--------------	-------	------	-------------	----------

		Bharat Heavy Electricals Ltd UNIT: HIGH PRESSURE BOILER PLANT TIRUCHIRAPALLI - 620014		DRN G.VENKATESAN	NAME G.VENKATESAN	SIGNATURE	DATE
DEPT FBC&HRSG CODE 1322	ALL DIMENSIONS ARE IN MM	PROJECTION 	SCALE N.T.S	WEIGHT (Kg)	REF TO ASSY / OLD DWG		
TITLE AIR NOZZLE PIPE				DRAWING NO : 4-06-615-80142		REV	



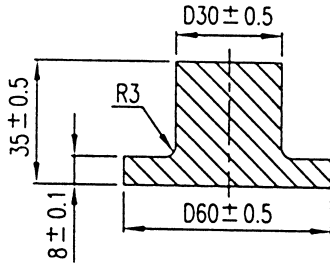
CBA214646

A4 SIZE



CAUTION : The information on this document is the property of BHARAT HEAVY ELECTRIC LTD. It must not be used directly or indirectly in any way detrimental to the interest of the company.

CEF140046

REV	DATE	ALTERED
		CHD & APPD
DIMENSIONS CORRECTED AS PER VENDOR REQUEST		



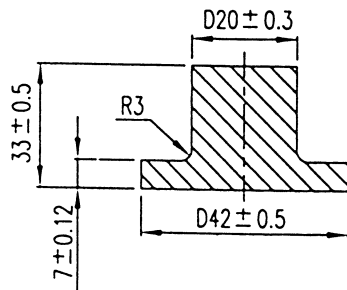
VARIANT NUMBER	DESCRIPTION	STD	1.4828 (DIN)		UNIT WEIGHT
			MATERIAL CODE	A/C/P	
			MATERIAL SPECN	UNIT	QUANTITY

 Bharat Heavy Electricals Ltd UNIT: HIGH PRESSURE BOILER PLANT TIRUCHIRAPALLI - 620014 361-321	DRN	G.VENKATESAN	SIGNATURE	DATE	
	CHD	N.DURAIRAJU			
	APPD	S.PRABHAKAR			
DEPT FBC&HRSG CODE 1322	ALL DIMENSIONS ARE IN MM	PROJECTION 	SCALE N.T.S	WEIGHT (Kg)	REF TO ASSY / OLD DWG
TITLE AIR NOZZLE PLUG (COMBUSTOR)			DRAWING NO : 4-06-615-80136		REV 01


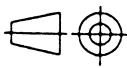
CAUTION : The information on this document is the property of BHARAT HEAVY ELECTRICALS LTD. It must not be used directly or indirectly in any way detrimental to the interest of the company.

CEP140046

REV	DATE	ALTERED
		CHD & APPD
DIMENSIONS CORRECTED AS PER VENDOR REQUEST		



VARIANT NUMBER	DESCRIPTION	STD	1.4828 (DIN)	A/C/P	UNIT	UNIT WEIGHT
			MATERIAL CODE			QUANTITY
			MATERIAL SPECN			

		Bharat Heavy Electricals Ltd UNIT: HIGH PRESSURE BOILER PLANT TIRUCHIRAPALLI - 620014		DRN G.VENKATESAN	NAME G.VENKATESAN	SIGNATURE	DATE
DEPT FBC&HRSG CODE 1322	ALL DIMENSIONS ARE IN MM	PROJECTION 	SCALE N.T.S	WEIGHT (Kg)	REF TO ASSY / OLD DWG		
TITLE AIR NOZZLE PLUG				DRAWING NO : 4-06-615-80137		REV 01	

CBA214646

A4 SIZE