

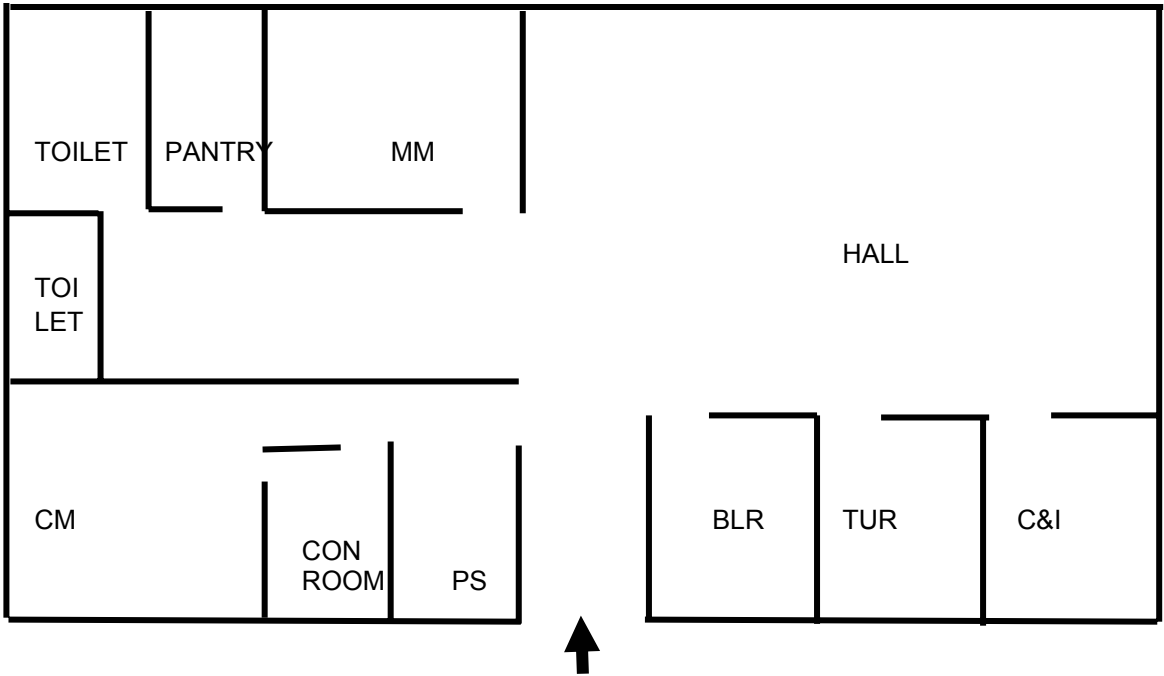
NOTES

1. ALL DIMENSIONS ARE IN MM UNLESS NOTED OTHERWISE.
2. ALL STEEL JOINTS SHALL BE WELDED JOINTS.
3. STEEL DOOR WILL BE OF SINGLE LEAF.
4. FLOOR WILL BE FINISHED AS PER SPECIFICATIONS.
5. FOR STRUCTURAL AND OTHER DETAIL TECHNICAL SPECIFICATION IS TO BE REFERED.

SL.NO.	NO.OFF	MARK	DESCRIPTION
1	1	D	STEEL DOOR (800 X 1981)
2	4	W	WINDOW (810 X 585)
3	1	E	EXHAUST FAN (300 MM DIA)
4	4	F	WALL MOUNTED FAN (400 MM DIA)
5	3 SET	F.L.	FLUROCENT LIGHT (1X2)
6	1	A/C	PROVISION FOR 1.5 T A/C (WINDOW TYPE)
7	1	L	DOOR WAY LAMP

BHARAT HEAVY ELECTRICALS LIMITED
DESCRIPTION : OFFICE BUNK HOUSE
DRG. NO. PSNR/BUNK HOUSE / 0002

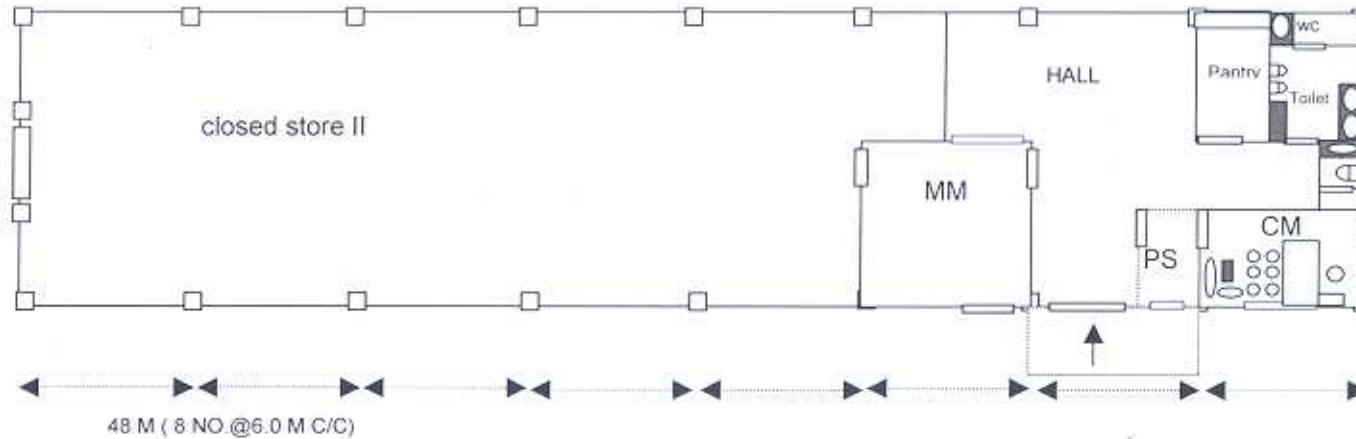
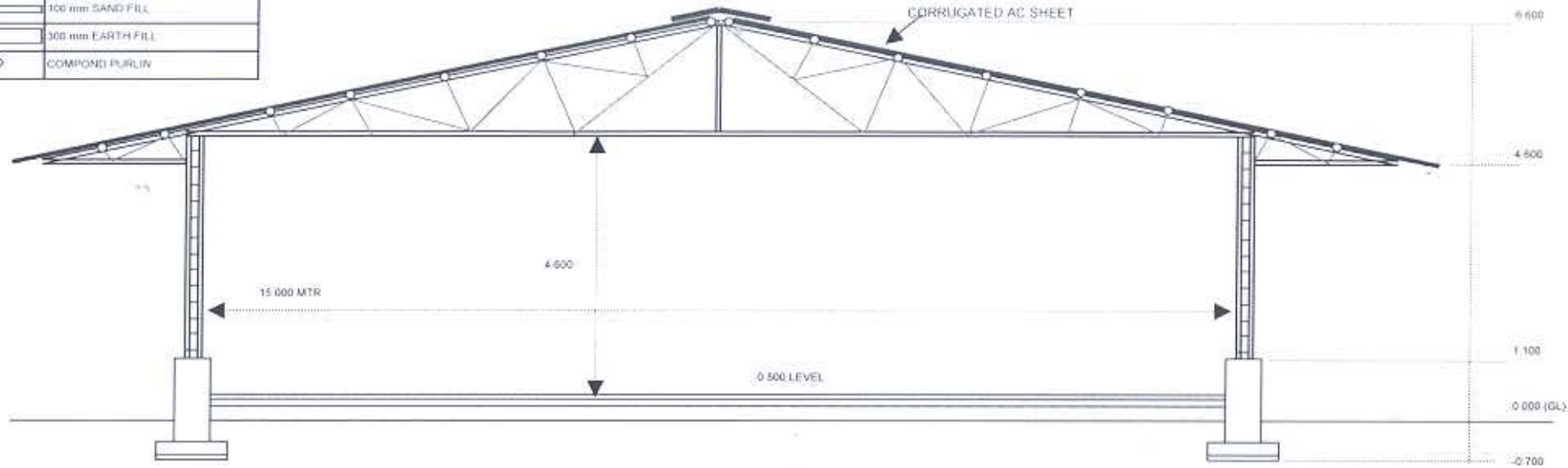
OPR



BHEL SITE OFFICE LAYOUT, GNDTP, BATHINDA (App. 15 M x 10 M Size)

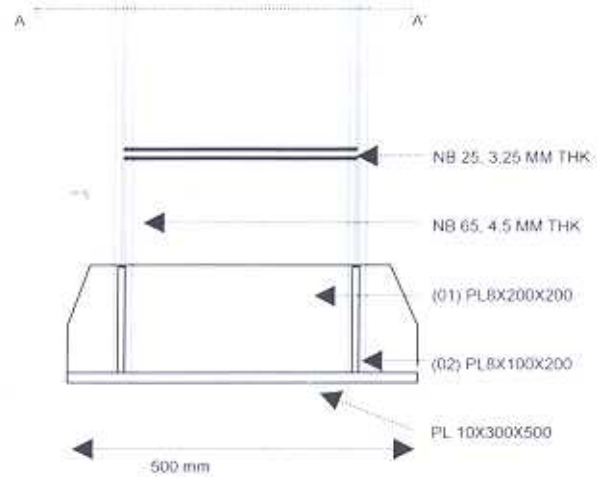
LEGEND

	80 mm PCC
	100 mm SAND FILL
	300 mm EARTH FILL
	COMPOSITE PURLIN

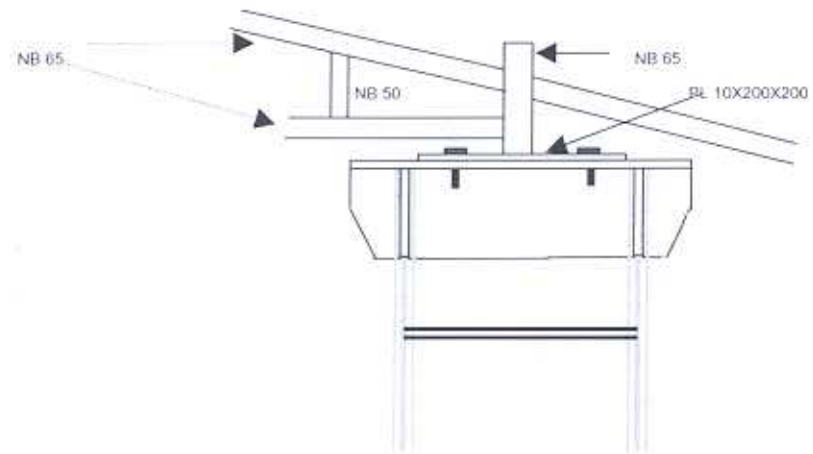
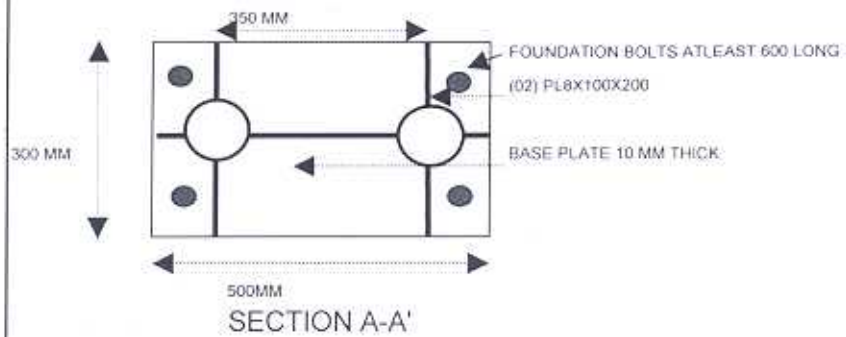


Power Sector - Northern Region
Bharat Heavy Electricals Ltd.

PROJECT: STORES AT 9 X 90 MW BARRI STPS			TITLE: DET SHD II PLAN		REV	DATE
DRG. NO.: BAAR/SITE/005			Made by	KSB	00	MAR 07
Rev	00	Checked by				
			Approved by			



BASE PLATE/COLUMN DETAIL




Power Sector - Northern Region
Bharat Heavy Electricals Ltd.

PROJECT:			TITLE: STRUCTURAL STEEL	REV	DATE
DRG. NO.: BAAR/SITE/003			Made by	KSB	00
Rev	00		Checked by		
			Approved by		

