

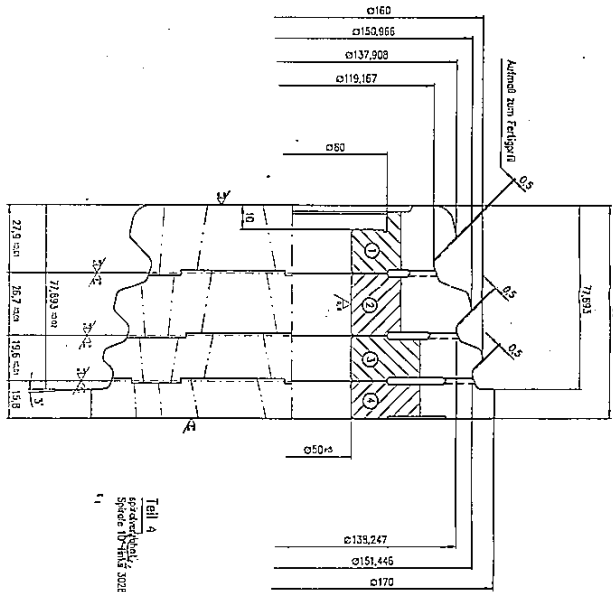
3 teeth
ground
right hand cut
constant 30° right hand helix angle

Cut III

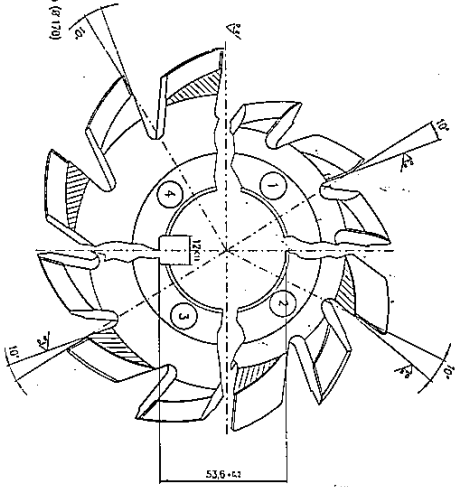
Item No.		Material	Quantity	Unit	Remarks																																												
		HSS/E																																															
		Identific. Material			Bench.																																												
		DRCL Hardwar																																															
<table border="1"> <thead> <tr> <th>Spec. No.</th> <th>Spec. Description</th> <th>Spec. Value</th> <th>Unit</th> </tr> </thead> <tbody> <tr> <td>1</td> <td>Mod. 101</td> <td>1.0</td> <td>mm</td> </tr> <tr> <td>2</td> <td>Mod. 102</td> <td>1.0</td> <td>mm</td> </tr> <tr> <td>3</td> <td>Mod. 103</td> <td>1.0</td> <td>mm</td> </tr> <tr> <td>4</td> <td>Mod. 104</td> <td>1.0</td> <td>mm</td> </tr> <tr> <td>5</td> <td>Mod. 105</td> <td>1.0</td> <td>mm</td> </tr> <tr> <td>6</td> <td>Mod. 106</td> <td>1.0</td> <td>mm</td> </tr> <tr> <td>7</td> <td>Mod. 107</td> <td>1.0</td> <td>mm</td> </tr> <tr> <td>8</td> <td>Mod. 108</td> <td>1.0</td> <td>mm</td> </tr> <tr> <td>9</td> <td>Mod. 109</td> <td>1.0</td> <td>mm</td> </tr> <tr> <td>10</td> <td>Mod. 110</td> <td>1.0</td> <td>mm</td> </tr> </tbody> </table>						Spec. No.	Spec. Description	Spec. Value	Unit	1	Mod. 101	1.0	mm	2	Mod. 102	1.0	mm	3	Mod. 103	1.0	mm	4	Mod. 104	1.0	mm	5	Mod. 105	1.0	mm	6	Mod. 106	1.0	mm	7	Mod. 107	1.0	mm	8	Mod. 108	1.0	mm	9	Mod. 109	1.0	mm	10	Mod. 110	1.0	mm
Spec. No.	Spec. Description	Spec. Value	Unit																																														
1	Mod. 101	1.0	mm																																														
2	Mod. 102	1.0	mm																																														
3	Mod. 103	1.0	mm																																														
4	Mod. 104	1.0	mm																																														
5	Mod. 105	1.0	mm																																														
6	Mod. 106	1.0	mm																																														
7	Mod. 107	1.0	mm																																														
8	Mod. 108	1.0	mm																																														
9	Mod. 109	1.0	mm																																														
10	Mod. 110	1.0	mm																																														
<table border="1"> <thead> <tr> <th>Spec. No.</th> <th>Spec. Description</th> <th>Spec. Value</th> <th>Unit</th> </tr> </thead> <tbody> <tr> <td>11</td> <td>Mod. 111</td> <td>1.0</td> <td>mm</td> </tr> <tr> <td>12</td> <td>Mod. 112</td> <td>1.0</td> <td>mm</td> </tr> <tr> <td>13</td> <td>Mod. 113</td> <td>1.0</td> <td>mm</td> </tr> <tr> <td>14</td> <td>Mod. 114</td> <td>1.0</td> <td>mm</td> </tr> <tr> <td>15</td> <td>Mod. 115</td> <td>1.0</td> <td>mm</td> </tr> <tr> <td>16</td> <td>Mod. 116</td> <td>1.0</td> <td>mm</td> </tr> <tr> <td>17</td> <td>Mod. 117</td> <td>1.0</td> <td>mm</td> </tr> <tr> <td>18</td> <td>Mod. 118</td> <td>1.0</td> <td>mm</td> </tr> <tr> <td>19</td> <td>Mod. 119</td> <td>1.0</td> <td>mm</td> </tr> <tr> <td>20</td> <td>Mod. 120</td> <td>1.0</td> <td>mm</td> </tr> </tbody> </table>						Spec. No.	Spec. Description	Spec. Value	Unit	11	Mod. 111	1.0	mm	12	Mod. 112	1.0	mm	13	Mod. 113	1.0	mm	14	Mod. 114	1.0	mm	15	Mod. 115	1.0	mm	16	Mod. 116	1.0	mm	17	Mod. 117	1.0	mm	18	Mod. 118	1.0	mm	19	Mod. 119	1.0	mm	20	Mod. 120	1.0	mm
Spec. No.	Spec. Description	Spec. Value	Unit																																														
11	Mod. 111	1.0	mm																																														
12	Mod. 112	1.0	mm																																														
13	Mod. 113	1.0	mm																																														
14	Mod. 114	1.0	mm																																														
15	Mod. 115	1.0	mm																																														
16	Mod. 116	1.0	mm																																														
17	Mod. 117	1.0	mm																																														
18	Mod. 118	1.0	mm																																														
19	Mod. 119	1.0	mm																																														
20	Mod. 120	1.0	mm																																														
<table border="1"> <thead> <tr> <th>Spec. No.</th> <th>Spec. Description</th> <th>Spec. Value</th> <th>Unit</th> </tr> </thead> <tbody> <tr> <td>21</td> <td>Mod. 121</td> <td>1.0</td> <td>mm</td> </tr> <tr> <td>22</td> <td>Mod. 122</td> <td>1.0</td> <td>mm</td> </tr> <tr> <td>23</td> <td>Mod. 123</td> <td>1.0</td> <td>mm</td> </tr> <tr> <td>24</td> <td>Mod. 124</td> <td>1.0</td> <td>mm</td> </tr> <tr> <td>25</td> <td>Mod. 125</td> <td>1.0</td> <td>mm</td> </tr> <tr> <td>26</td> <td>Mod. 126</td> <td>1.0</td> <td>mm</td> </tr> <tr> <td>27</td> <td>Mod. 127</td> <td>1.0</td> <td>mm</td> </tr> <tr> <td>28</td> <td>Mod. 128</td> <td>1.0</td> <td>mm</td> </tr> <tr> <td>29</td> <td>Mod. 129</td> <td>1.0</td> <td>mm</td> </tr> <tr> <td>30</td> <td>Mod. 130</td> <td>1.0</td> <td>mm</td> </tr> </tbody> </table>						Spec. No.	Spec. Description	Spec. Value	Unit	21	Mod. 121	1.0	mm	22	Mod. 122	1.0	mm	23	Mod. 123	1.0	mm	24	Mod. 124	1.0	mm	25	Mod. 125	1.0	mm	26	Mod. 126	1.0	mm	27	Mod. 127	1.0	mm	28	Mod. 128	1.0	mm	29	Mod. 129	1.0	mm	30	Mod. 130	1.0	mm
Spec. No.	Spec. Description	Spec. Value	Unit																																														
21	Mod. 121	1.0	mm																																														
22	Mod. 122	1.0	mm																																														
23	Mod. 123	1.0	mm																																														
24	Mod. 124	1.0	mm																																														
25	Mod. 125	1.0	mm																																														
26	Mod. 126	1.0	mm																																														
27	Mod. 127	1.0	mm																																														
28	Mod. 128	1.0	mm																																														
29	Mod. 129	1.0	mm																																														
30	Mod. 130	1.0	mm																																														
<table border="1"> <thead> <tr> <th>Spec. No.</th> <th>Spec. Description</th> <th>Spec. Value</th> <th>Unit</th> </tr> </thead> <tbody> <tr> <td>31</td> <td>Mod. 131</td> <td>1.0</td> <td>mm</td> </tr> <tr> <td>32</td> <td>Mod. 132</td> <td>1.0</td> <td>mm</td> </tr> <tr> <td>33</td> <td>Mod. 133</td> <td>1.0</td> <td>mm</td> </tr> <tr> <td>34</td> <td>Mod. 134</td> <td>1.0</td> <td>mm</td> </tr> <tr> <td>35</td> <td>Mod. 135</td> <td>1.0</td> <td>mm</td> </tr> <tr> <td>36</td> <td>Mod. 136</td> <td>1.0</td> <td>mm</td> </tr> <tr> <td>37</td> <td>Mod. 137</td> <td>1.0</td> <td>mm</td> </tr> <tr> <td>38</td> <td>Mod. 138</td> <td>1.0</td> <td>mm</td> </tr> <tr> <td>39</td> <td>Mod. 139</td> <td>1.0</td> <td>mm</td> </tr> <tr> <td>40</td> <td>Mod. 140</td> <td>1.0</td> <td>mm</td> </tr> </tbody> </table>						Spec. No.	Spec. Description	Spec. Value	Unit	31	Mod. 131	1.0	mm	32	Mod. 132	1.0	mm	33	Mod. 133	1.0	mm	34	Mod. 134	1.0	mm	35	Mod. 135	1.0	mm	36	Mod. 136	1.0	mm	37	Mod. 137	1.0	mm	38	Mod. 138	1.0	mm	39	Mod. 139	1.0	mm	40	Mod. 140	1.0	mm
Spec. No.	Spec. Description	Spec. Value	Unit																																														
31	Mod. 131	1.0	mm																																														
32	Mod. 132	1.0	mm																																														
33	Mod. 133	1.0	mm																																														
34	Mod. 134	1.0	mm																																														
35	Mod. 135	1.0	mm																																														
36	Mod. 136	1.0	mm																																														
37	Mod. 137	1.0	mm																																														
38	Mod. 138	1.0	mm																																														
39	Mod. 139	1.0	mm																																														
40	Mod. 140	1.0	mm																																														
<table border="1"> <thead> <tr> <th>Spec. No.</th> <th>Spec. Description</th> <th>Spec. Value</th> <th>Unit</th> </tr> </thead> <tbody> <tr> <td>41</td> <td>Mod. 141</td> <td>1.0</td> <td>mm</td> </tr> <tr> <td>42</td> <td>Mod. 142</td> <td>1.0</td> <td>mm</td> </tr> <tr> <td>43</td> <td>Mod. 143</td> <td>1.0</td> <td>mm</td> </tr> <tr> <td>44</td> <td>Mod. 144</td> <td>1.0</td> <td>mm</td> </tr> <tr> <td>45</td> <td>Mod. 145</td> <td>1.0</td> <td>mm</td> </tr> <tr> <td>46</td> <td>Mod. 146</td> <td>1.0</td> <td>mm</td> </tr> <tr> <td>47</td> <td>Mod. 147</td> <td>1.0</td> <td>mm</td> </tr> <tr> <td>48</td> <td>Mod. 148</td> <td>1.0</td> <td>mm</td> </tr> <tr> <td>49</td> <td>Mod. 149</td> <td>1.0</td> <td>mm</td> </tr> <tr> <td>50</td> <td>Mod. 150</td> <td>1.0</td> <td>mm</td> </tr> </tbody> </table>						Spec. No.	Spec. Description	Spec. Value	Unit	41	Mod. 141	1.0	mm	42	Mod. 142	1.0	mm	43	Mod. 143	1.0	mm	44	Mod. 144	1.0	mm	45	Mod. 145	1.0	mm	46	Mod. 146	1.0	mm	47	Mod. 147	1.0	mm	48	Mod. 148	1.0	mm	49	Mod. 149	1.0	mm	50	Mod. 150	1.0	mm
Spec. No.	Spec. Description	Spec. Value	Unit																																														
41	Mod. 141	1.0	mm																																														
42	Mod. 142	1.0	mm																																														
43	Mod. 143	1.0	mm																																														
44	Mod. 144	1.0	mm																																														
45	Mod. 145	1.0	mm																																														
46	Mod. 146	1.0	mm																																														
47	Mod. 147	1.0	mm																																														
48	Mod. 148	1.0	mm																																														
49	Mod. 149	1.0	mm																																														
50	Mod. 150	1.0	mm																																														
<table border="1"> <thead> <tr> <th>Spec. No.</th> <th>Spec. Description</th> <th>Spec. Value</th> <th>Unit</th> </tr> </thead> <tbody> <tr> <td>51</td> <td>Mod. 151</td> <td>1.0</td> <td>mm</td> </tr> <tr> <td>52</td> <td>Mod. 152</td> <td>1.0</td> <td>mm</td> </tr> <tr> <td>53</td> <td>Mod. 153</td> <td>1.0</td> <td>mm</td> </tr> <tr> <td>54</td> <td>Mod. 154</td> <td>1.0</td> <td>mm</td> </tr> <tr> <td>55</td> <td>Mod. 155</td> <td>1.0</td> <td>mm</td> </tr> <tr> <td>56</td> <td>Mod. 156</td> <td>1.0</td> <td>mm</td> </tr> <tr> <td>57</td> <td>Mod. 157</td> <td>1.0</td> <td>mm</td> </tr> <tr> <td>58</td> <td>Mod. 158</td> <td>1.0</td> <td>mm</td> </tr> <tr> <td>59</td> <td>Mod. 159</td> <td>1.0</td> <td>mm</td> </tr> <tr> <td>60</td> <td>Mod. 160</td> <td>1.0</td> <td>mm</td> </tr> </tbody> </table>						Spec. No.	Spec. Description	Spec. Value	Unit	51	Mod. 151	1.0	mm	52	Mod. 152	1.0	mm	53	Mod. 153	1.0	mm	54	Mod. 154	1.0	mm	55	Mod. 155	1.0	mm	56	Mod. 156	1.0	mm	57	Mod. 157	1.0	mm	58	Mod. 158	1.0	mm	59	Mod. 159	1.0	mm	60	Mod. 160	1.0	mm
Spec. No.	Spec. Description	Spec. Value	Unit																																														
51	Mod. 151	1.0	mm																																														
52	Mod. 152	1.0	mm																																														
53	Mod. 153	1.0	mm																																														
54	Mod. 154	1.0	mm																																														
55	Mod. 155	1.0	mm																																														
56	Mod. 156	1.0	mm																																														
57	Mod. 157	1.0	mm																																														
58	Mod. 158	1.0	mm																																														
59	Mod. 159	1.0	mm																																														
60	Mod. 160	1.0	mm																																														
<table border="1"> <thead> <tr> <th>Spec. No.</th> <th>Spec. Description</th> <th>Spec. Value</th> <th>Unit</th> </tr> </thead> <tbody> <tr> <td>61</td> <td>Mod. 161</td> <td>1.0</td> <td>mm</td> </tr> <tr> <td>62</td> <td>Mod. 162</td> <td>1.0</td> <td>mm</td> </tr> <tr> <td>63</td> <td>Mod. 163</td> <td>1.0</td> <td>mm</td> </tr> <tr> <td>64</td> <td>Mod. 164</td> <td>1.0</td> <td>mm</td> </tr> <tr> <td>65</td> <td>Mod. 165</td> <td>1.0</td> <td>mm</td> </tr> <tr> <td>66</td> <td>Mod. 166</td> <td>1.0</td> <td>mm</td> </tr> <tr> <td>67</td> <td>Mod. 167</td> <td>1.0</td> <td>mm</td> </tr> <tr> <td>68</td> <td>Mod. 168</td> <td>1.0</td> <td>mm</td> </tr> <tr> <td>69</td> <td>Mod. 169</td> <td>1.0</td> <td>mm</td> </tr> <tr> <td>70</td> <td>Mod. 170</td> <td>1.0</td> <td>mm</td> </tr> </tbody> </table>						Spec. No.	Spec. Description	Spec. Value	Unit	61	Mod. 161	1.0	mm	62	Mod. 162	1.0	mm	63	Mod. 163	1.0	mm	64	Mod. 164	1.0	mm	65	Mod. 165	1.0	mm	66	Mod. 166	1.0	mm	67	Mod. 167	1.0	mm	68	Mod. 168	1.0	mm	69	Mod. 169	1.0	mm	70	Mod. 170	1.0	mm
Spec. No.	Spec. Description	Spec. Value	Unit																																														
61	Mod. 161	1.0	mm																																														
62	Mod. 162	1.0	mm																																														
63	Mod. 163	1.0	mm																																														
64	Mod. 164	1.0	mm																																														
65	Mod. 165	1.0	mm																																														
66	Mod. 166	1.0	mm																																														
67	Mod. 167	1.0	mm																																														
68	Mod. 168	1.0	mm																																														
69	Mod. 169	1.0	mm																																														
70	Mod. 170	1.0	mm																																														
<table border="1"> <thead> <tr> <th>Spec. No.</th> <th>Spec. Description</th> <th>Spec. Value</th> <th>Unit</th> </tr> </thead> <tbody> <tr> <td>71</td> <td>Mod. 171</td> <td>1.0</td> <td>mm</td> </tr> <tr> <td>72</td> <td>Mod. 172</td> <td>1.0</td> <td>mm</td> </tr> <tr> <td>73</td> <td>Mod. 173</td> <td>1.0</td> <td>mm</td> </tr> <tr> <td>74</td> <td>Mod. 174</td> <td>1.0</td> <td>mm</td> </tr> <tr> <td>75</td> <td>Mod. 175</td> <td>1.0</td> <td>mm</td> </tr> <tr> <td>76</td> <td>Mod. 176</td> <td>1.0</td> <td>mm</td> </tr> <tr> <td>77</td> <td>Mod. 177</td> <td>1.0</td> <td>mm</td> </tr> <tr> <td>78</td> <td>Mod. 178</td> <td>1.0</td> <td>mm</td> </tr> <tr> <td>79</td> <td>Mod. 179</td> <td>1.0</td> <td>mm</td> </tr> <tr> <td>80</td> <td>Mod. 180</td> <td>1.0</td> <td>mm</td> </tr> </tbody> </table>						Spec. No.	Spec. Description	Spec. Value	Unit	71	Mod. 171	1.0	mm	72	Mod. 172	1.0	mm	73	Mod. 173	1.0	mm	74	Mod. 174	1.0	mm	75	Mod. 175	1.0	mm	76	Mod. 176	1.0	mm	77	Mod. 177	1.0	mm	78	Mod. 178	1.0	mm	79	Mod. 179	1.0	mm	80	Mod. 180	1.0	mm
Spec. No.	Spec. Description	Spec. Value	Unit																																														
71	Mod. 171	1.0	mm																																														
72	Mod. 172	1.0	mm																																														
73	Mod. 173	1.0	mm																																														
74	Mod. 174	1.0	mm																																														
75	Mod. 175	1.0	mm																																														
76	Mod. 176	1.0	mm																																														
77	Mod. 177	1.0	mm																																														
78	Mod. 178	1.0	mm																																														
79	Mod. 179	1.0	mm																																														
80	Mod. 180	1.0	mm																																														
<table border="1"> <thead> <tr> <th>Spec. No.</th> <th>Spec. Description</th> <th>Spec. Value</th> <th>Unit</th> </tr> </thead> <tbody> <tr> <td>81</td> <td>Mod. 181</td> <td>1.0</td> <td>mm</td> </tr> <tr> <td>82</td> <td>Mod. 182</td> <td>1.0</td> <td>mm</td> </tr> <tr> <td>83</td> <td>Mod. 183</td> <td>1.0</td> <td>mm</td> </tr> <tr> <td>84</td> <td>Mod. 184</td> <td>1.0</td> <td>mm</td> </tr> <tr> <td>85</td> <td>Mod. 185</td> <td>1.0</td> <td>mm</td> </tr> <tr> <td>86</td> <td>Mod. 186</td> <td>1.0</td> <td>mm</td> </tr> <tr> <td>87</td> <td>Mod. 187</td> <td>1.0</td> <td>mm</td> </tr> <tr> <td>88</td> <td>Mod. 188</td> <td>1.0</td> <td>mm</td> </tr> <tr> <td>89</td> <td>Mod. 189</td> <td>1.0</td> <td>mm</td> </tr> <tr> <td>90</td> <td>Mod. 190</td> <td>1.0</td> <td>mm</td> </tr> </tbody> </table>						Spec. No.	Spec. Description	Spec. Value	Unit	81	Mod. 181	1.0	mm	82	Mod. 182	1.0	mm	83	Mod. 183	1.0	mm	84	Mod. 184	1.0	mm	85	Mod. 185	1.0	mm	86	Mod. 186	1.0	mm	87	Mod. 187	1.0	mm	88	Mod. 188	1.0	mm	89	Mod. 189	1.0	mm	90	Mod. 190	1.0	mm
Spec. No.	Spec. Description	Spec. Value	Unit																																														
81	Mod. 181	1.0	mm																																														
82	Mod. 182	1.0	mm																																														
83	Mod. 183	1.0	mm																																														
84	Mod. 184	1.0	mm																																														
85	Mod. 185	1.0	mm																																														
86	Mod. 186	1.0	mm																																														
87	Mod. 187	1.0	mm																																														
88	Mod. 188	1.0	mm																																														
89	Mod. 189	1.0	mm																																														
90	Mod. 190	1.0	mm																																														
<table border="1"> <thead> <tr> <th>Spec. No.</th> <th>Spec. Description</th> <th>Spec. Value</th> <th>Unit</th> </tr> </thead> <tbody> <tr> <td>91</td> <td>Mod. 191</td> <td>1.0</td> <td>mm</td> </tr> <tr> <td>92</td> <td>Mod. 192</td> <td>1.0</td> <td>mm</td> </tr> <tr> <td>93</td> <td>Mod. 193</td> <td>1.0</td> <td>mm</td> </tr> <tr> <td>94</td> <td>Mod. 194</td> <td>1.0</td> <td>mm</td> </tr> <tr> <td>95</td> <td>Mod. 195</td> <td>1.0</td> <td>mm</td> </tr> <tr> <td>96</td> <td>Mod. 196</td> <td>1.0</td> <td>mm</td> </tr> <tr> <td>97</td> <td>Mod. 197</td> <td>1.0</td> <td>mm</td> </tr> <tr> <td>98</td> <td>Mod. 198</td> <td>1.0</td> <td>mm</td> </tr> <tr> <td>99</td> <td>Mod. 199</td> <td>1.0</td> <td>mm</td> </tr> <tr> <td>100</td> <td>Mod. 200</td> <td>1.0</td> <td>mm</td> </tr> </tbody> </table>						Spec. No.	Spec. Description	Spec. Value	Unit	91	Mod. 191	1.0	mm	92	Mod. 192	1.0	mm	93	Mod. 193	1.0	mm	94	Mod. 194	1.0	mm	95	Mod. 195	1.0	mm	96	Mod. 196	1.0	mm	97	Mod. 197	1.0	mm	98	Mod. 198	1.0	mm	99	Mod. 199	1.0	mm	100	Mod. 200	1.0	mm
Spec. No.	Spec. Description	Spec. Value	Unit																																														
91	Mod. 191	1.0	mm																																														
92	Mod. 192	1.0	mm																																														
93	Mod. 193	1.0	mm																																														
94	Mod. 194	1.0	mm																																														
95	Mod. 195	1.0	mm																																														
96	Mod. 196	1.0	mm																																														
97	Mod. 197	1.0	mm																																														
98	Mod. 198	1.0	mm																																														
99	Mod. 199	1.0	mm																																														
100	Mod. 200	1.0	mm																																														

DRG - F

3/4/62



Teil 1
Kreuzzahl
Spindel 10 e/h, 2583,7mm (ø 150,866)



Teil 2
Kreuzzahl
Spindel 10 e/h, 2583,7mm (ø 150,866)

Teil 3
Kreuzzahl
Spindel 10 e/h, 2028,5mm (ø 120)

Rougher

FORM 303 ROUGHER
DRG NO. 1
A

TEIL 1
DRG NO. 1
A

