



**Bharat Heavy Electricals Limited**  
**(Seamless steel Tube Plant)**  
Tiruchirappalli – 620014, TAMIL NADU, INDIA

<b>TITLE: SUPPLY OF Shaft for Adjustable &amp; KR 75 Rolls</b>	Phone: +91 431 257 8480 Email : neerajxalxo@bheltry.co.in Web : <a href="http://www.bhel.com">www.bhel.com</a>	
Reference Number: <b>9231406E</b>	Date: <b>21.03.2014</b>	Due date for submission of application: <b>11.04.2014</b>

**BHEL/SSTP, Trichy is looking for vendors to supply Shaft for Adjustable & KR 75 Rolls as per Tender documents attached.**

**A. Important Note to New Vendors**

The new vendors will be required to furnish the following documentary proof/ information along with their offers:

1. Certificate of registration (copy of certificate to be submitted).
2. Banker's information (copy of bank pass book first page to be submitted).
3. MSME vendor certificate (if applicable).
4. Address of your organization (complete postal address with PINCODE).
5. Contact person's Phone No. /Mobile No. / FAX No. /E-mail ID.
6. Statutory documents – VAT / TIN / EXCISE REGISTRATION / CST REGN / SERVICE TAX REGISTRATION etc. (copy to be furnished)
7. NSIC/SSI Certificate (if applicable)
8. ISO Certificate (if applicable)
9. Experience certificate as proof of supply of similar items to any Govt. agencies / PSU / Organisations (copy of PO's to be furnished).
10. Audit Report/ IT Return (if applicable)
11. Agency agreement with manufacturer (if applicable)
12. Partnership Deed (if applicable).

**If the new vendors fail to submit the above documentary proof/information, their offers will not be considered for this enquiry.**



An ISO 9001  
Company

## **Bharat Heavy Electricals Limited (Seamless steel Tube Plant)**

Tiruchirappalli – 620014, TAMIL NADU, INDIA

### **B. Important Note to MSE Vendors**

1. 20% of the tendered quantity is earmarked for MSE suppliers in this tender.
2. Out of the 20% tendered quantity reserved for MSE suppliers, 4% shall be earmarked for procurement from MSE owned by SC / ST entrepreneurs.
3. In case MSE vendor participating in the tender quotes within the price band of L1 + 15%, they will be allowed to supply the portion of the requirement subject to acceptance of L1 price by MSE vendor. In case of more than one such MSE, the supply shall be shared proportionately.
4. MSE suppliers can avail the intended benefits only if they submit along with offer, attested copies of either EM II certificate having deemed validity (Two years from the date of issue of acknowledgement in EM II) or valid NSIC certificate or EM II certificate along with CA certificate (Format enclosed) applicable for the year, certifying quantum of investment in plant and machinery within the permissible limit as per the act for relevant status (Micro or small) where the deemed validity of EM II is over. Date to be reckoned for determining the deemed validity will be the last date of technical bid submission. Non submission of such documents will lead to consideration of their bids at par with other bidders and MSE status of such suppliers shall be shifted to Non MSE supplier till the supplier submits these documents.

Purchase Officer / Purchase /SSTP

Phone: 0431-257 8440.

Mail: [neerajxalxo@bheltry.co.in](mailto:neerajxalxo@bheltry.co.in)

 <b>BHARAT HEAVY ELECTRICALS LTD.</b> (A GOVERNMENT OF INDIA UNDERTAKING) SEAMLESS STEEL TUBE PLANT TIRUCHIRAPPALLI - 620 014. TAMIL NADU.	PHONE : 0431-2578480, 2578547,2578428, 2578406 FAX : 0431-2520464/383	TIN : 33243560005  CST No. 239383 Dated 11.06.1991	<b>PURCHASE ENQUIRY</b>		
	S40-003/D	VENDOR CODE			

Office Copy

**IMPORTANT POINTS :**

1. Tender Closing Time - 14.00 Hrs.
2. Tender Opening Time - 15.00 Hrs.
3. Tender should be submitted in a sealed cover, duly indicating enquiry No., Enquiry Date & Enquiry Due Date on the cover.
4. Offer(s) received through Courier Services after 14.00 Hrs. on Enquiry Due Date not be considered.
5. Late Tender (s) is/are liable for rejection.
6. Offer(s) shall be valid for 60 days from Enquiry Due Date.
7. Offer(s) in Vendor's Letter-Head shall contain.
  - a. Offer No. and Date
  - b. Delivery Period
  - c. Delivery Terms
  - d. Payment Terms
  - e. Excise Duty with Tariff Heading Sales Tax (against form-XVIII-om-C) etc.
  - f. Excise Regn. No. and SSI Regn. No.

Kindly arrange to submit your **COMPETITIVE OFFER** for the following item(s).  
 If you are not in a position to submit your Offer, kindly arrange to send your **REGRET LETTER**.

**THIS IS ONLY A REQUEST FOR OFFER AND NOT AN ORDER**

Sl.No.	BHEL Material Code and Description	Unit	Requirement		
			Quantity	Delivery	
01	BHEL Material Code : SP6906311020 ----- SHAFT FOR ADJUSTABLE ROLL DRAWING NO. : 20.ST.192.02.026/07	Nos.	01	75.000	30/09/2014
02	BHEL Material Code : SP6925110022 ----- SHAFT(KR-75) DRAWING NO:20.ST.232.01.007/05	Nos.	01	36.000	30/09/2014
<b>Foot Note ::</b> <ol style="list-style-type: none"> <li>1. This Tender is floated on TWO-BID basis.</li> <li>2. Following details are enclosed.               <ol style="list-style-type: none"> <li>a. Annexure-A - Important Note to Tenderers.                    Tenderers are requested to submit their Offers in TWO-BID basis, viz.,                   <ol style="list-style-type: none"> <li>I. Part I .. Technical and Un-Priced Commercial Bid</li> <li>II. Part II .. Price Bid</li> </ol> </li> <li>b. Annexure-B - Technical Conditions</li> <li>c. Annexure-C - Commercial Conditions</li> </ol> </li> <li>3. Tenderers are required to fill in above Annexure-B and C and enclose them along with their UN-PRICED BID.</li> <li>4.a. Delivery date furnished in the Enquiry is only indicative.</li> <li>4.b. For Delivery Schedule - Pl. refer Clause No. C.4 of Annexure- C.</li> <li>5. Price Bid of Vendors, who accept the Clause No. B.1 to B.8 of Annexure-B &amp; C.1 to C.5 of Annexure- C. shall only be considered for further processing.                Fill the Annexure-B &amp; C and enclose it with Technical and Un-Priced Commercial Bid.</li> <li>6. Annexure-D Note to MSE Vendors enclosed. Send your MSE Certificate accordingly.</li> <li>7. We highlight Clause Nos. 6 and 7 (LD and Risk Purchase) of Enquiry Terms and Conditions, printed overleaf.</li> </ol>					

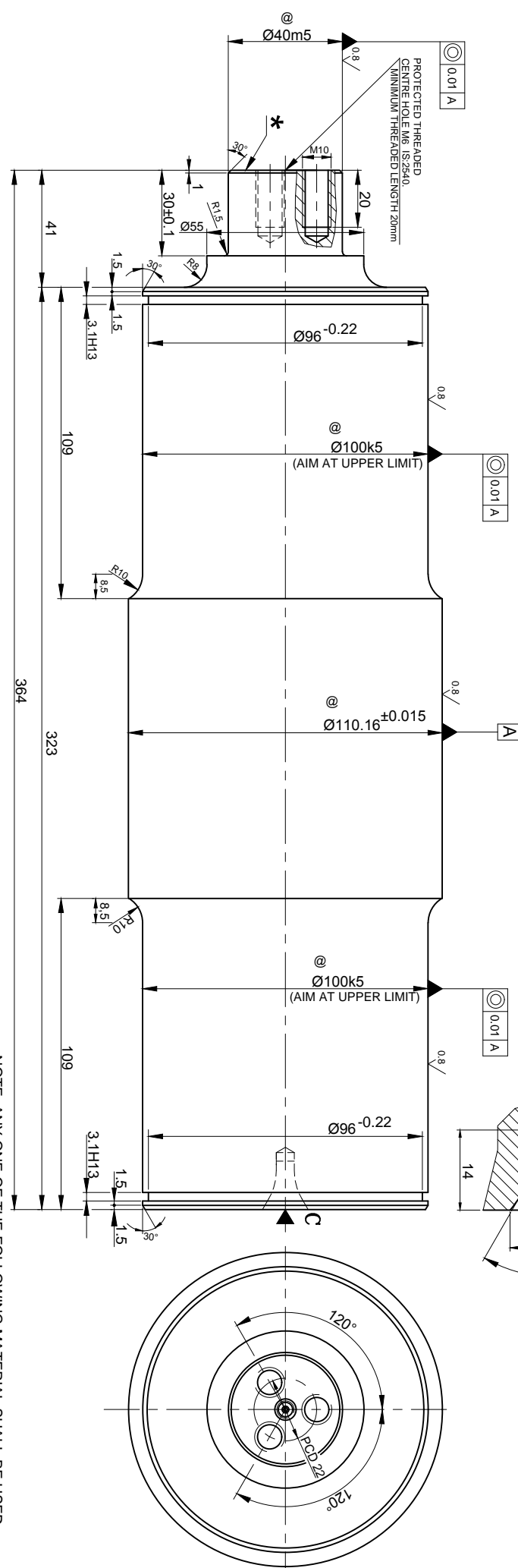
**IMPORTANT NOTE :**

Delivery Terms : "Free Delivery at BHEL-SSTP STORES" is preferable.  
 Payment Terms : 100% payment within 45days after receipt and acceptance of materials by BHEL.  
 Terms and Conditions of Tender : Please see reverse.  
 The Technical Requirements / Specification Details / Quality Requirements/Commercial Terms & Conditions are clearly furnished in the Tender. If Deviation(s) is/are not explicitly brought out in the Offer, it will be construed that the Tenderer is complying with the requirement of BHEL in full without any deviation(s).

For and on behalf of  
**BHARAT HEAVY ELECTRICALS LTD.**



**PURCHASE EXECUTIVE**



**CENTRE DETAIL-C**  
(SCALE 2:1)

DEVIATIONS OF UNTOLERANCED DIMENSIONS TO BE ASPER IS:2102-1969 MEDIUM.

3.1	H 13	+0.140
40	m5	+0.020
100	k5	+0.018
		+0.003

ALL DIMENSIONS ARE IN MILLIMETERS

- NOTE TO SUPPLIER**
- 01) MATERIAL CHEMISTRY--NABL ACCREDITED LAB TEST CERTIFICATE IS TO BE PROVIDED
  - 02) HARDNESS, HEAT TREATMENT & TENSILE TEST CERTIFICATES ARE OBTAINED FROM THE HEAT TREATERS IS TO BE PROVIDED
  - 03) LIQUID PENETRANT TEST TO BE CONDUCTED ON ENTIRE SURFACE AND SHALL BE CERTIFIED BY N D T LEVEL-2 QUALIFIED PERSONNEL AS PER SNT-TC-1A
  - 04) THREADED AREA TO BE PROPERLY PROTECTED, COATED WITH RUST PREVENTIVE OIL AND PACKED TO AVOID DAMAGES DURING TRANSIT

\* MARK MATERIAL CODE NO.:69 06 31 0020 , FIRMS NAME & P O NO.

**NOTE: ANY ONE OF THE FOLLOWING MATERIAL SHALL BE USED**  
MATERIAL:40Cr4Mn03 IS:4367-1991

**CHEMICAL COMPOSITION**

C	Si	Mn	Cr	Mo
0.35	0.10	0.50	0.90	0.20
0.45	0.35	0.80	1.20	0.35

HEAT TREAT TO 95-105 kg/mm<sup>2</sup>  
HARDNESS 29-32 HRC  
EQUIVALENT MATERIAL:42CrMn04 (DIN 1.7225)

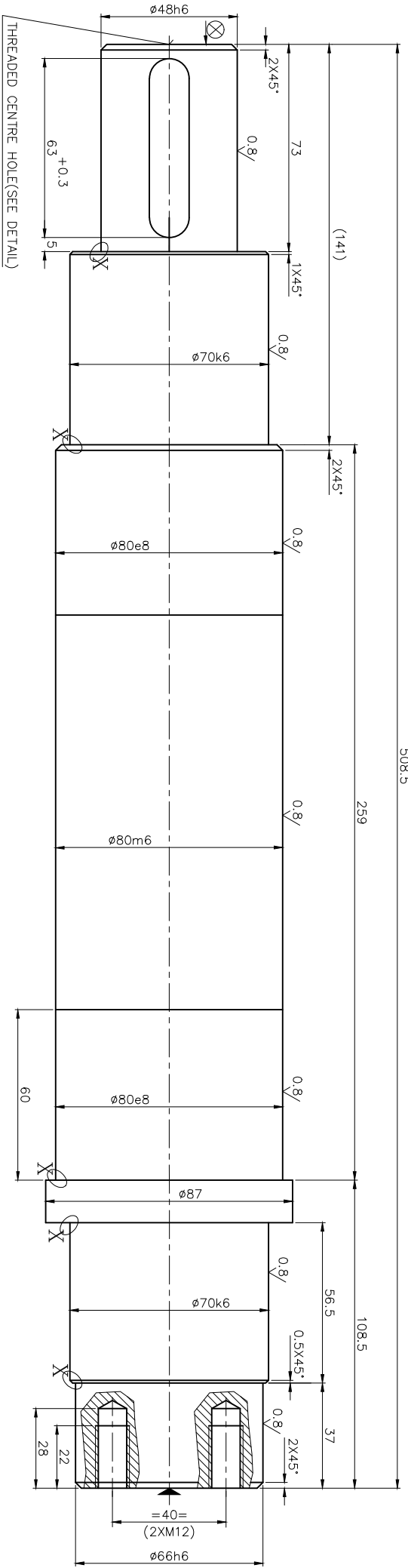
@ MARKED DIMENSIONS ARE TO BE GROUND BETWEEN CENTRES.

Bharat Heavy Electrodics Ltd		DATE	
SEAMLESS STEEL TUBE PLANT		02/04/08	
THIRUCHIRAPPALLI - 620014		DRAWN	
APPRO		CHECKED	
M MARDUHANAN		M MARDUHANAN	
01/03/14		01/03/14	
REF TO ASSY DWG NO 10.....033		REF TO ASSY DWG NO	
RW 39386/1		RW 39386/1	

REV	DATE	ALTERED
01	28.08.09	APPROVED

NOTE TO SUPPLIER ADDED

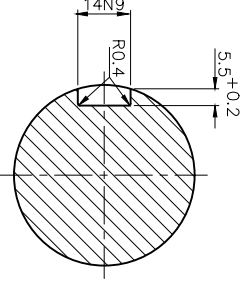
SHAFT (PUSH BENCH ADU.)		DRAWING NO :	
TITLE		20-ST-192-02-026	
C/D		REV	
U 01		07	



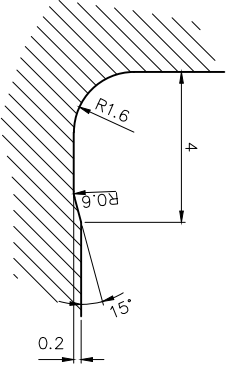
ALL DIMENSIONS ARE IN MILLIMETERS

1.6 / 0.8 / 0.4  
DEVIATIONS OF UNTOLERANCED DIMENSIONS TO BE AS PER IS: 2102-1969 MEDIUM

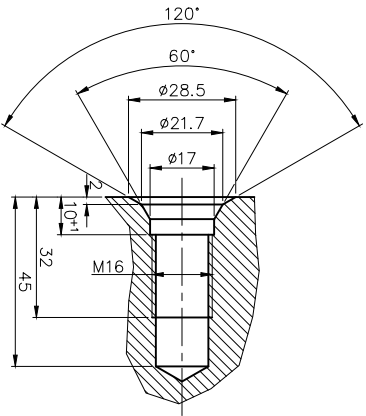
DETAIL OF KEYWAY



DETAIL-X



THREADED CENTRE



Ø48h6	0	-0.016
Ø70k6	+0.021	+0.002
Ø80e8	-0.060	-0.106
Ø80m6	+0.030	+0.011
Ø66h6	0	-0.019
14N9	0	-0.043

NOTE TO SUPPLIER  
ULTRASONIC TESTING IS TO BE CONDUCTED AFTER FINISH MACHINING AS PER S A 388  
ACCEPTANCE STANDARD IN ACCORDANCE WITH CLAUSE 3.3.4.2 OF ASME See VIII DIV.2  
TEST RESULTS SHALL BE CERTIFIED BY N D T LEVEL II QUALIFIED PERSONNEL AS PER SNT-TC-1A  
HARDNESS CERTIFICATE ISSUED BY THE HEAT TREATMENT SHOP SHALL BE SENT WITH THE SHAFTS

Ø48h6, Ø70k6, Ø80e8, Ø80m6 & Ø66h6 ARE TO BE GROUND BETWEEN CENTRES IN SINGLE SETTING

MATERIAL: 45C8 IS: 5517-1993

HARDNESS 25-26HRC

⊗ MARK MATERIAL CODE No. 69 25 11 002 2. FIRMS NAME & P O No.

		Bharat Heavy Electricals Ltd SEAMLESS STEEL TUBE PLANT TIRUCHIRAPPALLI - 620014		DSN R. KUMAR NAME SIGNATURE DATE 10.12.09	
DEPT	T E	GROUP OF UNITS	SCALE	WEIGHT (Kg)	REV
06.03.14	06.03.14	C/M/F	1:1	16.3	U 01
APPD	REF TO ASSY DWG NO	REF TO QAD DWG NO	DRAWING NO :		
M. MARUDHAVANAN	00.ST.232.01.010	05201136-10.003	20-ST-232-01-007		05

**IMPORTANT NOTE TO TENDERERS**  
**( FOR INDIGENOUS & OVERSEAS SUPPLIERS )**

**This Tender is floated on TWO-BID System.** Tenders are requested to submit their offers in TWO-BIDS (Part I: Un priced bid and Part II: Price Bid) separately in a sealed cover as follows.

1. **Part I: UN PRICED BID:** (Complete with technical & Commercial conditions as per enquiry including un priced copy of price schedule i.e. identical to part II with prices blanked and replaced by “Quoted”) .

The Tenderer should confirm their acceptance / comments to the Enquiry along with other commercial Terms & Conditions of the Tender. In case any deviation is taken by the Tenderer from the Tender requirements, it is to be clearly indicated in the offer with reference to the particular clause. If such deviations are not explicitly indicated in the offer, it will be construed by BHEL that the Tenderer is complying with Annexure Clause(s), Commercial terms & conditions and other conditions in full.

2. **Part II: PRICE BID:** Price (with break-up details wherever required) to be indicated.
3. **Both Un priced Bid and Price Bid is** to be submitted in a single envelop before 1400 hours (Indian Time) on tender Due Date.
4. The **Unpriced Bid** shall be put in a separate sealed cover superscribed with Tender number, Tender Date & Tender Due Date and also the cover should be clearly marked with “UNPRICED BID”.
5. The **Price Bid** shall be put in a separate sealed cover superscribed with Tender number, Tender Date & Tender Due Date & the cover should be clearly marked with “PRICE BID”.
6. Both the individually enveloped **UNPRICED BID** and **PRICE BID** covers as mentioned above, have to be put in another single bigger cover clearly indicating Tender number, Tender Date & Tender Due Date at the top of the cover.  
This cover is to be addressed to

Purchase Executive,  
Purchase Department,  
Seamless Steel Tube Plant (SSTP),  
BHEL, Tiruchirapalli-620014, India.  
Phone No: 91 431 2578502, 2578491

7. Unpriced Bid shall only be opened on the Tender Due Date mentioned in the Tender, in the presence of Tenderers / their Authorized Representative, who may like to be present for such opening. The price bid will NOT be opened on the date of tender opening.
8. After opening the Unpriced Bid, they shall be evaluated by BHEL for their suitability. BHEL shall hold discussions with the responded Tenderers on the Technical and Commercial terms and freeze the terms & conditions of the offer.. These frozen technical specifications will be communicated to responded tenderers.
9. BHEL shall offer opportunity to the responded and technically / commercially suitable Tenderers, to submit their latest Price Bid/ Impact of prices, if any in line with the frozen technical, Commercial, delivery conditions.
10. This latest Price Bid & the Impact of prices for the frozen technical specifications submitted by the Tenderers will be opened in the presence of Tenderers. Based on the above, the ranking of the Tenderers shall be made and accordingly the Tender shall be finalized.

Annexure-D

**Important Note to MSE Vendors**

1. 20% of the tendered quantity is earmarked for MSE suppliers in this tender.
2. Out of the 20% tendered quantity reserved for MSE suppliers, 4% shall be earmarked for procurement from MSE owned by SC / ST entrepreneurs.
3. In case MSE vendor participating in the tender quotes within the price band of L1 + 15%, they will be allowed to supply the portion of the requirement subject to acceptance of L1 price by MSE vendor. In case of more than one such MSE, the supply shall be shared proportionately.
4. MSE suppliers can avail the intended benefits only if they submit along with offer, attested copies of either EM II certificate having deemed validity (Two years from the date of issue of acknowledgement in EM II) or valid NSIC certificate or EM II certificate along with CA certificate (Format enclosed) applicable for the year, certifying quantum of investment in plant and machinery within the permissible limit as per the act for relevant status (Micro or small) where the deemed validity of EM II is over. Date to be reckoned for determining the deemed validity will be the last date of technical bid submission. Non submission of such documents will lead to consideration of their bids at par with other bidders and MSE status of such suppliers shall be shifted to Non MSE supplier till the supplier submits these documents.

**Certificate by Chartered Accountant**

**This is to Certify that M/S .....,**  
**(hereinafter referred to as 'company') having its registered office at**  
**..... is registered under MSMED Act 2006, (Entrepreneur**  
**MeMemorandum No (Part—II).....dtd:.....,**  
**Category: ..... (Micro/Small)). (Copy enclosed).**  
**Further verified from the Books of Accounts that the investment of the company as on**  
**date ..... as per MSMED Act 2006 is as follows:**  
1. **For Manufacturing Enterprises: Investment in plant and machinery** (i.e. original cost  
excluding land and building and the items specified by the Ministry of Small Scale Industries vide its  
notification No.5.0.1722(E) dated October 5, 2006:  
**Rs. .... Lacs**  
2. **For Service Enterprises: Investment in equipment** (original cost excluding land and building and  
furniture, fittings and other items not directly related to the service rendered or as may be notified under the MSMED  
Act, 2006:  
**Rs. .... Lacs**  
**The above investment of Rs ..... Lacs is within permissible limit of**  
**Rs ..... Lacs for ..... Micro / Small (Strike off which is not applicable)**  
**Category under MSMED Act 2006.**

**Date:**  
**(Signature)**  
**Name -**  
**Membership number -**  
**Seal of Chartered Accountant**

**Annexure – B.**  
**Technical Conditions**

Vendor Code:	Vendor Name:	
Tender No.:	Tender Date:	Tender Due Date:

Sl.No.	Technical Requirement	Accepted
B.1.	To supply of Materials as per Tender Specifications, Drawings, without any deviation.	
B.2.	For Enq. Sl.No. 1 – Material chemistry Test certificate – to be provided from NABL accredited LAB.	
B.3.	For Enq.Sl.No. 1 - Indicated which material to be used to in the technical bid itself.	
B.4.	For Enq.Sl.No. 1 -LPT test to conducted on entire surface and shall be certified by NDT Level II qualified personnel.	
B.5.	For Enq.Sl.No. 1 - Threaded area to be properly protected.	
B. 6.	For Enq.Sl.No. 2 - Ultrasonic testing to be conducted after finish machining.	
B.7.	For both Sl.Nos. - Hardness certificate issued by the Heat treatment shop to be enclosed with Supply.	
B.8.	To supply of materials with suitable preservation and packing	
<u>Deviations, if any ( attach additional sheet, if reqd) :</u>		

Signature :

Date :

Seal :

**Annexure – C.**  
**Commercial Conditions**

Vendor Code:	Vendor Name:	
Tender No.:	Tender Date:	Tender Due Date:

Sl. No.	Commercial Terms	Accepted																				
C1.	<u>Delivery Terms :</u> Free delivery at BHEL/SSTP Stores.																					
C2.	<u>Payment :</u> 100% after 45 days after receipt and acceptance of materials by BHEL																					
C3.	BHEL Enquiry Terms and Conditions available on the reverse of the printed Enquiry Sheet (with specific reference to Clause Nos, 06 and 07 – Liquidated Damages and Risk Purchase)..																					
C4.	<p><u>Delivery Period :</u></p> <table border="1" style="margin-left: 40px;"> <thead> <tr> <th></th> <th>Total Qty</th> <th colspan="3">Quantity Required in 2/4/6<sup>th</sup> month.</th> </tr> </thead> <tbody> <tr> <td>Deli. From PO Date in Months</td> <td></td> <td style="text-align: center;">2</td> <td style="text-align: center;">4</td> <td style="text-align: center;">6</td> </tr> <tr> <td><b>Quantity for Enq. Sl.No 1</b></td> <td style="text-align: center;"><b>75</b></td> <td style="text-align: center;"><b>25</b></td> <td style="text-align: center;"><b>25</b></td> <td style="text-align: center;"><b>25</b></td> </tr> <tr> <td><b>Quantity for Enq. Sl.No 2</b></td> <td style="text-align: center;"><b>36</b></td> <td style="text-align: center;">---</td> <td style="text-align: center;"><b>12</b></td> <td style="text-align: center;"><b>24</b></td> </tr> </tbody> </table> <p><b>Order will be placed Item wise L1 Vendor.</b></p>		Total Qty	Quantity Required in 2/4/6 <sup>th</sup> month.			Deli. From PO Date in Months		2	4	6	<b>Quantity for Enq. Sl.No 1</b>	<b>75</b>	<b>25</b>	<b>25</b>	<b>25</b>	<b>Quantity for Enq. Sl.No 2</b>	<b>36</b>	---	<b>12</b>	<b>24</b>	
	Total Qty	Quantity Required in 2/4/6 <sup>th</sup> month.																				
Deli. From PO Date in Months		2	4	6																		
<b>Quantity for Enq. Sl.No 1</b>	<b>75</b>	<b>25</b>	<b>25</b>	<b>25</b>																		
<b>Quantity for Enq. Sl.No 2</b>	<b>36</b>	---	<b>12</b>	<b>24</b>																		
C5	<u>Validity – 60 Days from the date of Tender Opening.</u>																					
<u>Deviations, if any ( attach additional sheet, if reqd) :</u>																						

Sl.No.	Commercial Terms	
C7.	a. Excise Duty Tariff Heading	
	b. Excise Duty ( %)	
	c. CESS on ED ( %)	
	d. Total of ED and CESS (%)	
C8	a. TVNAT ( %)	
	b. CST (%)	
C9.	Other Cost (if any) - % (or) Rs.	
C10	Are you Micro/Small/Medium Industry? (If YES, please furnish MSM Regn.No., along with a copy of MSM Certificate)	YES / NO MSM No. MSM Certificate enclosed(Yes/NO)

Signature with Date :  
Seal :