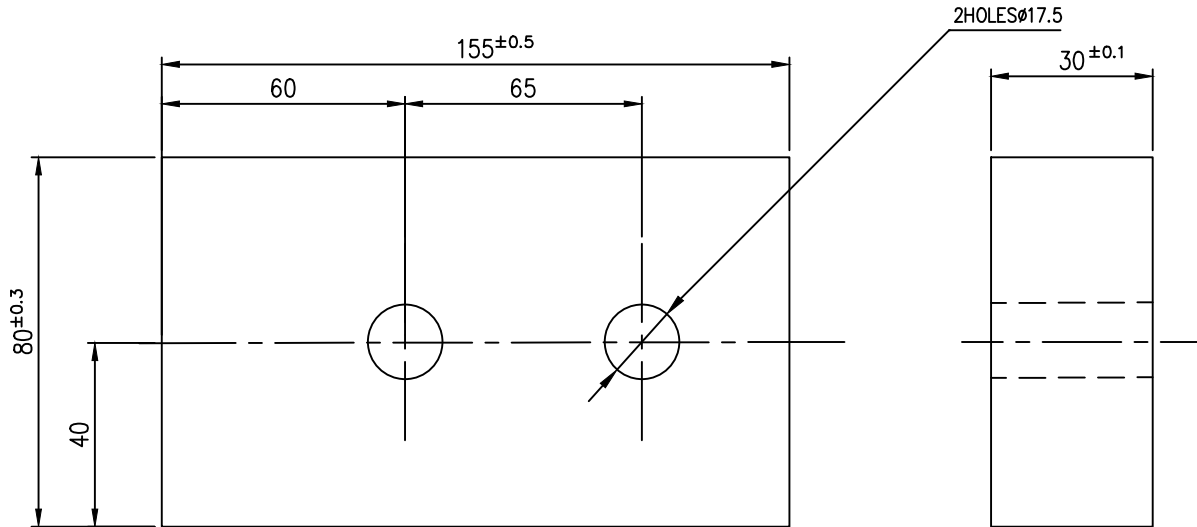


CAUTION: The information on this document is the property of BHARAT HEAVY ELECTRICALS LTD. It must not be used directly or indirectly in any way detrimental to the interest of the company.

REV 01	DATE 8.9.1986	ALTERED: -SD- CHECKED: -SD-	REV 02	DATE 4.5.2008	ALTERED: <i>RS</i> CHECKED: <i>M Manu</i>	REV 03	DATE 23.07.13	ALTERED: G.SATHISH CHECKED: M.K.NAHAK
MATL SPEC CHANGED FROM BMCQ-10 TO BMCQ-45			MATL SPEC CHANGED AS IS 2073/70 Gr.C-45			DIMENSIONAL TOLERANCE INCORPORATED.		



TO BE FORGED

NOTES:-

* THE MATERIAL CAN BE OF ANY ONE OF THE FOLLEQUIVALENT SPECN.

- △ IS 2073/70 Gr.C-45
- BS-970/Pr.I/Gr.080.M46
- DIN 17200/69 Gr./C45

VARIANT NO	01	DESCRIPTION	STD	DRAWING NO.	ITEM NO VAR NO	96150266 △ BMCQ 45 *	A C	UNIT DI	2.807 1	UNIT WT. QUANTITY	GS	ZONE	
				BHARAT HEAVY ELECTRICALS LTD., UNIT: BOILER AUXILIARIES PLANT. RANIPET - 632 406.		DRN	M.MADHAVAN	SIGN	-SD-	DATE	21.12.84	NO.OF VAR	
DEPT AQCS				GRADE OF UNTOL.DIM		SCALE		WEIGHT (KG).		REF. TO ASSY./OLD DRG.		ITEM NO.	NO. OF ITEMS
CODE 862				C / M / F		1:2		2.807					
TITLE					CARD CODE	DRAWING NO.					REV		
SHOCK PAD					U 01	4-79-024-00348					03		