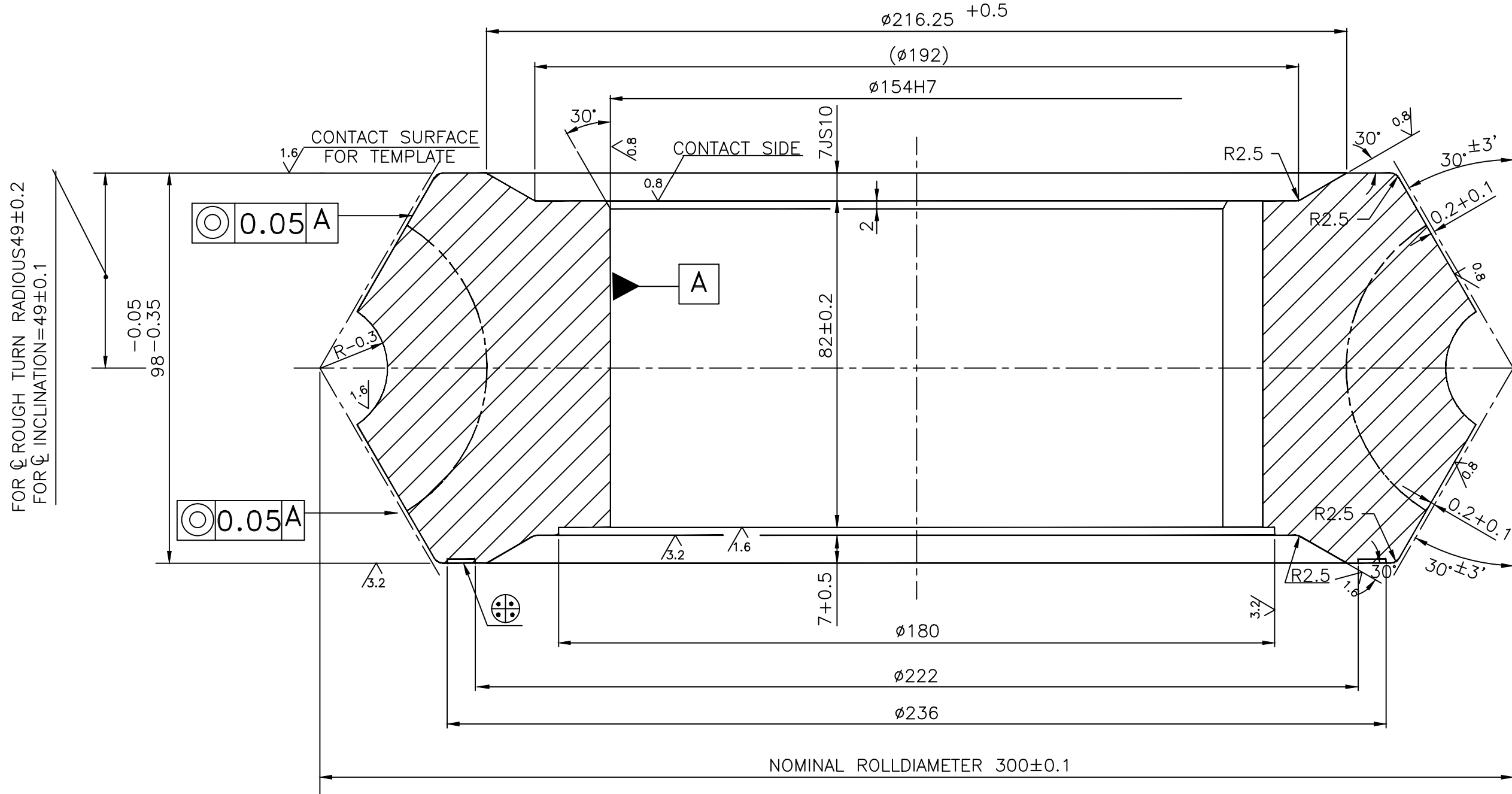


CAUTION: THE INFORMATION ON THIS DOCUMENT IS THE PROPERTY OF BHARAT HEAVY ELECTRICALS LTD IT MUST NOT BE USED DIRECTLY OR INDIRECTLY IN ANYWAY DETERMINAL TO INTEREST OF THE COMPANY

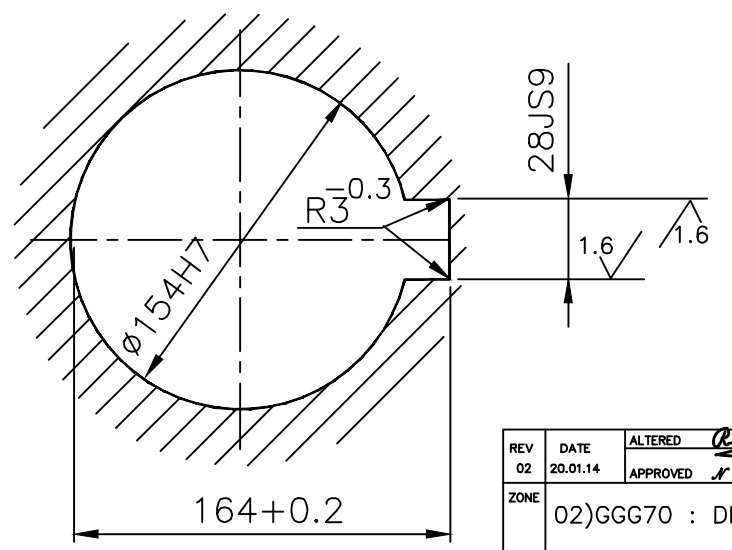
ALL DIMENSIONS ARE IN MILLIMETERS

3.2/1.6/0.8/

154 H7	+0.040 0
28 JS9	±0.026
7 JS10	±0.029



SL No	R	MATERIAL CODE No.	WT Kg
01	17	6912510027	28.6
02	20	6912510035	26.3
03	24	6912510043	23.8
04	26	6912510051	22.6
05	30	6912510060	20.3
06	35	6912510078	17.5
07	40	6912510086	14.8
08	15	6912510652	31.5



⊕ MARK R VALUE & MATERIAL CODE No, PO/RO No, ROLL SL No & FIRMS NAME
 MATERIAL: SPHEROIDAL GRAPHITE IRON
 01) SG700/2 : IS1865
 02) GGG70 : DIN1693
 HARDENESS : 420-450BHN
 CHEMICAL COMPOSITION SHOULD BE AS PER STANDARD

REV 02	DATE 20.01.14	ALTERED <i>R. Kumar</i>	DEPT SEAMLESS STEEL TUBE PLANT TIRUCHIRAPALLI - 620014	GRADE OF UNTO. DIM C/M/F	SCALE 1:1	WEIGHT (Kg)	DRN R.KUMAR	NAME <i>R. Kumar</i>	DATE 20.01.14	
	ZONE 02)GGG70 : DIN1693 ADDED	CHD N ARUMUGANAINAR					SIGNATURE <i>N. Arumuganainar</i>	DATE		
TITLE S G IRON ROLL (S R M 300)							CARD CODE U 01	DRAWING NO : 20-ST-115-02-156		REV 02