

1. Specification of Aluminum Enclosures:

A). 3-Phase Power Unit:

Aluminum enclosure fabrication 3.00 mm thickness of 3-phase power unit (550x375x275) mounting with Power interface boards, SMPS power supplies and 3-phase PTs & CTs and with spare fixing as per enclosed mechanical diagram.

1. FAN- Exhaust type of good quality for 2Nos having following specification:
 - Instrument cooling fan, size.120x120x38mm, Input Supply Voltage 230V AC, Speed 2650 rpm, Fan blades with metal.
2. Opposite to the fan-side perforations at the bottom, fitted with a dust-filter inside housed in a sliding tray for easy cleaning.
3. Power chord through a ½" hole with rubber grommets.
4. M8 bolt welded near the bottom edge at the backside for earthing the unit. (Bolt free from powder coating).
5. Cover Latch to be SS, Spring Loaded type.
6. All bolts & holes to be counter sunk.
7. All Nuts, Bolts Washers & other hardware to be stainless steel.
8. SMPS Power Supply Cover to be light weight.
9. Over all Cabinet tray Dimensions to be fine-tuned with Electronics Boards.
10. Cover hinges to be of heavy duty. Power interface Boards should be mounted on Aluminum tray with sliders for easy maintenance. Slider to be of Better Quality - Smooth Sliding with proper weight capacity. Tray of lesser gauge sheet. Tray frame of 12 gauge only with Horizontal Stiffeners of 12 gauge where PCB Studs are required to be welded. At bottom 22 gauge sheet for EMI Blocking.
11. One Power Button.
12. Heavy duty Rubberized wheels for the cabinet, non-locking type.
13. Internal Matt finishing Chromating & Powder Coating - Blue (Bright) - Matt finish and with screen printing..
14. BHEL Logo.
15. Box handles for both sides for lifting the equipment. Over all Cabinet tray dimensions to be Fine-tuned with Electronics Boards & Transformers.
16. 3-phase Input and Output Termination on Separate plate 6" x 5".

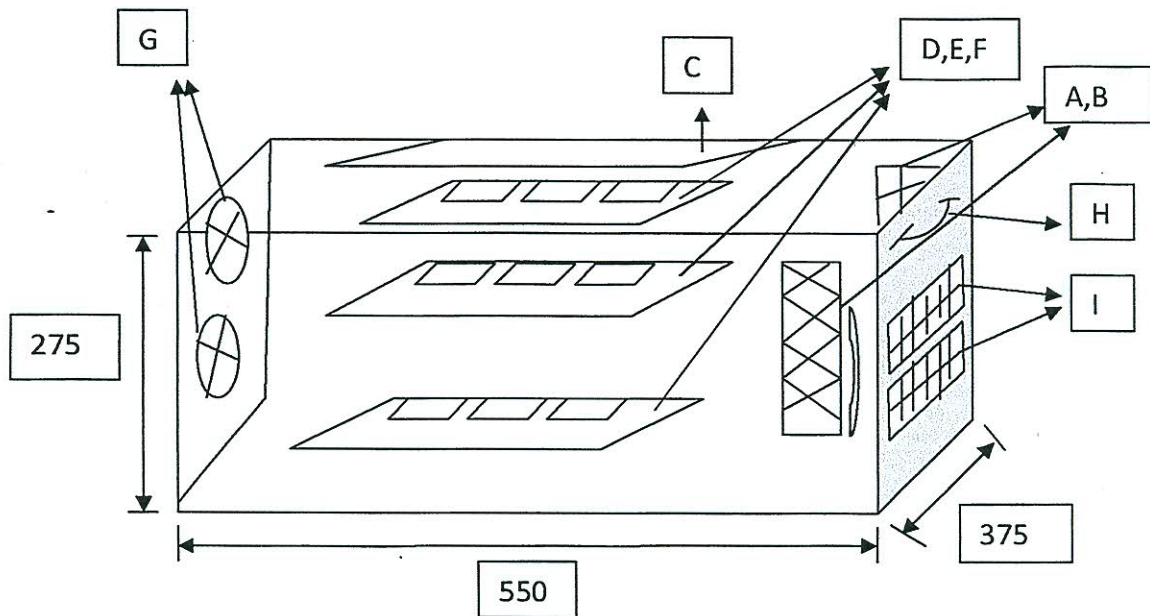
5). Embedded Box :

Aluminum enclosure fabrication 3.00 mm thickness of Embedded Box (280x200x125) mounting with EDEN Processor ,6 Layer Data Acquisition board & SMPS power supplies and with spare fixing as per enclosed mechanical diagram.

Note for Supplier :

1. Supplier should quote all inclusive material, fabrication charges ,powder coating, screen printing and other accessories fitted as per our BHEL specifications.
2. All brought out accessories should be reputed brand.
3. Prior sample approval to be taken from the indenter.
4. One Enclosure as a sample should be submitted for approval before taking remaining enclosure.
5. All mechanical operations should be done with CNC Laser cuttings

3- Φ POWER UNIT



Dimensions :-

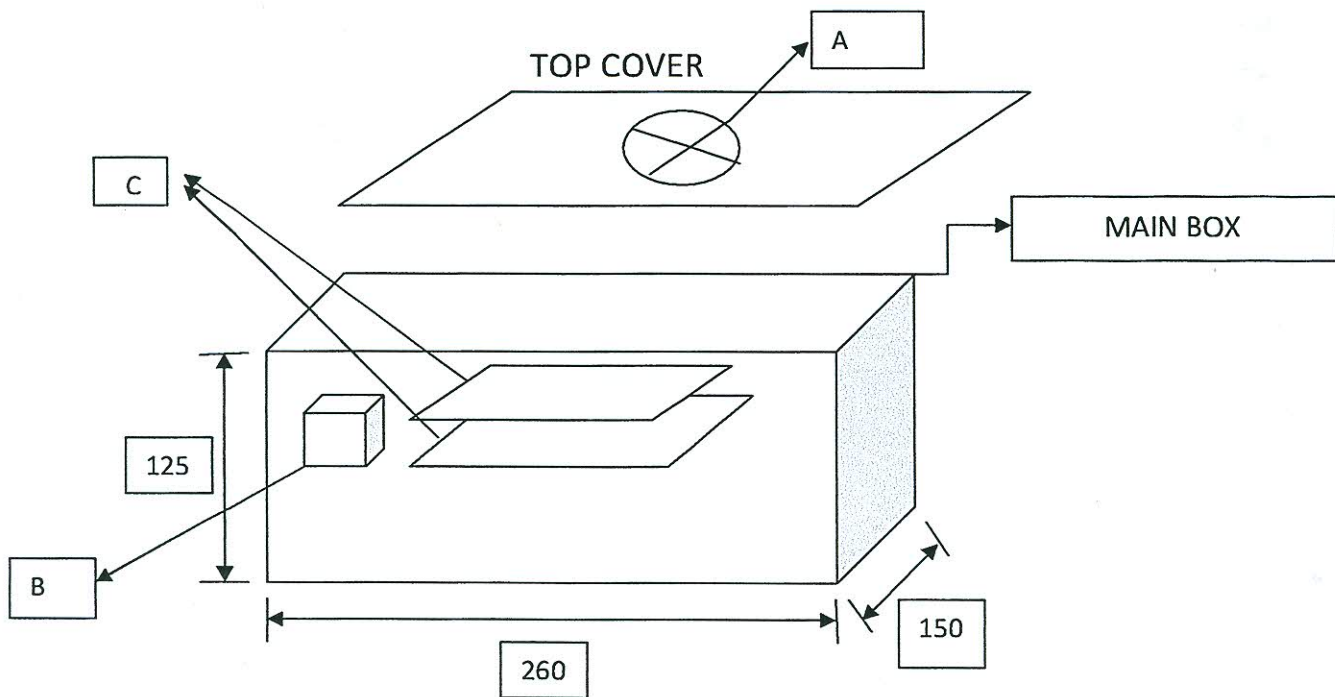
- HEIGHT =275 mm
- Length =550 mm
- Width =375 mm

Front door open with handle & Top open with cover

NAME OF THE PARTS :-

- A,B → 3- Φ PT & CT TRANSFORMERS
- C → SMPS Power Supply
- D,E,F → PT,CT & AUX CT Power Interface boards
- G → Fans
- H → Handles
- I → Ventilators

EMBEDDED BOX



Dimensions:-
 Height =125 mm
 Length =260 mm
 Width =150 mm

Name of parts :-

- A → Fan
- B → SMPS
- C → Embedded boards

Front side cut-outs

- C → Serial port cut out
- D → VGA port cut out
- E → DC Power supply
- F → Keyboard connector
- G → USB cut out