

BHEL

PRODUCT STANDARD

TC 58020

HYD

TURBINES & COMPRESSORS

REV NO: 00

PAGE 0 OF 3

THROTTLE VALVE

(FOR INTERNAL REFERENCE ONLY)

REMOVE THIS PREFACE SHEET BEFORE ISSUING TO SUPPLIER

DESIGNATION: THROTTLE VALVE Sheet to this standard shall be designated as follows:

ON DRAWINGS:

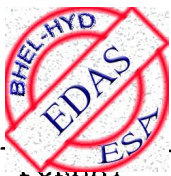
Material specification: TC 58020
Description: THROTTLE VALVE-DVE-8
Material code: TC 9785020013

ON INDENTS:

Material specification: TC 58020
Description: THROTTLE VALVE-DVE-8
Material code: TC 9758020013

ON ENQUIRIES & PURCHASE ORDERS:

A copy of this product standard shall be enclosed without preface sheet.



TD-201
REV-00

Prepared: DSR *[Signature]*

Approved: DSR *[Signature]*

Date: 17-10-95

COPYRIGHT AND CONFIDENTIAL

REF-DOC

The information on this document is the property of BHEL. It must not be used directly or indirectly in any way detrimental to the interest of the company

BHEL	PRODUCT STANDARD	TC 58020
		REV NO: 00
HYD	TURBINES & COMPRESSORS	PAGE 1 OF 3

THROTTLE VALVE

1.0 SCOPE:

This standard specifies the requirement of Throttle valve used in assembly of shaft lifting device of steam turbine.

2.0 TECHNICAL REQUIREMENTS:

	Var 01	Var 02
Flutec Type No	DVE-8	DVE10-1.1/0-P
Siemens (KWU) dwg No	47117-0036	
Siemens (KWU) TIN No	A59A72E13	A60K26C35

Catalogue reference Flutec No 5.176.1/2-91

3.0 GUARANTEE CERTIFICATE:

A guarantee certificate for 24 months of trouble free operation from the date of shipment or 12 months from the date of commissioning, whichever is earlier, shall be furnished.

4.0 DOCUMENTS:

Technical literature shall accompany the offer.

5.0 PACKING:

The material shall be properly packed to ensure that it is capable of withstanding transit risks without damage.

6.0 MARKING

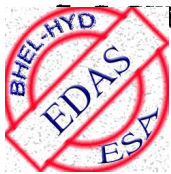
6.1. A tag bearing the relevant 12 digit material code of BHEL shall be attached for each item.

6.2 The following details shall be marked on packing case:

1. Manufacturer's name
2. BHEL order no.
3. BHEL standard no.

EL CODIFICATION:

Var 01	TC 975020013
Var 02	TC 975020021



FORMAT
TD-201
REV-00

Prepared: DSR *[Signature]* | Approved: DSR *[Signature]* | Date: 17-10-95

COPYRIGHT AND CONFIDENTIAL

REF-DOC

The information on this document is the property of BHEL. It must not be used directly or indirectly in any way detrimental to the interest of the company

FORM NO. 7

REF. DOC:

TD-106-1 REV. 1

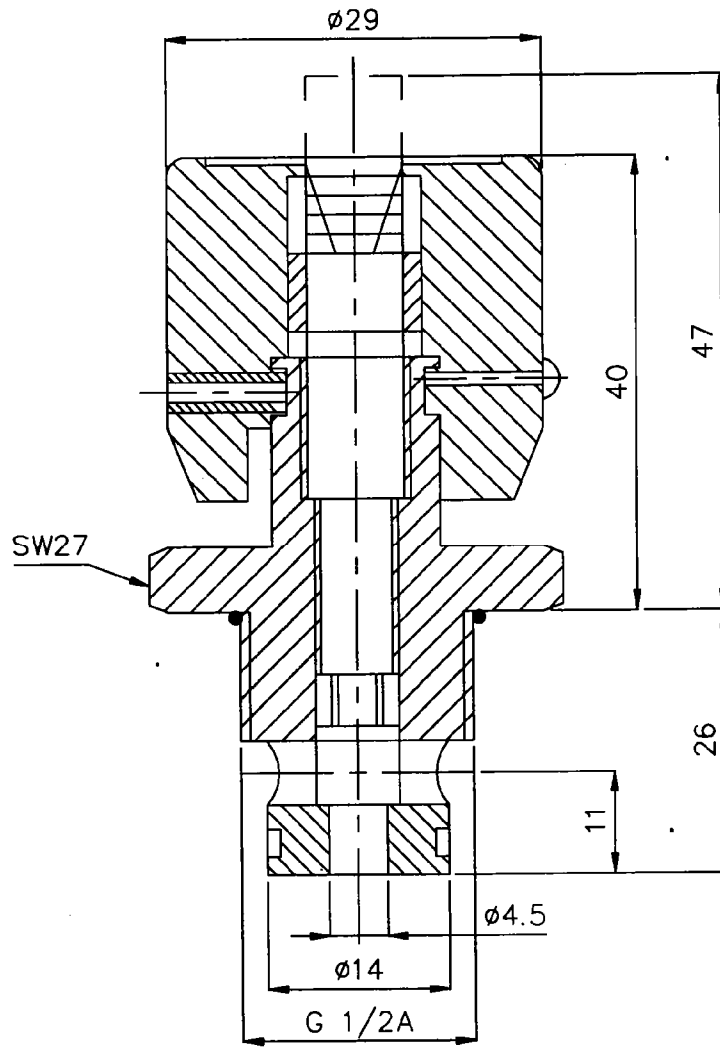


PRODUCT STANDARD
INDUSTRIAL TURBINES & COMPRESSORS

TC 58^{0.2.0.}

PAGE 02 OF 03

COPYRIGHT AND CONFIDENTIAL
The information on this document is the property of BHARAT HEAVY ELECTRIC LIMITED. It must not be used directly or indirectly in any way detrimental to the interest of the company



PE: -- DVE-8

RESTRICTED USE

CONCURRED: STANDARDS
REVISION: 00
DATE: 16.10.95

TITLE
THROTTLE VALVE

ISSUED: EDC(INDUSTRIAL TURBINES&COMPRESSORS)
HYDERABAD
Prepared: D.S.R
Approved: D.S.R
EDM(IT & C)
Date: 16.10.95

01.07.2009
13:50:45

This Drawing is printed from Engineering Digital Archive System (EDAS). Therefore signatures are not essentially required.

