



भारत हेवी इलेक्ट्रिकल्स लिमिटेड

(भारत सरकार का उपक्रम)

BHARAT HEAVY ELECTRICALS LIMITED

(A Govt. of India Undertaking)

TENDER CHANGE NOTE 01 (TCN – 01) DT: 10-04-2009

WITH REFERENCE TO THE NIT, PUBLISHED IN THE WEB SITES FOR CONSTRUCTION OF COVERED/SEMI-COVERED EQUIPMENT STORES, OFFICE, AREA GRADING, TEMPORARY ROADS, DRAINS & CULVERTS, RCC SLEEPER, FENCING ETC & MISC CIVIL ENABLING WORKS AT 1x500 MW THERMAL UNIT-CSEB KORBA WEST TPP, KORBA, CHATTISGARH, FOLLOWING DETAILS MAY PLEASE BE NOTED AND COMPLIED WHILE SUBMITTING THE OFFER FOR THE SUBJECT JOB.

REF: TENDER DOCUMENT NO- PSER-SCT- KBA-C992:09

All the interested bidders are requested to note the following two nos tentative tender purpose drawings for store, office , drain etc and also the tentative bar bending schedule.

BIDDERS TO NOTE THAT ALL TCNS WILL FORM PART OF TENDER SPECIFICATION & SPECIAL CONDITION OF CONTRACT OF TENDER DOCUMENT.

ALL OTHER TERMS & CONDITIONS OF THE TENDER SHALL REMAIN UNCHANGED.

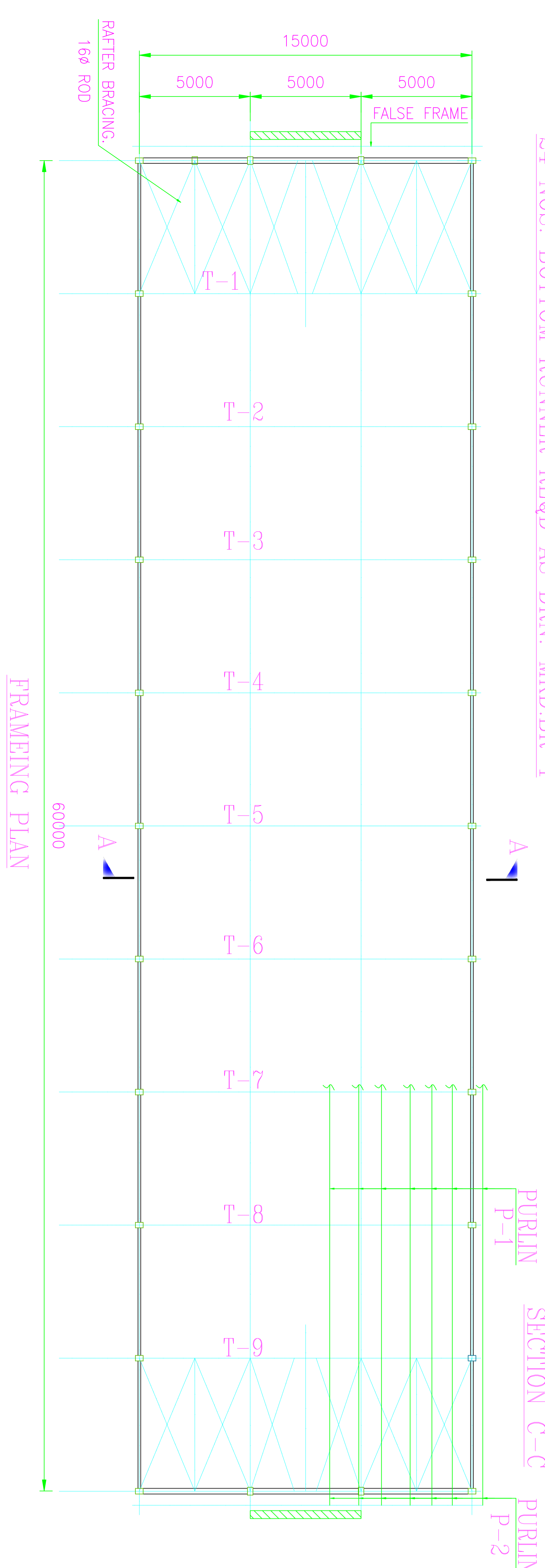
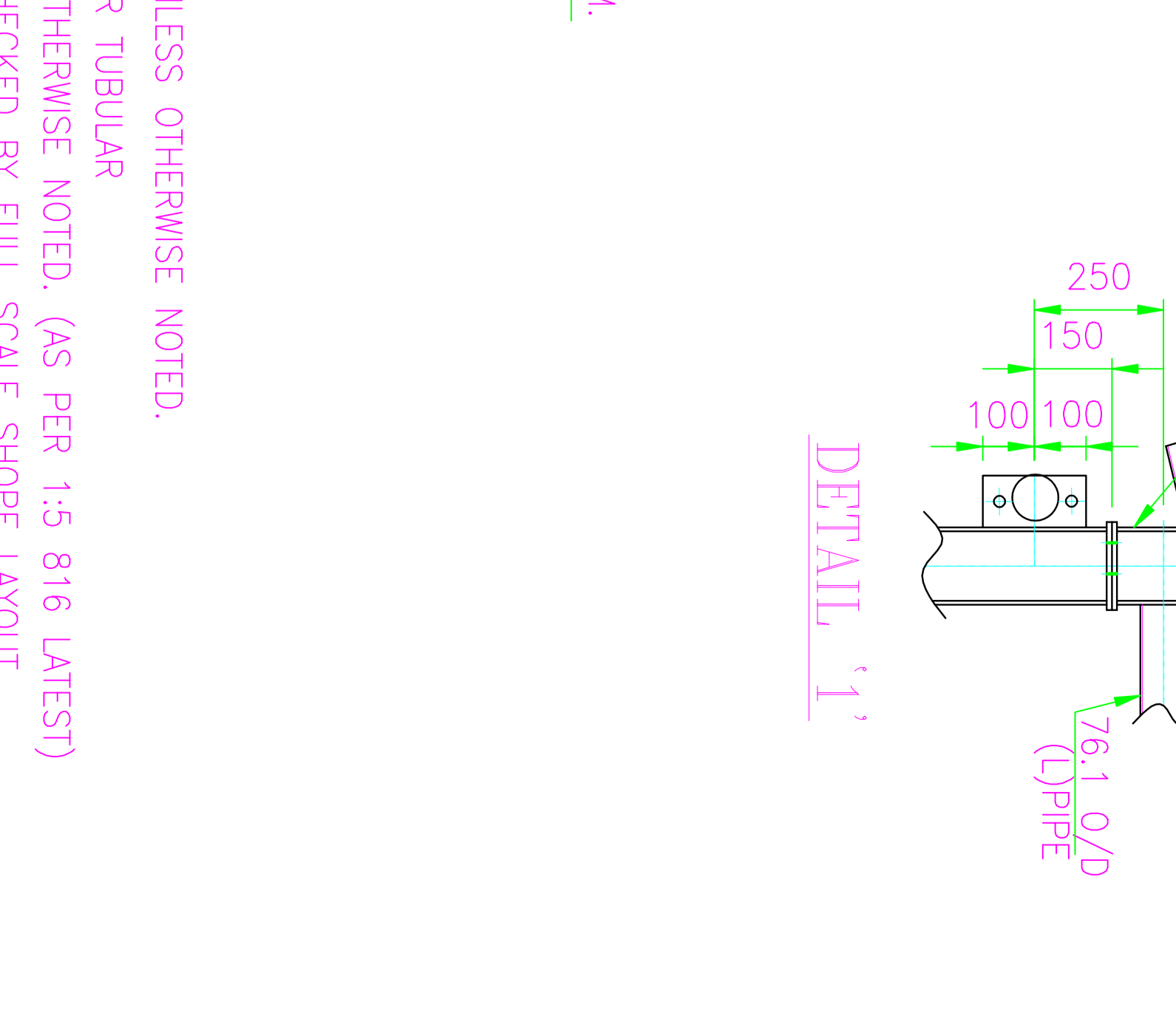
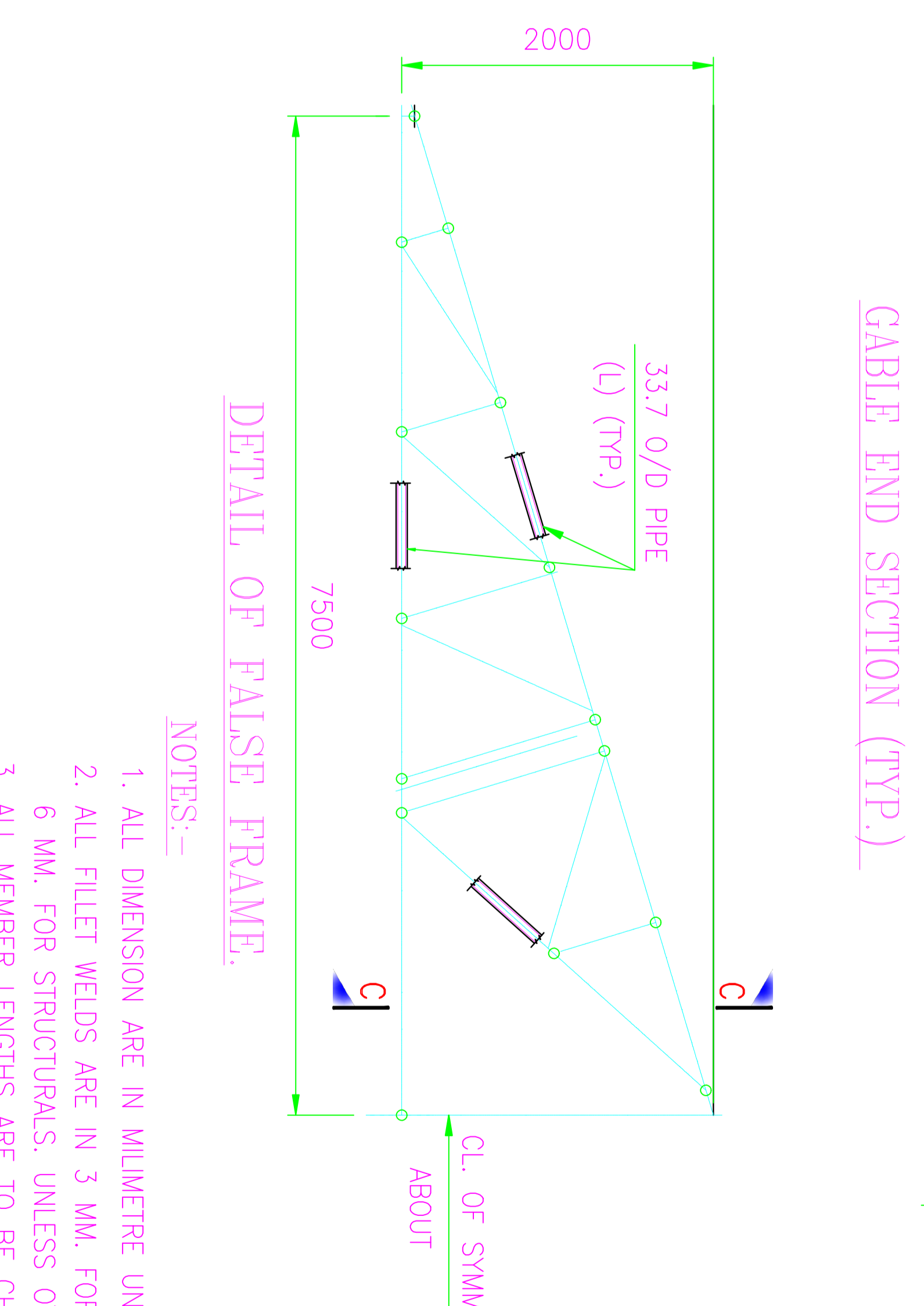
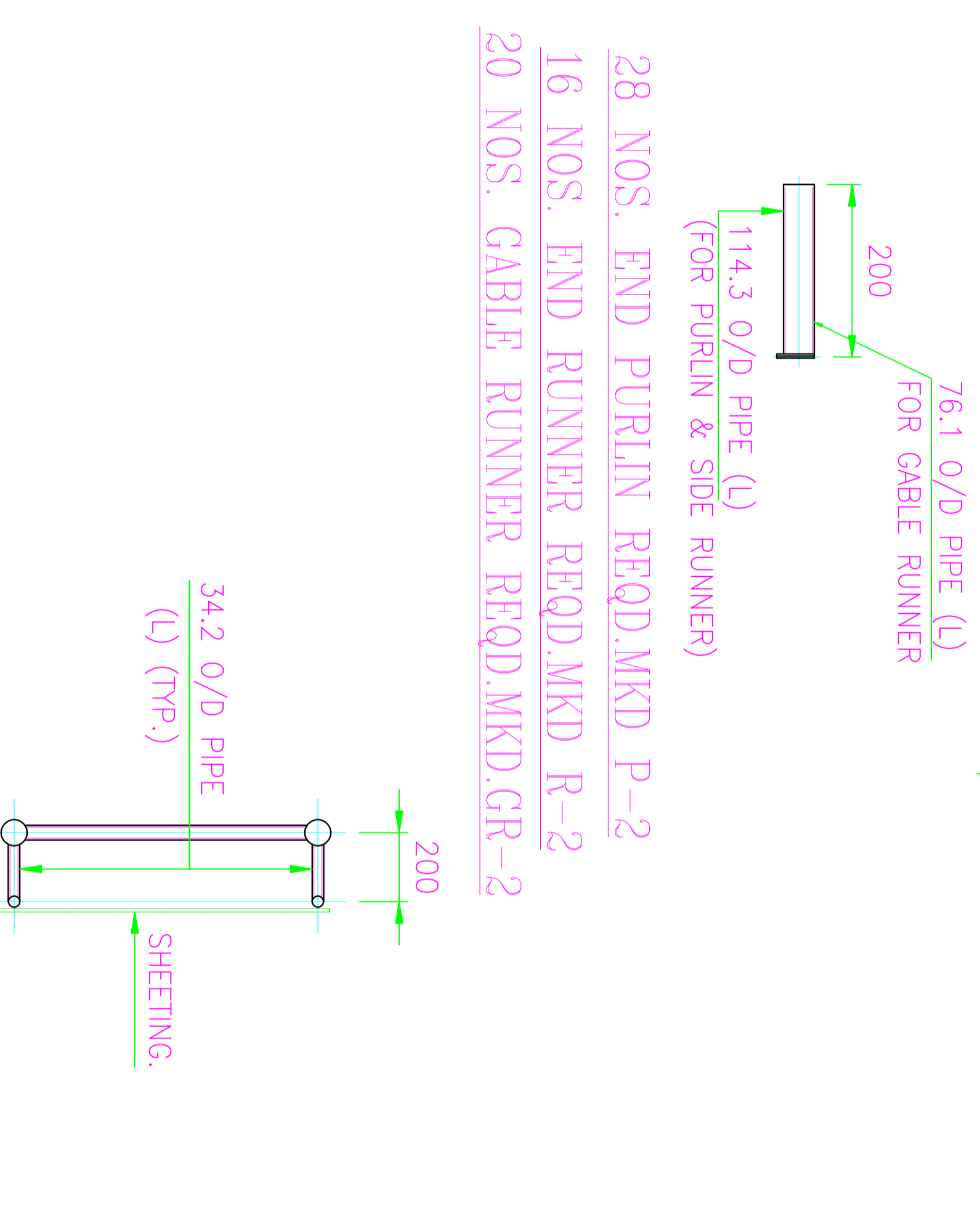
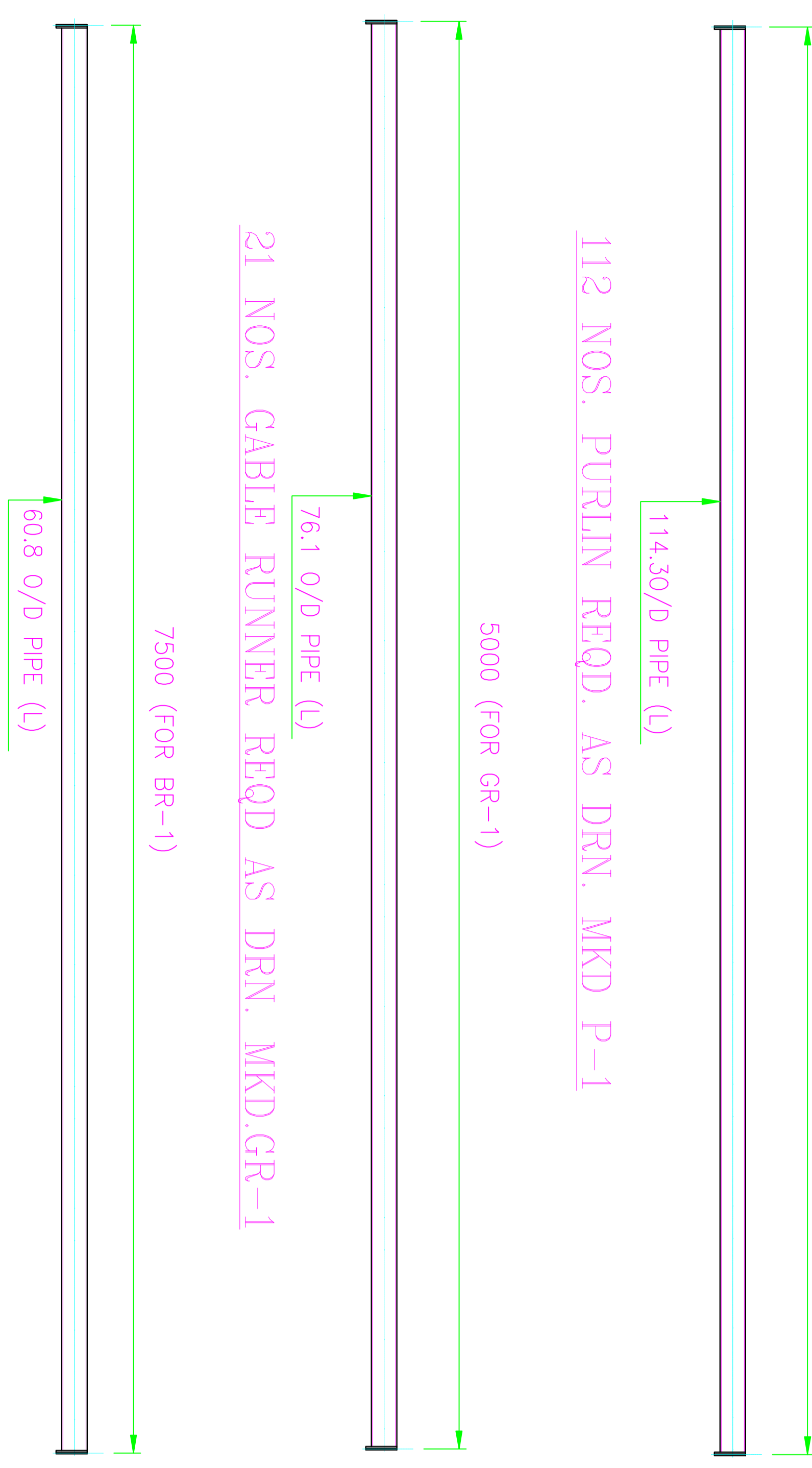
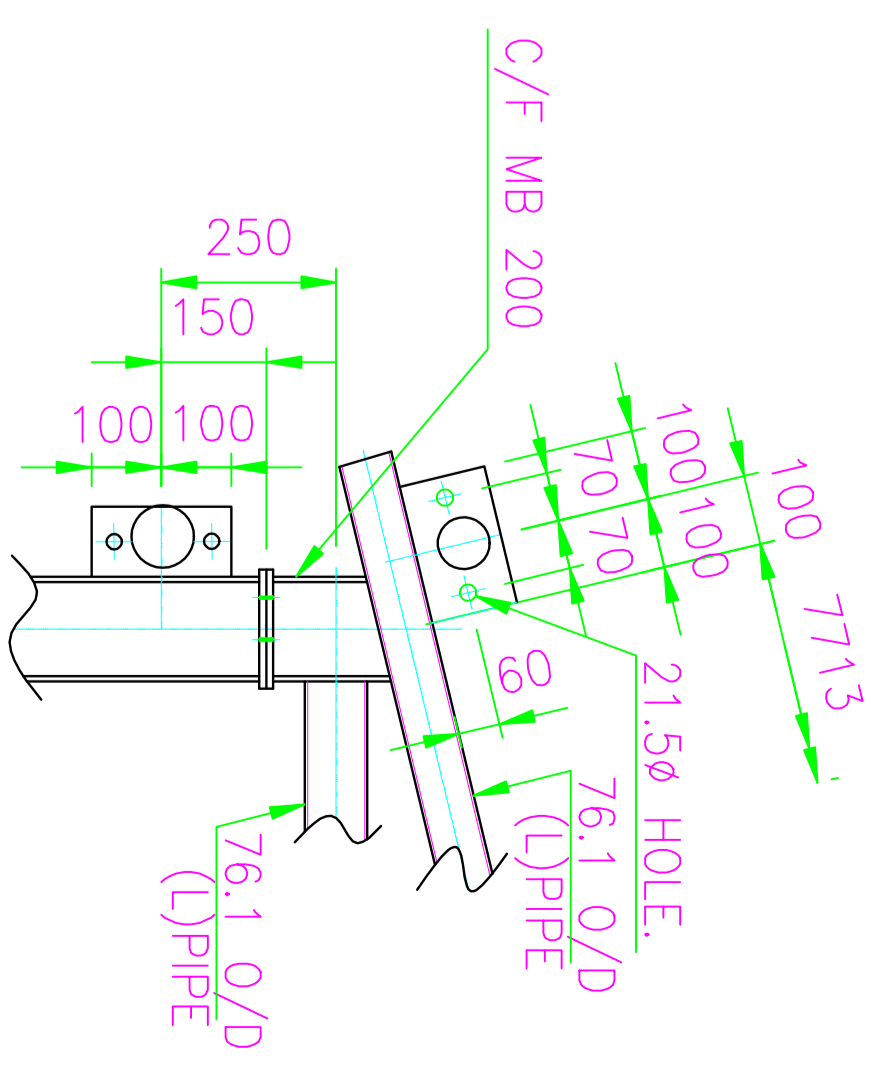
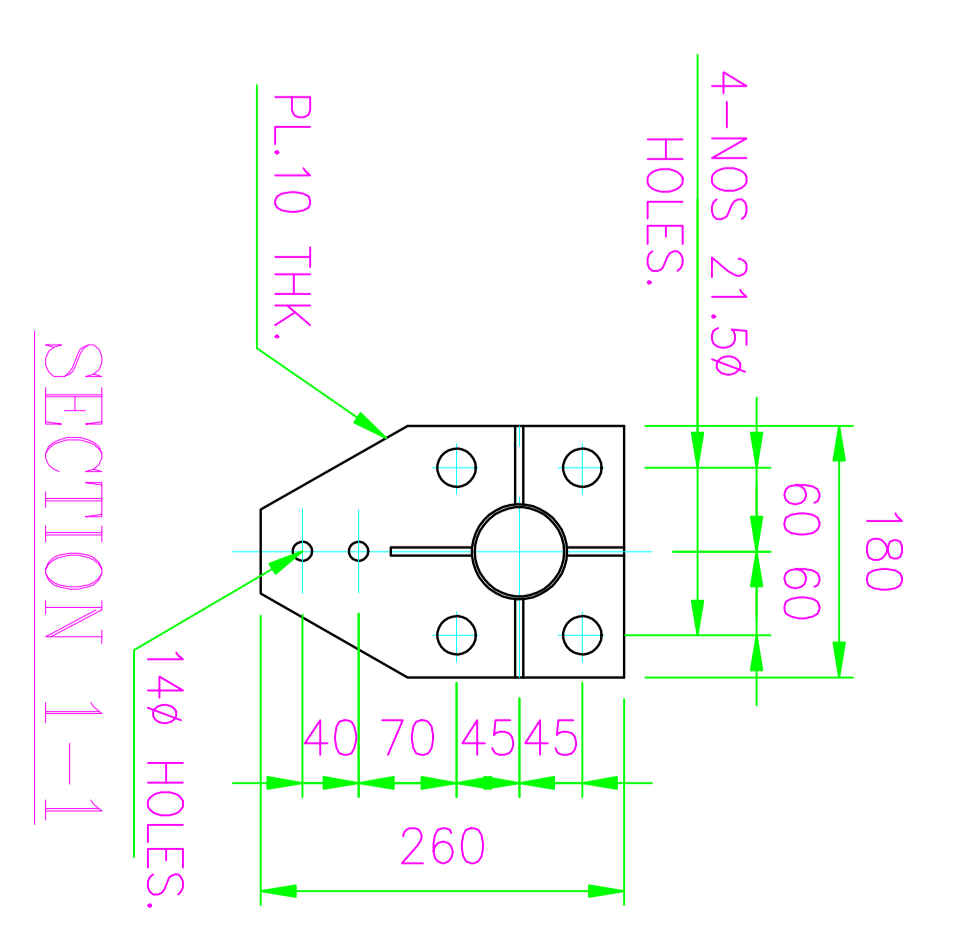
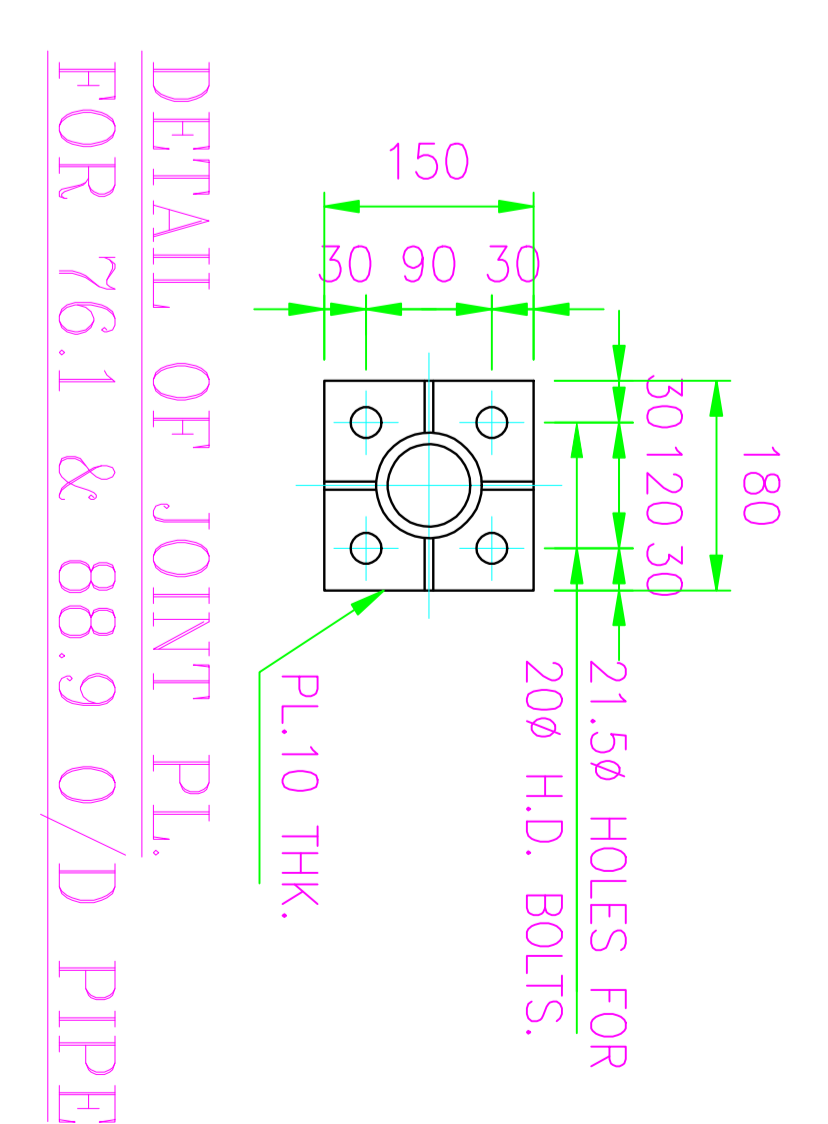
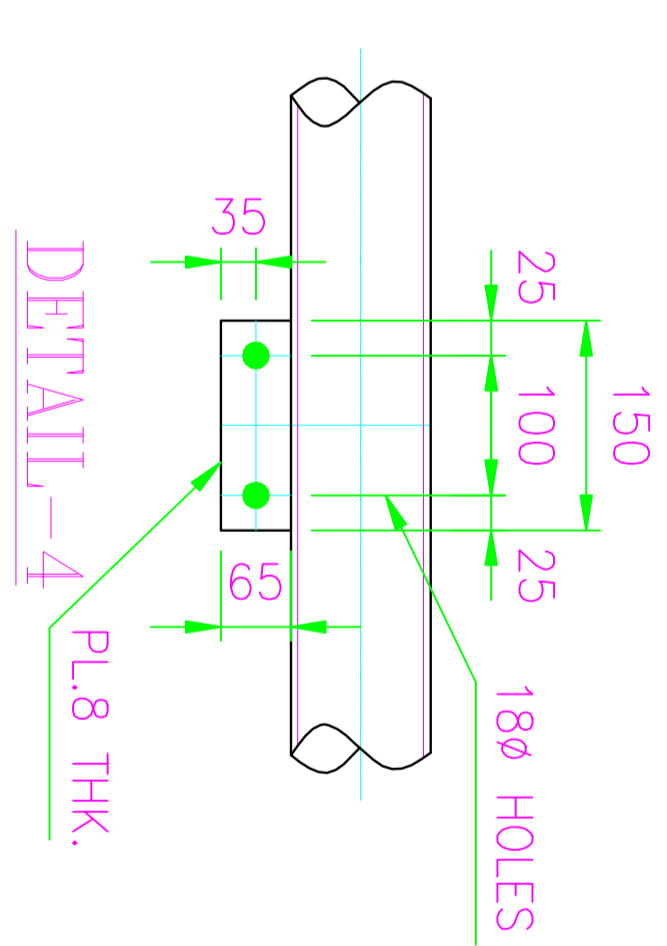
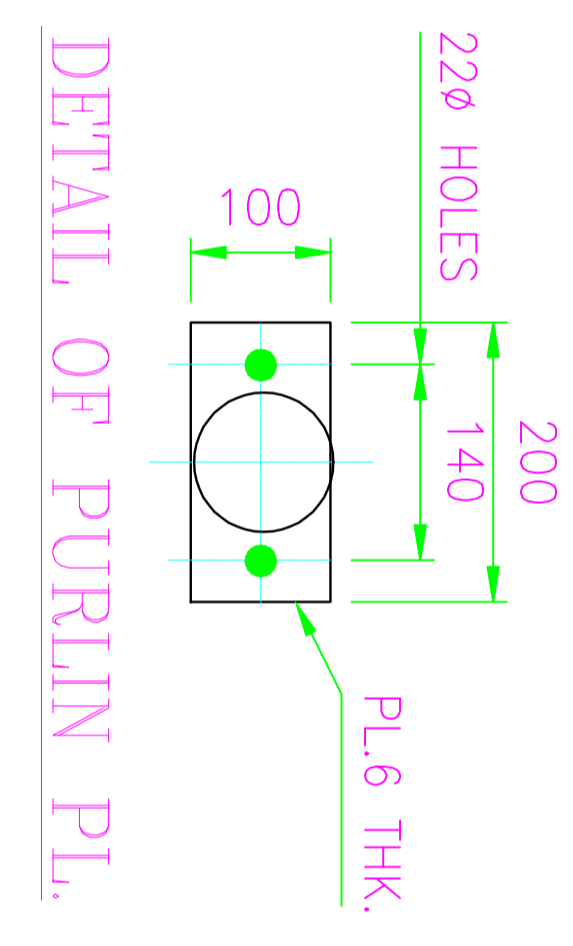
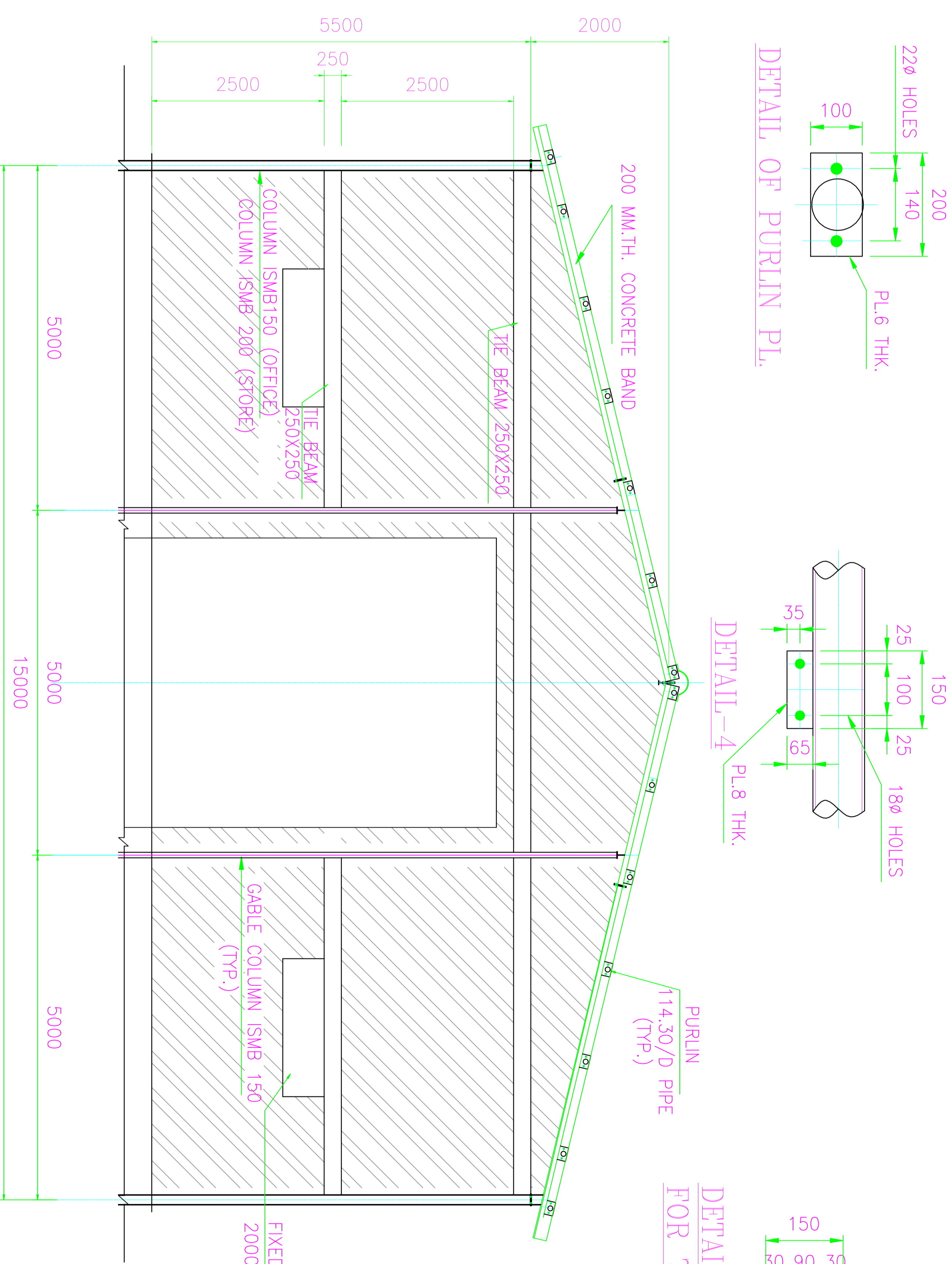
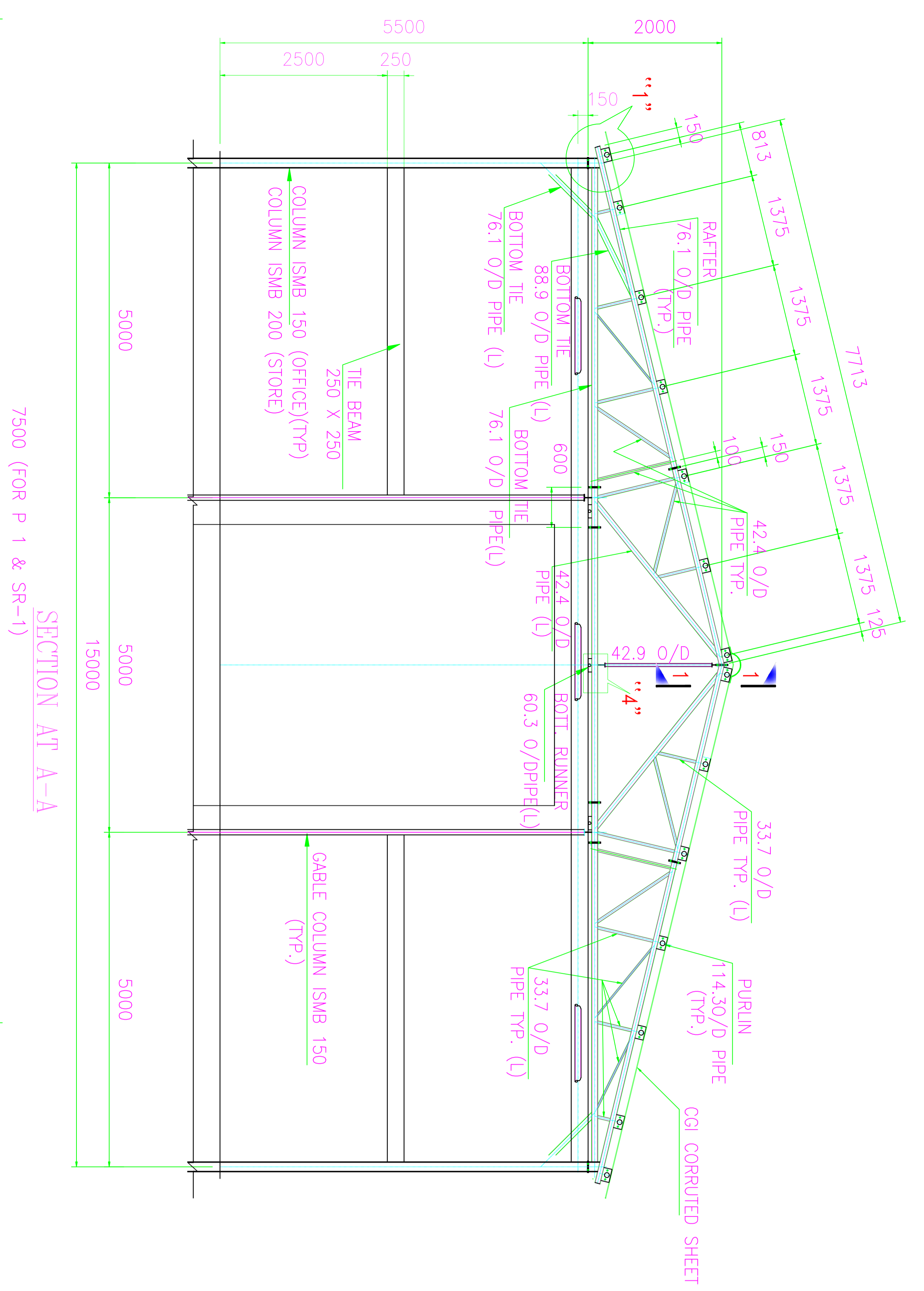
SDGM (SCT)

पावर सेक्टर पूर्वी क्षेत्र (मुख्यालय)

POWER SECTOR EASTERN REGION, DJ-9/1, SALT LAKE CITY, KOLKATA - 700 091

फैक्स/Fax : (033) 23211960

फोन/Phone : बोर्ड/EPABX : 23211691 / 1684



NOTES:-

1. ALL DIMENSION ARE IN MILLIMETRE UNLESS OTHERWISE NOTED.
 2. ALL FILET WELDS ARE IN 3 MM. FOR TUBULAR
 3. ALL MEMBER LENGTHS ARE TO BE CHECKED BY FULL SCALE SHOPE LAYOUT.
 4. STRUCTURAL DESIGN & DRAWING VETTED BY PROF. SAIBAL KR. GHOSH/REC/HOD CIVIL.
 5. OFFICE BUILDING HEIGHT IS 3 M.
 6. FOUNDATION, COLUMN, BEAMS ETC. SHALL BE OF RCC PROPORTION 1:1.5:3.
 7. FLOOR CONCRETING SHALL BE 1:2:4.
 8. ALL LEAN CONCRETE SHALL BE 1:4:8.
 9. PLINTH LEVEL OF BUILDING SHALL BE 500 MM HIGHER THAN EXISTING GL(FL).
 10. OUT SIDE PLASTERING WITH WATER PROOFING PAINT SHALL BE DONE.
- COVERED STORE/SEMI COVERED STORE (EXCEPTION)
1. INSIDE WALL PLASTERING NOT ENVIAGED, ONLY WHITE WASHING HAS BEEN CONSIDERED.
 2. STEEL FIXED WINDOW SHALL BE PLACED AT ALTERNATE SPAN CENTRE POSITION, JUST BELOW LINTEL BEAMS.SIZE OF EACH FIXED WINDOW SHALL BE 2M.X600 MM
 3. COVERED STORE HEIGHT IS 5.5 M.
 4. SEMI-COVERED STORE HEIGHT IS 3.2 M.

TENTATIVE DRAWINGS FOR TENDER PURPOSE

BHARAT HEAVY ELECTRICALS LIMITED.

CONTRACTOR :-

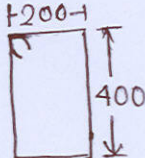
TITLE: ENABLING DRAWINGS FOR STORE, DRAIN, ROAD, OFFICE ETC.

DRN.	
CHKD.	
APPVD.	
SCALE	
DRG. NO.	
REV.	

TENTATIVE BAR BENDING SCHEDULE

SL NO	DESCRIPTION	DIA	NO	CUTTING LENGTH (APPROX)	SHAPE	REMARKS
1.	Foundation base.					
a.	Main Rod	16	15	1800M		
b.	Distribution Rod.	12	11	2.5 M		
2.	Column (450x500) MM For covered/Semi covered store					
a.	Main Rod.	25	8	2.272M (Varies)		
b.i)	Stirrup	8	14 (Varies)	1.844 M		
ii)	Stirrup	8	14 (Varies)	1.344 M		
3.	Column (350x450)					
a.	For office. Main Rod	25	8	2.272M (Varies)		
b.i)	For office Stirrup	8	14 (Varies)	1.544 M		
ii)	Stirrup	8	14 (Varies)	1.144 M		

TENTATIVE BAR BENDING SCHEDULE

SLNO	DESCRIPTION	DIA	NO	CUTTING LENGTH (APPROX)	SHAPE	REMARKS
4.	R.C.C. Plinth Beam (250x400) MM					
i)	Main Rod.	16	5			
ii)	Stirrup	8	950	1.344 M		
5.	R.C.C. Beam (250x250) MM					
i)	Main Rod.	12	6			
ii)	Stirrups	8	950	0.944 M	