



# भारत हेवी इलेक्ट्रिकल्स लिमिटेड

( भारत सरकार का उपक्रम )

## BHARAT HEAVY ELECTRICALS LIMITED

(A Govt. of India Undertaking)

TCN - 09

Ref: PSER:SCT:SRG-M1552:TCN-09

Date: 17-07-2014

Su b	Tender change notice (TCN) 09	
Job	Design, engineering, manufacturing, supply/delivery, erection & commissioning of Electro chlorination Package for RRVUNL, 2x660 MW, Stage-V, Unit # 7 & 8 Suratgarh Super Critical TPS, Rajasthan	
Ref	1.0	Tender no. PSER:SCT:SRG-M1552:14
	2.0	BHEL's NIT, vide reference no PSER:SCT:SRG-M1552:3752, dated 20-05-2014.
	3.0	BHEL's TCN-01, vide reference no: Ref: PSER:SCT:SRG-M1552:TCN-01, Dated 03.06.2014.
	4.0	BHEL's TCN-02, vide reference no: Ref: PSER:SCT:SRG-M1552:TCN-02, Dated 10.06.2014.
	5.0	BHEL's TCN-03, vide reference no: Ref: PSER:SCT:SRG-M1552:TCN-03, Dated 18.06.2014.
	6.0	BHEL's TCN-04, vide reference no: Ref: PSER:SCT:SRG-M1552:TCN-04, Dated 24.06.2014.
	7.0	BHEL's TCN-05, vide reference no: Ref: PSER:SCT:SRG-M1552:TCN-05, Dated 27.06.2014.
	8.0	BHEL's TCN-06, vide reference no: Ref: PSER:SCT:SRG-M1552:TCN-06, Dated 07.07.2014.
	9.0	BHEL's TCN-07, vide reference no: Ref: PSER:SCT:SRG-M1552:TCN-07, Dated 08.07.2014.
	10.0	BHEL's TCN-08, vide reference no: Ref: PSER:SCT:SRG-M1552:TCN-08, Dated 14.07.2014
	10.0	All other pertinent issues till date.

With reference to above, following points/ documents, relevant to tender, may please be noted and complied with while submitting offer.

- 1.0 Amendment - 4 to tech. spec. has been attached herewith.
- 2.0 Revised 'No deviation certificate' is attached. Bidder to submit 'No deviation certificate' as per attached format only.
- 3.0 All other terms & conditions shall remain unchanged.

Thanking you,

Yours faithfully,  
for BHARAT HEAVY ELECTRICALS LTD

SR. ENGR (SCT)

Encl :

1. Revised 'No deviation certificate' format (ANNEX-II).
2. Amendment-4 to tech. spec.

पावर सेक्टर पूर्वी क्षेत्र ( मुख्यालय )

POWER SECTOR EASTERN REGION, DJ-9/1, SECTOR-II, SALT LAKE CITY, KOLKATA - 700 091

फैक्स/Fax : (033) 23211960

फोन/Phone : बोर्ड/EPABX : 23211691, 23211798, 23211796

**FORMAT FOR NO DEVIATION CERTIFICATE**  
**(To be submitted in the bidder's letter head)**

BHARAT HEAVY ELECTRICALS LIMITED,  
Power Sector - Eastern Region,  
Plot no 9/1, DJ Block, Sector – II, Salt Lake City,  
Kolkata – 700 091

Sub	No Deviation Certificate.	
Job	Design, engineering, manufacturing, supply/delivery, erection & commissioning of Electro chlorination Package for RRVUNL, 2x660 MW, Stage-V, Unit # 7 & 8 Suratgarh Super Critical TPS, Rajasthan.	
Ref	1.0	Tender No. PSER:SCT:SRG-M1552:14.
	2.0	BHEL's NIT, vide reference no PSER:SCT:SRG-M1552:3752, dated 20-05-2014.
	3.0	BHEL's TCN-01, vide reference no: Ref: PSER:SCT:SRG-M1552:TCN-01, Dated 03.06.2014.
	4.0	BHEL's TCN-02, vide reference no: Ref: PSER:SCT:SRG-M1552:TCN-02, Dated 10.06.2014.
	5.0	BHEL's TCN-03, vide reference no: Ref: PSER:SCT:SRG-M1552:TCN-03, Dated 18.06.2014.
	6.0	BHEL's TCN-04, vide reference no: Ref: PSER:SCT:SRG-M1552:TCN-04, Dated 24.06.2014.
	7.0	BHEL's TCN-05, vide reference no: Ref: PSER:SCT:SRG-M1552:TCN-05, Dated 27.06.2014.
	8.0	BHEL's TCN-06, vide reference no: Ref: PSER:SCT:SRG-M1552:TCN-06, Dated 07.07.2014.
	9.0	BHEL's TCN-07, vide reference no: Ref: PSER:SCT:SRG-M1552:TCN-07, Dated 08.07.2014.
	10.0	BHEL's TCN-08, vide reference no: Ref: PSER:SCT:SRG-M1552:TCN-08, Dated 14.07.2014.
	11.0	BHEL's TCN-09, vide reference no: Ref: PSER:SCT:SRG-M1552:TCN-09, Dated 17.07.2014.
	12.0	Other references (if any).

Dear Sirs,

With reference to above, this is to confirm that as per tender conditions, we have visited site before submission of our offer and noted the job content & site conditions etc. We also confirm that we have not changed/ modified the tender documents as appeared in the website/ issued by you and in case of such observance at any stage, it shall be treated as null and void.

We hereby confirm that we have not taken any deviation from tender clauses together with other references as enumerated in the above referred NIT. We hereby confirm our unqualified acceptance to all terms & conditions, unqualified compliance to technical specification, integrity pact (if applicable) and acceptance to reverse auctioning process.

In the event of observance of any deviation in any part of our offer at a later date whether implicit or explicit, the deviations shall stand null & void.

We confirm to have submitted offer in accordance with tender instructions and as per aforesaid references.

Thanking you,

Yours faithfully,

(Signature, date & seal of authorised representative of the contractor)

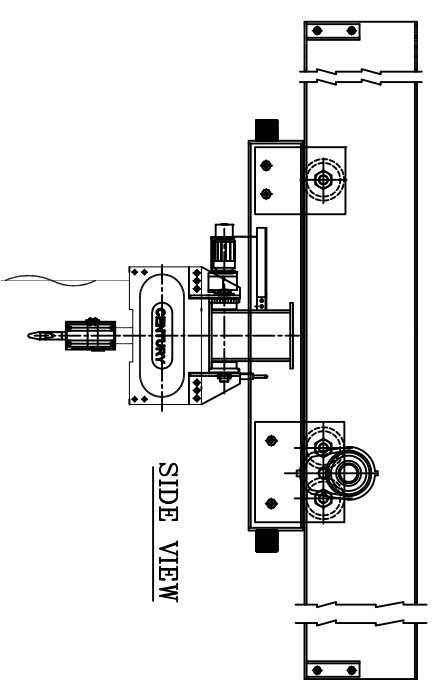
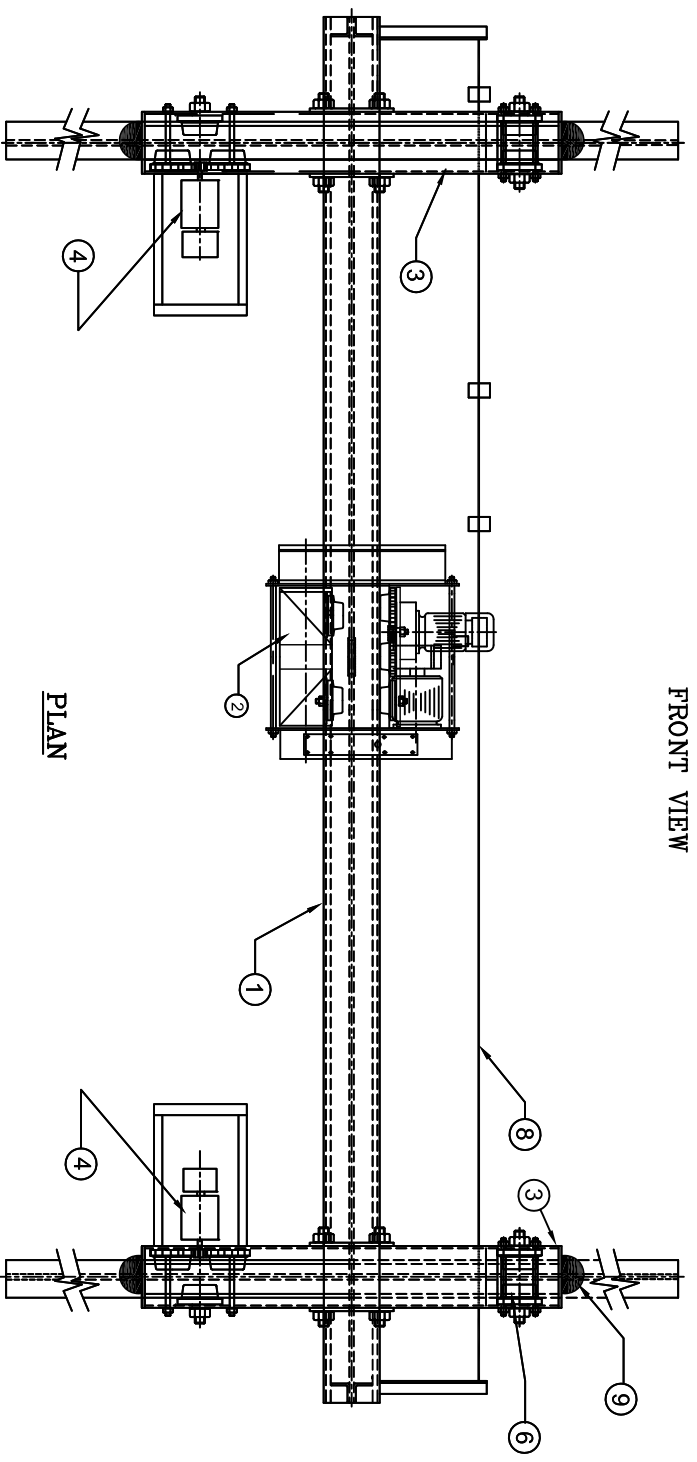
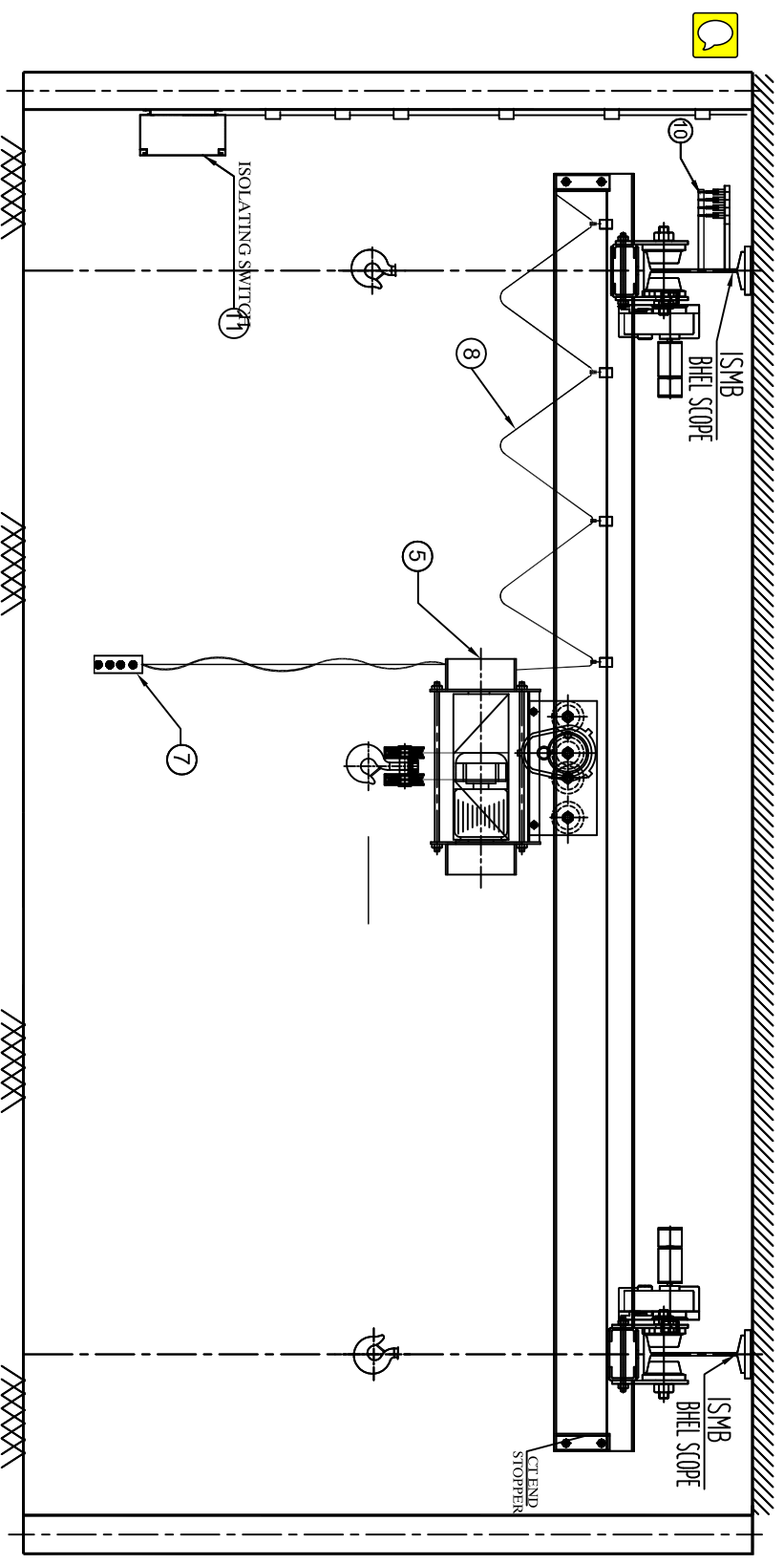
पावर सेक्टर पूर्वी क्षेत्र (मुख्यालय)

POWER SECTOR EASTERN REGION, DJ-9/1, SALT LAKE CITY, KOLKATA - 700 091

फैक्स/Fax : (033) 23211960

फोन/Phone : बोर्ड/EPABX : 23211691

TYPICAL G.A. OF SINGLE GIRDER UNDERSLUNG CRANE



S.NO.	DESCRIPTION
11	ISOLATING SWITCH BOX
10	LT DSL SHROUDED BUS BAR
9	RUBBER BUFFER
8	CT DSL (FLEXIBLE TRAILING CABLE)
7	PENDANT
6	LT WHEELS
5	CONTROL PANEL
4	LT DRIVING ASSY.
3	LT END CARRIAGE
2	HOIST ASSY.
1	MAIN GIRDER

NOTES:

- 1) CRANE ITS TRAILING CABLE , ISOLATING SWITCH AND ALL ACCESSORIES SHALL BE IN VENDOR'S SCOPE.
- 2) ONLY MONORAIL BEAM ON WHICH UNDERSLUNG CRANE SHALL TRAVEL IS IN BHEL SCOPE