



# भारत हेवी इलेक्ट्रिकल्स लिमिटेड

(भारत सरकार का उपक्रम)

## BHARAT HEAVY ELECTRICALS LIMITED

(A Govt. of India Undertaking)

TCN - 11

Ref: PSER:SCT:NKP-M1632:TCN-11

Date: 06-03-2015

Sub	Tender change notice (TCN) 11
Job	Design, engineering, manufacturing, supply/ delivery, erection, commissioning, trail run, handing over to customer, etc of Compressed Air System for NTPC, 3x660 MW, North Karanpura Super Thermal Power Project, Jharkhand.
Ref	1.0 Tender No. PSER:SCT:NKP-M1632:14
	2.0 BHEL's NIT, vide reference no PSER:SCT:NKP-M1632:14:4102 , Dated 04-12-2014.
	3.0 BHEL's TCN-01, vide reference no PSER:SCT:NKP-M1632:TCN-01, dated 20-12-2014.
	4.0 BHEL's TCN-02, vide reference no PSER:SCT:NKP-M1632:TCN-02, dated 23-12-2014.
	5.0 BHEL's TCN-03, vide reference no PSER:SCT:NKP-M1632:TCN-03, dated 03-01-2015.
	6.0 BHEL's TCN-04, vide reference no PSER:SCT:NKP-M1632:TCN-04, dated 09-01-2015.
	7.0 BHEL's TCN-05, vide reference no PSER:SCT:NKP-M1632:TCN-05, dated 14-01-2015.
	8.0 BHEL's TCN-06, vide reference no PSER:SCT:NKP-M1632:TCN-06, dated 27-01-2015.
	9.0 BHEL's TCN-07, vide reference no PSER:SCT:NKP-M1632:TCN-07, dated 28-01-2015.
	10.0 BHEL's TCN-08, vide reference no PSER:SCT:NKP-M1632:TCN-08, dated 07-02-2015.
	11.0 BHEL's TCN-09, vide reference no PSER:SCT:NKP-M1632:TCN-09, dated 16-02-2015.
	12.0 BHEL's TCN-10, vide reference no PSER:SCT:NKP-M1632:TCN-10, dated 27-02-2015.
	13.0 All other pertinent issues till date.

With reference to above, following points/ documents, relevant to tender, may please be noted and complied with while submitting offer.

- 1.0 Drawing 44089-11\_OGA, for GA of 500kW/4P motor for frame 1LA4400-4 with B35 mounting is attached for tendering purpose. It is to confirm that frame 1LA4404-4 applicable for 630kW/4P shall have same dimensions of frame 1LA4400-4.
- 2.0 GA drg for 710kW/3.3kV/4P motor for frame 1LA4450-4 with B35 mounting issued with TCN-10.
- 3.0 GA drgs of motor for 630kW/4P & 710kW/4P with B35 mounting issued with earlier TCNs. Both these motors are offered with Anti-friction bearings.
- 4.0 Revised 'No deviation certificate' as per enclosed Annexure-2. Bidder shall submit no deviation certificate as per enclosed format only.
- 5.0 All other terms & conditions shall remain unchanged.

Thanking you,

Yours faithfully,  
for BHARAT HEAVY ELECTRICALS LTD

ENGR (SCT)

Encl

1.0 As above.

पावर सेक्टर पूर्वी क्षेत्र (मुख्यालय)

POWER SECTOR EASTERN REGION, DJ-9/1, SECTOR-II, SALT LAKE CITY, KOLKATA - 700 091

फैक्स/Fax : (033) 23211960

फोन/Phone : बोर्ड/EPABX : 23211691, 23211798, 23211796

DRG. NO. 34020046637

**MOTOR FITMENTS**

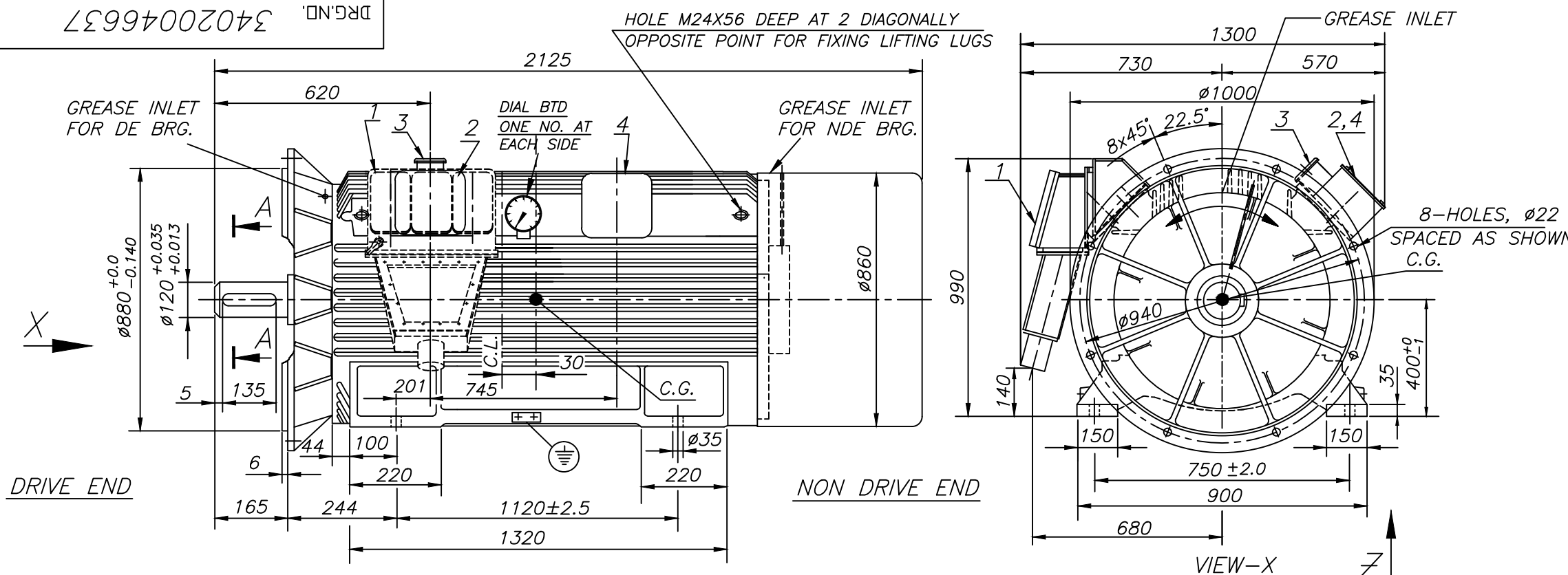
- (I) TERMINAL BOXES FOR :
  - 1 - STATOR (PSTB TYPE) 34020046637 SHT-2
  - 2 - ETD'S+BTD'S 34020046637 SHT-3
  - 3 - SPACE HEATERS 34020046637 SHT-4
  - 4 - NEUTRAL POINT 34020046637 SHT-5

- (II) TEMPERATURE SENSORS
  - (A) WDG. ETD'S 12 Nos. 3-WIRES PT. TYPE, 100 Ω AT 0°C (SIMPLEX)
  - (B) BEARING RTD'S 2 Nos. 3-WIRES PT. TYPE, 100 Ω AT 0°C (DUPLEX)
  - (C) 2 - NOS. DIAL TYPE BTD. (1 EACH AT DE & NDE BRGS)

- (III) OTHERS
  - SPACE HEATERS 2 NOS. TOTAL POWER 315 WATTS ( 630 WATTS EACH) 240 VOLTS, 50 Hz

- (IV) FANS : BI-DIRECTIONAL

- (V) HOLDING DOWN BOLTS:- 4xM30x120 LONG

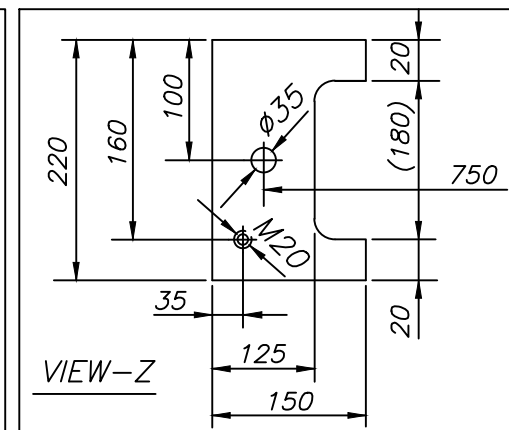
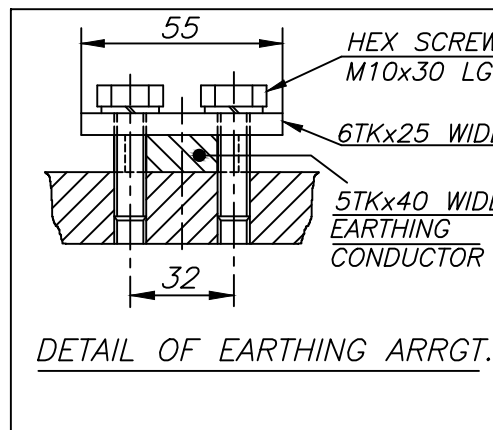
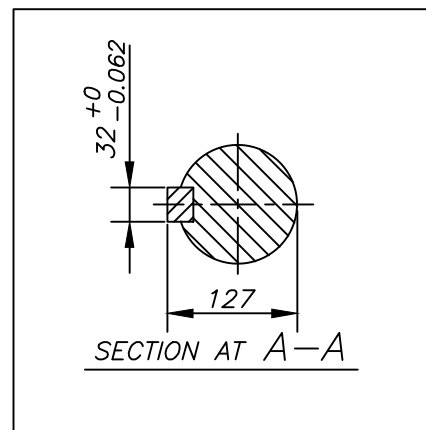


**NOTES :-**

- 1. 2 NOS. EARTHING SHALL BE PROVIDED OPPOSITE TO EACH OTHER.
- 2. MTB TO BE MADE ELETRICALLY BONDED WITH FRAME & 2 NOS. OF EARTHINGS, OPPOSITE TO EACH OTHER ON MOTOR FRAME SHALL BE PROVIDED.

**TECHNICAL DATA**

RATING	500	kW
SPEED (SYN)	1485	rpm
VOLTAGE 3 PHASE 50 Hz	6600	VOLTS
FULL LOAD AMP STATOR	54	AMP
APPROX. WEIGHT OF MOTOR	4250	kg
APPROX. WEIGHT OF ROTOR	950	kg
GD <sup>2</sup> OF ROTOR	46.4	kgm <sup>2</sup>
MAX. FOUNDATION LOADING (ALTERNATING) PER MOTOR LONGITUDINAL SIDE	9.5 kN UPWARDS 32 kN DNWARDS	
BEARINGS	DE	6228C3
	NDE	6224C3



LUBRICATION: GREASE	SERVOGEM-3 OF IOC OR EQUIVALENT
DIRECTION OF ROTATION VIEWED FROM DRIVE END	BI-DIRECTIONAL
PAINT SHADE SPECIFICATION	SHADE NO. 631 OF IS-5 EPOXY PAINT-LIGHT GREY.
TYPE OF ENCLOSURE	TEFC

ADDITIONAL INFORMATION W.O. NO. : 44089A415-11	TYPE OF PRODUCT : SQ. CAGE INDUCTION MOTOR NAME OF CUSTOMER : M/S ATLAS CAPICO NAME OF PROJECT : -	DRIVE : COMPRESSOR
---	--	--------------------

DISTRIBUTION OF PRINTS AME-1, TEX(IMM)-1 IMM-3, TFX-1	BHARAT HEAVY ELECTRICALS LTD. BHOPAL	DRN NAME K.N.P. SIGN. -sd- DATE 16.09.14 NO. OF VAR.
		CHD. J.K. SIGN. -sd- DATE 16.09.14
		APPD. M.K.M. SIGN. -sd- DATE 16.09.14

REV. 04 DATE 11.11.14 ALTD. - K.N.P. -sd- CHKD. - J.K. -sd- APPD. - J.K.	REV. 03 DATE 17.10.14 ALTD. - K.N.P. -sd- CHKD. - J.K. -sd- APPD. - M.K.M. -sd-	REV. 02 DATE 27.09.14 ALTD. - K.N.P. -sd- CHKD. - J.K. -sd- APPD. - M.K.M. -sd-	DEPT. AME GRADE OF UN. TOL. DIM. C/M/F	SCALE NTS	WEIGHT(KG.)	REF. TO ASSY. DRG.	ITEM NO.	NO. OF ITEMS
C.G., DIM. Ø860 & NOTE 2 ADDED. NOTE ADDED.			DRG. UPDATED AS PER CUSTOMER COMMENTS		TITLE OUTLINE GENERAL ARRGT. 1LA4400-4, TEFC, IP55, B35		CARD CODE	
DRAWING NO. 34020046637						SHEET NO. 01 NO. OF SHEETS 05		

THE INFORMATION ON THIS DOCUMENT IS THE PROPERTY OF BHARAT HEAVY ELECTRICALS LIMITED IT MUST NOT BE USED DIRECTLY OR INDIRECTLY IN ANY WAY DETRIMENTAL TO THE INTEREST OF THE COMPANY.

**FORMAT FOR NO DEVIATION CERTIFICATE**  
**(To be submitted in the bidder's letter head)**

BHARAT HEAVY ELECTRICALS LIMITED,  
Power Sector - Eastern Region,  
Plot no 9/1, DJ Block, Sector – II, Salt Lake City,  
Kolkata – 700 091

Sub	No Deviation Certificate.	
Job	Design, engineering, manufacturing, supply/ delivery, erection, commissioning, trail run, handing over to customer, etc of Compressed Air System for NTPC, 3x660 MW, North Karanpura Super Thermal Power Project, Jharkhand.	
.Ref	01	Tender No. PSER:SCT:NKP-M1632:14
	02	BHEL's NIT, vide reference no PSER:SCT:NKP-M1632:14:4102 , Dated 04-12-2014.
	03	BHEL's TCN-01, vide reference no PSER:SCT:NKP-M1632:TCN-01, dated 20-12-2014.
	04	BHEL's TCN-02, vide reference no PSER:SCT:NKP-M1632:TCN-02, dated 23-12-2014.
	05	BHEL's TCN-03, vide reference no PSER:SCT:NKP-M1632:TCN-03, dated 03-01-2015.
	06	BHEL's TCN-04, vide reference no PSER:SCT:NKP-M1632:TCN-04, dated 09-01-2015.
	07	BHEL's TCN-05, vide reference no PSER:SCT:NKP-M1632:TCN-05, dated 14-01-2015.
	08	BHEL's TCN-06, vide reference no PSER:SCT:NKP-M1632:TCN-06, dated 27-01-2015.
	09	BHEL's TCN-07, vide reference no PSER:SCT:NKP-M1632:TCN-07, dated 28-01-2015.
	10	BHEL's TCN-08, vide reference no PSER:SCT:NKP-M1632:TCN-08, dated 07-02-2015.
	11	BHEL's TCN-09, vide reference no PSER:SCT:NKP-M1632:TCN-09, dated 16-02-2015.
	12	BHEL's TCN-10, vide reference no PSER:SCT:NKP-M1632:TCN-10, dated 27-02-2015.
	13	BHEL's TCN-11, vide reference no PSER:SCT:NKP-M1632:TCN-11, dated 06-03-2015.
	14	All other pertinent issues till date.

Dear Sirs,

With reference to above, this is to confirm that as per tender conditions, we have visited site before submission of our offer and noted the job content & site conditions etc. We also confirm that we have not changed/ modified the tender documents as appeared in the website/ issued by you and in case of such observance at any stage, it shall be treated as null and void.

We hereby confirm that we have not taken any deviation from tender clauses together with other references as enumerated in the above referred NIT. We hereby confirm our unqualified acceptance to all terms & conditions, unqualified compliance to technical specification, integrity pact (if applicable) and acceptance to reverse auctioning process.

In the event of observance of any deviation in any part of our offer at a later date whether implicit or explicit, the deviations shall stand null & void.

We confirm to have submitted offer in accordance with tender instructions and as per aforesaid references.

Thanking you,

Yours faithfully,

(Signature, date & seal of authorized representative of the bidder)

<p>पावर सेक्टर पूर्वी क्षेत्र (मुख्यालय) POWER SECTOR EASTERN REGION DJ-9/1, SECTOR-II, SALT LAKE CITY, KOLKATA - 700 091 फैक्स/Fax : (033) 23211960 फोन/Phone : बोर्ड/EPABX : 23211691, 23211798, 23211796</p>
---