

ANNEXURE-I

TECHNICAL SPECIFICATIONS

1. Supply of modular work station of size 1500x1500x1200 mm height and 75 mm thick.

Double panel of partition made of aluminium in centre and extreme ends fitted with curvilinear table top made in 25mm thick pre-laminated board of approved colour and design with post formed finish of size 1500x1500x600 mm supported with end panels below table top in centre. Separate extractable key board tray has to be provided. Gable ends and end panels are to be given up to 1200 high for better look.

Top rails and posts side caps of aluminium extrusion duly powder coated of approved colour. All edges and panel connector profiles are capped with ABS and collared caps. In fills are of with 9 mm thick pre laminated board tiles on both sides. Some of the panels Facia/surface can be given in fabric / soft board / white board / magnetic pinup board. Double race way is to be provided one for power cables and other for Data cables . The race way is covered with 110 mm wide aluminium extracted plates from both sides and snap fitted with aluminium extruded race way clips. Skirting with metal capping like race way covers has to be given.

All the colours of board, fabric, and powder coating should be approved before manufacturing.

Each workstation table has to be provided with wire manager at the corner.

(Cluster of 2).....8 Nos

(A mockup can be shown by technically approved bidders before price bid opening)

2. Supply of modular work station of size 1500x1500x1200 mm height and 75 mm thick.

Double panel of partition made of aluminium in centre and extreme ends fitted with curvilinear table top made in 25mm thick pre-laminated board of approved colour and design with post formed finish of size 1500x1500x600 mm supported with end panels below table top in centre. Separate extractable key board tray has to be provided. Gable ends and end panels are to be given up to 1200 high for better look.

Top rails and posts side caps of aluminium extrusion duly powder coated of approved colour. All edges and panel connector profiles are capped with ABS and collared caps. In fills are of with 9 mm thick pre laminated board tiles on both sides. Some of the panels Facia/surface can be given in fabric / soft board / white board / magnetic pinup board. Double race way is to be provided one for power cables and other for Data cables . The race way is covered with 110 mm wide aluminium extracted plates from both sides and snap fitted with aluminium extruded race way clips. Skirting with metal capping like race way covers has to be given.

All the colours of board, fabric, and powder coating should be approved before manufacturing.

Each workstation table has to be provided with wire manager at the corner.

(Cluster of 3).....6 Nos

(A mockup can be shown by technically approved bidders before price bid opening)



K. Gout
6/3/14

3.Executive table

Table top made of 25mm thk prelaminated board of approved colour and design with post forming and having 0.7mm th laminate on top and 0.6 mm thick balancing laminate. 25mm thk. pre laminated board for gable ends and modesty ,exposed edges lipped with PVC tape. Table top has to be provided with wire manager.

(a).Size 1500 x 750 x 750mm high.....5 Nos

4. Side unit for Executive table:

Side unit is to be made up of 18mm thick prelaminated board of approved colour and shade for outer frame. One lock of approved make has to be fixed .Internal 3 shelves are to be made up of 18mm thick prelaminated board with equal spaces. Side unit should be fixed with sliding shutters with HETTICH channels and guides. Side unit pedestals would be provided with lockable castors on all four corners .All exposed edges are covered with 2mm thick PVC edging applied on automatic machine with hot melt glue.

Size 900 x450x750mm high5 nos

5. Storage unit-Big

Storage units are to be made up of 18mm thick prelaminated board of approved colour and design for outer frame and front shutters. One vertical partition has to be provided. Internal 3 shelves are to be made up of 18mm thick prelaminated board with equal spaces. Storage unit should be provided with four shutters and two locks of approved make and lockable castors on all four corners . All exposed edges are covered with 2mm thick PVC edging applied on automatic machine with hot melt glue.

Size 1500 x450x1200mm high11 nos

6. Storage unit-Small

Storage units are to be made up of 18mm thick prelaminated board of approved colour and design for outer frame and front shutters. One vertical partition has to be provided. Internal 3 shelves are to be made up of 18mm thick prelaminated board with equal spaces. Storage unit should be provided with two shutters and one lock of approved make and lockable castors on all four corners . All exposed edges are covered with 2mm thick PVC edging applied on automatic machine with hot melt glue.

Size 900 x450x1200mm high18 nos

B. Gout 6/3/14

7. Drawer unit:

Drawer units are to be made up of 18mm thick pre-laminated board of approved colour and design for outer frame. Internal 3 drawers to be made up of 12mm thick pre-laminated board .drawer will run on bottom mounted HETTICH channels. All 3 drawers are locked with one centre lock of HETTICH. The drawer pedestal s would be provided with lockable castors on all four corners. All exposed edges are covered with 2mm thick PVC edging applied on automatic machine with hot melt glue.

Size 400 x 550x675mm high39 nos

8.Mettalic CPU trolley :The CPU trolleys are made out of powder coated MS sheet with adjustable width front & back open and provided with 4 lockable castors to ease out the wire accessibility from the CPU.....39 Nos

9.Executive Medium back chairs: with synchrotilt mechanism, gas lift, revolving and tilt mechanism seat and back upholstered with foam rexin/fabric and PU moulded arm rests, with nylon base with twin wheel castors.....40 nos

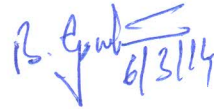
10. Installation & Commissioning: Installation & Commissioning is in the supplier scope

11. Pre Qualification Criteria:

a) Suppliers should have executed 3 similar works in Govt. Organizations / PSUs. At least one of them should be minimum value of Rs. 6 lakhs and should have been executed in the last two years as on Tender due date.

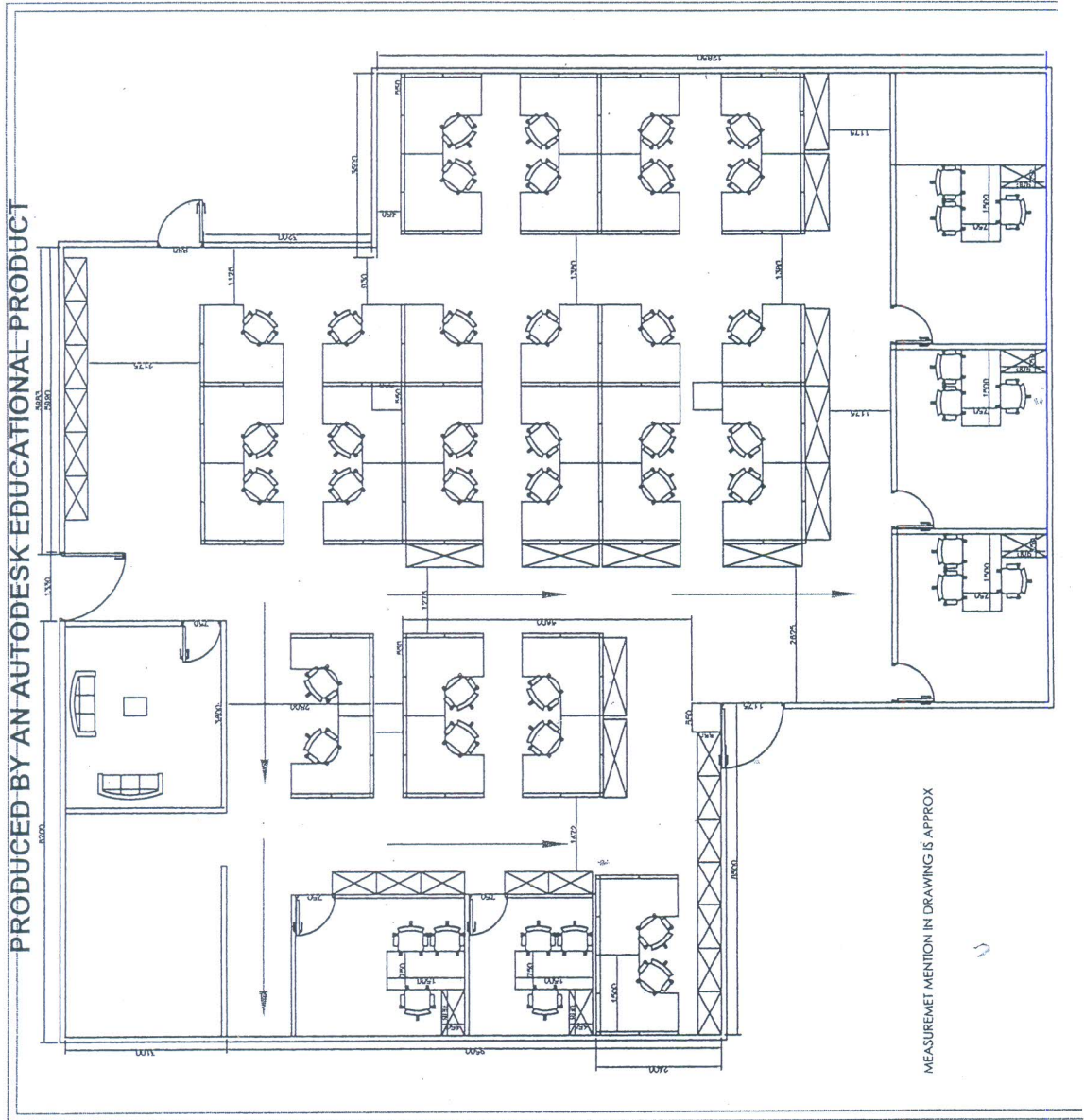
b) Proof the above should be attached along with the technical bid. Failure to submit the same leads to technical rejection.





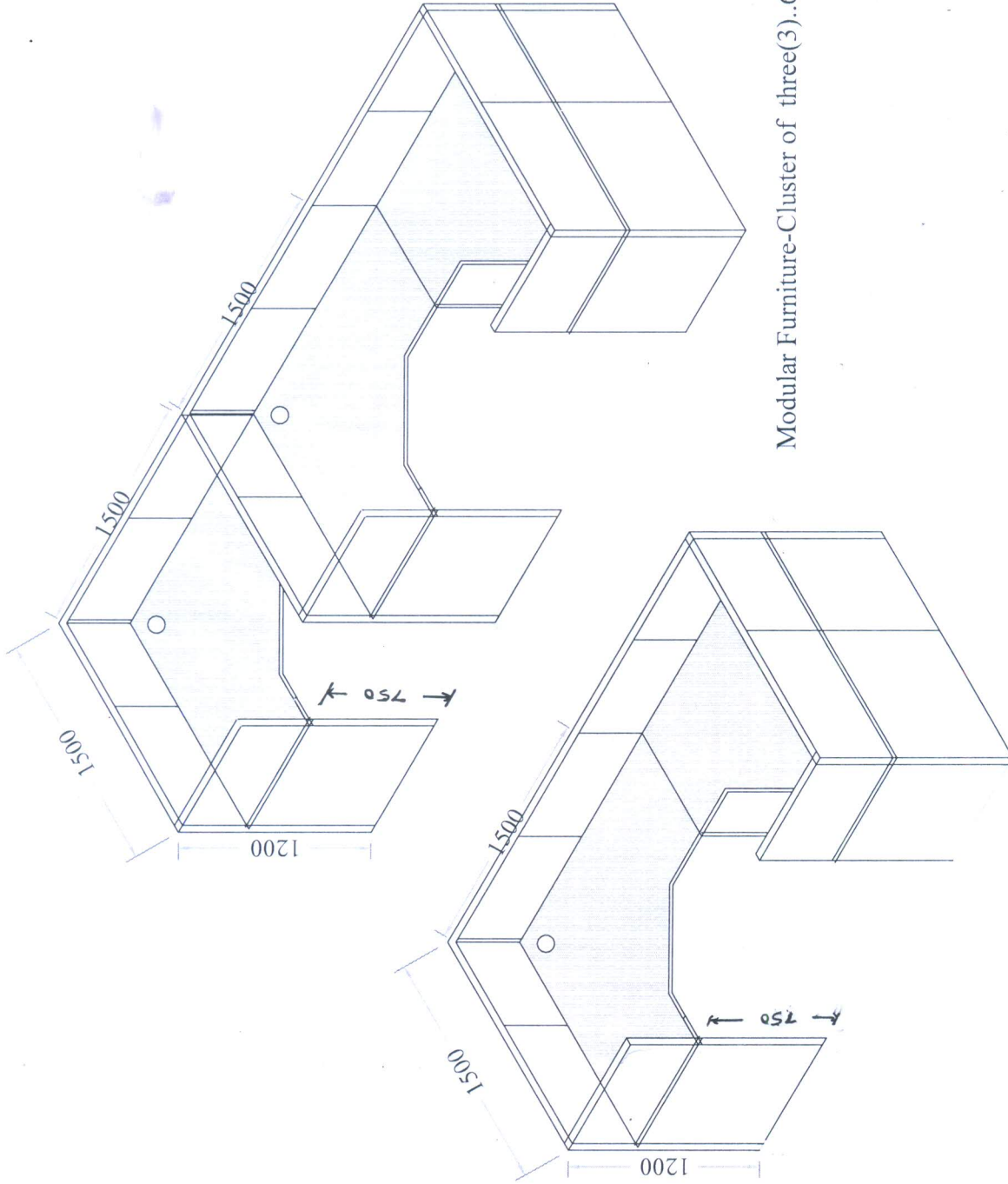
PRODUCED BY AN AUTODESK EDUCATIONAL PRODUCT

Proposed Modular Seating for MM/Purchase Dept



PRODUCED BY AN AUTODESK EDUCATIONAL PRODUCT

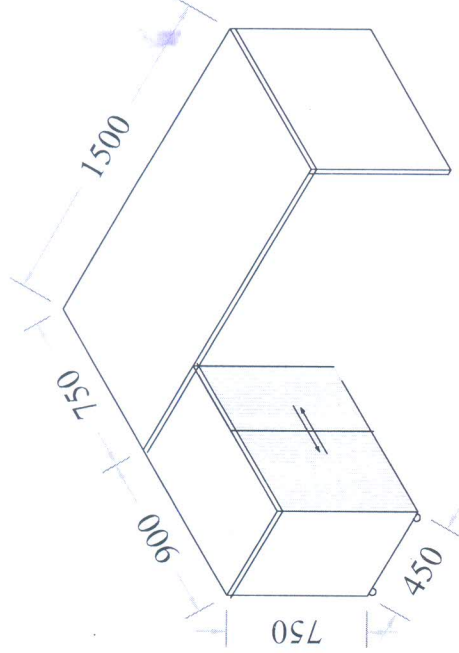
PRODUCED BY AN AUTODESK EDUCATIONAL PRODUCT



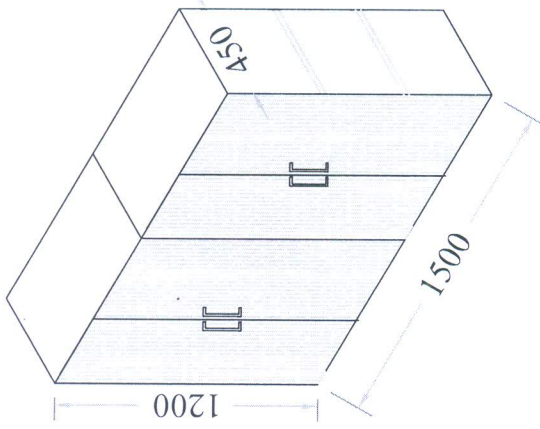
Modular Furniture-Cluster of three(3)..6Nos

Modular Furniture-Cluster of TWO(2) (8 Nos)

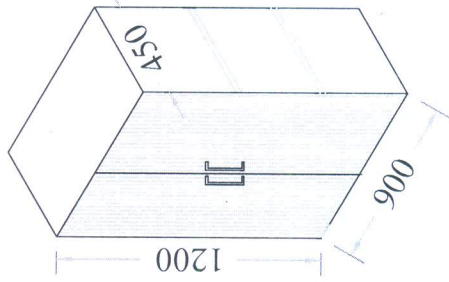
PRODUCED BY AN AUTODESK EDUCATIONAL PRODUCT



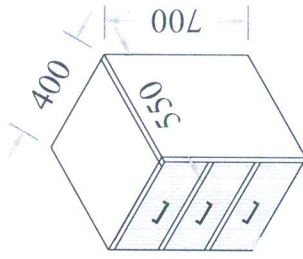
Executive table with Side unit..5 Nos



Storage Unit-Big..11 Nos



Storage Unit-Smal..18 Nos



Drawer unit(Pedastal)..39 Nos