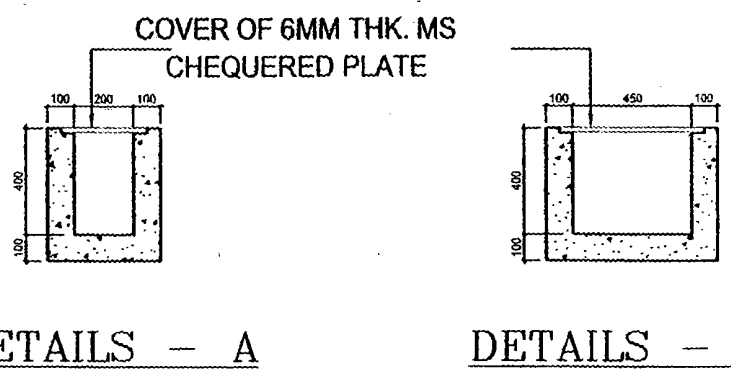
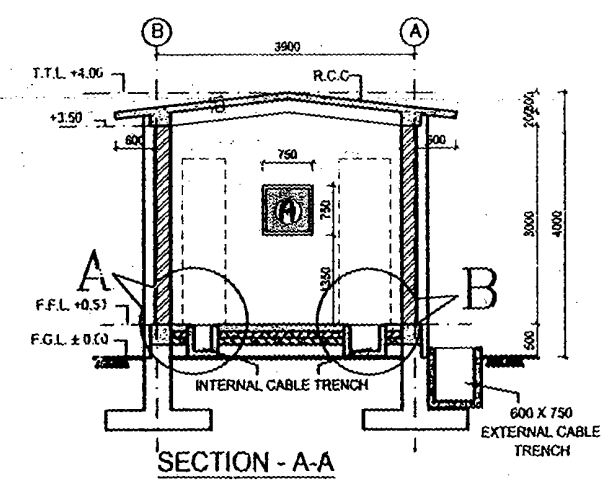
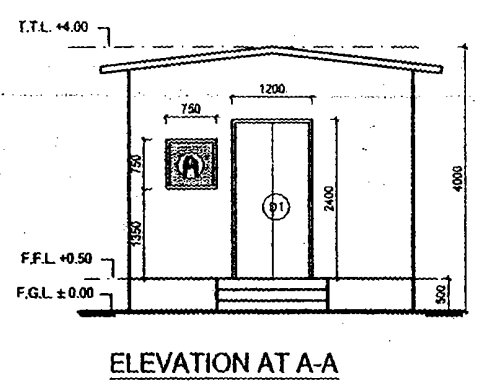
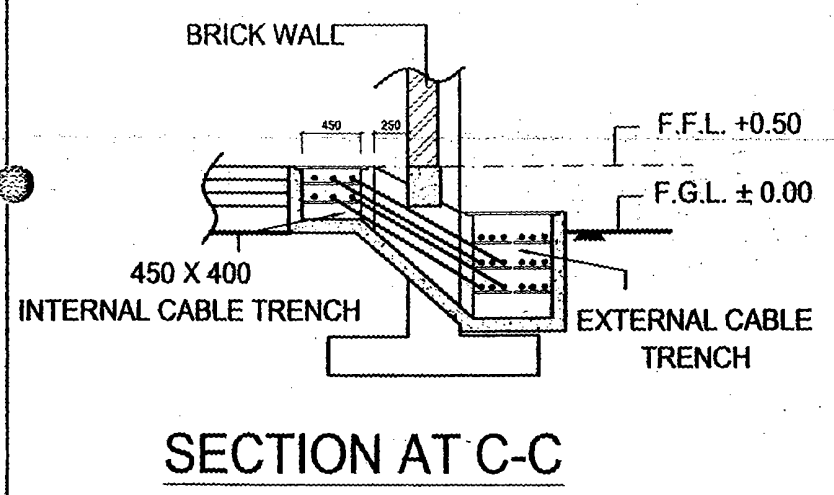


Door/Window Schedule				
Doors				
Typ.	Size	Description		
D1	1200 x 2400	FIRE PROOF STEEL DOOR		
D2	750 x 2100	FIRE PROOF STEEL DOOR		
Windows				
Typ.	Size	Lintel	Sill	Description
A	750 x 750	2100	1350	OPENING FOR FIXING AC

NOTE :-

- ALL DIMENSIONS ARE IN MM. AND LEVELS ARE IN MTR.
- OPENINGS ARE PROVIDED FOR INSTALLATION OF ACs. IN CASE ONE AC IS PROVIDED, OTHER OPENING SHALL BE CLOSED.
- 22G x 12 MM. CHICKEN WIRE MESH TO BE PROVIDED FOR ALL WALL, FLOORING AND ROOF. CHICKEN WIRE MESH SHALL BE CONNECTED WITH EARTHING SYSTEM THROUGH 75 x 12MM FLAT FIXED ON DIAGONALLY OPPOSITE COLUMNS ON ITS OUTER SURFACE



RELEASED FOR TENDER/CONSTRUCTION

POWER GRID CORPORATION OF INDIA LIMITED
(A Government of India Enterprise)

0.									
REV.	DESCRIPTION	CIVL.	REVD.	REVD.	MECH.	ELEC.	REVD.	APPD.	DATE.

CLEARED BY

PROJECT :	400/220 KV SUB-STATION
TITLE :	STANDARD SWITCHYARD PANEL ROOM ARCHITECTURAL DRAWING OF PANEL ROOM
DRAWING NO.	C-ENGG-STD-PR-ARCH-3000
SCALE	1:50
REV.	0