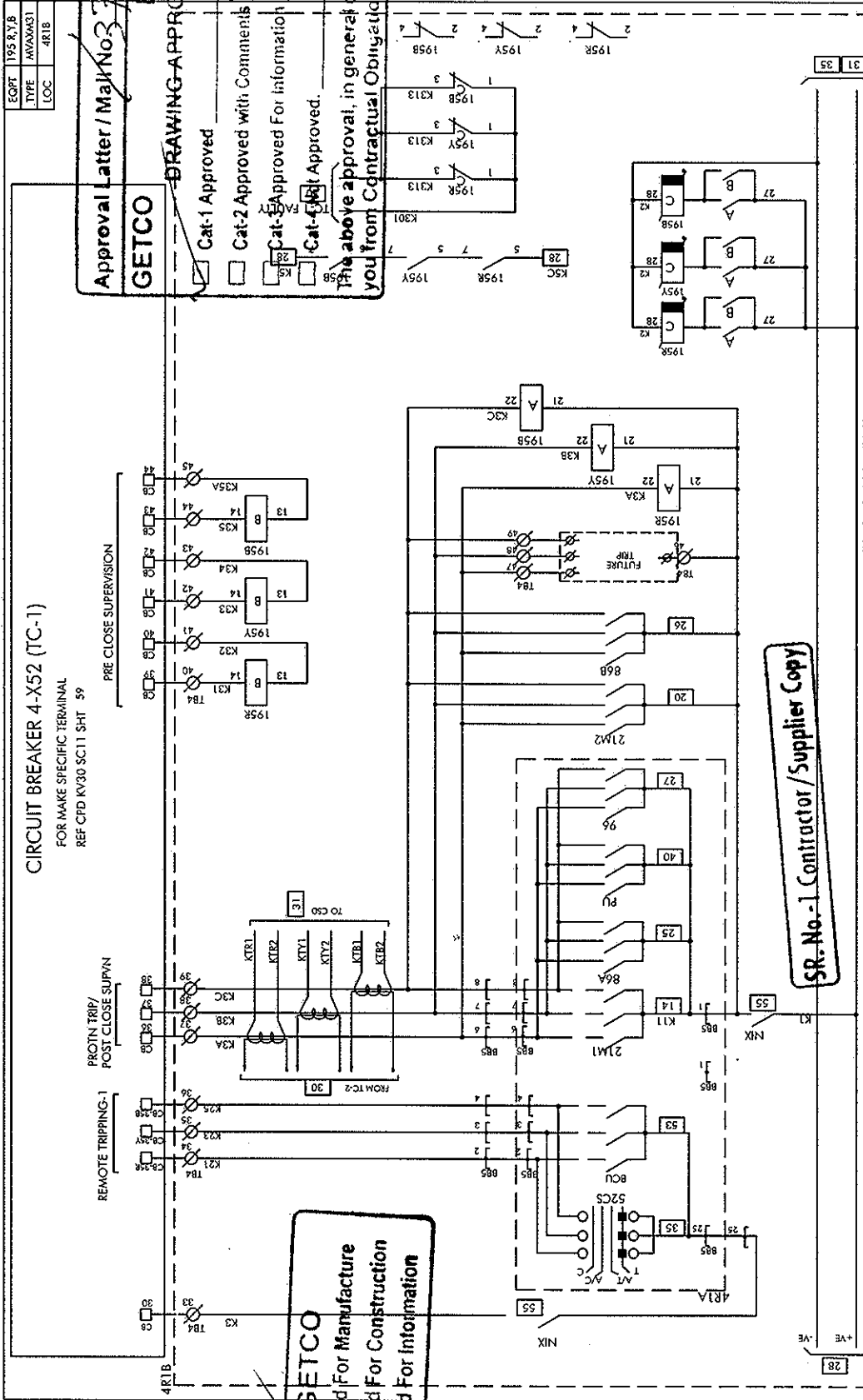


EQPT.	195 & 7 B
TYPE	ANVARAS1
LOC	4RTB

CIRCUIT BREAKER 4-X52 (TC-1)

FOR MAKE SPECIFIC TERMINAL
REF CPD KV30 SC11 SHT 59



Approval Letter / Mail No 376 of 1-23

GETCO

DRAWING APPROVAL

Cat-1 Approved

Cat-2 Approved with Comments

Cat-3 Approved For Information

Cat-4 Not Approved

The above approval, in general, does not absolve you from Contractual Obligations.

GETCO

Released For Manufacture

Released For Construction

Released For Information

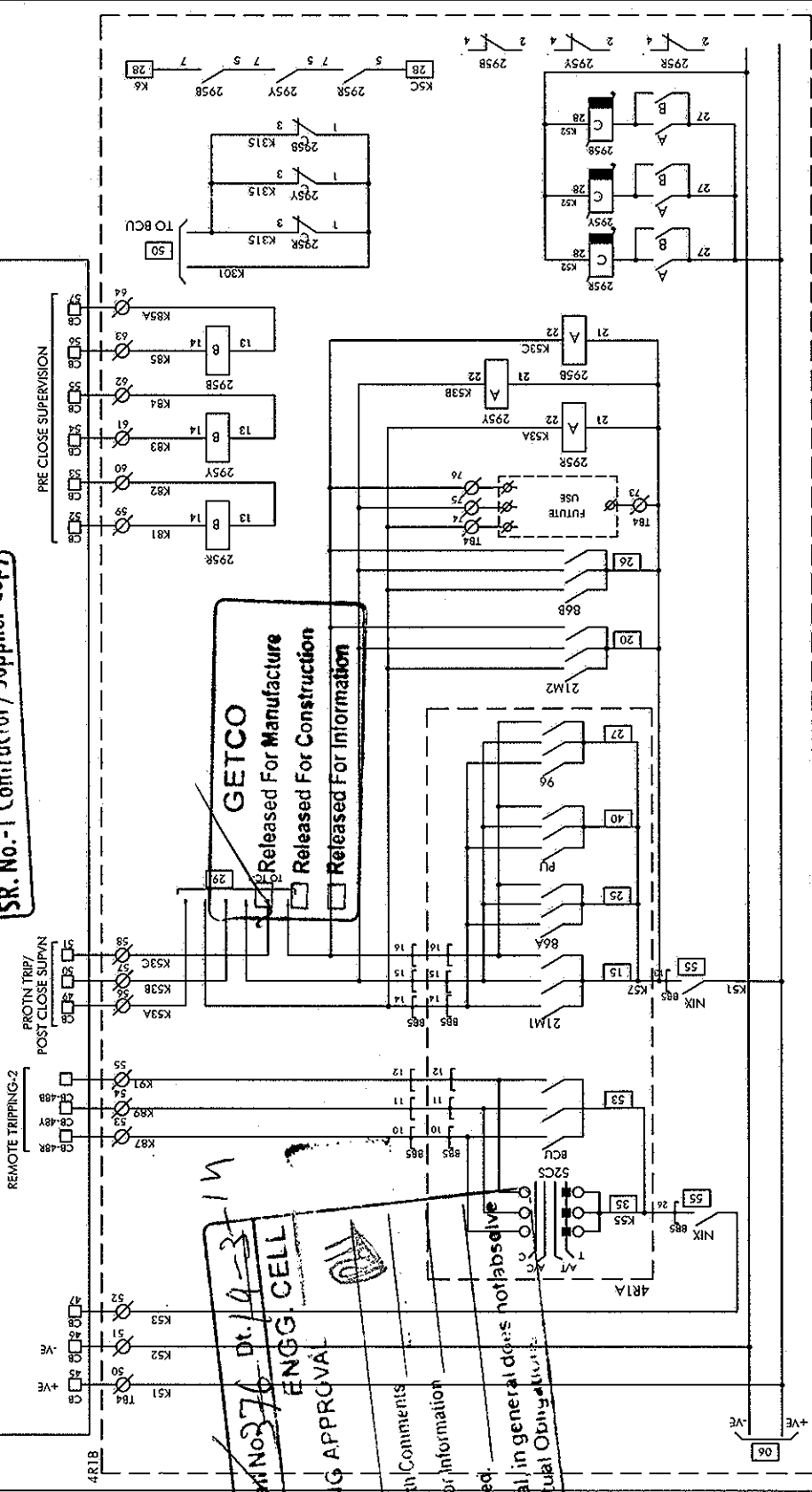
SR. No.-1 Contractor/Supplier Copy

FOR ALSTOM REF:	ENGS. REF. NO.: KV30	REVISION: 8
SCHEME TYPE: FEEDER	FILE: DV301129	PREPARED BY: GVA
BASE FILE:	PANEL TYPES: 4RTA-4RTB	CHECKED BY: AMA
SALES ORDER: 3269PF827	TITLE: 400KV LINE PROTECTION	APPROVED BY: JKK
	CIRCUIT BREAKER CONTROL CKT. (TC-1)	DATE: 10.03.2014
	**TO BE IDENTIFIED AT SITE	SCALE: ...
	ALSTOM	DRG. NO.: CPD KV30 SC11 SHT 29 OF 71
	ALSTOM T&D India Limited - AUTOMATION SAS	
	PALAYARAM, CHENNAI 600043	
	CUSTOMER: GETCO/ALSTOM T&D India Ltd	
	PROJECT: 400/220/16kV/CRSS/S AT SANKHAR S/S	
	P.O.NO.: 5427-4500660137	
	Dated 09.10.2013	

EQUIP	295 4,7,8
TYPE	AWAXM31
LOC.	4R1B

CIRCUIT BREAKER 4-X52 (TC-2)
FOR MAKE SPECIFIC TERMINAL REF
REF CPD KV20 SC11 SHT. 59 60

SR. No.-1 Contractor/Supplier Copy



GETCO
Released For Manufacture
Released For Construction
Released For Information

Approval Letter / Memo No 376 Dt. 19-3-14
ENGG. CELL
DRAWING APPROVAL

- Cat-1 Approved
- Cat-2 Approved with Comments
- Cat-3 Approved For Information
- Cat-4 Not Approved

The above approval in general does not absolve you from Contractual Obligations.

FOR ALSTOM REF:	ENGG. REF. NO.: K90	PREPARED BY: GVA	REVISION: B
SCHEME TYPE: FEEDER	CUSTOMER: GETCO/ALSTOM T&D India Ltd	CHECKED BY: AM	DATE: 10.03.2014
BASE FILE:	PROJECT: 400/220/66KV CBSSAS AT SANKHARI S/S	APPROVED BY: JKK	SCALE: ..
SALES ORDER: 3269PP827	P.O. NO.: 5427-480660137	FILE: DVG01130	
	Dated 09.10.2013	TITLE: 400KV LINE PROTECTION	
		CIRCUIT BREAKER CONTROL CKT. (TC-2)	
		ALSTOM	
		ALSTOM T&D India Limited - AUTOMATION SAS	
		PALLAVARAM, CHENNAI-600043	
		DWG. NO.: CPD KV20 SC11 SHT 30 OF 71	

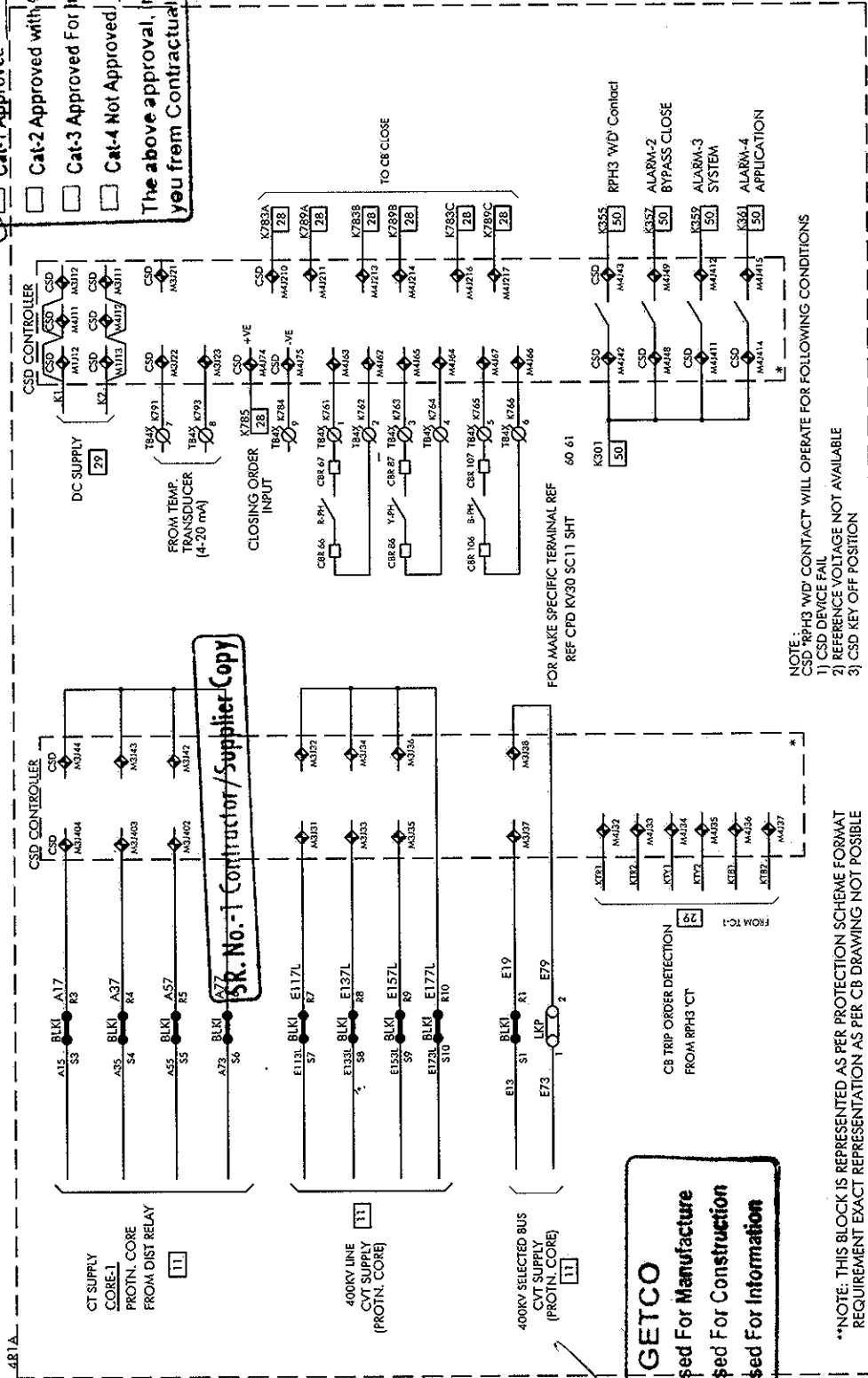
Approval Letter / Mat No. 376 of 437
GETCO

ENGG. CELL

DRAWING APPROVAL

- Cat-1 Approved
- Cat-2 Approved with Comments
- Cat-3 Approved For Information
- Cat-4 Not Approved

The above approval, in general does not absolve you from Contractual Obligations



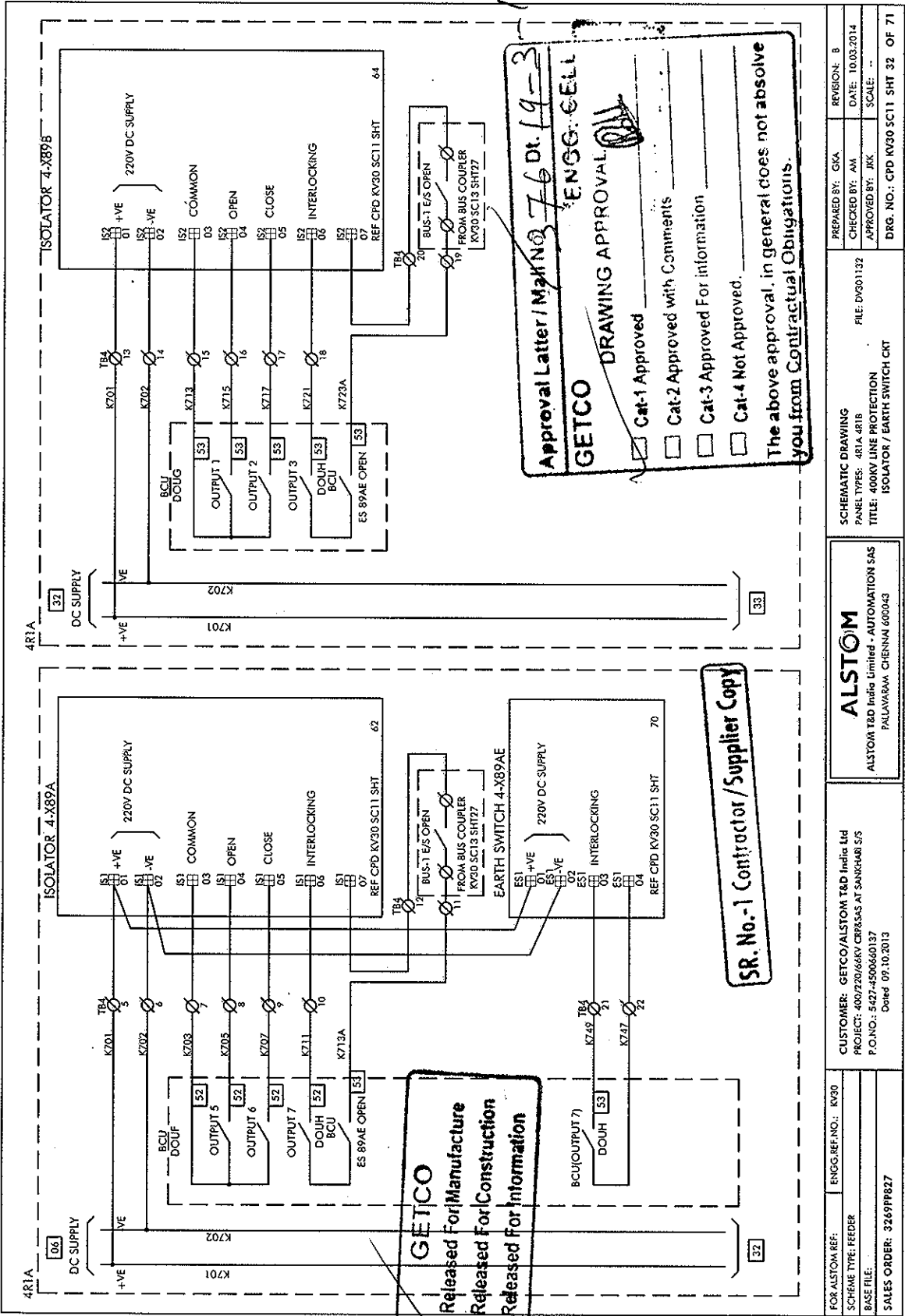
Sk. No. 1 Contractor/Supplier Copy

GETCO
 Released For Manufacture
 Released For Construction
 Released For Information

**NOTE: THIS BLOCK IS REPRESENTED AS PER PROTECTION SCHEME FORMAT REQUIREMENT EXACT REPRESENTATION AS PER CB DRAWING NOT POSSIBLE

NOTE: CSD 'RPH3 WD' CONTACT WILL OPERATE FOR FOLLOWING CONDITIONS
 1) CSD DEVICE FAIL
 2) REFERENCE VOLTAGE NOT AVAILABLE
 3) CSD KEY OFF POSITION

FOR ALSTOM REF:	ENGG. REF. NO.: K930	PREPARED BY: GKA	REVISION: 8
SCHEME TYPE: FEEDER		CHECKED BY: AM	DATE: 10.03.2014
BASE FILE:		APPROVED BY: JKK	SCALE:
SALES ORDER: 3269PP827		FILE: DV0201131	DRG. NO.: CPD K930 SC11 SHT 31 OF 71
CUSTOMER: GETCO/ALSTOM T&D India Ltd PROJECT: 400/720/66KV CB&SAS AT SANJHARI S/S P.O. NO.: 5427-4500600137 Dated: 09.10.2013		SCHEMATIC DRAWING PANEL TYPES: 4R1A, 4R1B TITLE: 400KV LINE PROTECTION RPH2 CONTROLLER CRT	
ALSTOM ALSTOM T&D India Limited - AUTOMATION SAS PALLAVARAM, CHENNAI 600043			



GETCO
 Released For Manufacture
 Released For Construction
 Released For Information

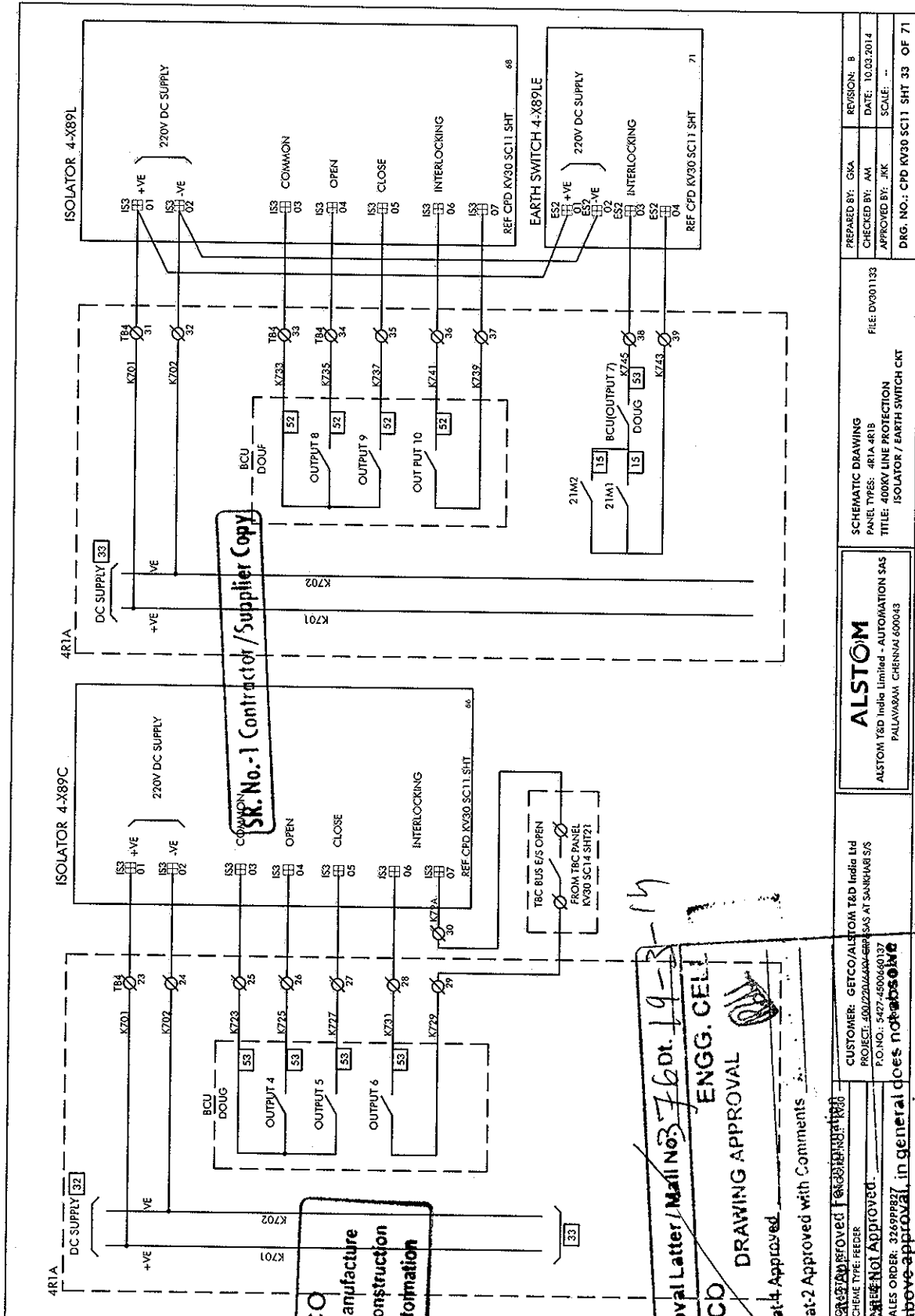
Approval Letter / Mark No. 76 Dt. 19-3
GETCO DRAWING APPROVAL
 Cat-1 Approved
 Cat-2 Approved with Comments
 Cat-3 Approved For information
 Cat-4 Not Approved.
 The above approval, in general does not absolve you from Contractual Obligations.

SR. No.-1 Contractor/Supplier Copy

FOR ALSTOM REF:	ENGG. REF. NO.: KV30	REVISION: B
SCHEME TYPE: FEEDER	FILE: D501132	CHECKED BY: AM
BASE FILE:	FILE: D501132	DATE: 10.03.2014
SALES ORDER: 3269PB27	TITLE: 400KV LINE PROTECTION	APPROVED BY: JJK
	ISOLATOR / EARTH SWITCH CRT	SCALE: --
	DRG. NO.: CPD KV30 SC11 SHT 32 OF 71	

ALSTOM
 ALSTOM T&D India Limited - AUTOMATION SAS
 PALLAVARAM, CHENNAI 600043

CUSTOMER: GETCO/ALSTOM T&D India Ltd
 PROJECT: 400/220/66KV CB&SAS AT SANKHAR S/S
 P.O.NO.: 5-027-4500660137
 Date: 09.10.2013



SK. No.-1 Contractor / Supplier Copy

- GETCO**
- Released For Manufacture
 - Released For Construction
 - Released For Information

Approval Letter / Mail No. 376 dt. 19-3-14

GETCO ENGG. CELL

Cat.4 Approved

Cat.2 Approved with Comments

Cat.1 Approved

Cat.0 Approved

GETCO DRAWING APPROVAL

The above approval in general does not absolve you from Contractual Obligations.

ALSTOM ALSTOM T&D India Limited - AUTOMATION SAS PALLAVARAM, CHENNAI-600043	SCHEMATIC DRAWING PANEL TYPE: 481A 4R1B TITLE: 400KV LINE PROTECTION ISOLATOR / EARTH SWITCH CKT	FILE: DV001133 PREPARED BY: GMA CHECKED BY: AM APPROVED BY: JJK	REVISION: B DATE: 10.03.2014 SCALE:	
	CUSTOMER: GETCO/ALSTOM T&D India Ltd PROJECT: 400/220KV/400KV/66KV/33KV AT SANKHARI S/S P.O.NO.: 5477-4500660137			
	DRG. NO.: CPD KV30 SC11 SHT 33 OF 71			
	REF CPD KV30 SC11 SHT 68 REF CPD KV30 SC11 SHT 71			

GETCO
 Released For Manufacture
 Released For Construction
 Released For Information

SR. No.-1 Contractor / Supplier Copy

BLANK SHEET

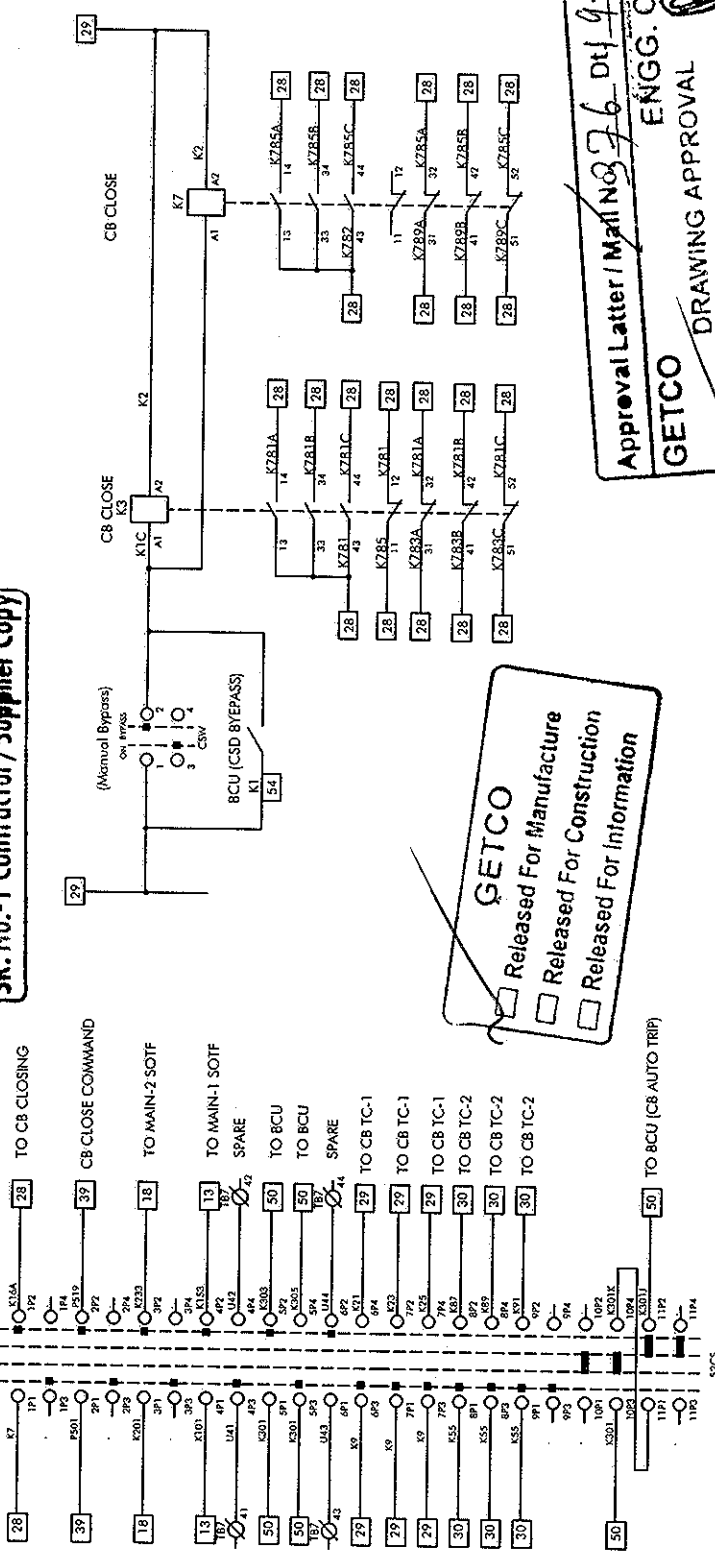
Approval Letter / Mak No. 376 Dt. 19-3-14
GETCO DRAWING APPROVAL
 ENGG: GETCO
 Cat-1 Approved
 Cat-2 Approved with Comments
 Cat-3 Approved For information
 Cat-4 Not Approved.
 The above approval, in general does not absolve you from Contractual Obligations.

FOR ALSTOM REF:	ENGG. REF. NO.: KY30	REVISION: 8
SCHEME TYPE: FEEDER	CHECKED BY: AM	DATE: 10.03.2014
BASE FILE:	APPROVED BY: JKS	SCALE: ...
SALES ORDER: 3265PP827	FILE: DV601134	DRG. NO.: CPD KY30 SCT11 SHT 34 OF 71
ALSTOM ALSTOM T&D India Limited - AUTOMATION SAS PALLAVARAM, CHENNAI 600043		
CUSTOMER: GETCO/ALSTOM T&D India Ltd PROJECT: 400720/66KV CRPS&S AT SANKHARI S/S P.O.NO.: 5427-6500640137 Dated: 09.10.2013		
SCHEMATIC DRAWING PANEL TYPES: 4RTA 4R3B TITLE: 400KV LINE PROTECTION BLANK SHEET		

4RIA

035972/VI120/SKZ/RM/108
1 201 AC C

SR. No.-1 Contractor/Supplier Copy



GETCO
 Released For Manufacture
 Released For Construction
 Released For Information

Approval Letter / Mail No. 376 Dt. 9-13-14
GETCO
 DRAWING APPROVAL
 Cat-1 Approved
 Cat-2 Approved with Comments
 Cat-3 Approved For Information
 Cat-4 Not Approved.
 ENGG. CELL

FOR ALSTOM REF: ENGG. REF. NO.: K30
 SCHEMATIC DRAWING
 PANEL TYPE: 4RIA-4R18
 TITLE: 400KV LINE PROTECTION SWITCH CONTACT DIVISION
 PREPARED BY: GVA
 CHECKED BY: GVA
 DATE: 10.03.2014
 The approval of this drawing is from Contract approved by the client.

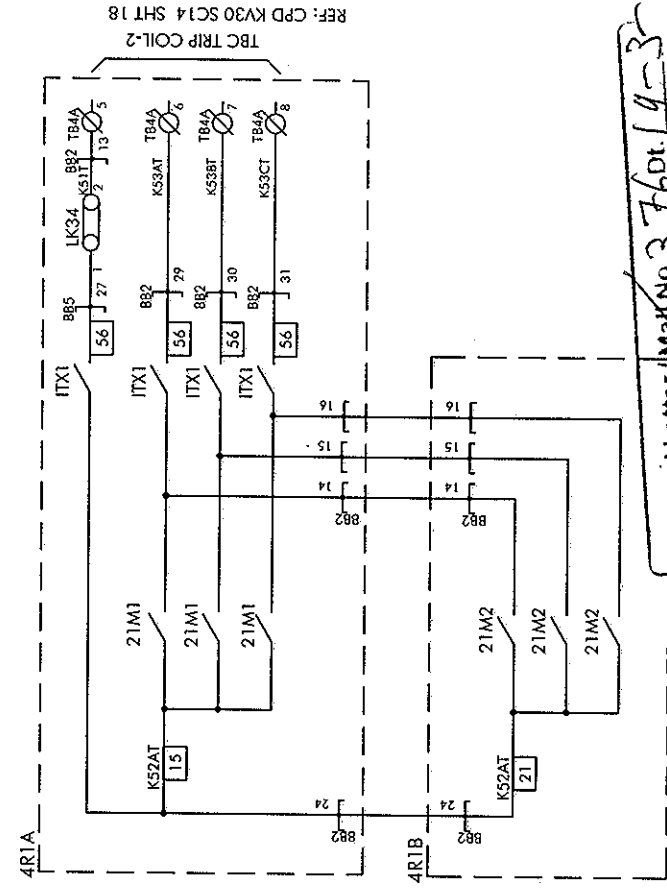
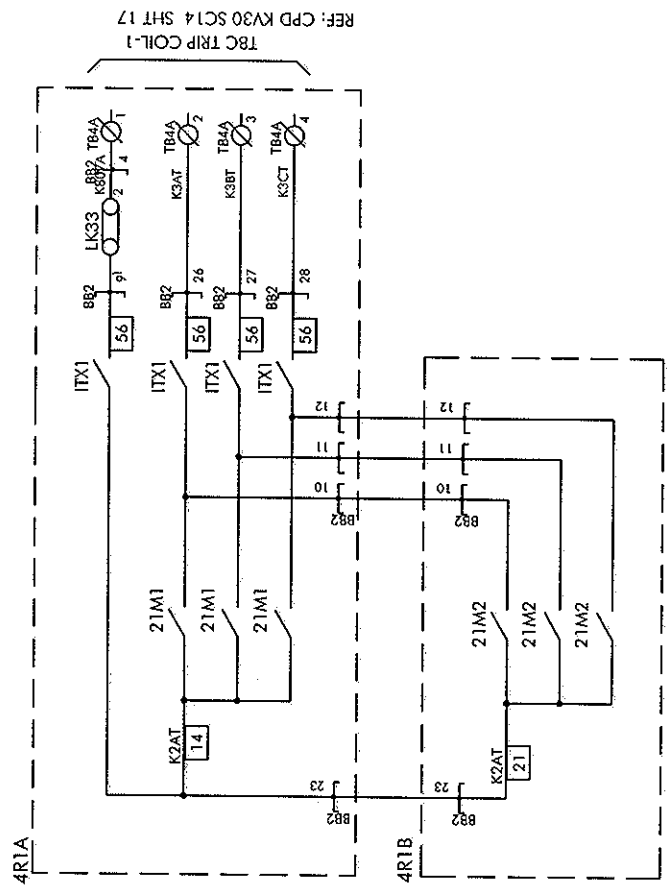
ALSTOM
 ALSTOM T&D India Limited - AUTOMATION SAS
 PALLAVARAM, CHENNAI 600043

CUSTOMER: GETCO/ALSTOM T&D India Ltd
 PROJECT: 400/220/56KV CRSSAS AT SANKRASH S/S
 P.O.NO.: 5427-4500660137
 Dated 09.10.2013

SALES ORDER: 3269PP227

FIG. NO.: CPD KV30 SC11 SHT 35 OF 71

SR. No.-1 Contention / Supplier Copy



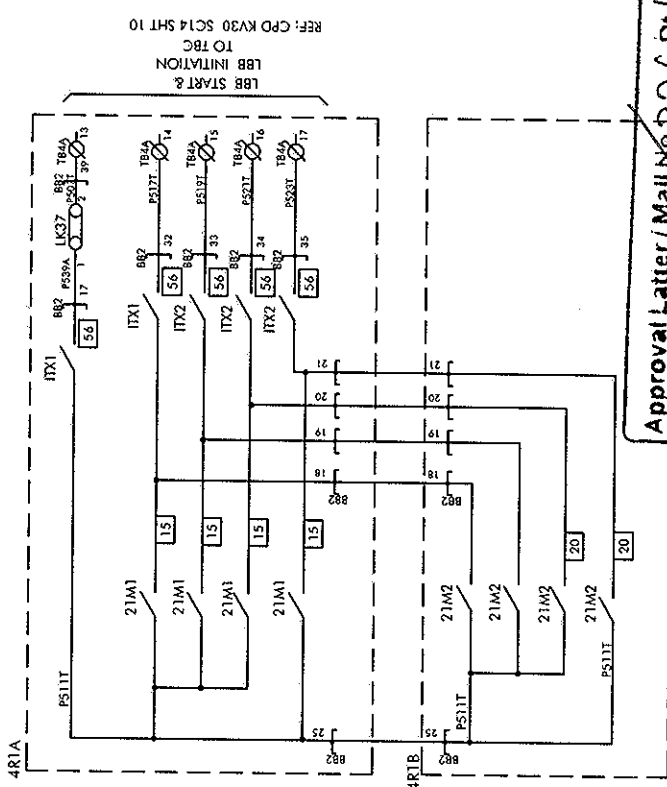
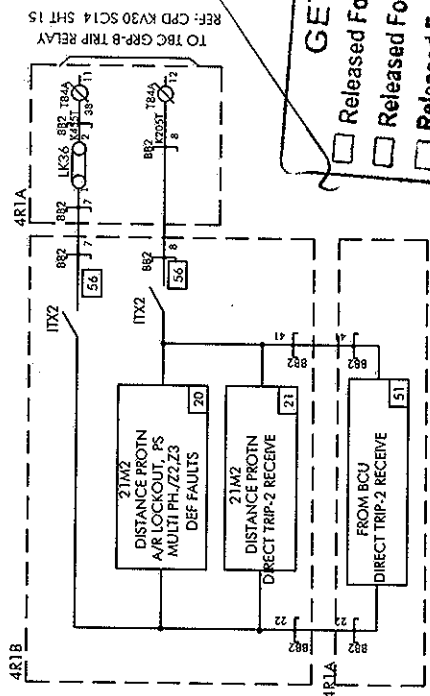
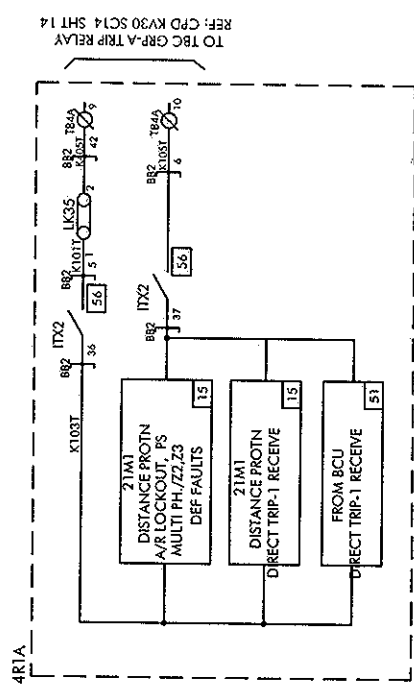
GETCO
 Released For Manufacture
 Released For Construction
 Released For Information

NOTE: TRIP WILL BE EXTENDED TO BC CUM TBC CB WHEN RESPECTIVE BAY IS IN 'I-T' MODE.

Approved Letter / Mail No. 376 dt. 14-3-14
GETCO DRAWING APPROVAL
 ENGG. CERT
 Cat-1 Approved
 Cat-2 Approved with Comments
 Cat-3 Approved For Information
 Cat-4 Not Approved
 The above approval, in general does not absolve you from Contractual Obligations.

FOR ALSTOM REF:	ENGG. REF. NO.: KV30	PREPARED BY: GKA	REVISION: A
SCHEME TYPE: FEEDER		CHECKED BY: AM	DATE: 19.02.2014
BASE FILE:		APPROVED BY: JKK	SCALE: ..
SALES ORDER: 3269PR827		DRG. NO.: CPD KV30 SC11 SHT 36	OF 71
CUSTOMER: GETCO/ALSTOM T&D India Ltd PROJECT: 400/220/66KV CRP&SAS AT SANKHARI S/S P.O.NO.: 5427-4500660137 Dated: 09.10.2013		SCHEMATIC DRAWING PANEL TYPES: 4R1A 4R1B TITLE: 400KV LINE PROTECTION TBC BREAKER CONTACT DISTRIBUTION	
ALSTOM ALSTOM T&D India Limited - AUTOMATION SAS PALAVARAM, CHENNAI 600043			

SR. 1: Contractor/Supplier Copy



Approval Letter / Mail No. 336 dt. 19-3-14

GETCO

ENGINEER

DRAWING APPROVAL

Cat-1 Approved

Cat-2 Approved

Cat-3 Approved For Information

Cat-4 NOT Approved

The above is approved for general use. Not to be used for any specific project without the approval of the project manager.

REVISION B
 CHECKED BY: AM
 DATE: 10.03.2014

GETCO

Released For Manufacture

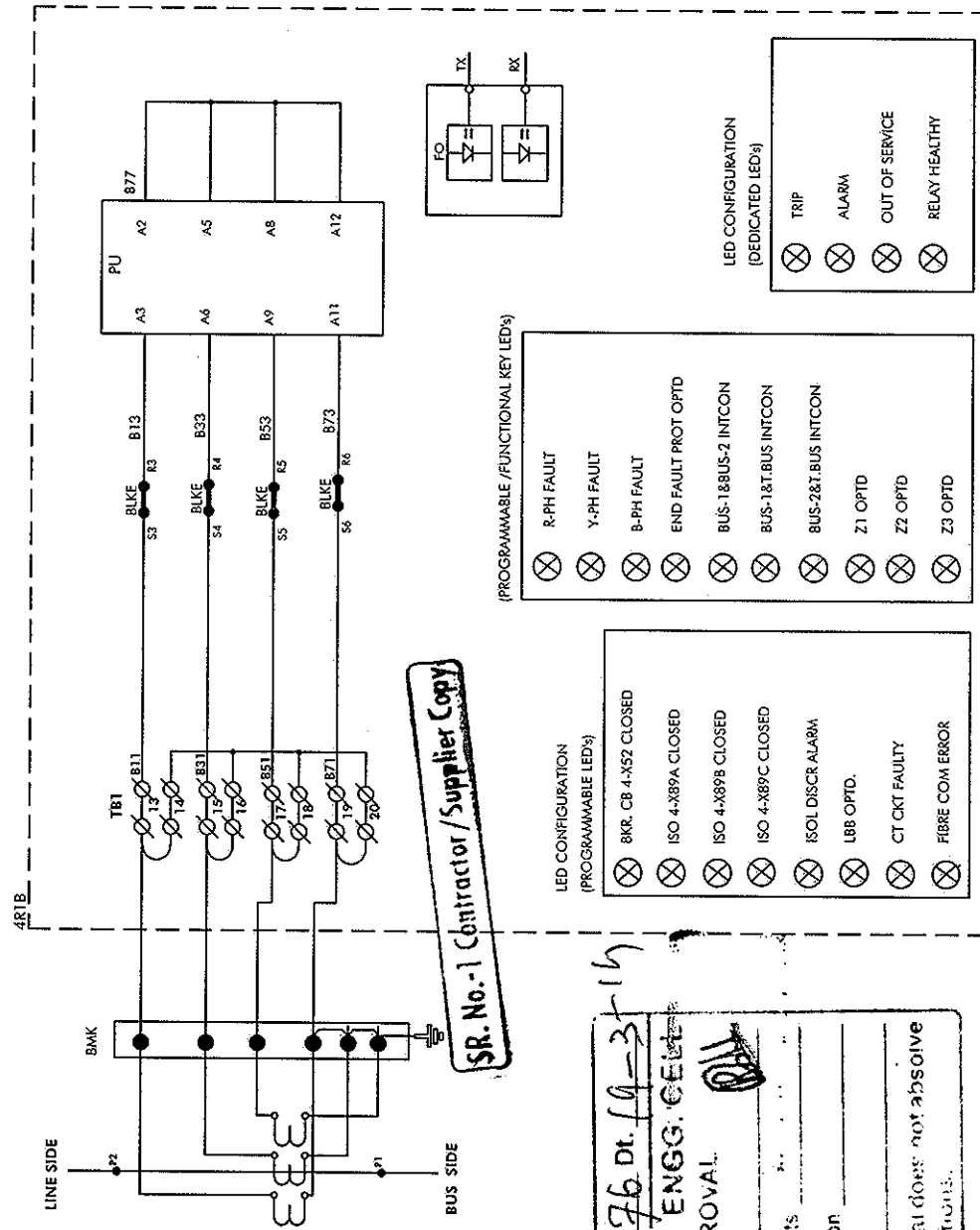
Released For Construction

Released For Information

NOTE: TRIP WILL BE EXTENDED TO BC CUM TBC

FOR ALSTOM REF:	ENG. REF. NO.: KV30	CUSTOMER: GETCO/ALSTOM T&D India Ltd
SCHEME TYPE: FEEDER		PROJECT: 400/220/56KV CR63AS AT SANKHARI/S
BASE FILE:		P.O.NO.: 5427-4500660137
SALES ORDER: 3269PP827		Dated: 09.10.2013
SCHEMATIC DRAWING		ALSTOM
PANEL TYPE: 4R1A-4R1B		ALSTOM T&D India Limited - AUTOMATION SAS
TITLE: 400KV LINE PROTECTION		PALLAVARAM, CHENNAI 600043
TBC BREAKER CONTACT		

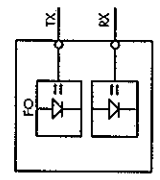
EQPT. AC COMB 743
TYPE PU
LOC 4R1B



GETCO
 Released For Manufacture
 Released For Construction
 Released For Information

CORE: 4
 RATIO : 2000-1000-500/1A
 CLASS : FS
 VK > 2000 V
 Imp < 30mA
 Rct < 10 Ohms

SR. No.-1 Contractor / Supplier Copy



(PROGRAMMABLE / FUNCTIONAL KEY LED'S)

- R-PH FAULT
- Y-PH FAULT
- B-PH FAULT
- END FAULT PROT OPTD
- BUS-1&BUS-2 INTCON
- BUS-1&T&BUS INTCON
- BUS-2&T&BUS INTCON
- Z1 OPTD
- Z2 OPTD
- Z3 OPTD

LED CONFIGURATION (PROGRAMMABLE LED'S)

- 8KR. CB 4-X52 CLOSED
- ISO 4-X89A CLOSED
- ISO 4-X89B CLOSED
- ISO 4-X89C CLOSED
- ISOL DISCR ALARMA
- LBB OPTD.
- CT CRT FAULTY
- FIBRE COM ERROR

LED CONFIGURATION (DEDICATED LED'S)

- TRIP
- ALARMA
- OUT OF SERVICE
- RELAY HEALTHY

Approval Letter / **M/No 376 Dt. 19-3-14**
GETCO **ENGG. GETCO**
 DRAWING APPROVAL
 Cat-1 Approved
 Cat-2 Approved with Comments
 Cat-3 Approved For Information
 Cat-4 Not Approved.
 The above approval, in general does not absolve you from Contractual Obligations.

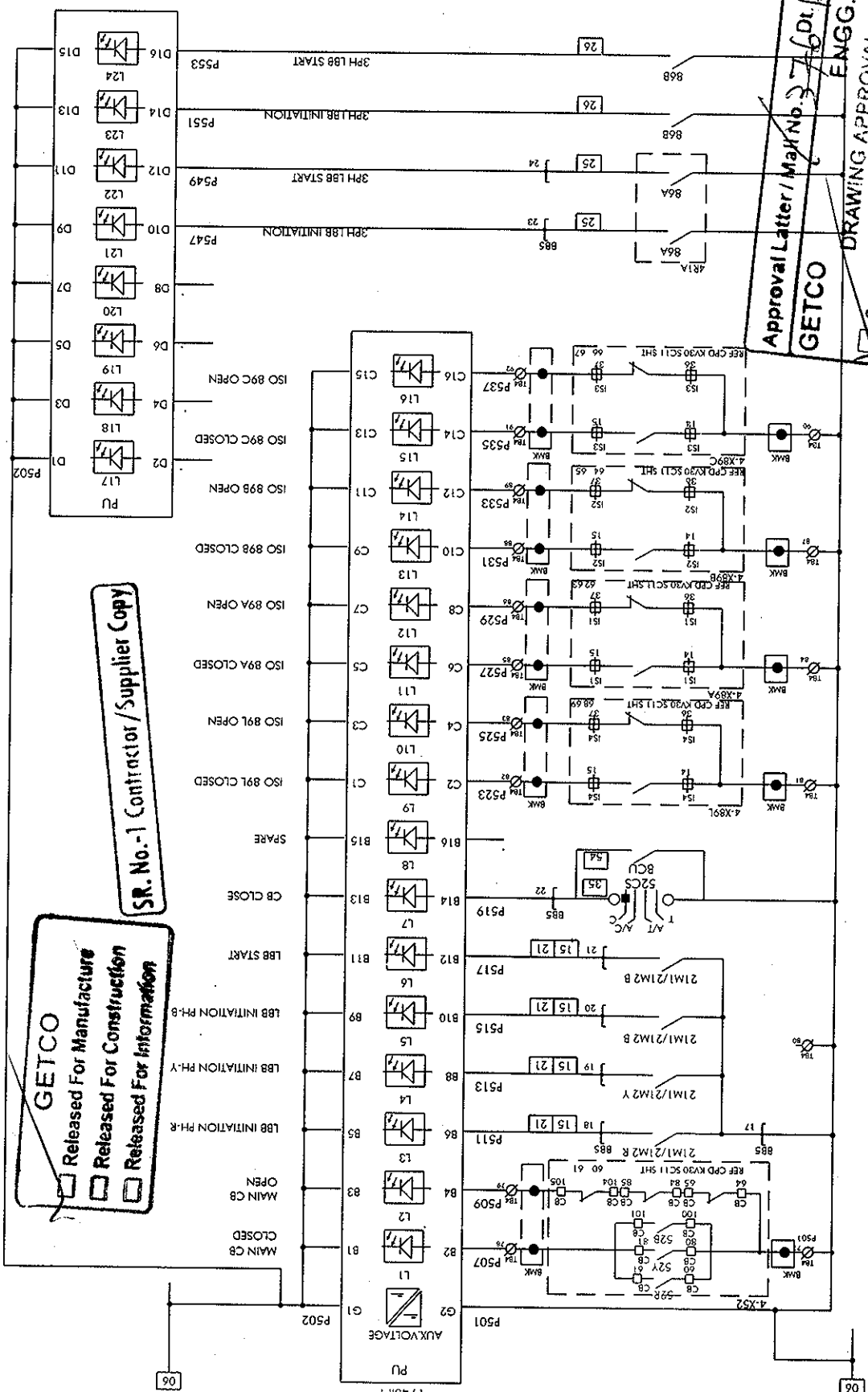
FOR ALSTOM REF.:	ENG. REF. NO.:	REV. NO.:	8
SCHEME TYPE: FEEDER	SALES ORDER: 3269PB27	PREPARED BY: GKA	FILE: DV001138
BASE FILE:	CUSTOMER: GETCO/ALSTOM T&D India Ltd	CHECKED BY: AM	DATE: 10.03.2014
	PROJECT: 400/220/66KV CR&SAS AT SANHHARI S/S	APPROVED BY: JJK	SCALE: ...
	P.O. NO.: 5427-6500640137		
	Dated: 09.10.2013		
ALSTOM		SCHEMATIC DRAWING	
ALSTOM T&D India Limited - AUTOMATION SAS		PANEL TYPE: 4R1A-4R1B	
PALAYARAM, CHENNAI 600043		TITLE: 400KV LINE PROTECTION	
		BUS BAR PROTIN - AC CRT	
DRG. NO.: CFD KV30 SC11 SHT 38 OF 71			

4R1B

GETCO

- Released For Manufacture
- Released For Construction
- Released For Information

SR. No.-1 Contractor/Supplier Copy



Approval Letter / Main No. 3760/14-2
GETCO
 Cat-1 Approved
 DRAWING APPROVAL

Prepared By: GKA
 Checked By: ANR/HMS
 Approved By: JKK
 Date: 10.03.2014
 DRG. NO.: CPD/KR08/11 SHT 39 OF 71

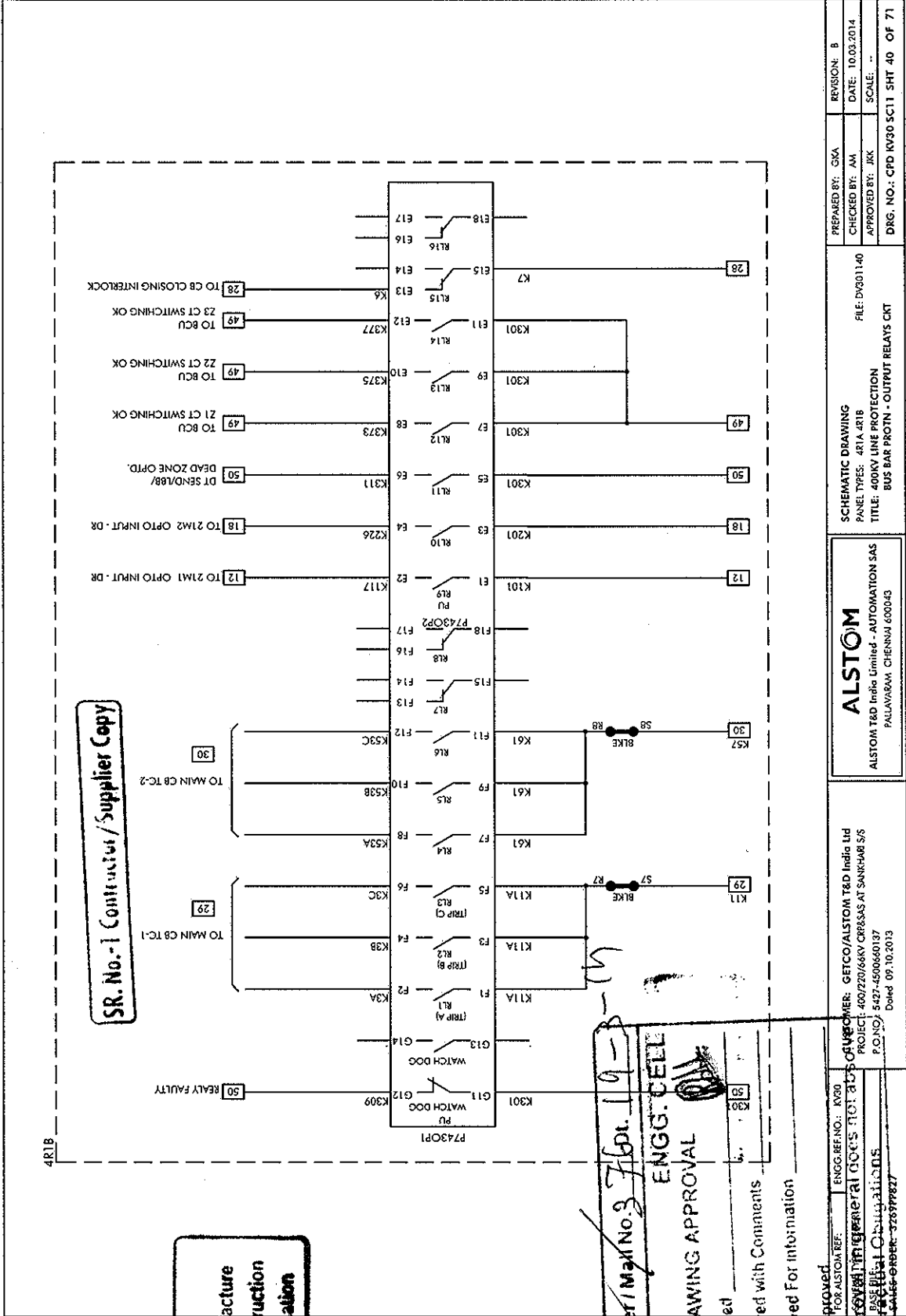
ALSTOM
 ALSTOM T&D India Limited - AUTOMATION SAS
 PALLAVARAM, CHENNAI 600043

ALSTOM
 ALSTOM T&D India Limited
 PROJECT: 400/220/66KV C/P/S/S AS AT SANGHARI S/S
 P.O.NO.: 5427-4500660137
 Dated: 09.10.2013

FOR ALSTOM REF: ENG. REF. NO.: KV30
 SCHEME TYPE: FEEDER
 BASE FILE:
 SALES ORDER: 3269PP827

SCHEMATIC DRAWING
 PANEL TYPE: 4R1A 4R1B
 TITLE: 400KV LINE PROTECTION
 BUS BAR PROTIN - OPTO CAT

The above approval, in general does not absolve you from Contractual Obligations.



SR. No. 1 Contractor / Supplier Copy

GETCO

- Released For Manufacture
- Released For Construction
- Released For Information

Approval Letter / Mail No. 27601.19-3

GETCO **ENGG. CELL**

DRAWING APPROVAL

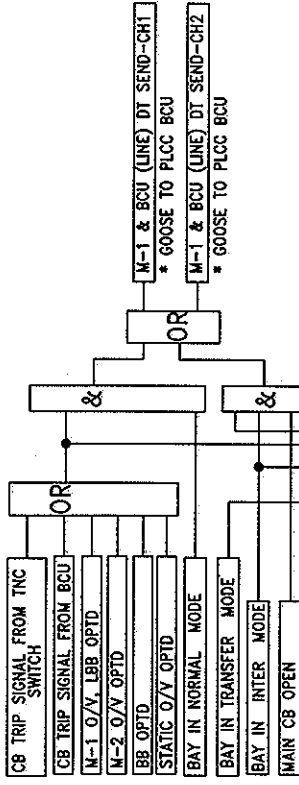
- Cat-1 Approved
- Cat-2 Approved with Comments
- Cat-3 Approved For Information
- Cat-4 Not Approved

The above approval is valid only for the project mentioned in the approval letter. For any other project, you must obtain a separate approval from the concerned departments.

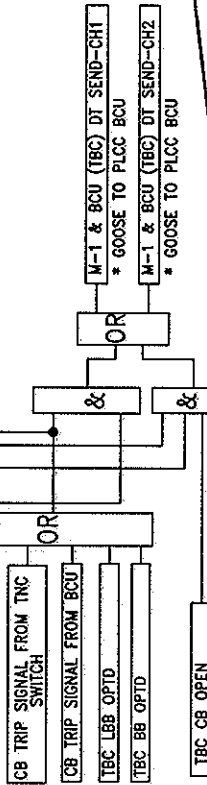
FOR ALSTOM REF: ENGG. REF. NO.: K309
 PROJECT: 400/220/6KV CBSSAS AT SANKRAB S/S
 BASE: Electrical Consultants
 P.O. NO.: 5427-450060137
 Dated: 09.10.2013
 SALES ORDER: 326979227

PREPARED BY: GKA	REVISION: B
CHECKED BY: AM	DATE: 10.03.2014
APPROVED BY: JKK	SCALE: ..
DRG. NO.: CPD KV30 SC11 SHT 40 OF 71	
SCHEMATIC DRAWING PANEL TYPE: 4R1A-4R1B FILE: DYS01140 TITLE: 400KV LINE PROTECTION BUS BAR PROTIN - OUTPUT RELAYS CRT	
ALSTOM ALSTOM T&D India Limited - AUTOMATION SAS PALLARABAM, CHENNAI 600043	
OWNER: GETCO/ALSTOM T&D India Ltd PROJECT: 400/220/6KV CBSSAS AT SANKRAB S/S P.O. NO.: 5427-450060137 Dated: 09.10.2013	

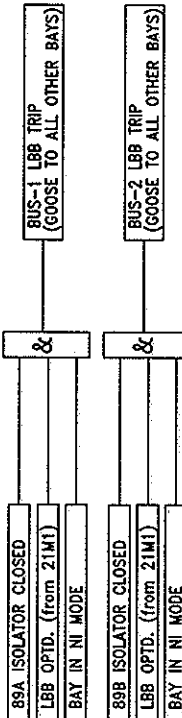
LINE BAY



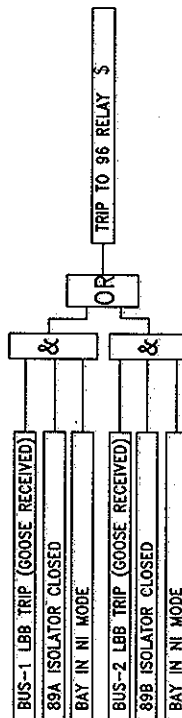
TBC BAY



MAIN IED - ALL BAYS (IF BAY IN NI MODE)

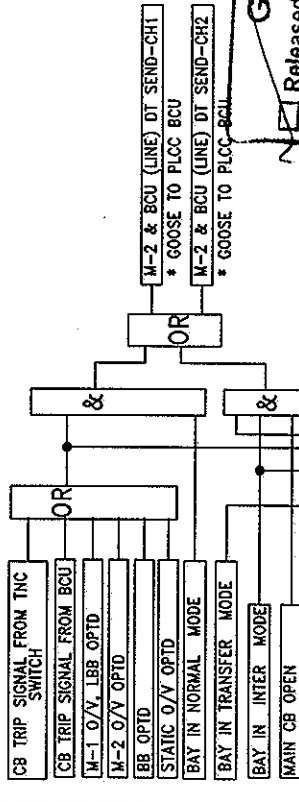


MAIN IED - ALL BAYS EXCEPT BUSCOUPLER (IF BAY IN NI MODE)

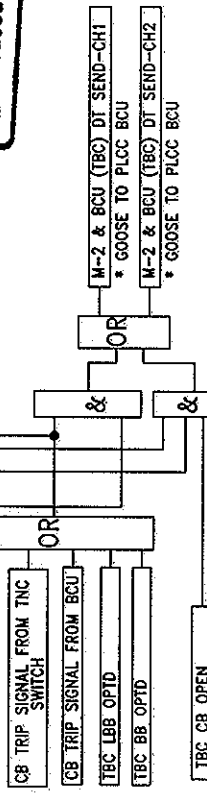


\$ - NI POSITION HARDWARE CONTACT IS TAKEN FOR 96 TRIP

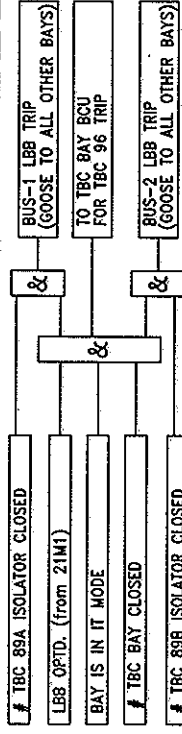
LINE BAY



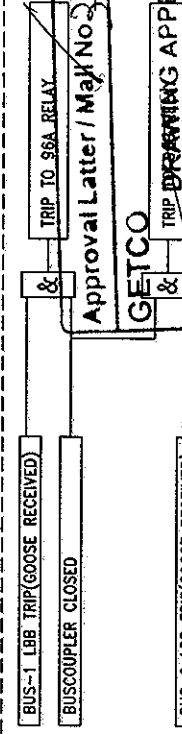
TBC BAY



MAIN IED - ALL BAYS EXCEPT BUSCOUPLER (IF BAY IS IN IT MODE)



MAIN IED - ONLY IN BUSCOUPLER BAY



* ALL THESE SHALL BE SENT THROUGH GOOSE SIGNALS TO PLCC BCU FROM

- 1. MAIN-1 & BCU FOR DTS CODE-1 THROUGH CH-1 & CH-2 Approved with Comments
- 2. MAIN-2 & BCU FOR DTS CODE-1 THROUGH CH-1 & CH-2 Approved For Information

GETCO
 Released For Manufacture
 Released For Construction
 Released For Information

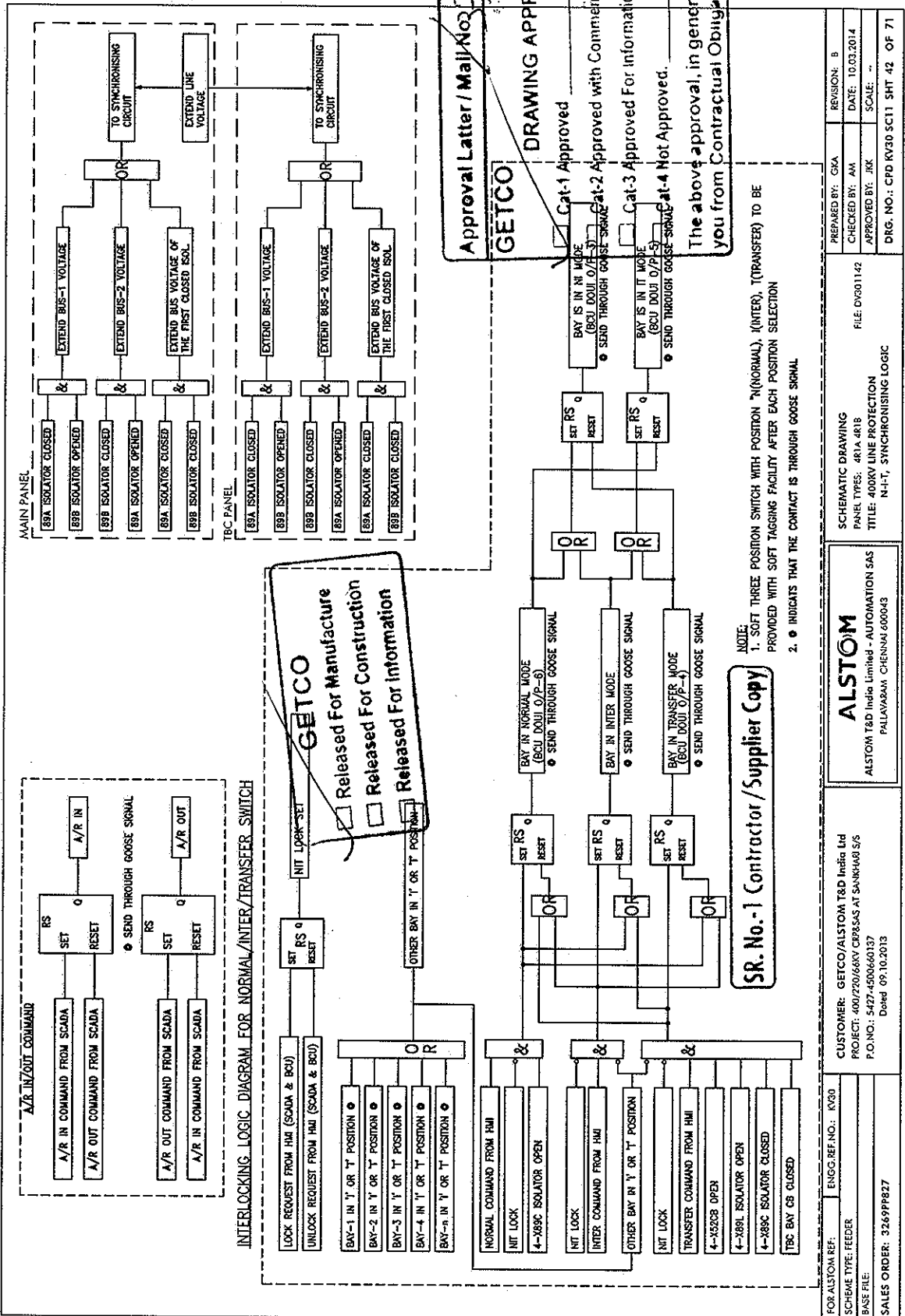
Approval Letter / Maj No 376 Dt. 14-3
 GETCO
 TRIP DRAWING APPROVAL
 ENGG. CELL

FOR ALSTOM REF: ENGS. REF. NO.: KV30
 SCHEME TYPE: FEEDER
 BASE FILE:
 SALES ORDER: 3269PP827

CUSTOMER: GETCO/ALSTOM T&D India Ltd
 PROJECT: 400/220/66KV CRP&SAS AT SANKHARI S/S
 P.O. NO.: 5427-4500660137
 Dated: 09.10.2013

ALSTOM
 ALSTOM T&D India Limited - AUTOMATION SAS
 PALLAVARAM, CHENNAI 600043

REVISION: A
 DATE: 19.02.2014
 CHECKED BY: AKR
 FILE: DV301141
 The above approval is for information only. It does not constitute an approval for construction. You get from Contractual Office for SC-11 SHT. 41 OF 71

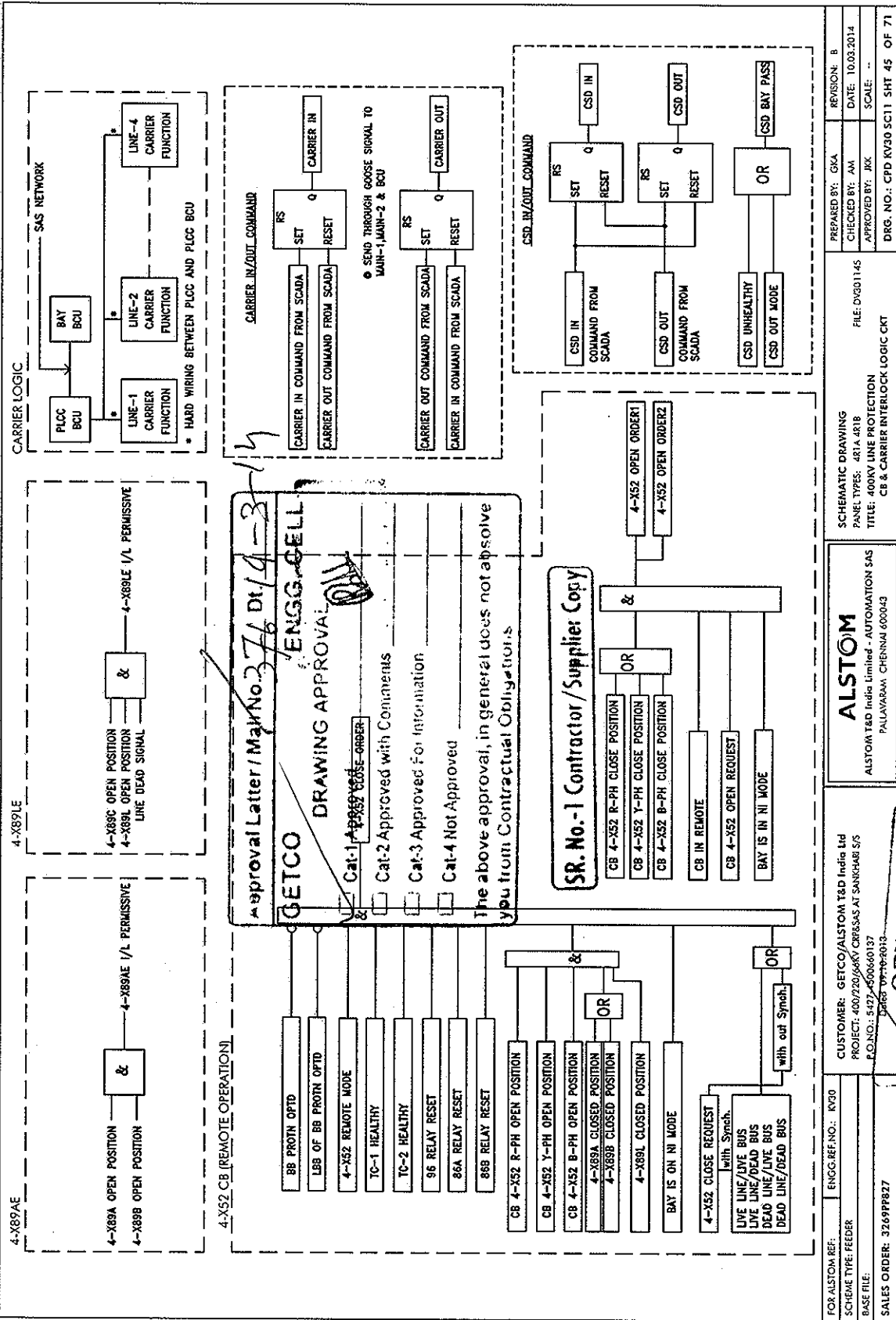


Approval Letter / Mail No. 76-04-3-1/V
GETCO DRAWING APPROVAL
 Cat-1 Approved
 Cat-2 Approved with Comments
 Cat-3 Approved For Information
 Cat-4 Not Approved
 The above approval, in general does not absolve you from Contractual Obligations

NOTE:
 1. SOFT THREE POSITION SWITCH WITH POSITION 'N'(NORMAL), '(INTER), '(TRANSFER) TO BE PROVIDED WITH SOFT TAGGING FACILITY AFTER EACH POSITION SELECTION
 2. * INDICATES THAT THE CONTACT IS THROUGH GOOSE SIGNAL

SR. No.-1 Contractor/Supplier Copy

FOR ALSTOM REF:	ENGG. REF. NO.: KV30	PREPARED BY: GKA	REVISION: B
SCHEME TYPE: FEEDER	PROJECT: 400/220/66KV CRRSAS AT SANKHAR S/5	CHECKED BY: AM	DATE: 10.03.2014
BASE FILE:	P.O. NO.: 5427-4500660137	APPROVED BY: JKK	SCALE: "
SALES ORDER: 32699827	Dated: 09.10.2013	FILE: DV301142	DRG. NO.: CPD KV30 SCT11 SHT 42 OF 71
CUSTOMER: GETCO/ALSTOM T&D India Ltd PROJECT: 400/220/66KV CRRSAS AT SANKHAR S/5 P.O. NO.: 5427-4500660137 Dated: 09.10.2013		SCHEMATIC DRAWING PANEL TYPES: 4RIA 4R1B TITLE: 400KV LINE PROTECTION N4-T, SYNCHRONISING LOGIC	
ALSTOM			
ALSTOM T&D India Limited - AUTOMATION SAS			
PALLAVARAM, CHENNAI 600048			



Approval Letter / Main No 376 Dt/14-3/14

GETCO
DRAWING APPROVAL

Cat-1 Approved

Cat-2 Approved with Comments

Cat-3 Approved for Information

Cat-4 Not Approved

The above approval, in general does not absolve you from Contractual Obligations.

SR. No.-1 Contractor/Supplier Copy

CB 4-X52 R-PH CLOSE POSITION

CB 4-X52 Y-PH CLOSE POSITION

CB 4-X52 B-PH CLOSE POSITION

CB IN REMOTE

CB 4-X52 OPEN REQUEST

BAY IS IN NI MODE

4-X52 OPEN ORDER1

4-X52 OPEN ORDER2

FOR ALSTOM REF:	ENG. REF. NO.: RV30	REVISION: B
SCHEME TYPE: FEEDER	PROJECT: 400/220/66KV CPESSAS AT SANKHAR S/S	CHECKED BY: AM
BASE FILE:	FILE: DVG01145	DATE: 10.03.2014
SALES ORDER: 326999827	TITLE: 400KV LINE PROTECTION CB & CARRIER INTERLOCK LOGIC CRT	APPROVED BY: JKK
	ALSTOM	SCALE: --
	ALSTOM T&D India Limited - AUTOMATION SAS	DRG. NO.: CPD KV30 SC11 SHT 45 OF 71
	PALLAVASAI, CHENNAI 600043	

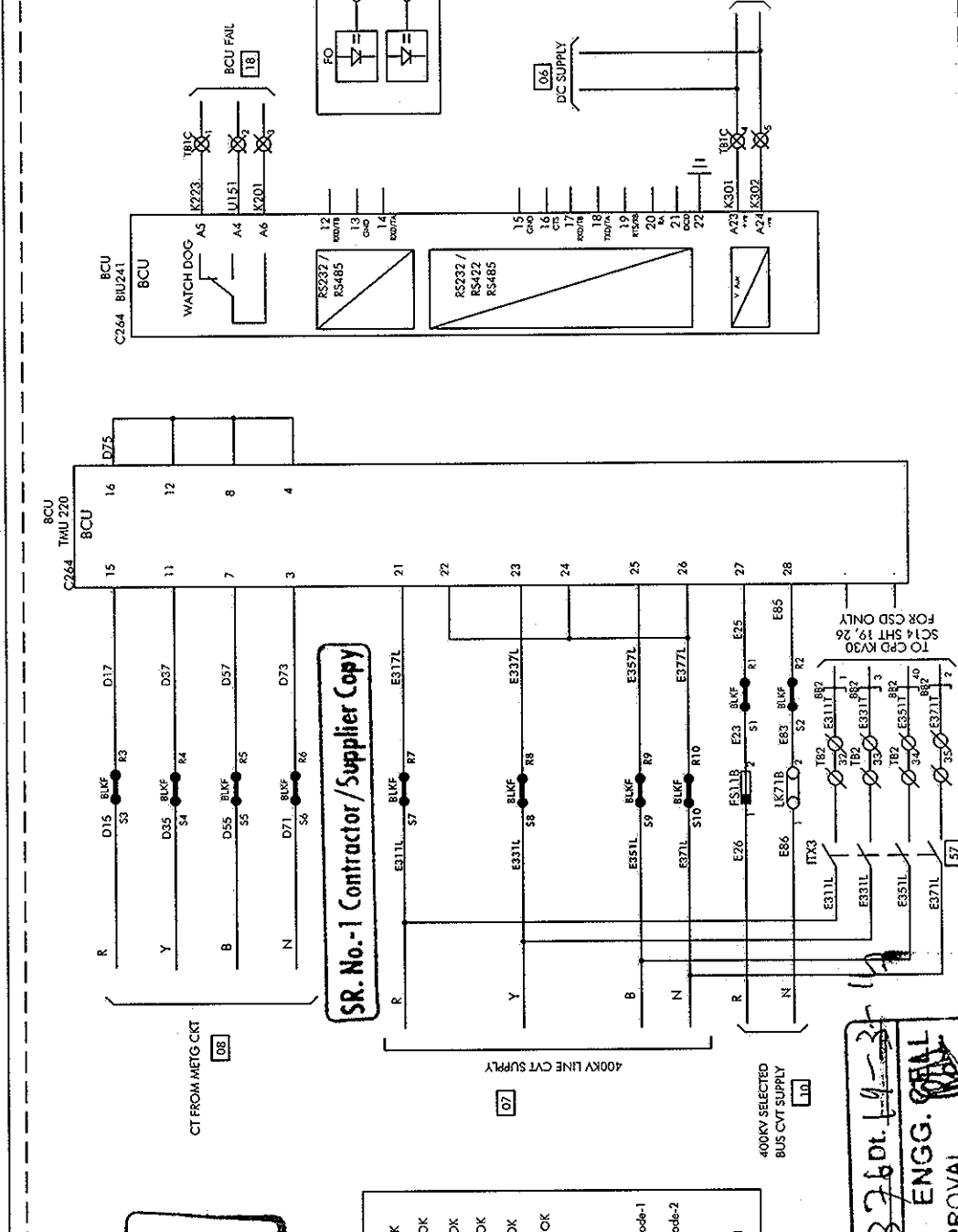
GETCO

Released For Manufacture

Released For Construction

Released For Information

EGPT	BCU
TYPE	C264
LOC	4R1A



BCU	4R1A
TYPE	C264
LOC	4R1A

GETCO
 Released For Manufacture
 Released For Construction
 Released For Information

- LED CONFIGURATION (PROGRAMMABLE LED'S)
- CB Permissive I/L OK
 - 89A Permissive I/L OK
 - 89B Permissive I/L OK
 - 89C Permissive I/L OK
 - 89I Permissive I/L OK
 - 89LE Permissive I/L OK
 - CB Lockout
 - Gas Pressure Low
 - Direct Trip Recv - Code-1
 - Direct Trip Recv - Code-2
 - CB POC Optd
 - CB Spring Charged

Approval Letter / Mail No. 376 dt. 14-3-14
GETCO
DRAWING APPROVAL
 ENGG. **RAJ**
 Cat-1 Approved For Information
 Cat-2 Approved For Information
 Cat-3 Approved For Information
 Cat-4 Not Approved.
 The above approval, in general does not absolve you from Contractual Obligations.

FOR ALSTOM REF: ENGG. REF. NO.: P-R030
 CUSTOMER: GETCO/ALSTOM T&D India Ltd
 PROJECT: 400/270/56KV CBPSAS AT SANKHARI S/S
 P.O. NO.: 5427/600660137
 SALES ORDER: 3269PP827
 Dated: 09.10.2013

PREPARED BY: GVA
 CHECKED BY: AM
 APPROVED BY: JKK
 FILE: DV301147
 DATE: 10.03.2014
 SCALE: ..

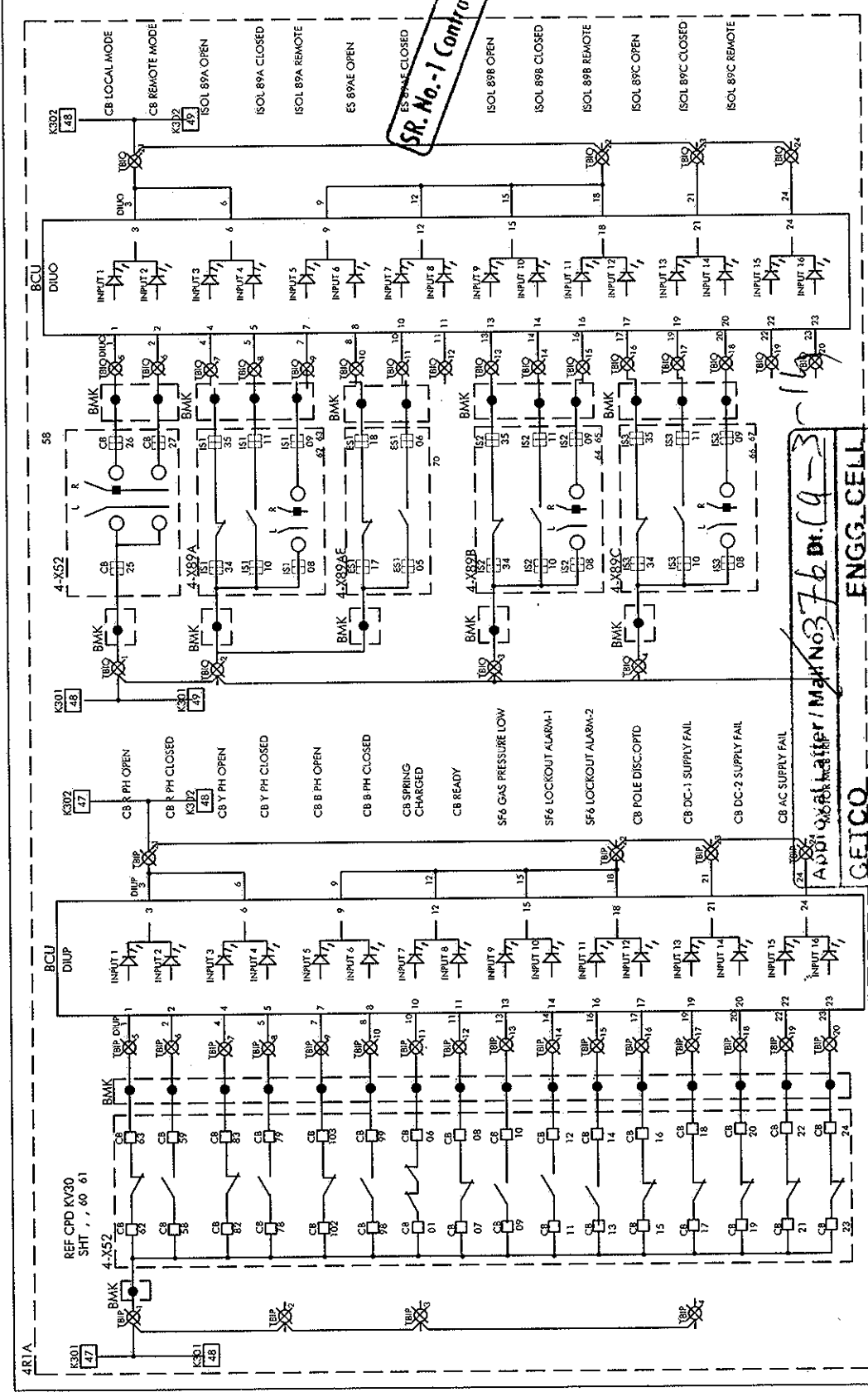
DRG. NO.: CPD R/30 SC11 SHT 47 OF 71

REVISION: B

SCHEMATIC DRAWING
 PANEL TYPES: 4R1A 4R1B
 TITLE: 400KV LINE PROTECTION
 BCU CT/PT & AUX SUPPLY CKT

ALSTOM
 ALSTOM T&D India Limited - AUTOMATION SAS
 PALLAVARAM, CHENNAI 600043

SR. No. - 1 Contractor / Supplier Copy



FOR ALSTOM REF:	ENGG. REF. NO.: KV30	REVISION: 8
SCHEME TYPE: FEEDER	CUSTOMER: GETCO/ALSTOM T&D India Ltd	PREPARED BY: GKA
BASE FILE:	PROJECT: 400/220/66KV CRR&S AS SANHARVE	CHECKED BY: AM
SALES ORDER: 3269P827	P.O. NO.: 5427-4500660137	APPROVED BY: JKC
	Dated: 09.10.2013	DRG. NO.: CPD KV30 SCT11 SHT 48 OF 71
		FILE: 016201148
		SCALE: ..
		SCHEMATIC DRAWING
		ALSTOM
		TYPE: 4RI-A
		PROVIDE LINE PROTECTION
		BCU - DIGITAL INPUT CRT
		Call 1 Approved
		Call 2 Approved
		Call 3 Approved For Information
		Call 4 Not Approved

Approved Letter / Mat No 376 Dt. 19-3-16

ENGG. CELL

GETCO

Released For Manufacture
 Released For Construction
 Released For Information

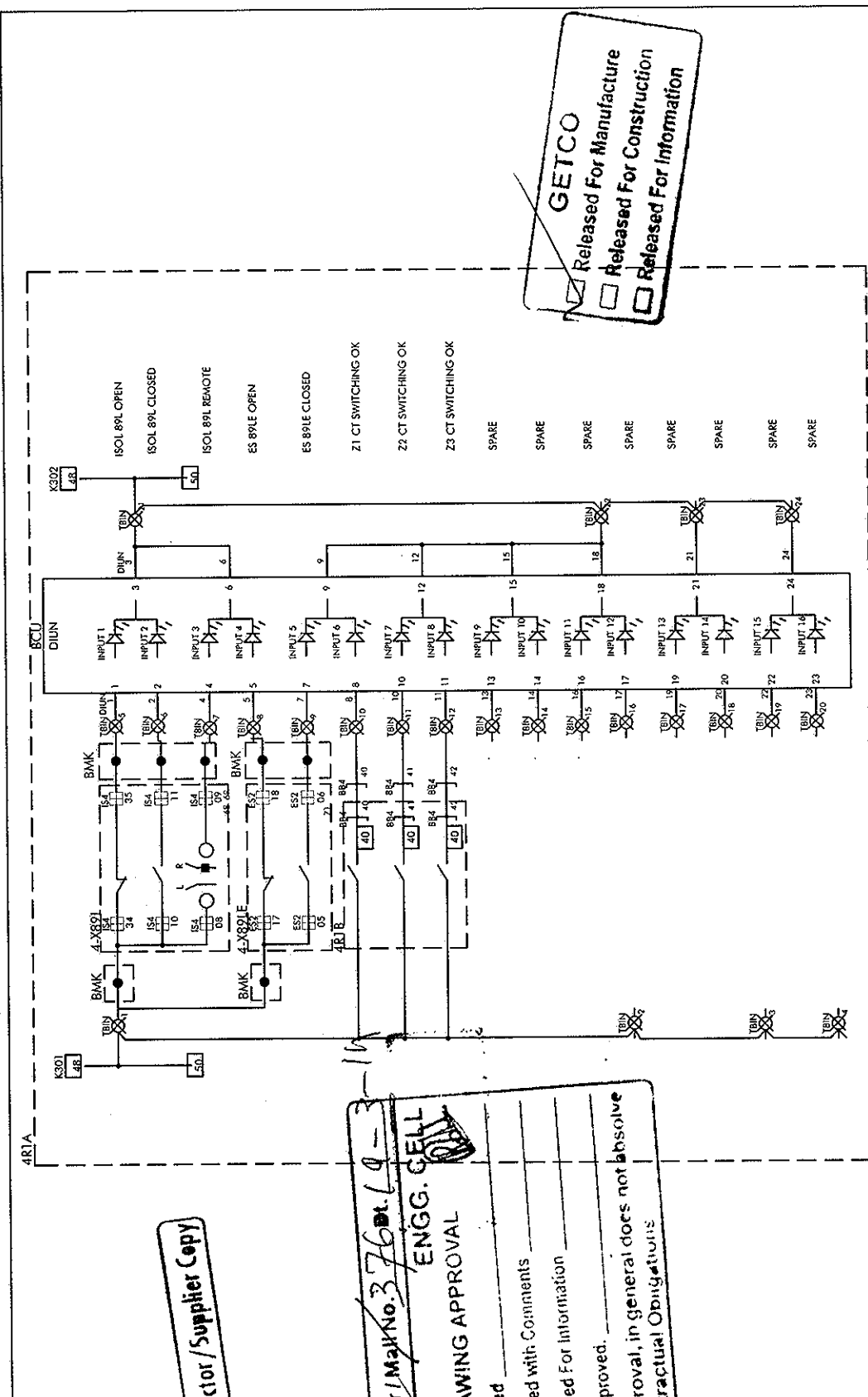
The above approval, in general does not release you from Contractual Obligations

SR. No.-1 Contractor/Supplier Copy

Approval Letter / Mail No. 376 dt. 19-11-13
GETCO
 ENG. CELL
 DRAWING APPROVAL

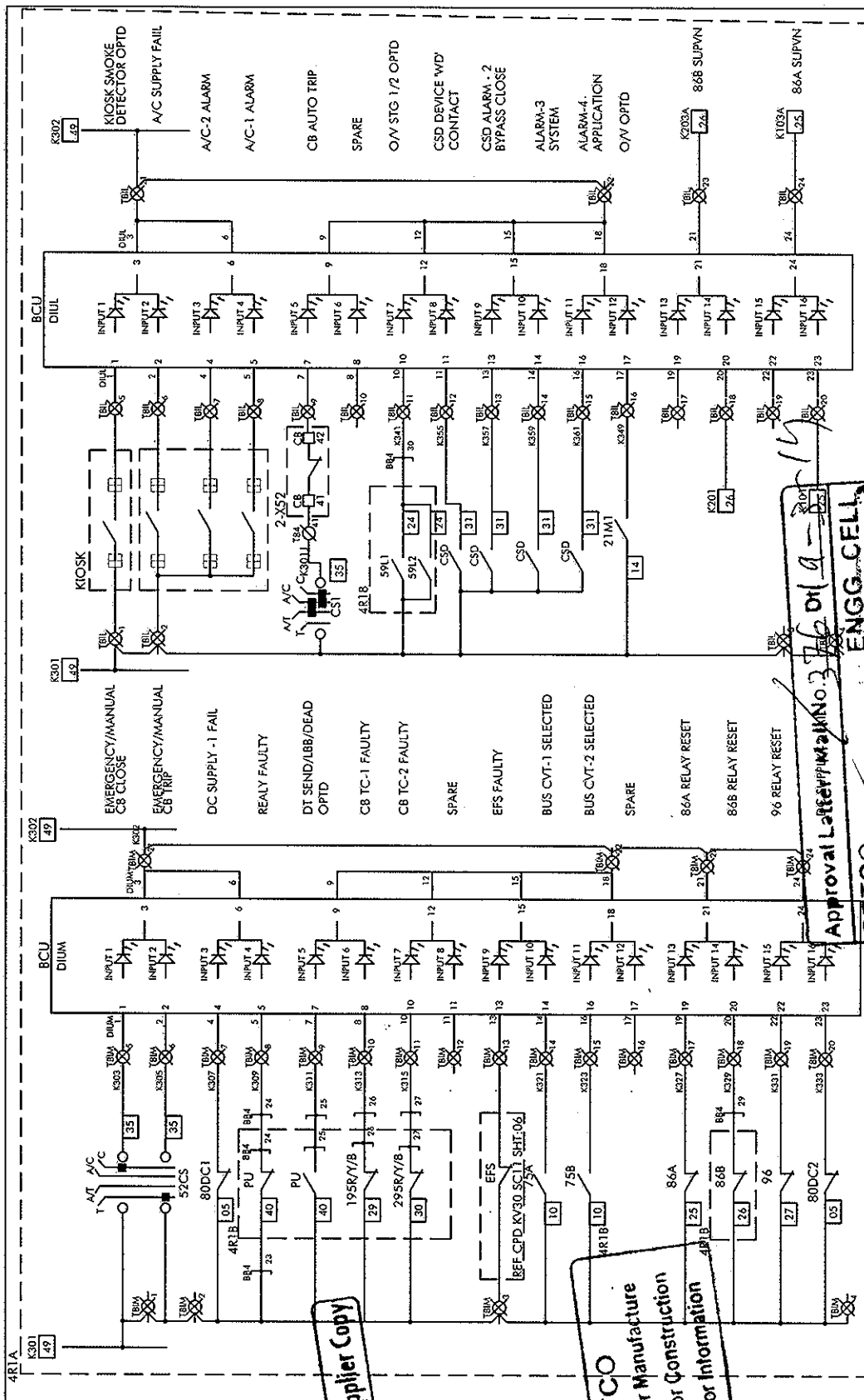
Cat-1 Approved
 Cat-2 Approved with Comments
 Cat-3 Approved For Information
 Cat-4 Not Approved.

The above approval, in general does not absolve you from Contractual Obligations



GETCO
 Released For Manufacture
 Released For Construction
 Released For Information

FOR ALSTOM REF:	ENGG. REF. NO.: KV30	PREPARED BY: GKA	REVISION: B
SCHEME TYPE: FEEDER		CHECKED BY: AMA	DATE: 10.03.2014
BASE FILE:		APPROVED BY: JKK	SCALE: ..
SALES ORDER: 3269PR027		DRG. NO.: CPD KV30 SC11	SHT 49 OF 71
CUSTOMER: GETCO/ALSTOM T&D India Ltd PROJECT: 400/220/6KV CRPSSAS AT SANGHAM/SYS P.O.NO.: 5427-4500660137 Dated 09.10.2013		SCHEMATIC DRAWING PANEL TYPE: 4RIA 4R18 TITLE: 400KV LINE PROTECTION BCU - DIGITAL INPUT C/T	
ALSTOM ALSTOM T&D India Limited - AUTOMATION SAS PALLAVARAM, CHENNAI 600043			



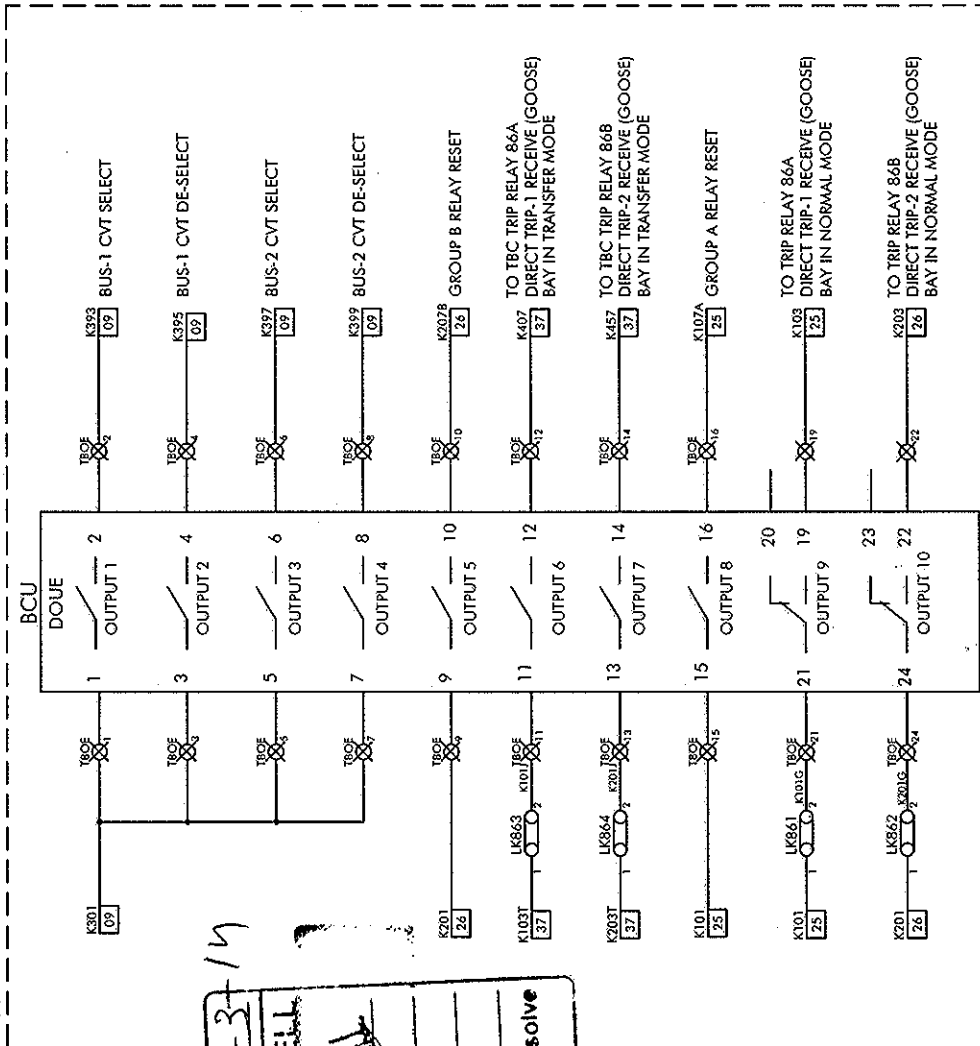
FOR ALSTOM REF.	ENG.G. REF. NO. : K300	REVISION : 8
SCHEME TYPE: FEEDER	CUSTOMER: GETCO/ALSTOM Tech India Ltd	PREPARED BY: OVA
BASE FILE:	PROJECT: 400/220/6KV CBSS&S AT SANKHARI S/S	CHECKED BY: AM
SALES ORDER: 32699827	P.O. NO.: 5427-4500660137	APPROVED BY: JKK
	Dated: 09.10.2013	FILE: DV001150
		TITLE: 400KV LINE PROTECTION
		8CU - DIGITAL INPUT CRT
		PALLAVARAM, CHENNAI 600043
		DRG. NO.: CPD KV30 SC11 SHT 50 OF 71

SR. No.-1 Contractor / Supplier Copy

GETCO
 Released For Manufacture
 Released For Construction
 Released For Information

Approval Letter No. 3 of 9
GETCO APPROVAL
DRAWING
 PANEL TYPES: 4R A-4R1B
 Cat-1 Approved
 Cat-2 Approved with Comments
 Cat-3 Approved For Information
 Cat-4 Not Approved.
 The above approval, in general does not absolve you from Contractual Obligations

4RIA



Approval Letter / Mail No. 376 Di (9-3-14)
GETCO
 ENGG. CELL
 DRAWING APPROVAL
 Cat-1 Approved
 Cat-2 Approved with Comments
 Cat-3 Approved For Information
 Cat-4 Not Approved.
 The above approval, in general does not absolve you from Contractual Obligations.

GETCO
 Released For Manufacture
 Released For Construction
 Released For Information

FOR ALSTOM REF.	ENG. REF. NO.: KV30	REVISION: B
SCHEME TYPE: FEEDER	FILE: DV301151	DATE: 10.03.2014
BASE FILE:	TITLE: 400KV LINE PROTECTION	APPROVED BY: JJK
SALES ORDER: 3259PP827	BCU - DIGITAL OUTPUT CKT	SCALE: ..
		DWG. NO.: CPD KV30 SC11 SHT 51 OF 71

ALSTOM
 ALSTOM T&D India Limited - AUTOMATION SAS
 PALLAVARAM, CHENNAI 600043

CUSTOMER: GETCO/ALSTOM T&D India Ltd
 PROJECT: 400/220/66KV CPE&SAS AT SANKHARI S/S
 P.O.NO.: 5497-4500660137
 Dated: 09.10.2013

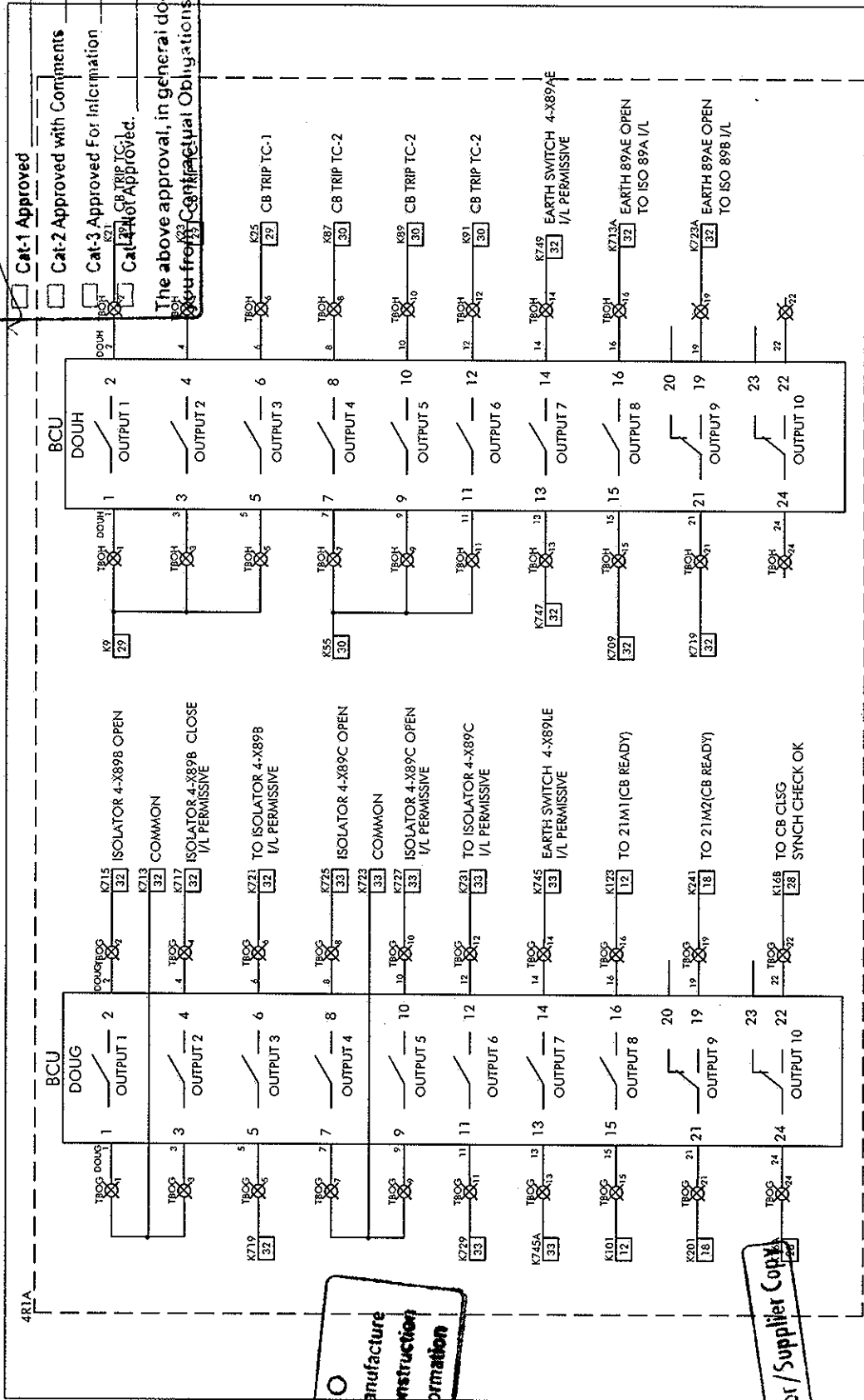
SR. No.-1 Contractor/Supplier Copy

Approval Letter / Mail No. 37 br. 10-3-14

ENG. CELL
DRAWING APPROVAL

Cat-1 Approved
 Cat-2 Approved with Comments
 Cat-3 Approved For Information
 Callout Not Approved.

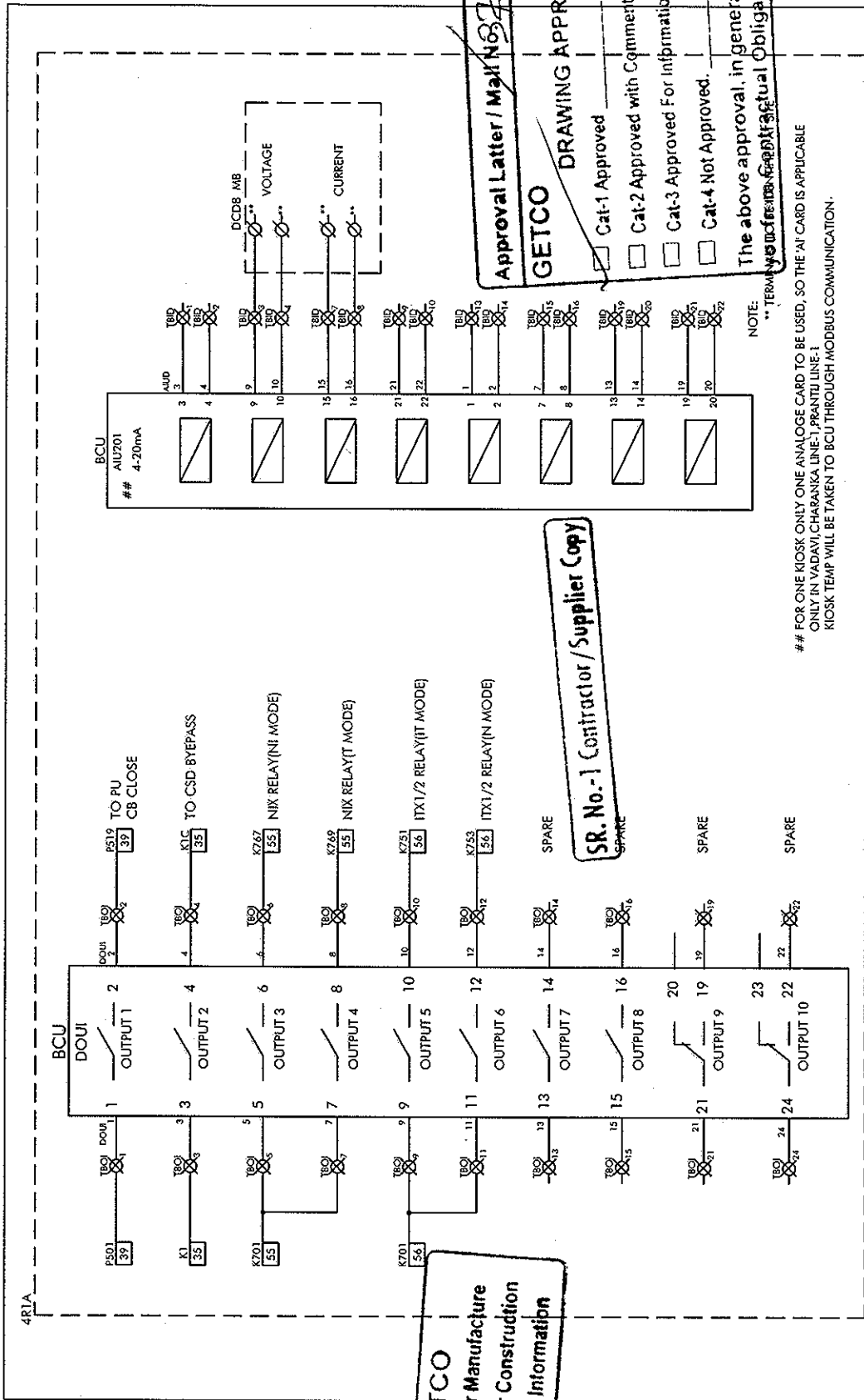
The above approval, in general does not absolve
 the contractor from Contractual Obligations



GETCO
 Released For Manufacture
 Released For Construction
 Released For Information

SR. No.-1 Contractor/Supplier Copy

FOR ALSTOM REF:	ENG. REF. NO.: KV90	REVISION: B
SCHEME TYPE: FEEDER		DATE: 10.03.2014
BASE FILE:		APPROVED BY: JKK
SALES ORDER: 325699827		SCALE: --
CUSTOMER: GETCO/ALSTOM T&D India Ltd		DRG. NO.: CPD KV90 SC11 SHT 53 OF 71
PROJECT: 400/220/66KV CBES/SAS AT SANKHAR S/S		
P.O. NO.: 5427-4500660137		
Date: 09.10.2013		
ALSTOM		
ALSTOM T&D India Limited - AUTOMATION SAS		
PALLAVARAM, CHENNAI 600043		
SCHEMATIC DRAWING		FILE: DV901153
PANEL TYPE: 4RIA 4R1B		
TITLE: 400KV LINE PROTECTION		
BCU - DIGITAL OUTPUT CRT		



GETCO
 Released For Manufacture
 Released For Construction
 Released For Information

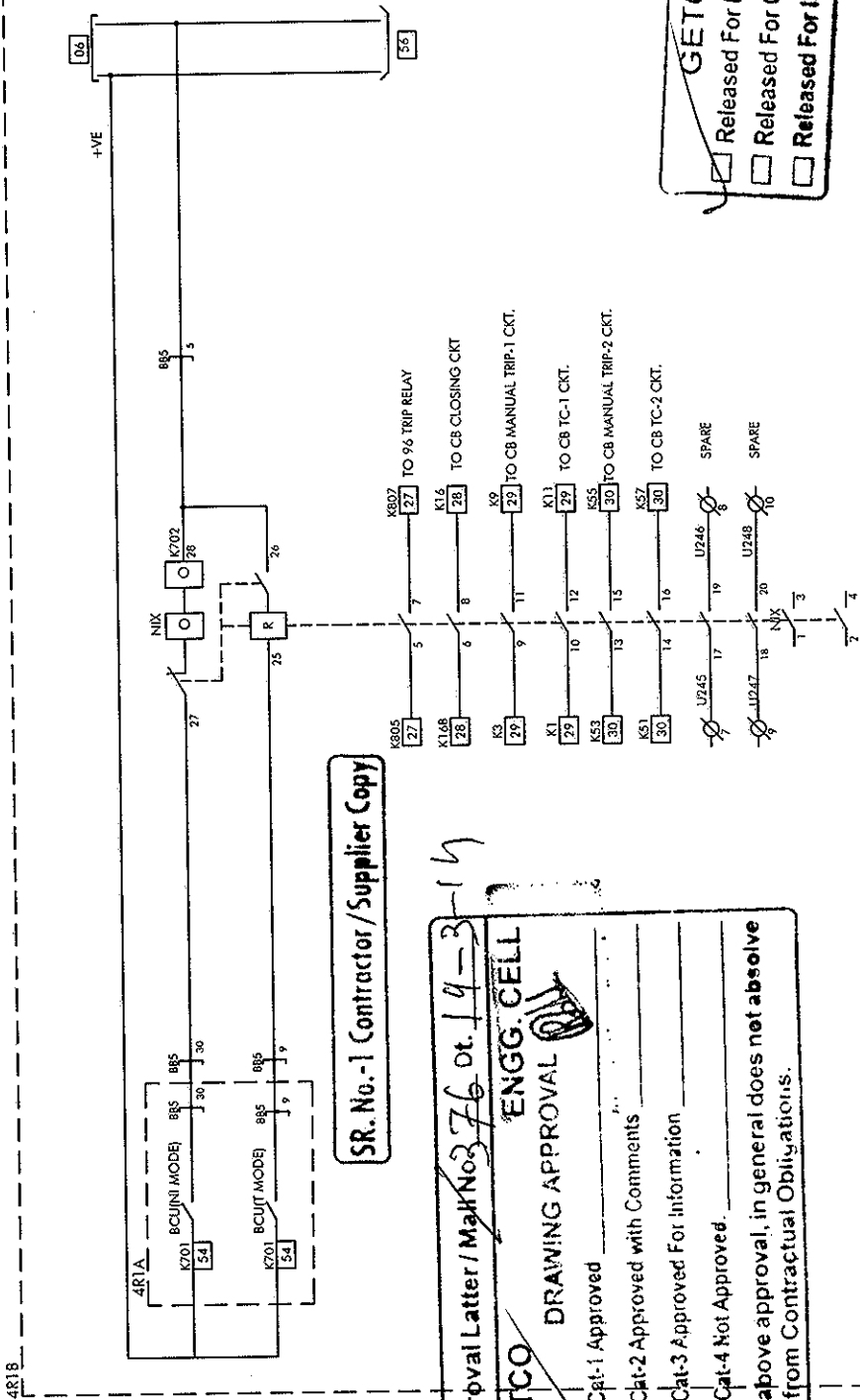
SR. No.-1 Contractor / Supplier Copy

Approval Letter / Mail No. 8276 dt. 9-3-11
GETCO
 DRAWING APPROVAL
 Cat-1 Approved
 Cat-2 Approved with Comments
 Cat-3 Approved For Information
 Cat-4 Not Approved.
 The above approval, in general does not absolve us of our actual Obligations.
 ENGG. CELL

FOR ONE KIOSK ONLY ONE ANALOGUE CARD TO BE USED, SO THE AI CARD IS APPLICABLE ONLY IN VADAVI, CHARANKA LINE-1, PRANTH LINE-1
 KIOSK TEMP WILL BE TAKEN TO BCU THROUGH MODBUS COMMUNICATION.

FOR ALSTOM REF:	ENGG REF NO.: KV30	PREPARED BY: OSA	REVISION: B
SCHEME TYPE: FEEDER		CHECKED BY: AM	DATE: 10.03.2014
BASE FILE:		APPROVED BY: JKC	SCALE: **
SALES ORDER: 32499P9827		FILE: DV801154	DRG. NO.: CPD KV30 SC11 SHT 54 OF 71
CUSTOMER: GETCO/ALSTOM T&D India Ltd		SCHEMATIC DRAWING	
PROJECT: 400/720/66KV CRPSAS AT SANKHAR S/S		PANEL TYPES: 4RTA 4R1B	
P.O.NO.: 5427.4500460107		TITLE: 40KV LINE PROTECTION	
Dated: 09.10.2013		BCU - DIGITAL OUTPUT CRT	
		ALSTOM ALSTOM T&D India Limited - AUTOMATION SAS PALAYAKKAM, CHENNAI 600043	

EQUIP	MR
TYPE	MA/JM14
LOC	4R1B



SR. No.-1 Contractor/Supplier Copy

Approval Letter / Mat No. 376 dt. 19-3-14

GETCO **ENG. CELL**

DRAWING APPROVAL

Cat-1 Approved

Cat-2 Approved with Comments

Cat-3 Approved For Information

Cat-4 Not Approved.

The above approval, in general does not absolve you from Contractual Obligations.

GETCO

Released For Manufacture

Released For Construction

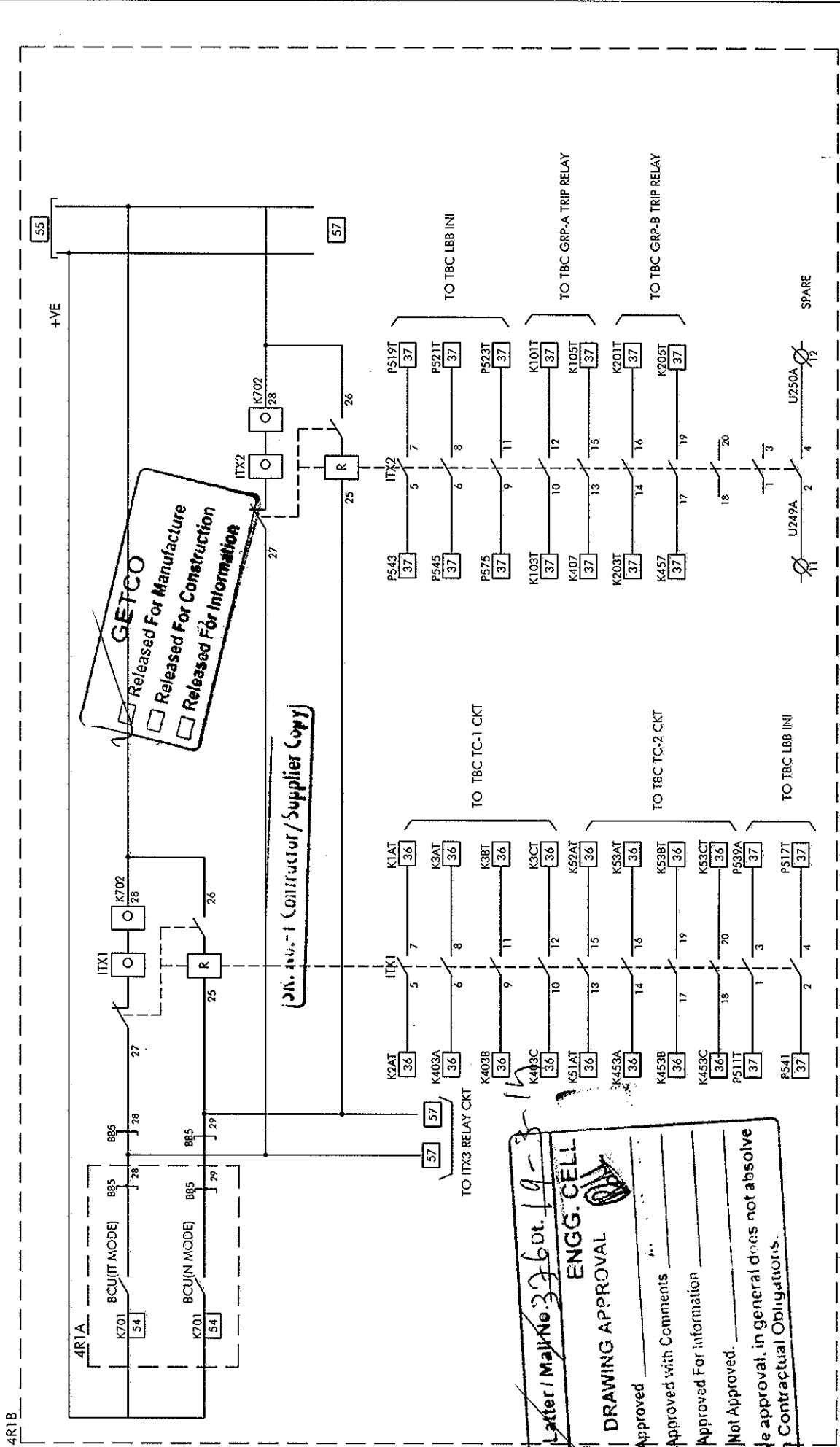
Released For Information

FOR ALSTOM REF:	ENGG. REF. NO.: N/30	CUSTOMER:	GETCO/ALSTOM T&D India Ltd
SCHEME TYPE: FEEDER		PROJECT:	400/220/66KV CRIPAS AT SANHAR 5/S
BASE FILE:		P.O. NO.:	547-4500640137
SALES ORDER:	3269P827	Dated:	09.10.2013
SCHEMATIC DRAWING		FILE:	DV301155
PANEL TYPE: 4R1A 4R1B		PREPARED BY:	GKA
TITLE: 400KV LINE PROTECTION IN CONTACT MUL. CKT.		CHECKED BY:	AM
		APPROVED BY:	JK
		DATE:	10.03.2014
		SCALE:	--
		DRG. NO.:	CPD (V30 SC11) SHT 55 OF 71

ALSTOM

ALSTOM T&D India Limited - AUTOMATION SAS
PALLAVARAM, CHENNAI 600043

EQPT	ITX/ITZ
TYPE	MVAJMI14
LOC	4RTB



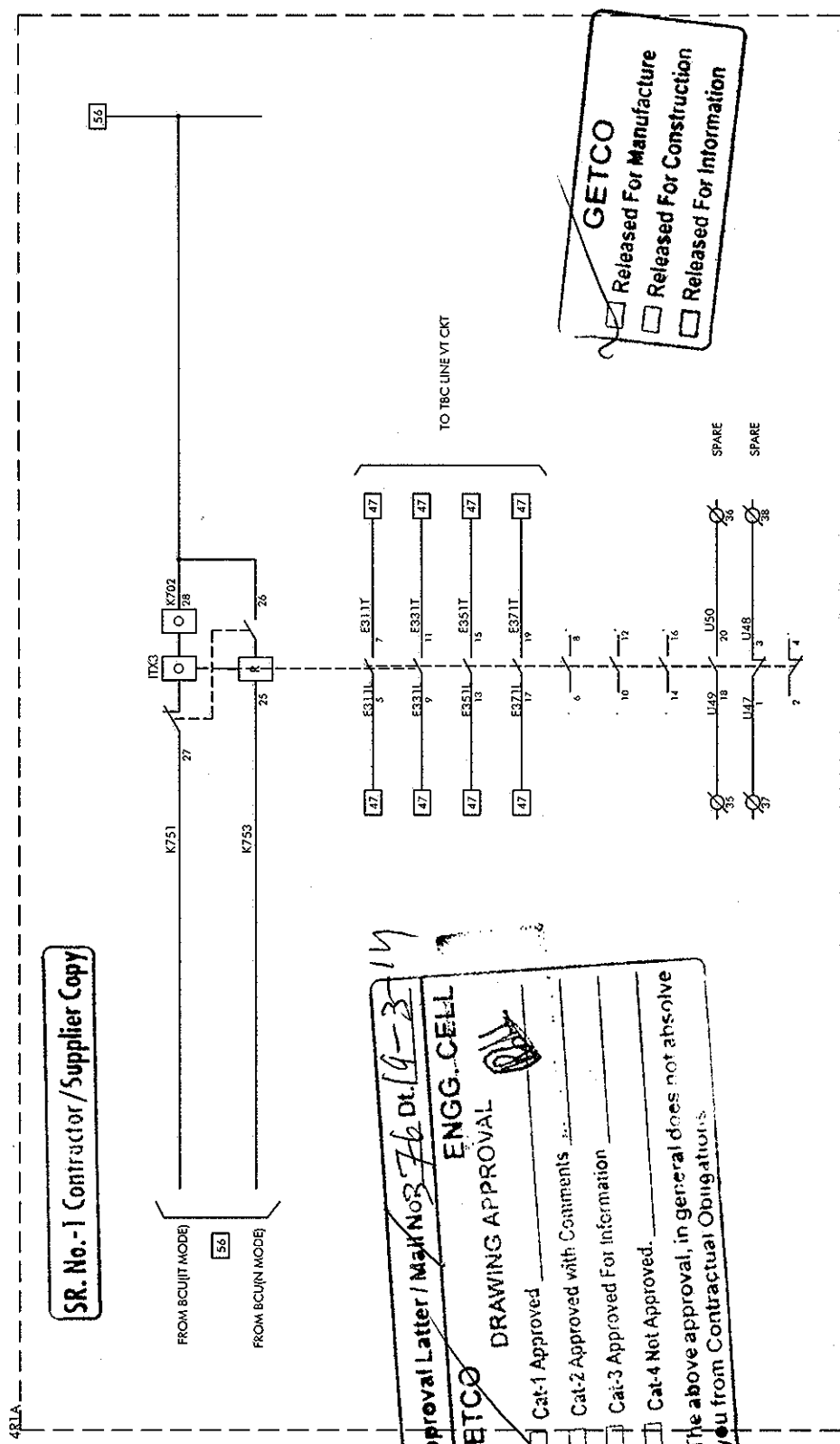
GETCO
 Released For Manufacture
 Released For Construction
 Released For Information

PA. Govt Contractor/Supplier Copy

Approval Letter / Mail No 326 dt. 19-09-2013
ETCO
ENG. CELL
DRAWING APPROVAL
 Cat-1 Approved
 Cat-2 Approved with Comments
 Cat-3 Approved For information
 Cat-4 Not Approved.
 The above approval, in general does not absolve you from Contractual Obligations.

FOR ALSTOM REF:	ENG. REF. NO.: KV30	PREPARED BY: GKA	REVISION: A
SCHEME TYPE: FEEDER		CHECKED BY: AM	DATE: 19.02.2014
BASE FILE:		APPROVED BY: JKK	SCALE: --
SALES ORDER: 3269PP827		FILE: DV301156	DRG. NO.: CPD KV30 SC11 SHT 56 OF 71
CUSTOMER: GETCO/ALSTOM T&D India Ltd PROJECT: 400/220/66KV CRP&SAS AT SANKHARI S/S P.O.NO.: 5427-4500660137 Dated: 09.10.2013		SCHEMATIC DRAWING PANEL TYPES: 4RIA 4R1B TITLE: 400KV LINE PROTECTION IT CONT MUL. CRT.	
ALSTOM ALSTOM T&D India Limited - AUTOMATION SAS PALLAVARAM, CHENNAI 600043			

EQPT	IRB
TYPE	NVA/JM14
LOC	4R1A



SR. No.-1 Contractor/Supplier Copy

Approval Letter / Mak No 376 Dt. 19-3-14

GETCO **ENGG. CELL**

DRAWING APPROVAL

Cat-1 Approved

Cat-2 Approved with Comments

Cat-3 Approved For Information

Cat-4 Not Approved.

The above approval, in general does not absolve you from Contractual Obligations.

GETCO

Released For Manufacture

Released For Construction

Released For Information

FOR ALSTOM REF:	ENGG. REF. NO.:	REVISED BY:	SKA	REVISION:	B
SCHEME TYPE: FEEDER	CUSTOMER: GETCO/ALSTOM T&D India Ltd	CHECKED BY:	AM	DATE:	10.03.2014
BASE FILE:	PROJECT: 400/220/66KV CBSS&S AT SANGHARI/S	APPROVED BY:	JJK	SCALE:	---
SALES ORDER: 3269PR827	P.O. NO.: 5427-450660137	FILE:	DV301157	DRG. NO.:	CPD KV30 SC11 SHT 57 OF 71
	Dated: 09.10.2013	TITLE:	400KV LINE PROTECTION	IT CONT MUL CRT.	
		<p>ALSTOM</p> <p>ALSTOM T&D India Limited - AUTOMATION SAS</p> <p>PALLAVARAM, CHENNAI 600043</p>		<p>SCHMATIC DRAWING</p> <p>PANEL TYPE: 4R1A-4R1B</p>	

TERMINAL REF.	SFT NO.	FROM/TO PANEL	DESCRIPTION
CB-01	48	4RIA	CB SPRING CHARGED-RPH
CB-02	48	4RIA	CB SPRING CHARGED-RPH
CB-03	48	4RIA	CB SPRING CHARGED-YPH
CB-04	48	4RIA	CB SPRING CHARGED-YPH
CB-05	48	4RIA	CB SPRING CHARGED-BPH
CB-06	48	4RIA	CB SPRING CHARGED-BPH
CB-07	48	4RIA	AUTO RECLOSURE CB HEALTHY
CB-08	48	4RIA	AUTO RECLOSURE CB HEALTHY
CB-09	48	4RIA	5% LOW ALARM
CB-10	48	4RIA	5% LOW ALARM
CB-11	48	4RIA	5% LOCKOUT-1
CB-12	48	4RIA	5% LOCKOUT-1
CB-13	48	4RIA	5% LOCKOUT-2
CB-14	48	4RIA	5% LOCKOUT-2
CB-15	48	4RIA	POLE DISCREPANCY
CB-16	48	4RIA	POLE DISCREPANCY
CB-17	48	4RIA	DC SUPPLY-1 FAIL
CB-18	48	4RIA	DC SUPPLY-1 FAIL
CB-19	48	4RIA	DC SUPPLY-2 FAIL
CB-20	48	4RIA	DC SUPPLY-2 FAIL
CB-21	48	4RIA	AC SUPPLY FAIL
CB-22	48	4RIA	AC SUPPLY FAIL
CB-23	48	4RIA	MOTOR MCB TRIP
CB-24	48	4RIA	MOTOR MCB TRIP
CB-25	48	4RIA	L/R MODE COMMON
CB-26	48	4RIA	CB IN LOCAL MODE
CB-27	48	4RIA	CB IN REMOTE MODE
CB-28	28	4RIB	DC SUPPLY +VE CB TC-1
CB-29	28	4RIB	DC SUPPLY -VE CB TC-1
CB-30	28	4RIB	COMMON +VE

SR. No. - 1 Contractor / Supplier Copy

GEICO
 Released For Manufacture
 Released For Construction
 Released For Information

Approval Letter / Mail No. 376 Dt. 19-3-14
GEICO
 DRAWING APPROVAL
 ENGG. CELL
 Cat-1 Approved
 Cat-2 Approved with Comments
 Cat-3 Approved For Information
 Cat-4 Not Approved.
 The above approval, in general does not absolve you from Contractual Obligations

FOR ALSTOM REF.:	ENG. REF. NO.: KV30	REVISION: B
SCHEME TYPE: FEEDER	FILE: DV301158	CHECKED BY: AM DATE: 10.03.2014
BASE FILE:	ALSTOM T&D India Limited - AUTOMATION SAS	APPROVED BY: JKK SCALE: -
SALES ORDER: 3269PP227	PALLAVARAM, CHENNAI 600043	DRG. NO.: CPD KV30 SC11 SHT 58 OF 71

CUSTOMER: GEICO/ALSTOM T&D India Ltd
 PROJECT: 400/220/66KV CR16SAS AT SANKHAB S/S
 P.O.NO.: 5427-4500660137
 Dated: 09.10.2013

SCHMATIC DRAWING
 PANEL TYPE: 4RIA-4RIB
 TITLE: 400KV LINE PROTECTION
 MAKE SPECIFIC CB (4XS2) TERMINALS

TERMINAL REF.	SHT NO.	FROM TO PANEL	DESCRIPTION
CB-31	28	4R1B	A/R CLOSE
CB-32	28	4R1B	REMOTE CLOSE
CB-33	28	4R1B	LOCAL CS VL
CB-34	28	4R1B	LOCAL CS RL
CB-35R	29	4R1B	REMOTE TRIP-1
CB-35Y	29	4R1B	REMOTE TRIP-1
CB-35B	29	4R1B	REMOTE TRIP-1
CB-36	29	4R1B	PROTN. TRIP-R PH
CB-37	29	4R1B	PROTN. TRIP-Y PH
CB-38	29	4R1B	PROTN. TRIP-B PH
CB-39	29	4R1B	PRE CLOSE SUPPN. R PH
CB-40	29	4R1B	PRE CLOSE SUPPN. R PH
CB-41	29	4R1B	PRE CLOSE SUPPN. Y PH
CB-42	29	4R1B	PRE CLOSE SUPPN. Y PH
CB-43	29	4R1B	PRE CLOSE SUPPN. B PH
CB-44	29	4R1B	PRE CLOSE SUPPN. B PH
CB-45	30	4R1B	DC SUPPLY-2 +VE
CB-46	30	4R1B	DC SUPPLY-2 -VE
CB-47	30	4R1B	COMMON FOR TC-2
CB-48R	30	4R1B	REMOTE TRIP-2
CB-48Y	30	4R1B	REMOTE TRIP-2
CB-48B	30	4R1B	REMOTE TRIP-2
CB-49	30	4R1B	PROTN/POST CLOSE R PH
CB-50	30	4R1B	PROTN/POST CLOSE Y PH
CB-51	30	4R1B	PROTN/POST CLOSE B PH
CB-52	30	4R1B	PRE CLOSE SUPPN. R PH
CB-53	30	4R1B	PRE CLOSE SUPPN. R PH
CB-54	30	4R1B	PRE CLOSE SUPPN. Y PH
CB-55	30	4R1B	PRE CLOSE SUPPN. Y PH
CB-56	30	4R1B	PRE CLOSE SUPPN. B PH

SK. No. 1 Cont. Draw / Supplier Copy

GETCO
 Released For Manufacture
 Released For Construction
 Released For Information

Approval Letter / Mat. No. 376 DL 19-3-14
ENG. CELL
GETCO
DRAWING-APPROVAL
 Cat-1 Approved
 Cat-2 Approved with Comments
 Cat-3 Approved For Information
 Cat-4 No. Approved
The above approval in general does not absolve you from Contractual Obligations

FOR ALSTOM REF.:	ENGG. REF. NO.:	REVISED BY:	REVISION:
SCHEME TYPE: FEEDER	NO.:	CHKD BY: AM	DATE: 10.03.2014
BASE FILE:		APPROVED BY: JKK	SCALE:
SALES ORDER: 32699P827		DRG. NO.: CPD KV30 SC11 SHT 59 OF 71	

ALSTOM ALSTOM T&D India Limited - AUTOMATION SAS PALLAVARAM, CHENNAI 600043	SCHEMATIC DRAWING PANEL TYPE: 4R1A-4R1B TITLE: 400KV LINE PROTECTION MAKE SPECIFIC CB (4-352) TERMINALS	FILE: DV301159 DATE: 10.03.2014
--	--	------------------------------------

CUSTOMER: GETCO/ALSTOM T&D India Ltd PROJECT: 400/220/66KV CBSSAS AT SANKHABI S/S P.O. NO.: 5427-4506640137 Dated: 09.10.2013
--

TERMINAL REF.	SHT NO.	FROM TO PANEL	DESCRIPTION
CB-57	30	4R1B	PRE CLOSE SUPPLY B PH
CB-58	46	4R1A	CB R PH CLOSED
CB-59	46	4R1A	CB R PH CLOSED
CB-60	39	4R1B	MAIN CB CLOSED
CB-61	39	4R1B	MAIN CB CLOSED
CB-62	48	4R1A	CB R PH OPEN
CB-63	48	4R1A	CB R PH OPEN
CB-64	39	4R1B	MAIN CB OPEN
CB-65	39	4R1B	MAIN CB OPEN
CB-66	31	4R1B	CB R PH OPEN
CB-67	31	4R1B	CB R PH OPEN
CB-68			NO CONTACT
CB-69			NO CONTACT
CB-70			NO CONTACT
CB-71			NO CONTACT
CB-72	13	4R1A	MAIN CB R PH OPEN
CB-73	13	4R1A	MAIN CB R PH OPEN
CB-74	18	4R1B	MAIN CB R PH OPEN
CB-75	18	4R1B	MAIN CB R PH OPEN
CB-76			NO CONTACT
CB-77			NO CONTACT
CB-78	4R1A		CB Y PH CLOSED
CB-79	4R1A		CB Y PH CLOSED
CB-80	39	4R1B	MAIN CB CLOSED
CB-81	39	4R1B	MAIN CB CLOSED
CB-82	48	4R1A	CB Y PH OPEN
CB-83	48	4R1A	CB Y PH OPEN
CB-84	39	4R1B	MAIN CB OPEN
CB-85	39	4R1B	MAIN CB OPEN
CB-86	31	4R1B	CB Y PH OPEN

SR. No. - 1 Contractor / Supplier Copy

GETCO
 Released For Manufacture
 Released For Construction
 Released For Information

Approval Letter No. 37 Oct 19 3-14
GETCO
 DRAWING APPROVAL
 Cat-1 Approved
 Cat-2 Approved with Comments
 Cat-3 Approved For Information
 Cat-4 Not Approved.
 The above approval in general does not absolve you from Contractual Obligations.

FOR ALSTOM REF:	ENG. REF. NO.: KV30	PREPARED BY: CSA	REVISION: B
SCHEME TYPE: FEEDER		CHECKED BY: AM	DATE: 10.03.2014
BASE FILE:		APPROVED BY: JIK	SCALE: --
SALES ORDER: 32499P827		FILE: DV301160	DRG. NO.: CPD KV30 SC11 SH1 60 OF 71
CUSTOMER: GETCO/ALSTOM T&D India Ltd		SCHEMATIC DRAWING	
PROJECT: 400/220/66KV CB&S AS AT SANGHARI S/S		PANEL TYPES: 4R1A 4R1B	
P.O. NO.: 5427-600660137		TITLE: 400KV LINE PROTECTION	
Dated: 09.10.2013		MAKE SPECIFIC CB (4-X/52) TERMINALS	
ALSTOM			
ALSTOM T&D India Limited - AUTOMATION SAS PALLAVARAM, CHENNAI 600043			

TERMINAL REF.	SHT NO.	FROM/TO PANEL	DESCRIPTION
CB-87	31	4R1B	CB Y PH OPEN
CB-88			NO CONTACT
CB-89			NO CONTACT
CB-90			NO CONTACT
CB-91			NO CONTACT
CB-92	13	4R1A	MAIN CB Y PH OPEN
CB-93	13	4R1A	MAIN CB Y PH OPEN
CB-94	18	4R1B	MAIN CB Y PH OPEN
CB-95	18	4R1B	MAIN CB Y PH OPEN
CB-96			NO CONTACT
CB-97			NO CONTACT
CB-98	48	4R1A	CB B PH CLOSED
CB-99	48	4R1A	CB B PH CLOSED
CB-100	39	4R1B	MAIN CB CLOSED
CB-101	39	4R1B	MAIN CB CLOSED
CB-102	48	4R1A	CB B PH OPEN
CB-103	48	4R1A	CB B PH OPEN
CB-104	39	4R1B	MAIN CB OPEN
CB-105	39	4R1B	MAIN CB OPEN
CB-106	31	4R1B	CB B PH OPEN
CB-107	31	4R1B	CB B PH OPEN
CB-108			NO CONTACT
CB-109			NO CONTACT
CB-110			NO CONTACT
CB-111			NO CONTACT
CB-112	13	4R1A	MAIN CB B PH OPEN
CB-113	13	4R1A	MAIN CB B PH OPEN
CB-114	18	4R1B	MAIN CB B PH OPEN
CB-115	18	4R1B	MAIN CB B PH OPEN
CB-116			NO CONTACT
CB-117			NO CONTACT

GEICO
 Released For Manufacture
 Released For Construction
 Released For Information

SR. No. - 1 Contractor / Supplier Copy

Approval Letter / Mail No. 376019-3-14
GEICO
ENGG. CELL
DRAWING APPROVAL
 Cat-1 Approved
 Cat-2 Approved with Comments
 Cat-3 Approved For Information
 Cat-4 Not Approved.
The above approval, in general, does not absolve you from Contractual Obligations.

FOR ALSTOM REF.:	ENGG REF. NO.:	REVISON:	B
SCHEME TYPE: FEEDER	NO.:	CHECKED BY:	AM
BASE FILE:		APPROVED BY:	JJK
SALES ORDER: 32697P827		DATE:	10.03.2014
		SCALE:	
CUSTOMER: GETCO/ALSTOM T&D India Ltd		FILE: D:\0201161	
PROJECT: 400/220/66KV CR&SAS AT SANCHARI S/S		TITLE: 400KV LINE PROTECTION	
P.O. NO.: 5427-460660137		MAKE SPECIFIC CB (4-352) TERMINALS	
Dated: 09.10.2013		DRG. NO.: CPD KV30 SC11_SHT 61 OF 71	
ALSTOM			
ALSTOM T&D India Limited - AUTOMATION SAS PALLAVARAM, CHENNAI 600040			

TERMINAL REF.	SHT NO.	FROM/TO PANEL	DESCRIPTION
			SR. No.: 1 Contractor/Supplier Copy
ISI-01	32	4RIA	DC SUPPLY +VE
ISI-02	32	4RIA	DC SUPPLY -VE
ISI-03	32	4RIA	COMMON
ISI-04	32	4RIA	OPEN
ISI-05	32	4RIA	CLOSE
ISI-06	32	4RIA	INTERLOCK PERMISSIVE
ISI-07	32	4RIA	INTERLOCK PERMISSIVE
ISI-08	48	4RIA	REMOTE MODE
ISI-09	48	4RIA	REMOTE MODE
ISI-10	48	4RIA	ISOLA CLOSED
ISI-11	48	4RIA	ISOLA CLOSED
ISI-12			NO CONTACTS
ISI-13			NO CONTACTS
ISI-14	39	4R1B	ISOLA CLOSED
ISI-15	39	4R1B	ISOLA CLOSED
ISI-16			NO CONTACTS
ISI-17			NO CONTACTS
ISI-18			NO CONTACTS
ISI-19			NO CONTACTS
ISI-20			NO CONTACTS
ISI-21			NO CONTACTS
ISI-22			NO CONTACTS
ISI-23			NO CONTACTS
ISI-24			NO CONTACTS
ISI-25			NO CONTACTS
ISI-26			NO CONTACTS
ISI-27			NO CONTACTS
ISI-28			NO CONTACTS
ISI-29			NO CONTACTS
ISI-30			NO CONTACTS

GETCO
 Released For Manufacture
 Released For Construction
 Released For Information

Approval Letter / Mail No. 376 Dt. 19-3-14
GETCO
 DRAWING APPROVAL
 Cat-1 Approved
 Cat-2 Approved with Comments
 Cat-3 Approved For Information
 Cat-4 Not Approved.
 The above approval, in general does not absolve you from Contractual Obligations.

FOR ALSTOM REF: SCHEME TYPE: FEEDER BASE FILE: SALES ORDER: 3269PB27	ENGG. REF. NO.: KV3D CUSTOMER: GETCO/ALSTOM T&D India Ltd PROJECT: 400/20/66KV CPP&SAS AT SANKHARI S/S P.O. NO.: 5427-4506040137 Dated: 09.10.2013	ALSTOM ALSTOM T&D India Limited - AUTOMATION SAS PALAVARAM, CHENNAI 600043	SCHEMATIC DRAWING PANEL TYPES: 4RIA 4R1B TITLE: 400KV LINE PROTECTION MAKE SPECIFIC CB (4-X89A) TERMINALS
PREPARED BY: GKA CHECKED BY: AM APPROVED BY: JKK		REVISION: B DATE: 10.03.2014 SCALE: .. DRG. NO.: CPD KV3D SCT11 SHT 62 OF 71	

TERMINAL REF.	SFT NO.	FROM/TO PANEL	DESCRIPTION
IS1-31			NO CONTACTS
IS1-32			NO CONTACTS
IS1-33			NO CONTACTS
IS1-34	48	4R1A	ISOLA OPEN
IS1-35	48	4R1A	ISOLA OPEN
IS1-36	39/	4R1B	ISOLA OPEN
IS1-37	39	4R1B	ISOLA OPEN
IS1-38	28	4R1B	LOCAL CLOSING I/L
IS1-39	28	4R1B	LOCAL CLOSING I/L
IS1-40			NC CONTACTS
IS1-41			NC CONTACTS
IS1-42			NC CONTACTS
IS1-43			NC CONTACTS
IS1-44			NC CONTACTS
IS1-45			NC CONTACTS
IS1-46			NC CONTACTS
IS1-47			NC CONTACTS
IS1-48			NC CONTACTS
IS1-49			NC CONTACTS
IS1-50			NC CONTACTS
IS1-51			NC CONTACTS
IS1-52			NC CONTACTS
IS1-53			NC CONTACTS
IS1-54			NC CONTACTS
IS1-55			NC CONTACTS
IS1-56			NC CONTACTS
IS1-57			NC CONTACTS

SR. No. - 1 Contractor/Supplier Copy

GETCO
 Released For Manufacture
 Released For Construction
 Released For Information

Approval Letter/ Mail No. 376 Dt. 1-3-14
GETCO
 DRAWING APPROVAL
 Cat-1 Approved
 Cat-2 Approved with Comments
 Cat-3 Approved For Information
 Cat-4 Not Approved
 The above approval in general does not absolve you from Contractual Obligations

FOR ALSTOM REF:	ENGGR. REF. NO.: KV30	PREPARED BY: CIA	REVISION: B
SCHEME TYPE: FEEDER		CHECKED BY: AM	DATE: 10.03.2014
BASE FILE:		APPROVED BY: JKK	SCALE: --
SALES ORDER: 3269PP827		DRG. NO.: CPD KV30 SC11 SHT 63 OF 71	

ALSTOM ALSTOM T&D India Limited - AUTOMATION SAS PALLAVARAM, CHENNAI 600043	SCHEMATIC DRAWING PANEL TYPE: 4R1A, 4R1B TITLE: 400KV LINE PROTECTION MAKE SPECIFIC CB (4X89A) TERMINALS
--	---

CUSTOMER: GETCO/ALSTOM T&D India Ltd PROJECT: 400/220/765KV GRFS&SAS AT SANKHAR S/S P.O.NO.: 5427-4500660137 Dated: 09.10.2013

TERMINAL REF.	SHT NO.	FROM TO PANEL	DESCRIPTION
IS2-01	32	4RIA	DC SUPPLY +VE
IS2-02	32	4RIA	DC SUPPLY -VE
IS2-03	32	4RIA	COMMON
IS2-04	32	4RIA	OPEN
IS2-05	32	4RIA	CLOSE
IS2-06	32	4RIA	INTERLOCK PERMISSIVE
IS2-07	32	4RIA	INTERLOCK PERMISSIVE
IS2-08	48	4RIA	REMOTE MODE
IS2-09	48	4RIA	REMOTE MODE
IS2-10	48	4RIA	ISOL-8 CLOSED
IS2-11	48	4RIA	ISOL-8 CLOSED
IS2-12			NO CONTACTS
IS2-13			NO CONTACTS
IS2-14	39	4R1B	ISO-8 CLOSED
IS2-15	39	4R1B	ISO-8 CLOSED
IS2-16			NO CONTACTS
IS2-17			NO CONTACTS
IS2-18			NO CONTACTS
IS2-19			NO CONTACTS
IS2-20			NO CONTACTS
IS2-21			NO CONTACTS
IS2-22			NO CONTACTS
IS2-23			NO CONTACTS
IS2-24			NO CONTACTS
IS2-25			NO CONTACTS
IS2-26			NO CONTACTS
IS2-27			NO CONTACTS
IS2-28			NO CONTACTS
IS2-29			NO CONTACTS
IS2-30			NO CONTACTS

SR. No. - 1 Contractor/Supplier Copy

GETCO
 Released For Manufacture
 Released For Construction
 Released For Information

Approval Letter / Mat No. 376 of 9-3-11
GETCO **ENGG CELL**
 DRAWING APPROVAL
 Cat-1 Approved
 Cat-2 Approved with Comments
 Cat-3 Approved for Information
 Cat-4 Not Approved.
 The above approval is general and not absolute
 you from Contractual Obligations

FOR ALSTOM REF: SCHEME TYPE: FEEDER BASE FILE: SALES ORDER: 3269PB27	ENGG REF NO.: KV30 CUSTOMER: GETCO/ALSTOM T&D India Ltd PROJECT: 400/220/66KV CBRSAS AT SANKHARI 5/5 P.O.NO.: 5477-450060137 Dated: 09.10.2013	PREPARED BY: GVA CHECKED BY: AM APPROVED BY: JJK DRG. NO.: CPD KV30 SC11 SHT 64 OF 71	REVISION: B DATE: 10.03.2014 SCALE: --
ALSTOM ALSTOM T&D India Limited - AUTOMATION SAS PALLAVARAM, CHENNAI 600043		SCHEMATIC DRAWING PANEL TYPE: 4RIA 4R1B FILE: DV301164 TITLE: 400KV LINE PROTECTION MAKE SPECIFIC CB (4-X898) TERMINALS	

TERMINAL REF.	SHT NO.	FROM/TO PANEL	DESCRIPTION
IS2-31			NO CONTACTS
IS2-32			NO CONTACTS
IS2-33			NO CONTACTS
IS2-34	48	4RIA	ISOL-8 OPEN
IS2-35	48	4RIA	ISOL-8 OPEN
IS2-36	39	4RIB	ISOL-8 OPEN
IS2-37	39	4RIB	ISOL-8 OPEN
IS2-38	28	4RIB	LOCAL CLOSING I/L
IS2-39	28	4RIB	LOCAL CLOSING I/L
IS2-40			NC CONTACTS
IS2-41			NC CONTACTS
IS2-42			NC CONTACTS
IS2-43			NC CONTACTS
IS2-44			NC CONTACTS
IS2-45			NC CONTACTS
IS2-46			NC CONTACTS
IS2-47			NC CONTACTS
IS2-48			NC CONTACTS
IS2-49			NC CONTACTS
IS2-50			NC CONTACTS
IS2-51			NC CONTACTS
IS2-52			NC CONTACTS
IS2-53			NC CONTACTS
IS2-54			NC CONTACTS
IS2-55			NC CONTACTS
IS2-56			NC CONTACTS
IS2-57			NC CONTACTS

Pl. fig. 1 Contractor/Supplier Copy

GETCO
 Released For Manufacture
 Released For Construction
 Released For Information

Approval Letter/ Major 0376 dt. 19-3-16

GETCO
 DRAWING APPROVAL
 ENGG. CELL
 Cat-1 Approved
 Cat-2 Approved with Comments
 Cat-3 Approved For Information
 Cat-4 Not Approved.
 The above approval, in general does not absolve you from Contractual Obligations.

FOR ALSTOM REF.:	ENGG. REF. NO.:	KV30
SCHEMATIC TYPE: FEEDER		
BASE FILE:		
SALES ORDER: 3269PP827		
CUSTOMER: GETCO/ALSTOM T&D India Ltd PROJECT: 400/220/66KV CRPS&S AT SANRIHARI S/S P.O.NO.: 5427-4500640137 Dated: 09.10.2013		
ALSTOM ALSTOM T&D India Limited - AUTOMATION SAS PALAYAKKAM, CHENNAI 600043		
SCHEMATIC DRAWING PANEL TYPES: 4RIA 4RIB TITLE: 400KV LINE PROTECTION MAKE SPECIFIC CB (4-X898) TERMINALS		
PREPARED BY: GKA	REVISION: 8	
CHECKED BY: AM	DATE: 10.03.2014	
APPROVED BY: JIK	SCALE: --	
DRG. NO.: CPD KV30 SCT11 SHT 65 OF 71		

TERMINAL REF.	SHT NO.	FROM/TO PANEL	DESCRIPTION
ISS-01	33	4RIA	DC SUPPLY +VE
ISS-02	33	4RIA	DC SUPPLY -VE
ISS-03	33	4RIA	COMMON
ISS-04	33	4RIA	OPEN
ISS-05	33	4RIA	CLOSE
ISS-06	33	4RIA	INTERLOCK PERMISSIVE
ISS-07	33	4RIA	INTERLOCK PERMISSIVE
ISS-08	48	4RIA	REMOTE MODE
ISS-09	48	4RIA	REMOTE MODE
ISS-10	48	4RIA	ISOL-C CLOSED
ISS-11	48	4RIA	ISOL-C CLOSED
ISS-12			NO CONTACTS
ISS-13			NO CONTACTS
ISS-14	39	4R1B	ISO-C CLOSED
ISS-15	39	4R1B	ISO-C CLOSED
ISS-16			NO CONTACTS
ISS-17			NO CONTACTS
ISS-18			NO CONTACTS
ISS-19			NO CONTACTS
ISS-20			NO CONTACTS
ISS-21			NO CONTACTS
ISS-22			NO CONTACTS
ISS-23			NO CONTACTS
ISS-24			NO CONTACTS
ISS-25			NO CONTACTS
ISS-26			NO CONTACTS
ISS-27			NO CONTACTS
ISS-28			NO CONTACTS
ISS-29			NO CONTACTS
ISS-30			NO CONTACTS

SR No. - Contractor/Supplier Copy

GETCO
 Released For Manufacture
 Released For Construction
 Released For Information

Approval Letter No. 376 Dt. 19-3-14
 GETCO
 DRAWING APPROVAL
 Cat-1 Approved
 Cat-2 Approved with Comments
 Cat-3 Approved For Information
 Cat-4 Not Approved.
 The above approval, in general does not absolve you from Contractual Obligations

FOR ALSTOM REF.	ENGG. REF. NO.: K1709	CUSTOMER: GETCO/ALSTOM T&D India Ltd	PREPARED BY: GKA	REVISION: 8
SCHEME TYPE: FEEDER	PROJECT: 400/220/66KV CBSSAS AT SANRHA/S/S	P.O. NO.: 5427-480660137	CHECKED BY: AM	DATE: 10.03.2014
BASE FILE:	Dated: 07.10.2013	FILE: DV301166	APPROVED BY: JKK	SCALE: ..
SALES ORDER: 3269PB27		ALSTOM ALSTOM T&D India Limited - AUTOMATION SAS PALLAVARAM, CHENNAI 600043	DRG. NO.: CPD KV30 SC11	SHT 66 OF 71

TERMINAL REF.	SHT NO.	FROM TO PANEL	DESCRIPTION
IS3-31			NO CONTACTS
IS3-32			NO CONTACTS
IS3-33			NO CONTACTS
IS3-34	48	4R1A	ISOL-C OPEN
IS3-35	48	4R1A	ISOL-C OPEN
IS3-36	39	4R1B	ISO-C OPEN
IS3-37	39	4R1B	ISO-C OPEN
IS3-38			NC CONTACTS
IS3-39			NC CONTACTS
IS3-40			NC CONTACTS
IS3-41			NC CONTACTS
IS3-42			NC CONTACTS
IS3-43			NC CONTACTS
IS3-44			NC CONTACTS
IS3-45			NC CONTACTS
IS3-46			NC CONTACTS
IS3-47			NC CONTACTS
IS3-48			NC CONTACTS
IS3-49			NC CONTACTS
IS3-50			NC CONTACTS
IS3-51			NC CONTACTS
IS3-52			NC CONTACTS
IS3-53			NC CONTACTS
IS3-54			NC CONTACTS
IS3-55			NC CONTACTS
IS3-56			NC CONTACTS
IS3-57			NC CONTACTS

SR. No.-1 Contractor/Supplier Copy

GETCO
 Released for Manufacture
 Released for Construction
 Released for Information

Approval Letter Ref No-376 Dt. 19-3-14
ENG. CELL
GETCO
DRAWING APPROVAL
 Cat-1 Approved
 Cat-2 Approved with Comments
 Cat-3 Approved for Information
 Cat-4 Not Approved
 The above approval, in general does not absolve you from Contractual Obligations

FOR ALSTOM REF:	ENG. REF. NO.: K30	CUSTOMER: GETCO/ALSTOM T&D India Ltd	REVISION: 8
SCHEME TYPE: FEEDER		PROJECT: 400/220/66KV CRISQAS AT SANJESHWARI	CHECKED BY: AM
BASE FILE:		P.O. NO.: 5427-4500660137	DATE: 10.03.2014
SALES ORDER: 3269PP827		Dated 09.10.2013	APPROVED BY: JJK
		FILE: DV001167	SCALE: ..
		SCHMATIC DRAWING	DRG. NO.: CPD KV30 SC11 SHT 67 OF 71
		PANEL TYPE: 4R1A-4R1B	
		TITLE: 400KV LINE PROTECTION	
		MAKE SPECIFIC CB (4X89C) TERMINALS	

TERMINAL REF.	SHT NO.	FROM/TO PANEL	DESCRIPTION
IS4-01	33	4RIA	DC SUPPLY +VE
IS4-02	33	4RIA	DC SUPPLY -VE
IS4-03	33	4RIA	COMMON
IS4-04	33	4RIA	OPEN
IS4-05	33	4RIA	CLOSE
IS4-06	33	4RIA	INTERLOCK PERMISSIVE
IS4-07	33	4RIA	INTERLOCK PERMISSIVE
IS4-08	49	4RIA	REMOTE MODE
IS4-09	49	4RIA	REMOTE MODE
IS4-10	49	4RIA	ISOL-CLOSED
IS4-11	49	4RIA	ISOL-CLOSED
IS4-12			NO CONTACTS
IS4-13			NO CONTACTS
IS4-14	39	4R18	ISOL-CLOSED
IS4-15	39	4R18	ISOL-CLOSED
IS4-16			NO CONTACTS
IS4-17			NO CONTACTS
IS4-18			NO CONTACTS
IS4-19			NO CONTACTS
IS4-20			NO CONTACTS
IS4-21			NO CONTACTS
IS4-22			NO CONTACTS
IS4-23			NO CONTACTS
IS4-24			NO CONTACTS
IS4-25			NO CONTACTS
IS4-26			NO CONTACTS
IS4-27			NO CONTACTS
IS4-28			NO CONTACTS
IS4-29			NO CONTACTS
IS4-30			NO CONTACTS

SR. No. - 1 Contactor / Supplier Copy

GEICO
 Released For Manufacture
 Released For Construction
 Released For Information

Approval Letter / Max No. 87 dt. 14-3-14
GEICO
 DRAWING APPROVAL
 Cat-1 Approved
 Cat-2 Approved with Comments
 Cat-3 Approved For Information
 Cat-4 Not Approved
 The above approval, in general, does not absolve you from Contractual Obligations.

FOR ALSTOM REF:	ENGG. REF. NO.:	KV20
SCHEMATIC TYPE: FEEDER		
BASE FILE:		
SALES ORDER: 3769PP827		
CUSTOMER: GETCO/ALSTOM T&D India Ltd PROJECT: 400/220/66KV CRP&SAS AT SANOHARI S/S P.O. NO.: 5427-450060137 Dated: 09.10.2013		
ALSTOM ALSTOM T&D India Limited - AUTOMATION SAS PALAIVARAM, CHENNAI 600043		
SCHEMATIC DRAWING PANEL TYPES: 4RIA, 4R18 TITLE: 400KV LINE PROTECTION MAKE SPECIFIC CB (4-389V) TERMINALS		
FILE: DV301168		
PREPARED BY: GVA	REVISION: B	
CHECKED BY: AM	DATE: 10.03.2014	
APPROVED BY: JJK	SCALE: ---	
DRG. NO.: CPD KV30 SC11 SHT 68 OF 71		

TERMINAL REF.	SHT NO.	FROM/TO PANEL	DESCRIPTION
IS4-31			NO CONTACTS
IS4-32			NO CONTACTS
IS4-33			NO CONTACTS
IS4-34	49	4R1A	ISOL-1 OPEN
IS4-35	49	4R1A	ISOL-1 OPEN
IS4-36	39	4R1B	ISOL-1 OPEN
IS4-37	39	4R1B	ISOL-1 OPEN
IS4-38	28	4R1B	LOCAL CLOSING /IL
IS4-39	28	4R1B	LOCAL CLOSING /IL
IS4-40			NC CONTACTS
IS4-41			NC CONTACTS
IS4-42			NC CONTACTS
IS4-43			NC CONTACTS
IS4-44			NC CONTACTS
IS4-45			NC CONTACTS
IS4-46			NC CONTACTS
IS4-47			NC CONTACTS
IS4-48			NC CONTACTS
IS4-49			NC CONTACTS
IS4-50			NC CONTACTS
IS4-51			NC CONTACTS
IS4-52			NC CONTACTS
IS4-53			NC CONTACTS
IS4-54			NC CONTACTS
IS4-55			NC CONTACTS
IS4-56			NC CONTACTS
IS4-57			NC CONTACTS

SR. No. - 1 Contractor/Supplier Copy

GETCO

- Released for Manufacture
- Released For Construction
- Released For Information

Approval Letter/ Mat No. 376 dt. 19-3-16
GETCO
 DRAWING APPROVAL
 ENGG. CELL

- Cat-1 Approved
- Cat-2 Approved with Comments
- Cat-3 Approved For Information
- Cat-4 Not Approved

The above approval, in general does not absolve you from Contractual Obligations.

FOR ALSTOM REF. ENGG. REF. NO.: RV30	PREPARED BY: CKA	REVISION: B
SCHEME TYPE: FEEDER	CHECKED BY: AM	DATE: 10.03.2014
BASE FILE:	APPROVED BY: JMK	SCALE: ...
SALES ORDER: 3269P827	FILE: DV301169	DRG. NO.: CPD RV30 SCT11 SHT 69 OF 71
ALSTOM ALSTOM T&D India Limited - AUTOMATION SAS PALLAVARAM, CHENNAI 600043		
CUSTOMER: GETCO/ALSTOM T&D India Ltd PROJECT: 400/20/66KV CPRESAS AT SANKHARI S/S P.O.NO.: 5427-4500660137 Dated: 09.10.2013		
SCHEMATIC DRAWING PANEL TYPES: 4R1A, 4R1B TITLE: 400KV LINE PROTECTION MAKE SPECIFIC CB (4-X891) TERMINALS		

TERMINAL REF.	SHT NO.	FROM/TO PANEL	DESCRIPTION
ES1-01	32	4RIA	DC SUPPLY +VE
ES1-02	32	4RIA	DC SUPPLY -VE
ES1-03	32	4RIA	INTERLOCK PERMISSIVE
ES1-04	32	4RIA	INTERLOCK PERMISSIVE
ES1-05	48	4RIA	EARTH SWITCH CLOSED
ES1-06	48	4RIA	EARTH SWITCH CLOSED
ES1-07			NO CONTACTS
ES1-08			NO CONTACTS
ES1-09			NO CONTACTS
ES1-10			NO CONTACTS
ES1-11			NO CONTACTS
ES1-12			NO CONTACTS
ES1-13			NO CONTACTS
ES1-14			NO CONTACTS
ES1-15			NO CONTACTS
ES1-16			NO CONTACTS
ES1-17	48	4RIA	EARTH SWITCH OPEN
ES1-18	48	4RIA	EARTH SWITCH OPEN
ES1-19			NC CONTACTS
ES1-20			NC CONTACTS
ES1-21			NC CONTACTS
ES1-22			NC CONTACTS
ES1-23			NC CONTACTS
ES1-24			NC CONTACTS
ES1-25			NC CONTACTS
ES1-26			NC CONTACTS
ES1-27			NC CONTACTS
ES1-28			NC CONTACTS

SR. No. -1 Contractor/Supplier Copy

GETCO
 Released For Manufacture
 Released For Construction
 Released For Information

Approval Letter / Mail No. 376 dt. 19-3-14
GETCO
ENG. CELL
DRAWING APPROVAL
 Cat-1 Approved
 Cat-2 Approved with Comments
 Cat-3 Approved For Information
 Cat-4 Not Approved.
The above approval, in general does not absolve you from Contractual Obligations.

FOR ALSTOM REF.:	ENG. REF. NO.:	KV30
SCHEME TYPE: FEEDER		
BASE FILE:		
SALES ORDER: 3269PR827		
CUSTOMER: GETCO/ALSTOM T&D India Ltd PROJECT: 400/220/66KV CPESSAS AT SANKRHAH S/S P.O.NO.: 5427-4500660137 Dated: 09.10.2013		
ALSTOM		
ALSTOM T&D India Limited - AUTOMATION SAS PALLAVARAM, CHENNAI 600043		
SCHMATIC DRAWING PANEL TYPES: 4RIA-4R1B TITLE: 400KV LINE PROTECTION MAKE SPECIFIC CB (4X8P1E) TERMINALS		
PREPARED BY: GKA	REVISION: 8	
CHECKED BY: AM	DATE: 10.03.2014	
APPROVED BY: JKK	SCALE: ..	
DRG. NO.: CPD KV30 SC11 SHT 70 OF 71		

TERMINAL REF.	SHT NO.	FROM/TO PANEL	DESCRIPTION
			SR. No.-1 Contractor/Supplier Copy
E52-01	33	4RIA	DC SUPPLY +VE
E52-02	33	4RIA	DC SUPPLY -VE
E52-03	33	4RIA	INTERLOCK PERMISSIVE
E52-04	33	4RIA	INTERLOCK PERMISSIVE
E52-05	49	4RIA	EARTH SWITCH CLOSED
E52-06	49	4RIA	EARTH SWITCH CLOSED
E52-07			NO CONTACTS
E52-08			NO CONTACTS
E52-09			NO CONTACTS
E52-10			NO CONTACTS
E52-11			NO CONTACTS
E52-12			NO CONTACTS
E52-13			NO CONTACTS
E52-14			NO CONTACTS
E52-15			NO CONTACTS
E52-16			NO CONTACTS
E52-17	49	4RIA	EARTH SWITCH OPEN
E52-18	49	4RIA	EARTH SWITCH OPEN
E52-19			NC CONTACTS
E52-20			NC CONTACTS
E52-21			NC CONTACTS
E52-22			NC CONTACTS
E52-23			NC CONTACTS
E52-24			NC CONTACTS
E52-25			NC CONTACTS
E52-26			NC CONTACTS
E52-27			NC CONTACTS
E52-28			NC CONTACTS

GETCO
 Released For Manufacture
 Released For Construction
 Released For Information

Approval Letter / Mail No. 37 / Dt. 11-3-14
ENG. CELL
GETCO
DRAWING APPROVAL
 Cat-1 Approved
 Cat-2 Approved with Comments
 Cat-3 Approved For Information
 Cat-4 Not Approved
The above approval, in general does not absolve you from Contractual Obligations.

FOR ALSTOM REF:	ENGG REF NO.: KV50	PREPARED BY: GKA	REVISION: 8
SCHEME TYPE: FEEDER		CHECKED BY: AM	DATE: 10.03.2014
BASE FILE:		APPROVED BY: JKK	SCALE: --
SALES ORDER: 32697827		DRG. NO.: CPD KV50 SCT11	SHT 71 OF 71

ALSTOM	SCHMATIC DRAWING
ALSTOM T&D India Limited - AUTOMATION SAS	PANEL TYPE: 4RIA 4R18
PALLAVARAM, CHENNAI 600043	TITLE: 480KV LINE PROTECTION
	MAKE SPECIFIC CB (4-383A8) TERMINALS

CUSTOMER: GETCO/ALSTOM T&D India Ltd	PROJECT: 400/720/66KV CBSSAS AT SANIKHAR/S/S
P.O.NO.: 5427-4500660137	Dated: 07.10.2013