

**Index**  
**For tender documents (Technical)**  
**Tender no B/4222/2014/4582V/1**

<b>Content</b>	<b>Page no. of pdf file</b>
<b>Annexure/ Drawing no 31611770003 rev 04</b>	<b>Pg. 2 to Pg. 4</b>
<b>Specification HE57016 rev b</b>	<b>Pg. 5 to Pg. 33</b>
<b>QAP NO QP/QA/BI/QP/006 rev 04</b>	<b>Pg. 34 to Pg. 37</b>

E000021191C

ON SHIMWAR/काठिया इलेक्ट्रिकल्स

प्रथम कोण प्रक्षेपण / FIRST ANGLE PROJECTION

सभी विमाएँ मिलिमीटर में हैं / ALL DIMENSIONS ARE IN mm.

प्रथम संज्ञा 38 (बी) / FORM 38 (B)

COPYRIGHT AND CONFIDENTIAL  
THE INFORMATION ON THIS DOCUMENT IS THE PROPERTY OF  
BHARAT HEAVY ELECTRICALS LIMITED. IT MUST NOT BE USED  
DIRECTLY OR INDIRECTLY IN ANY WAY DETERIMENTAL TO THE  
INTEREST OF THE COMPANY.

स्वत्वाधिकार एवं गोपनीय  
इस प्रलेख में दी गई सूचना भारत हेवी इलेक्ट्रिकल्स लिमिटेड की  
सम्पत्ति है। इसका प्रत्यक्ष या अप्रत्यक्ष रूप में किसी भी तरह  
प्रयोग नहीं किया जाए जो कंपनी के हित में हानिकर हो।

सामग्री सूची संख्या INVENTORY NO.	हस्ताक्षर और दिनांक / SIGN & DATE	संदर्भित अभिकल्प संख्या REFERENCE DRG. NO.
--------------------------------------	-----------------------------------	---

CONDENSER AIR EVACUATION PACKAGE UNIT

1. DESIGN DATA :

- No. of Units required per TG set : Two (2)
- No. of Units normally working (Holding) : One (1)
- No. of Units working during Start-up (Hogging) : Two (2)
- All flanges should be to ANSI,B16.5

Note: C.W. for Vac.pump Heat Exchanger is same as that of Condenser.

2. CAPACITY OF PUMP (as per HEI) :

- Design capacity (Holding) : 30 SCFM at 1" Hg abs
- Dry Air Quantity : 135 lbs/hr
- Water vapour to saturate : 297 lbs/hr
- Total mixture Quantity : 432 lbs/hr
- Air+Steam mixture temperature : Sub-cooled by 4.17 °C
- Volume to be evacuated (approx.) : 2200 m<sup>3</sup>
- Time for initial evacuation : As per HEI (condenser)
- (with two pumps in operation)
- Hogging capacity, each pump : 800SCFM (minimum)

3. MATERIAL OF CONSTRUCTION : (FOR NORMAL WATER APPLICATION)

- Main Vacuum Pump & Re-circulation Pump:
    - Casing : 2% Ni Cast Iron (GB 9439, HT 250)/ASTM A48, CLASS-35
    - Shaft : Carbon Steel, En-8 or better
    - Impeller : Nodular Iron(ASTM A536, Gr.65-45-12) or Better
    - Shaft Sleeve : (If applicable) Stainless Steel
  - Heat Exchanger (Shell & Tube Type)
    - Shell : Carbon Steel, SA285 Gr.C
    - Tubes : Welded SS, TP 316
    - Tube Plate : Carbon Steel, SA285 Gr.C
    - Water Box (Channel) : Carbon Steel, SA285, Gr.C/ Cast Iron
    - Tube plate & Water box inside shall be epoxy coated.
- Extra 20% Margin in area shall be provided  
Cooling Water Pressure drop shall be limited to 3.5 MWC

4. MATERIAL OF CONSTRUCTION : (FOR SEA WATER APPLICATION)

- Main Vacuum Pump & Re-circulation Pump:
    - Casing : 2% Ni Cast Iron (GB 9439, HT 250)/ASTM A48, CLASS-35
    - Shaft : Carbon Steel, En-8 or better
    - Impeller : Nodular Iron(ASTM A536, Gr.65-45-12) or Better
    - Shaft Sleeve : (If applicable) Stainless Steel
  - Heat Exchanger (Shell & Tube Type)
    - Shell : Carbon Steel, SA285 Gr.C
    - Tubes : Welded Ti, SB338, Gr.2
    - Tube Plate : Titanium/ Ti-clad Steel.
    - Water Box (Channel) : Carbon Steel, SA285, Gr.C/ Cast Iron
    - Water box & affected piping inside surfaces shall be suitably coated against Sea water application.
- Extra 20% Margin in area shall be provided  
Cooling Water Pressure drop shall be limited to 3.5 MWC.  
Vendor to furnish calculation to prove 20% margin in area and 3.5 MWC CW Pressure drop.

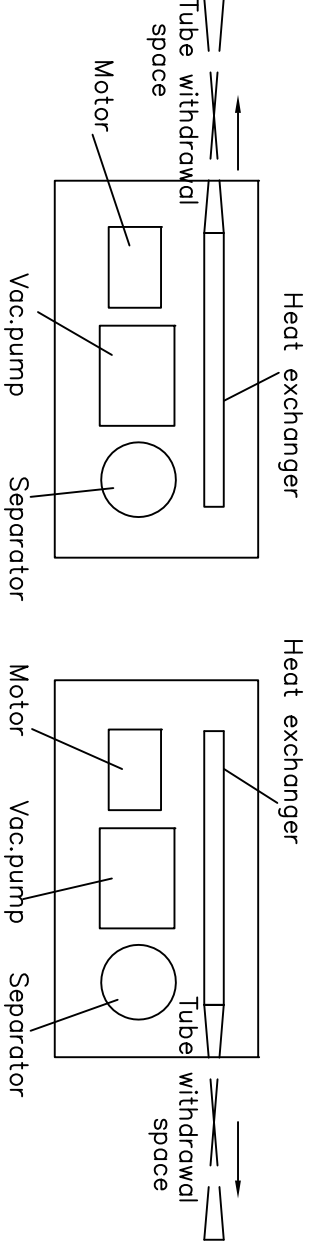
5. SPECIAL REQUIREMENTS :

- CI. 12.1 shall read as "... is required within 3-weeks after award of ..."
- In case of Air Ejector with Vacuum Pump, total package power consumption with Ejector operation and without Ejector operation shall be furnished.
- The vibration level of the unit shall confirm to 'Good' range as per VDI:2056 (Criteria for assessing mechanical vibration of machines)
- The tapping for LEVEL INDICATOR & LEVEL SWITCH for separator tank of vacuum pump should be separate and both (LI & LS) should work independantly.

6. Item SI.No.III(3) of Vac.pump datasheet (Appendix D) is to be treated as deleted.  
The following requirement shall be met for various primary instruments :

- All instrument shall be suitable for 0-55 deg.C, 0-95% RH and degree of protection: IP55.
- Accuracy for pressure/ temp. gauges shall be ±1% of full scale deflection.
- Temperature element shall be 4 wire PT-100, duplex, conforming to DIN:437600 or equivalent. Thermowells shall be of SS-316.

7. Of the two vacuum pump packages, required per TG set (2x100% design), tube withdrawal space of heat-exchanger in one shall be from inlet end and in the other, from outlet end (as indicated below):



(CODE NO. W90716150026)

उत्पाद का प्रकार या ग्राहक/परियोजना का नाम TYPE OF PRODUCT OR NAME OF CUSTOMER/PROJECT  
30 SCFM VACUUM PUMP PACKAGE

भारत हेवी इलेक्ट्रिकल्स लिमिटेड, रानीपुर, हरिद्वार BHARAT HEAVY ELECTRICALS LIMITED, RANIPUR, HARDWAR	संशोधक/DRG.	SHIVA	संशोधक/DRG.	SHIVA	संशोधक/DRG.	SHIVA
	जांचक/CHKD.	SHIVA	जांचक/CHKD.	SHIVA	जांचक/CHKD.	SHIVA
अनुमोदक/APPD.	SKANT	अनुमोदक/APPD.	SKANT	अनुमोदक/APPD.	SKANT	अनुमोदक/APPD.

विभाग/DEPT.	HXE	अनुपात/SCALE	भार कि.ग्रा./WEIGHT (KG)	अभिकल्प संख्या/DRAWING NO.	31611770003
कोड/CODE	-			शीर्षक/TITLE	ANNEX. TO HE57016

कार्ड कोड/CARD CODE	7	पृष्ठ संख्या/Sheets No. 1	3	पृष्ठों की संख्या/No. of Sheets	3
REV	04	REV	22	REV	24

A3 साइज/A3 SIZE

0000711916

ON DRAWING/ड्राइंग नंबर

COPYRIGHT AND CONFIDENTIAL  
THE INFORMATION ON THIS DOCUMENT IS THE PROPERTY OF  
BHARAT HEAVY ELECTRICALS LIMITED. IT MUST NOT BE USED  
DIRECTLY OR INDIRECTLY IN ANY WAY DETERMINAL TO THE  
INTEREST OF THE COMPANY.

स्वत्वाधिकार एवं गोपनीय  
इस प्रलेख में दी गई सूचना भारत हेवी इलेक्ट्रिकल्स लिमिटेड की  
सम्पत्ति है। इसका प्रत्यक्ष या अप्रत्यक्ष रूप में किसी भी तरह  
प्रयोग नहीं किया जाए जो कम्पनी के हित में हानिकर हो।

सामग्री सूची संख्या INVENTORY NO.	हस्ताक्षर और दिनांक/SIGN & DATE	संदर्भित अभिकल्प संख्या REFERENCE DRG. NO.
--------------------------------------	---------------------------------	---

8. QA and Inspection of Vacuum pump:  
Pump casings and impellers shall be subjected to MPE/ DPT. Finished pump rotor shall be subjected to dynamic balancing.  
The complete package shall be subjected to hydraulic pressure and leakage test and shop tested to check interlocks and functional requirements.

8.1 Type test-1: Each pump shall be tested at supplier's works at full speed and load conditions to demonstrate successful operation and performance in accordance with the design requirements. Supplier shall demonstrate by carrying out visual cavitation test that pump will be operating under all operating condition including blank-off condition, without cavitation. In case this test has already been accepted by BHEL in earlier projects on the pump of same model, type, size, rating as proposed, then records of same to be furnishd for approval of BHEL.

8.2 Type test-2: One complete unit shall also be subjected to demonstrate successful operation and performance testing with saturated air conditions at condenser design vacuum point as well as vacuum pump design point with total minimum three points. The test shall be conducted with respective motors to be supplied. The test shall also include check for vibration and noise level.  
If saturated air test is already accepted by BHEL in earlier projects on same model, type, size, rating, then test records along with drawing/ data-sheet shall be submitted for approval of BHEL. (Also refer Clause 9 for Type Test Report Validity period).

9. Type test reports: Vendor shall furnish all type test reports as mentioned above within 3-weeks of placement of order. These reports shall be for the tests conducted on identical/ similar components/ equipment with those offered to be supplied.  
If the type test reports are not found satisfactory by BHEL, the same shall be informed to vendor and all such tests shall be conducted again under this contract by the vendor free of cost and reports shall be submitted for approval.

10. Electrical system :

- 1) Add in clause 2.2) Codes and Standards, "IS: 325, IEC: 60034 For 3-phase induction motor"
- 2) Clause 2.5 shall read as "Degree of protection for motors and cable-boxes shall be IP54."
- 3) Add clause 4.10 as : Operational requirements: Starting Time: -  
For motors with starting time upto 20 secs. at minimum permissible voltage during starting, the locked rotor withstand time under hot condition at highest voltage limit shall be at least 2.5 secs. more than starting time. For motors with starting time more than 20 secs. and upto 45 secs. at minimum permissible voltage during starting, the locked rotor withstand time under hot condition at highest voltage limit shall be at least 5 sec. more than the starting time.
- 4) In clause 5.0, add "Insulation type : Non-hygroscopic, oil resistant, flame resistant."
- 5) Clause 5.0 & 6.0 shall read as: "Insulation shall be class F with temperature rise limited to class B, by resistance method, at design ambient of 50 deg C."
- 6) Add clause 7.7 as "Motors shall be either TEFC (totally enclosed fan cooled) or CACA (closed air-circuit air cooled) type."
- 7) Add clause 7.8 as "Noise level and vibration level shall be within limits as per IS:12065 and IS:12075 respectively. Motors shall withstand vibrations produced by the driven equipment."
- 8) System fault level may be considered as 40KA for one second.
- 9) Add clause 10.8 as "Motor terminal box shall be supplied with cable glands of Nickel-Chromium plated brass, heavy duty, double compression, conforming to BS:6121, cable lugs suitable for stranded Aluminium Cable and non-magnetic gland plate."
- 10) Add clause 12.4 as "Type tests (Electric Motor): Type test reports, for the tests as per IS or IEC standards (mentioned above) shall be submitted for LT-motors above 20KW. Type tests shall include IR, HV and No load run test."
- 11) Add clause 12.5 as "QA and Inspection (Electric motor) :"  
Visual/ dimension : Y  
Resistance measurement : Y  
IR measurement before and after HV test : Y  
HV test : Y  
Reduced voltage no load running : Y  
No load test : Y  
Phase sequence, terminal marking and Direction of Rotation : Y  
Vibration measurement : Y  
Over speed test, 120% of rated speed, for 2 min.: Y  
SC test/ locked rotor test : Y

11. Test reports : All test reports shall include applicable acceptance criteria, i.e. the test result and the acceptable value or range. This is to help in reviewing/ approving the test results/ test reports.

12. Qualification Requirements: The model/type/size/rating of pump and motor offered should be satisfactorily operating for atleast two years in power plants (500MW or higher capacity) at two different locations.

13. Painting requirement : Condenser Air-evacuation Equipment shall be painted as per the following:  
1. Priming coat: Epoxy base Zinc rich Primer Paint (2 coats): DFT=70 microns  
2. Intermediate coat: Epoxy TiO2 pigmented Polyamide cured Paint (1 coat): DFT=70 microns  
3. Finish coat: Aliphatic Acrylic 2 pack Polyurethane Finish Paint: DFT=60 microns  
Total DFT=180 microns (minimum)

14. Marking : Following shall be marked on all the drawings and documents:  
a. Customer : As in Purchase Order  
b. Project : -- do --  
c. Revision No. and Date of the drawing/ document.


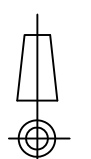
15. Data/ Documents Required :  
1. Clause No.11.0 should be read as: "Bidder shall invariably furnish six prints of the following documents in English language:"  
2. Clause Nos:11.2, 11.4,11.11 and 11.12 stand deleted.  
3. Add new clause No.11.14 and 11.15 as follows:  
11.14 Calculation for power requirement of vacuum pump.  
11.15 Calculation for arriving at design heat load of Heat Exchanger.  
4. Clause No.12.1 should be read as: "Following final data/ documents are required within 21 days after placement of order in 15 copies and 3 CD ROMs per project duly incorporating BHEL comments."  
7. After cl.No. 12.1.13, "Note: Exchange of comments, if any," stands deleted.  
8. Add new clause No. 12.1.15: "Thermal design calculation for Heat Exchanger."  
9. Clause No.12.3 should be read as: "Installation, Operation and Maintenance Instructions: Bidder shall furnish Vendor should furnish Thermal design calculation for Heat Exchanger."  
20 copies and 3 CD ROMs of O&M Manuals per project for the pump, motor and C&I with the unit."

16. Control Voltage : 24V DC Supply Voltage for Vacuum pump Controls Including Solenoid Valves, shall be taken from CONTROL CABINETS.

17. O&M Manuals: On the first page of O&M manual, Pump Serial Nos. must be mentioned.  
The O&M manuals shall be self contained and shall include all drawings, data-sheets, and performance curves of pump and motor. 2 copies of the O&M Manual shall be sent along with Vacuum Pump Package.

(CODE NO. W90716150026)

उत्पाद का प्रकार या ग्राहक/परियोजना का नाम 30 SCFM VACUUM PUMP PACKAGE  
TYPE OF PRODUCT OR NAME OF CUSTOMER/PROJECT

 भारत हेवी इलेक्ट्रिकल्स लिमिटेड, रानीपुर, हरिद्वार BHARAT HEAVY ELECTRICALS LIMITED, RANIPUR, HARDWAR	संस्था/DEPT.	अनुपात/SCALE	भार कि.ग्रा. WEIGHT (KG)	नाम/NAME	हस्ताक्षर/SIGN	दिनांक/DATE	शीट संख्या/No. of Ver.
	HXE		-	SHIVA	Sd	15/01/15	15/01/15
कोड/ CODE				SHIVA	Sd	15/01/15	
शीर्षक/TITLE				SKANT	Sd	16/01/15	

कार्ड कोड/ CARD CODE: 31611770003

अभिकल्प संख्या/DRAWING NO.: 22 23 24

पृष्ठ संख्या/Sheets No. 2 पृष्ठों की संख्या/No. of Sheets 3

REV 04

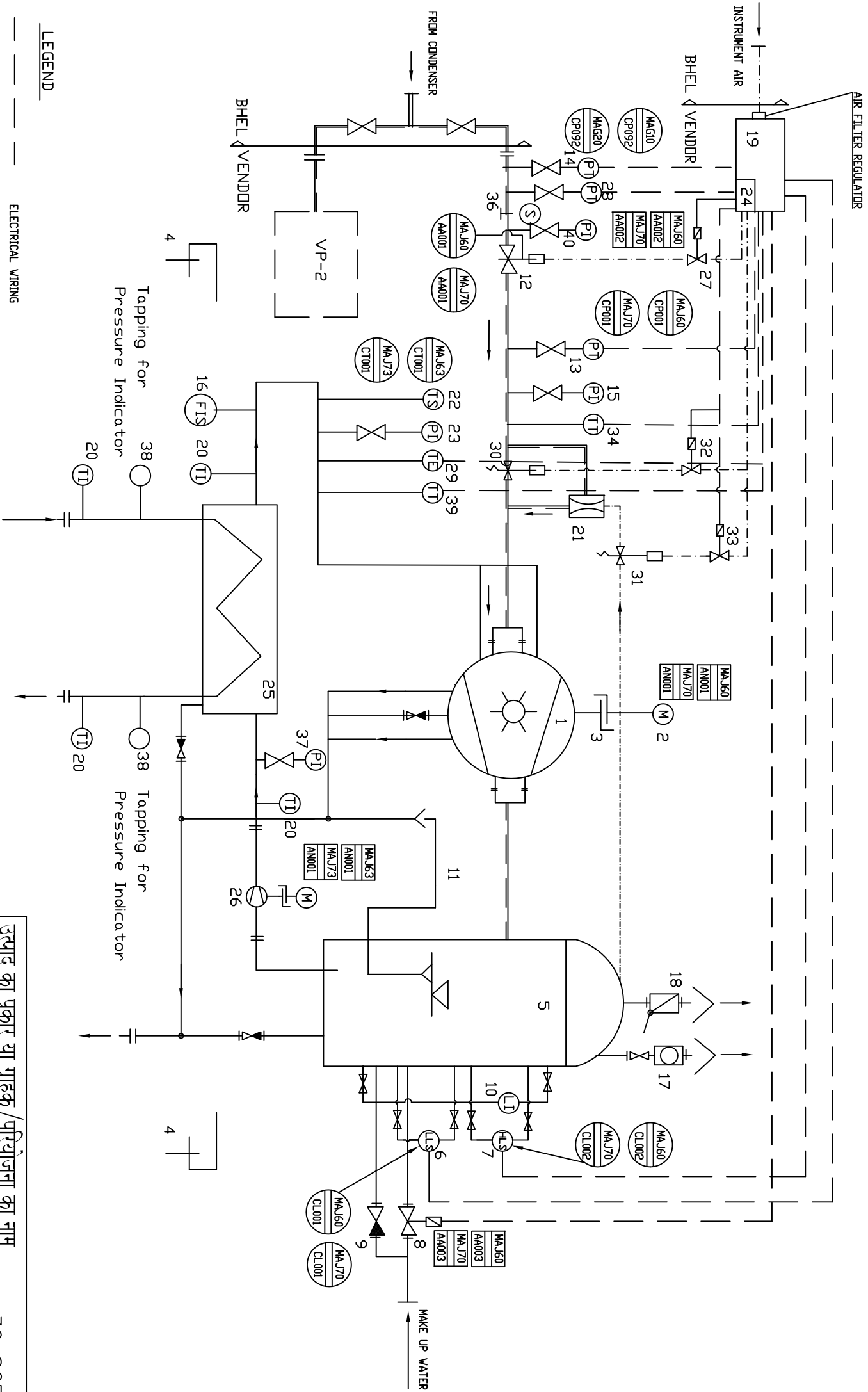
E000L1191C

ON SHIMDRA/हार्डवेयर ड्राइंग

# CONDENSER AIR EVACUATION SYSTEM

COPYRIGHT AND CONFIDENTIAL  
THE INFORMATION ON THIS DOCUMENT IS THE PROPERTY OF  
BHARAT HEAVY ELECTRICALS LIMITED. IT MUST NOT BE USED  
DIRECTLY OR INDIRECTLY IN ANY WAY DETERIMENTAL TO THE  
INTEREST OF THE COMPANY.

स्वत्वाधिकार एवं गोपनीय  
इस प्रलेख में दी गई सूचना भारत हेवी इलेक्ट्रिकल्स लिमिटेड की  
सम्पत्ति है। इसका प्रत्यक्ष या अप्रत्यक्ष रूप में किसी भी तरह  
प्रयोग नहीं किया जाये जो कम्पनी के हित में हानिकारक हो।



- ### ITEM DESCRIPTION
1. VACUUM PUMP, 2-STAGE (OR 1-STAGE)
  2. MOTOR
  3. COUPLING
  4. FOUNDATION BOLT+NUT+WASHER
  5. SEPARATOR
  6. LOW LEVEL SWITCH WITH ISOLATION VALVE
  7. HIGH LEVEL SWITCH WITH ISOLATION VALVE
  8. MAKEUP WATER INLET VALVE
  9. MAKEUP WATER BYPASS VALVE
  10. LEVEL INDICATOR WITH ISOLATION VALVE
  11. OVERFLOW SYPHON LOOP
  12. SYSTEM INLET VALVE WITH OPEN/CLOSE LIMIT SWITCH
  13. PRESSURE TRANSMITTER FOR INLET VALVE OPN.
  14. PR. TRANSMITTER FOR STANDBY PUMP OPN.
  15. PRESSURE INDICATOR WITH VALVE
  16. SEAL WATER FLOW INDICATOR CUM SWITCH
  17. AIR FLOW METER (ROTAMETER)
  18. AIR OUTLET CHECK VALVE WITH HANDLE
  19. JUNCTION BOX (REFER DRG. NO.)
  20. TEMPERATURE INDICATOR
  21. EJECTOR (IF APPLICABLE)
  22. TEMPERATURE SWITCH
  23. PRESSURE INDICATOR
  24. PLC FOR EJECTOR (IF APPLICABLE)
  25. HEAT EXCHANGER
  26. SEAL WATER PUMP WITH MOTOR
  27. SOLENOID VALVE (24 V DC)
  28. PR. TRANSMITTER FOR EJECTOR (IF APPLICABLE)
  29. TEMP. ELEMENT FOR SEAL WATER FOR EJECTOR (IF APPLICABLE)
  30. BY-PASS VALVE FOR EJECTOR (IF APPLICABLE)
  31. MOTIVE AIR VALVE FOR EJECTOR (IF APPLICABLE)
  32. SOLENOID VALVE (24V DC) FOR EJECTOR (IF APPLICABLE)
  33. SOLENOID VALVE (24V DC) FOR EJECTOR (IF APPLICABLE)
  34. TEMPERATURE TRANSMITTER IN SUCTION LINE
  35. -----
  36. TEMPORARY INLET SCREEN
  37. PRESSURE INDICATOR WITH VALVE
  38. TAPPING FOR PRESSURE INDICATOR
  39. TEMPERATURE TRANSMITTER IN SEAL WATER LINE
  40. PRESSURE INDICATOR WITH VALVE

**LEGEND**

----- ELECTRICAL WIRING

----- AIR PIPING

----- AIR & STEAM MIXTURE PIPING

----- WATER PIPING

**NOTE:**

1. ALL COUNTER FLANGES, NUTS, BOLTS, WASHERS, GASKETS & ITS FASTENERS SHALL BE IN THE SCOPE OF VENDOR.
2. INLET NOZZLE (PROCESS INLET) CONNECTION TO BE MADE HORIZONTAL OR SUITABLE REDUCER AND BEND TO BE PROVIDED BY VENDOR.

सामग्री सूची संख्या INVENTORY NO.	हस्ताक्षर और दिनांक/SIGN & DATE	संदर्भित अभिकल्प संख्या REFERENCE DRG. NO.
--------------------------------------	---------------------------------	---

उत्पाद का प्रकार या ग्राहक/परियोजना का नाम  
TYPE OF PRODUCT OR NAME OF  
CUSTOMER/PROJECT

30 SCFM VACUUM PUMP PACKAGE

भारत हेवी इलेक्ट्रिकल्स लिमिटेड, रानीपुर, हरिद्वार  
BHARAT HEAVY ELECTRICALS LIMITED,  
RANIPUR, HARDWAR

भाग/DEPT.	हस्ताक्षर/SIGN	दिनांक/DATE	शीट संख्या/No. of Var.
SHIVA	Sd	15/01/15	
SHIVA	Sd	15/01/15	
SKANT	Sd	16/01/15	

विभाग/DEPT.	HXE	अनुपात/SCALE	भार कि.ग./WEIGHT (KG)	असंबंधी अभिकल्प का संदर्भ/REFER TO ASSLY. DRG.	शीट संख्या/No. of ITEMS
कोड/कोड					

शीट संख्या/TITLE  
ANNEX. TO HE57016

कार्ड कोड/CARD CODE	शीट संख्या/DRAWING NO.	शीट संख्या/No. of SHEETS
7	31611770003	22 23 24





**PRODUCT STANDARD**  
**HEAT EXCHANGER ENGINEERING**

**HE 57016**

PAGE 2 OF 29

SIGN & DATE

SUPERSEDES INVENTORY NO.

COPYRIGHT AND CONFIDENTIAL

The information on this document is the property of BHARAT HEAVY ELECTRICALS LIMITED. It must not be used directly or indirectly in any way detrimental to the interest of the company.

3.2 The pumps shall be of single stage or two stage liquid ring type with suitable compression ratio, to meet the conditions specified in the Annexure and the Condenser Performance Curves, ensuring no cavitation under all operating conditions. Bidder shall indicate the arrangement being offered to avoid cavitation.

~~3.3 The pump in operation should have a minimum recommended capacity of 40% of the free dry air capacity as specified in the Annexure, at 0.5" Hg abs. suction pressure and a saturated temperature of 51.3 deg F.~~

3.4 The pumps shall be of liquid ring design with both the stages (if it is a two stage pump) mounted on a common shaft. The unit shall require no external lubrication and shall not be damaged by ~~water droplets or slugs of water and entrained gases.~~

3.5 Each pump unit with the accessories shall be furnished as a package unit mounted on a common steel base plate.

3.6 The pumps shall be connected to its motors by flexible couplings. All couplings shall have suitable rigid steel coupling guards having closed ends and anchored to the base plate.

3.7 Each vacuum pump unit shall include, but not be limited to, the items listed under SCOPE OF SUPPLY in Appendix-D and <sup>indicated on</sup> the SYSTEM FLOW DIAGRAM at Appendix-A. The bidder shall furnish his flow diagram covering complete Scope of Supply.

3.8 Provision shall be made in the design of the equipment to prevent loss of vacuum by flow of atmospheric air back into the condenser upon shut down of the pump.

3.9 The design pressure to be considered for the cooling water circuit is 5.0 kg/sq.cm g and for the make-up water circuit as 45 kg/sq.cm g. The source of make-up and sealing water is D.M.water. (condensate quality).

3.10 It shall be sufficient for the owner to connect air and water terminal points to a common Terminal Block and the wiring to the motor's terminal boxes. Shut down drains must be terminated at one point with the valve.

SIGN & DATE

4-10-93

INVENTORY NO.

P. 5778

REV.	b	s			WKD. BY	N.SANYAL	<i>[Signature]</i>	7.9.93
SIGN. & DATE	<i>[Signature]</i>	15/10/93			CHD. BY	N.P.MATHUR	<i>[Signature]</i>	14-9-93



**PRODUCT STANDARD**  
**HEAT EXCHANGER ENGINEERING**

**HE 57016**

PAGE 3 OF 29

SIGN & DATE

INVENTORY NO.

COPYRIGHT AND CONFIDENTIAL  
The information on this document is the property of BHARAT HEAVY ELECTRICALS LIMITED. It must not be used directly or indirectly in any way detrimental to the interest of the company.

SIGN & DATE

INVENTORY NO.

3.11 All components including spares and spare assemblies (if any) of all the pumps and accessories shall be completely interchangeable.

3.12 The condenser air evacuation unit shall perform continuously without exceeding the noise level of 85 dBA at a distance of 1.0 metre from the unit for a surrounding of the inside of a turbine hall. Silencer shall be provided if required. The vibration levels of the pump unit shall conform to "good" range as per VDI-2056 (Criteria for assessing mech. vibr. of machines).

3.13 The materials of construction of all the parts including all accessories shall be suitable to the fluids being handled/used. The source of cooling water shall be as given in the Annexure. The materials of construction shall not be inferior to that specified in the Annexure.

3.14 Provision shall be made in Heat Exchanger to permit access to tubes without disturbing CW-piping connections. Tube size shall not be less than 5/8".

**4.0 CONTROL AND INTERLOCK REQUIREMENTS:**

Automatic Turbine Run up System (ATRS) is being used by purchaser for the turbine. Pump supplier has to supply all necessary fittings and accessories to enable ATRS to carry out following operations:

All process signals from the switches etc. (in pump supplier's scope) will be fed to ATRS and command/signals from ATRS shall be fed to the pump, motors, solenoids etc. (in pump supplier's scope) for carrying out required operations. For further details, refer ATRS/VACUUM PUMP INTER-FACE diagram at Appendix-B.

Bidder shall provide all the required instruments, devices, out puts, interfacing equipments etc. as required for completeness of his system and as required to make it compatible with the purchaser's ATRS. The exact requirement shall be finalised with the successful bidder while finalising the logic diagram.

The following operations shall be carried out through ATRS:

- a) Hogging operation for quick evacuation of condenser during turbine start up, upto a predetermined vacuum.
  - b) Automatic change over from hogging to holding operation at the preset vacuum.
  - c) Automatic starting of the standby unit in the event of fall in vacuum at a preset value.
- The range of pressure/vacuum switches selected should be suitable for the condenser operating condition.

REV.	b	z			WKD. BY	N.SAMYAL	<i>[Signature]</i>	7.9.93
SIGN. & DATE	<i>[Signature]</i>	<i>[Signature]</i>			CHD. BY	N.P.MATHUR	<i>[Signature]</i>	14-9-93

4-10-93

P-5778



**PRODUCT STANDARD**  
**HEAT EXCHANGER ENGINEERING**

**HE 57016**

PAGE 4 OF 29

SIGN & DATE

SUPERSEDES INVENTORY NO.

COPYRIGHT AND CONFIDENTIAL

The information on this document is the property of BHARAT HEAVY ELECTRICALS LIMITED. It must not be used directly or indirectly in any way detrimental to the interest of the company

Control of anticavitation arrangement shall not be through ATRS. This must be a part of vacuum pump supply, self contained, and shall be mounted on the pump.

The operation of the cooling water inlet/outlet valves shall be manual (not in pump supplier's scope).

All pneumatic valves shall have limit switches for open and closed positions.

b) All switches shall be of 2-SPDT contacts. Repeatability for switches to be  $\pm 0.5\%$ .

**5.0 DRIVE MOTOR:**

5.1 Drive motor shall be furnished and mounted by the bidder on the pump unit and the complete assembly shipped as one unit. The horse power of the motor shall not be less than 110% of the maximum BHP required at the pump end.

5.2 Drive motors shall comply with the specification in Appendix-C.

**6.0 QUALITY REQUIREMENTS:**

The vendor shall prepare & submit detailed Quality Plan in the format prescribed, enclosed with the enquiry, for all items / components / equipments being manufactured / supplied by the vendor.

The Quality Plan will set-out various stages of manufacture, the quality practices & procedures to be followed by them, the relevant reference documents / standards, acceptance level, inspection records raised etc. The Quality Plan shall be approved by the owner. The owner shall identify customer-hold-points on the final Quality Plan beyond which work shall not proceed without owner's consent in writing. An indicative programme of inspection / test, envisaged by BHEL is given below. This is however not intended to form a comprehensive inspection & testing programme, as it is the vendor's responsibility to draw-up & carry-out necessary checks from operation, safety & reliability point of view.

**6.1 Tests:**

Following minimum tests shall be carried-out:

(a) All rotating parts of pumps shall be dynamically balanced as per ISO:1940, G 6.3.

SIGN & DATE

4-10-93

INVENTORY NO.

P-5778

REV.	b	i			WRD. BY	N.SANYAL	<i>[Signature]</i>	7.9.93
SIGN. & DATE	<i>[Signature]</i>	15/9/99			CHD. BY	N.R.MATHUR	<i>[Signature]</i>	14-9-93



PRODUCT STANDARD

HE 57016

HEAT EXCHANGER ENGINEERING

PAGE 5 OF 29

SIGN & DATE

SUPERVISOR'S INVENTORY NO.

COPYRIGHT AND CONFIDENTIAL

The information on this document is the property of BHARAT HEAVY ELECTRICALS LIMITED. It must not be used directly or indirectly in any way detrimental to the interest of the company.

SIGN & DATE

4/10/93

INVENTORY NO.

P-5778

(b) Shafts shall be subjected to ultra-sonic test. After finish machining, shaft shall be subjected to magnetic particle / dye penetrate test.

(c) Pump casings & Heat Exchanger shall be subjected to hydraulic test at 1.5 times the design pressure or twice the maximum operating pressure.

(d) Tests to demonstrate ability to meet the guaranteed performance (refer clause V of Appendix-D). The tests must be conducted at rated speed and with its corresponding motor. Bidder to submit correction curves, based upon actual test data, if tests are not conducted at rated conditions.

(e) Saturated air performance test, to prove the capacity at guaranteed conditions and visual cavitation test (type tests) to be carried out. The test procedure for these tests shall be furnished to BHEL for review & approval. If such type tests are already carried out on same size and model pump earlier, test results and test procedures are to be submitted with the bid for BHEL's review & acceptance.

(f) Functional test of the package for demonstrating that the requisite functions/interlocks are being performed by the pump and all the accessories.

(g) Type & routine tests for motors as per Appendix-C. In case Type tests on motors are already carried out then the Test reports shall be furnished to BHEL along with the bid for review & acceptance information.

(h) Complete equipment and all accessories are subject to visual inspection and witnessing of performance tests by BHEL or its representative at bidder's works for which atleast 60 days advance notice shall be given by the bidder. Complete testing schedule must be furnished within 30 days of letter of intent.

(i) The minimum inspection and testing requirement shall conform to the relevant codes / standards, whether or not specifically mentioned in the specification. The bidder shall give full consideration to the observations of the inspecting agency regarding acceptance of workmanship and or equipment.

REV.	6	2			WKD. BY	N. SANYAL	<i>[Signature]</i>	7.9.93
SIGN. & DATE	<i>[Signature]</i>	15/2/93			CHD. BY	N. R. MATHUR	<i>[Signature]</i>	14-9-93



**PRODUCT STANDARD**  
**HEAT EXCHANGER ENGINEERING**

**HE 57016**

PAGE 6 OF 29

SIGN & DATE

SUPERSEDES INVENTORY NO.

COPYRIGHT AND CONFIDENTIAL  
 The information on this document is the property of BHARAT HEAVY ELECTRICALS LIMITED. It must not be used directly or indirectly in any way detrimental to the interest of the company.

SIGN & DATE

INVENTORY NO.

4.10.93

P-5778

6.2 The bidder shall be responsible for all necessary tests during fabrication/manufacture and before shipment to ensure that the equipment meets the specification and will operate satisfactorily as an assembled unit. Approval or passing of test/inspection and thereby issue of test certificate or waiver of inspection by the inspection agency shall not relieve the bidder of his responsibilities and obligations under the contract as well as shall not bind BHEL to accept the equipment, should it, on further tests after erection, be found not complying with the contract.

6.3 The bidder shall furnish the list of customers to whom the offered model pump have been sold in the past along with dates of installation & commissioning of the units, MW rating of the Power Plants and the no. of pump units employed in each unit of the Power Plants.

**7.0 SPARES:**

**7.1 Start-up (erection & commissioning) spares:**

Bidder shall give separate offer for start-up spares with item-wise price break-up. Such spares shall be supplied alongwith the main pump order.

**7.2 Recommended spares:**

Bidder shall give separate offer for the recommended maintenance spares for five years of normal operation considering one set (two pump units), two sets and three sets basis respectively. Quantity recommended must be indicated separately according to the No. of sets under consideration. Details of spares, with item-wise price break-up, must be given with the offer.

**7.3 Mandatory spares:**

Bidder to quote unit price of the spares, if listed in the Annexure.

Note: Selected spares out of 7.2 & 7.3 above may be ordered simultaneously with the main order, or, at a later date, as may be decided by BHEL.

7.4 Each spare item shall be properly identified and marked as per spare order list and despatched in a separate packing box marked "SPARES".

REV.	b	1			WKD. BY	N. SANYAL	<i>[Signature]</i>	7.9.93
SIGN. & DATE	<i>[Signature]</i>	12/11/93			CHD. BY	N.P. MATHUR	<i>[Signature]</i>	14-9-93



**PRODUCT STANDARD**  
**HEAT EXCHANGER ENGINEERING**

**HE 57016**

PAGE 7 OF 29

SIGN & DATE

SUPERSEDES INVENTORY NO.

COPYRIGHT AND CONFIDENTIAL  
 The information on this document is the property of BHARAT HEAVY ELECTRICALS LIMITED. It must not be used directly or indirectly in any way detrimental to the interest of the company.

SIGN & DATE

INVENTORY NO.

4/10-25

P-5778

**8.0 GUARANTEES:**

The bidder shall meet the guaranteed performance requirement as specified in clause V of Appendix-D.

**9.0 PACKING:**

Condenser air evacuation unit must be suitably packed to avoid any damage during handling and transport. Packing must be sea-worthy to avoid any damage/corrosion to all the parts during sea shipment. All the loose items should be properly tacked. Details of handling the package shall be clearly indicated on the packing box.

Packing list clearly indicating the items to be shipped in each package must be sent to BHEL, 2 months in advance. All the loose items and the items likely to be loosened during transit should be listed separately, to ensure the ~~supply to be completeness of supply.~~ <sup>(b)</sup>

Two copies of the <sup>inside</sup> ~~list of contents~~ <sup>packing</sup> must be put at safe places, one <sup>the</sup> ~~the~~ package and <sup>the other</sup> ~~outside~~ the package. <sup>(b)</sup>

**10.0 AFTER SALES SERVICE:**

Bidder shall extend free after sales service for the supplies made against this offer for a period of 5 years from the date of commissioning of the pump units. Bidder shall depute his engineer to the site in case of failure/malfunction of the equipment and auxiliaries, he has supplied against this specification. This will have no commercial implication from the bidder's side.

Bidder to indicate clearly the specific arrangement made by him for after sales service in India.

**11.0 DATA/DOCUMENT REQUIRED WITH THE BID:**

Bidder shall invariably furnish three copies of the following documents in English language:

11.1 General arrangement drawing of vacuum pump package showing overall dimensions, maintenance clearances required, mounting and connection details, weights-empty/operating/flooded/motor/bare pump, list of items with their location in the package unit, foundation bolts and their grouting details etc.

REV.	b	2			Wkd. BY	N. SANYAL	<i>[Signature]</i>	7.9.93
SIGN. & DATE	<i>[Signature]</i>	15/10/93			CHD. BY	N. P. MATHUR	<i>[Signature]</i>	14-9-93



PRODUCT STANDARD  
HEAT EXCHANGER ENGINEERING

HE 57016

PAGE 8 OF 29

SIGN &amp; DATE

SUPERSEDES  
INVENTORY NO.

11.2 Sectional arrangement drawing of the pump showing all components with their material specn., numbers etc.

11.3 Flow diagram <sup>indicating terminal points and</sup> ~~showing~~ scope of supply with all the equipments/instruments/switches/valves etc. being supplied. <sup>⑥</sup>

11.4 Logic diagram showing sequence of operation, with the conditions to be fulfilled, from initial start to stand by pump start and stop.

11.5 Appendix-D & E, duly filled in for the pump & the motor data respectively.

11.6 Performance characteristic curves:

① a) Dry air capacity of pump (saturated with water vapour at 4.17°C under cooling) <sup>⑥</sup>  
Capacity vs Suction Pressure, at rated speed and different ITDs around the rated ITD (saturation temperature corresponding to suction pressure minus CW inlet temperature to the heat exchanger).

b) Suction pressure vs Cooling water inlet temperature to heat exchanger, for different air leakage rates, covering atleast 2.5 times the design air handling capacity of the pump at 1"Hg abs. suction pressure.

c) Power consumption vs suction pressure at rated ITD. <sup>⑥</sup>

d) Time vs Vacuum, while evacuating the volume specified in the Annexure.

e) Dry air performance test curves and seal water temp. correction curves <sup>⑥</sup>

11.7 Saturated air test results and visual cavitation test results with procedure and scheme, if such tests are already carried out on proposed size & model pump.

11.8 Wiring diagrams for all devices connected to the terminal box for feedback to ATRS and control signals from ATRS, clearly showing the break-up of the scope of supply between the bidder and the purchaser (refer Appendix-B).

11.9 Bill of materials of all instruments (instrument schedule) alongwith the manufacturer's catalogues for critical items and also the recommended set point.

11.10 Complete list of feeder loads (power supply requirements for various drives) including solenoid valves. <sup>⑥</sup>

11.11 Reference list of past supplies as specified in clause 6.3 above.

COPYRIGHT AND CONFIDENTIAL  
The information on this document is the property of BHARAT HEAVY ELECTRICALS LIMITED. It must not be used directly or indirectly in any way detrimental to the interest of the company

SIGN &amp; DATE

A-10-93

INVENTORY NO.

P-5778

REV.

b

5

WKD. BY

N. SANYAL

7.9.93

SIGN. &  
DATE

15/2/99

CHD. BY

N. P. MATUR

14-9-93



**PRODUCT STANDARD**  
**HEAT EXCHANGER ENGINEERING**

**HE 57016**

PAGE 9 OF 29

SIGN & DATE

SUPERSEDES INVENTORY NO.

**COPYRIGHT AND CONFIDENTIAL**  
The information on this document is the property of BHARAT HEAVY ELECTRICALS LIMITED. It must not be used directly or indirectly in any way detrimental to the interest of the company.

SIGN & DATE

04-10-93

INVENTORY NO.

P-5778

- 11.12 List of start up, recommended and mandatory (if specified in the Annexure) spares, with unit price and quantity installed per pump.
- 11.13 Quality Plan on BHEL format alongwith the testing procedures.
- 12.0 **DATA/DOCUMENT AFTER AWARD OF ORDER:**
- 12.1 Following data/document is required within 45 days after award of letter of intent in 20 copies per project:
  - 12.1.1 General arrangement drawing of the pump unit, along with a reproducible, as per clause 11.1 above.
  - 12.1.2 Sectional arrangement drawing as per clause 11.2 above.
  - 12.1.3 Flow diagram as per clause 11.3 above.
  - 12.1.4 Logic diagram as per clause 11.4 above.
  - 12.1.5 Appendix D & E, duly filled-in for the pump and the motor data respectively.
  - 12.1.6 Characteristic curves:
    - a) Performance characteristic curves as per clause 11.6 above.
    - b) Motor characteristic curves as per clause 4.0 of Appendix-E.
  - 12.1.7 General arrangement drawing of the motor indicating overall dimensions, weights (rotor, total), fixing details, rotor removal space etc..
  - 12.1.8 Foundation drawing clearly indicating loads on each foundation bolt (due to weight and dynamic loads), pocket size, foundation bolts etc., grouting required etc.
  - 12.1.9 Instrument schedule alongwith manufacturer's catalogues.
  - 12.1.10 List of feeder loads as per clause 11-10 above.
  - 12.1.11 General and sectional arrangement drawings of seal water recirculation pump & heat exchanger.

REV					WKD. BY	N. SANYAL	<i>[Signature]</i>	7.9.93
SIGN. & DATE					CHD. BY	N.P. MATHUR	<i>[Signature]</i>	14-9-93



**PRODUCT STANDARD**  
**HEAT EXCHANGER ENGINEERING**

**HE 57016**

PAGE 10 OF 29

SIGN & DATE

SUPERSEDES INVENTORY NO.

COPYRIGHT AND CONFIDENTIAL

The information on this document is the property of BHARAT HEAVY ELECTRICALS LIMITED. It must not be used directly or indirectly in any way detrimental to the interest of the company.

12.1.12 Wiring diagram as per clause 11.8 above.

12.1.13 General arrangement drawing and wiring diagram of anticavitation device (if provided).

**NOTE:** Exchange of technical information from the date of receipt of quotation till placement of order may warrant changes in drgs./data furnished during the bid; in such event "Preliminary data/documents" shall be furnished as per clause 12.0 above in 3 copies for our review/comments/approval within 2 weeks of LOI. Final data/documents (in 20 copies) to be supplied subsequently as per clause 12.0 above, after incorporating our comments, if any.

12.1.14 To assess progress at different stages of manufacturing, testing & despatch of equipment (major parts) spares, L2 network shall be furnished.

12.2 Quality assurance document package:

Following certificates/inspection reports, NDT reports (in 3 copies per pump) are required after test. Equipment should be despatched only after acceptance of the test certificates.

12.2.1 Material test certificates of ~~major parts e.g.~~ body, shaft, impeller, sleeves of main pump, and seal water pump, tubes, shell and water boxes of heat exchanger etc..

12.2.2 Hydraulic test certificates of main and seal water pumps, heat exchanger, valves etc..

12.2.3 Performance test results of seal water pump.

12.2.4 Performance test readings alongwith test set up and procedure for main vacuum pump with correction curves/factors and calculations to prove the capacity of the pump.

12.2.5 Routine and type test results of main and seal water pump motors.

12.2.6 Test certificates of ~~other fittings e.g.~~ all switches, solenoid valves, all valves, calibration certificates of all instruments.

12.2.7 Other certificates/reports as per approved quality plan.

SIGN & DATE

4-10-93

INVENTORY NO.

P-5778

REV.	6	3			WKD. BY	N.SANYAL		7-9-93
SIGN. & DATE					CHD. BY	N.P.NATHUR		14-9-93



**PRODUCT STANDARD**  
**HEAT EXCHANGER ENGINEERING**

**HE 57016**

PAGE 11 OF 29

SIGN & DATE

SUPERSEDES INVENTORY NO.

COPYRIGHT AND CONFIDENTIAL  
 The information on this document is the property of BHARAT HEAVY ELECTRICALS LIMITED. It must not be used directly or indirectly in any way detrimental to the interest of the company

SIGN & DATE

4-10-93

P-5778

**12.3 Operating and maintenance instructions:**

Bidder shall furnish 20 copies of operation and maintenance manual for the pump, motor and all the accessories under his scope, clearly indicating the models and sizes supplied with the unit, for each site/BHEL contract.

**13.0 ADDITIONAL TECHNICAL INFORMATION:**

**13.1 APPENDICES:** The following appendices, as referred in subsequent pages of this specification, are the integral part of this specification and shall be complied-with fully:

- APPENDIX-A : System Flow Diagram
- APPENDIX-B : ATRS/Vacuum Pump Interface
- APPENDIX-C : Induction Motor Specification
- APPENDIX-D : Vacuum Pump Data-Sheet
- APPENDIX-E : Motor Data-Sheet

**13.2 ANNEXURE:** The technical requirements relating to the specific design conditions, water chemistry, special material requirement of client, condenser performance curves, capacity or any other special requirement from the client shall be supplied as "ANNEXURE". This information would vary from contract to contract, and shall be treated as integral part of this specification.

To avoid any ambiguity, all the sheets of the ANNEXURE for each order/contract shall be identified as under:

ANNEXURE to HE57016 (-----*-----)	sheet-- of --
--------------------------------------	---------------

\* name of project shall be indicated here.

REV.					WKD. BY	N. SANYAL	<i>[Signature]</i>	7.9.93
SIGN. & DATE					CHD. BY	N.R. MATNUR	<i>[Signature]</i>	14-9-93



SIGN & DATE

SUPERSEDES  
INVENTORY NO.

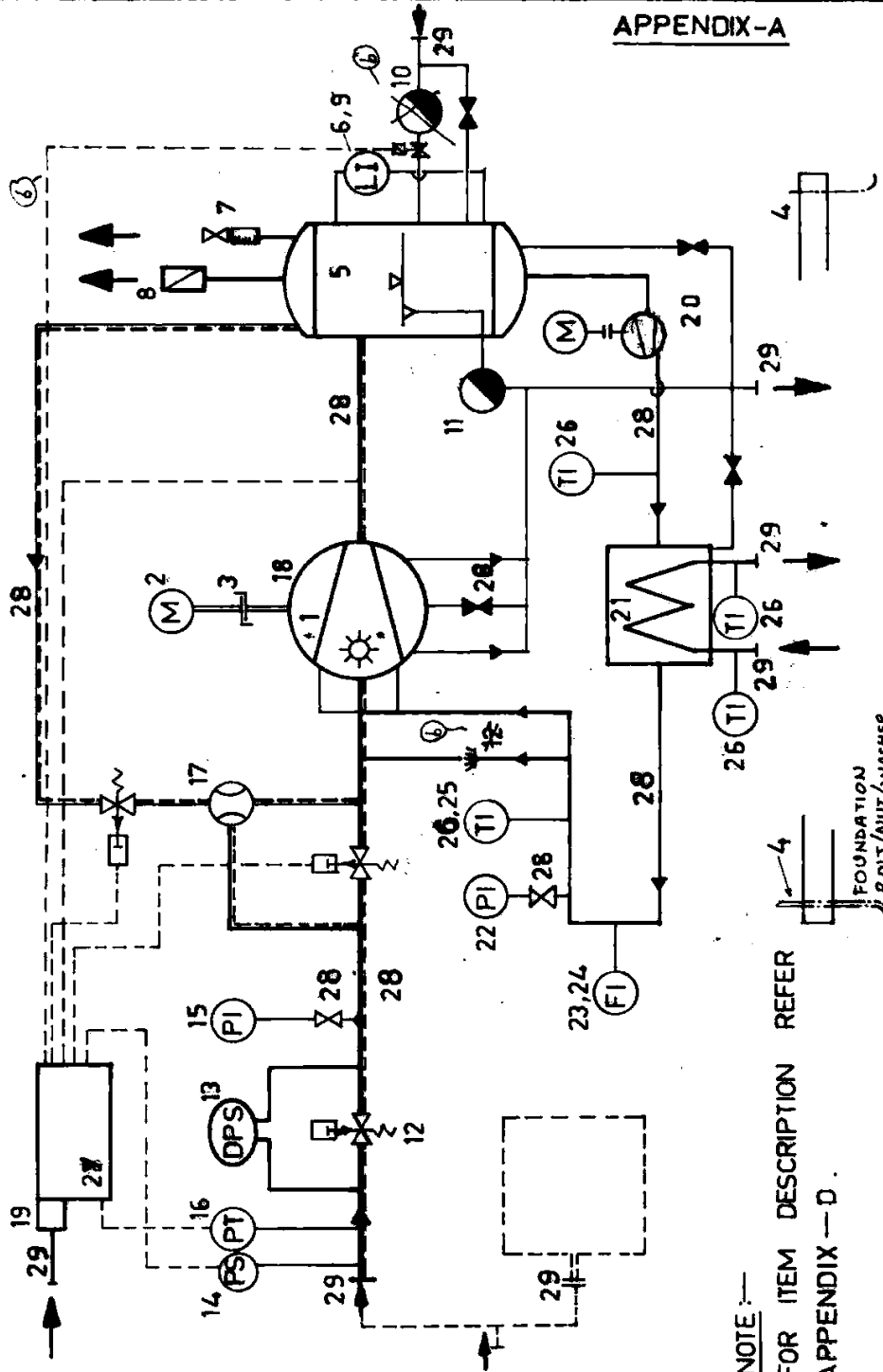
COPYRIGHT AND CONFIDENTIAL  
The information on this document is the property of BHARAT HEAVY ELECTRICALS LIMITED. It must not be used directly or indirectly in any way detrimental to the interest of the company.

SIGN & DATE

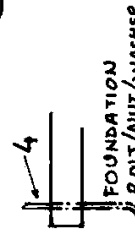
P-5778  
4-10-93

SYSTEM FLOW DIAGRAM

APPENDIX-A



NOTE:--  
FOR ITEM DESCRIPTION REFER  
APPENDIX-D.



REV.	b	4	WKD. BY	N.SANYAL	7-9-93
SIGN. & DATE	<i>[Signature]</i>	5/2/93	CHD. BY	N.R.MATHUR	14-9-93



PRODUCT STANDARD  
HEAT EXCHANGER ENGINEERING

HE 57016

PAGE 13 OF 29

SIGN & DATE

SUPERSEDES INVENTORY NO.

COPYRIGHT AND CONFIDENTIAL  
The information on this document is the property of BHARAT HEAVY ELECTRICALS LIMITED. It must not be used directly or indirectly in any way detrimental to the interest of the company

SIGN & DATE

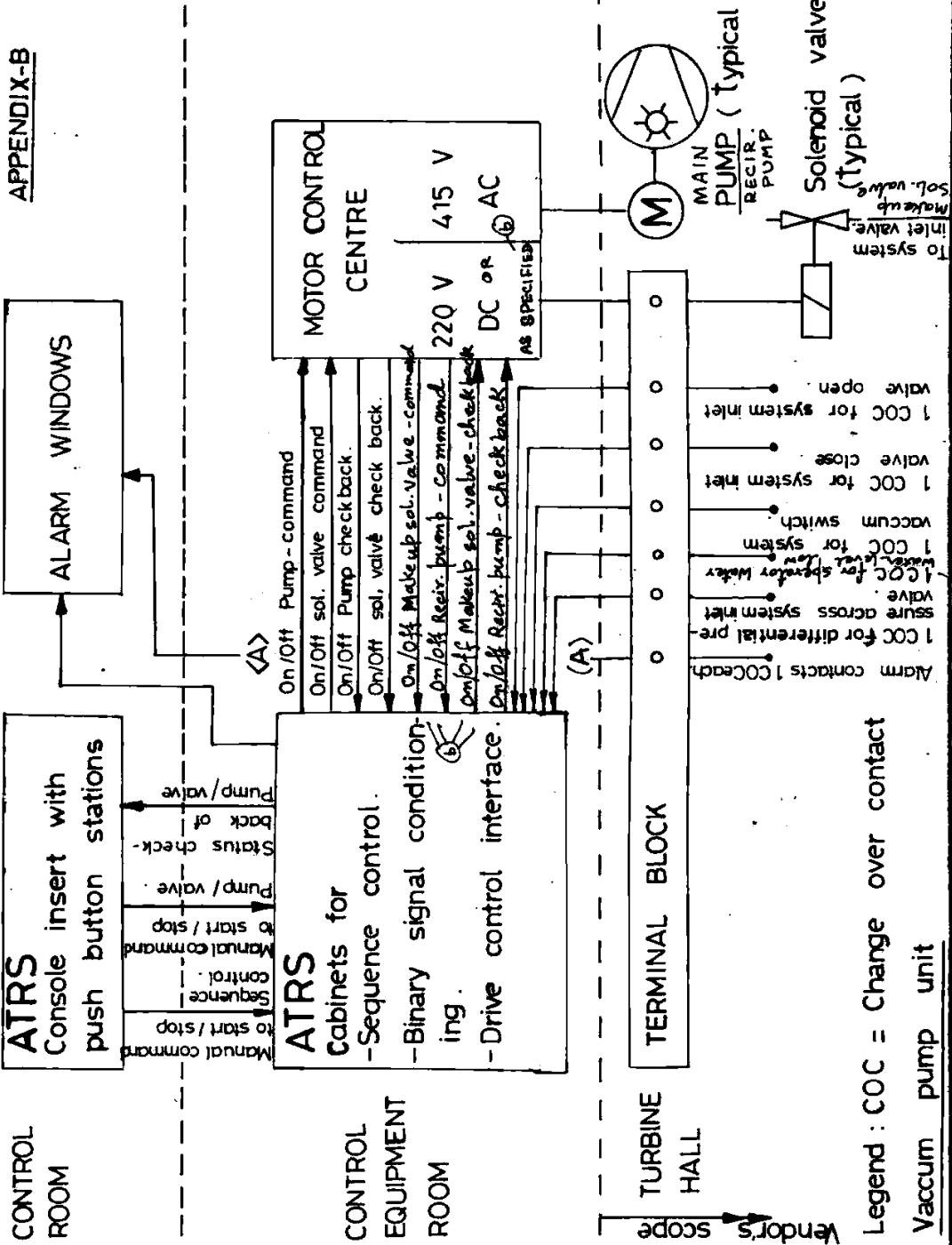
4-10-93

INVENTORY NO.

P-5778

APPENDIX-B

ATRS / VACUUM PUMP INTERFACE



Legend : COC = Change over contact  
Vacuum pump unit

REV.	b	4	WKD. BY	N. SANYAL	<i>[Signature]</i>	7.9.93
SIGN. & DATE	<i>[Signature]</i>	15/7/93	CHD. BY	N.P. MATHUR	<i>[Signature]</i>	14-9-93



PRODUCT STANDARD  
HEAT EXCHANGER ENGINEERING

HE 57016

PAGE 14 OF 29

SIGN & DATE

SUPPLIER'S INVENTORY NO.

COPYRIGHT AND CONFIDENTIAL  
The information on this document is the property of BHARAT HEAVY ELECTRICALS LIMITED. It must not be used directly or indirectly in any way detrimental to the interest of the company.

SIGN & DATE

INVENTORY NO.

4-10-93

P-5778

APPENDIX-C

INDUCTION MOTOR

1.0 SCOPE:

This specification covers the design, manufacture, painting, inspection and testing at vendor's/subvendor's works of three phase squirrel cage induction motor. These requirements shall however be read alongwith the requirements of the respective driven equipment being supplied under the specification.

2.0 CODES AND STANDARDS:

2.1 All motors shall conform to the latest applicable standards of IS and IEC except where modified or supplemented by this specification.

2.2 Motors shall conform to the latest revisions of the following Indian Standards or equivalent IEC/VDE standards for the applicable motor type and rating.

- IS: 325 Specification for three phase induction motors.
- IS: 1231 Dimensions of three phase foot mounted induction motors
- IS: 2253 Types of construction and mounting of motors.
- IS: 3202 Code of practice for climate proofing of electrical equipment.
- IS: 4029 Guide for testing three phase induction motors.
- IS: 4691 Degree of protection provided by enclosure for electrical machines.
- IS: 4722 Specification of rotating electrical machines.
- IS: 6362 Designation of method of cooling of rotating electrical machines.
- IS: 12075 Mechanical vibration of rotating electrical m/cs...
- ~~IEC Document 2 (Central office) 432: Three phase induction motors.~~
- ~~VDE 0530 part 1/1.66 Three phase induction motors.~~

REV.	6	3			WRD. BY	N.SANYAL	<i>[Signature]</i>	7.9.93
SIGN. & DATE	<i>[Signature]</i>	<i>[Signature]</i>			CHD. BY	N.RMATHUR	<i>[Signature]</i>	14-9-93



**PRODUCT STANDARD**  
**HEAT EXCHANGER ENGINEERING**

**HE 57016**

PAGE 15 OF 29

SIGN & DATE

SUPERSEDES INVENTORY NO.

COPYRIGHT AND CONFIDENTIAL  
The information on this document is the property of BHARAT HEAVY ELECTRICALS LIMITED. It must not be used directly or indirectly in any way detrimental to the interest of the company

SIGN & DATE

INVENTORY NO.

2.3 Other standards which ensures equal or better quality than specified may be acceptable, however differences are to be brought clearly.

2.4 The design, manufacture, installation and performance of motors shall conform to the provisions of latest Indian Electricity Act and Indian Electricity Rules. Nothing in these specifications shall be construed to relieve the contractor of this responsibility.

2.5 Degree of protection for motor should be IP54 or better.

**3.0 DRIVEN EQUIPMENT:**

*rated for continuous duty (S1) for*  
Motors shall be ~~capable of~~ giving satisfactory operation for the application and duty as required by the driven equipment at all conditions of operation.

**4.0 PERFORMANCE AND CHARACTERISTICS:**

4.1 Motors shall be capable of giving rated output without reduction in expected life span when operated continuously in the system having the following particulars.

- a) Rated voltage 415 volts (3 phase, 50 Hz).
- b) Variation in voltage  $\pm 10\%$ .
- c) Variation in frequency  $\pm 5\%$
- d) Combined voltage and frequency variation 10% *(sum of absolute values)*

4.2 Motors shall be suitable for full direct on line starting. These shall be capable of starting and accelerating to the rated speed alongwith the driven equipment without exceeding the acceptable winding temperature even when the supply voltage is 80% of the rated voltage, the permissible voltage specified above.

4.3 The locked rotor current shall not exceed 600% of rated full load current inclusive of tolerances.

4.4 Motors shall be designed as to be capable of withstanding the voltage and torque stresses developed due to the difference between the motor residual voltage and incoming voltage equal to 150% of rated voltage during fast change over of buses.

4.5 Motors shall be capable of developing rated full load torque even when the supply voltage drops to 70% of rated voltage. Such operation is envisaged for a period of one second. The pull out torque of the motor to meet this requirement shall not be less than 205% of full load torque.

REV.	6	3			WKD BY	N.SANYAL	<i>[Signature]</i>	7-9-93
SIGN. & DATE	<i>[Signature]</i>	15/11/93			CHD. BY	N.P.MATHUR	<i>[Signature]</i>	14-9-93

4-10-93

P-5778



PRODUCT STANDARD  
HEAT EXCHANGER ENGINEERING

HE 57016

PAGE 16 OF 29

SIGN & DATE

SUPERSEDES INVENTORY NO.

COPYRIGHT AND CONFIDENTIAL  
The information on this document is the property of BHARAT HEAVY ELECTRICALS LIMITED. It must not be used directly or indirectly in any way detrimental to the interest of the company.

SIGN & DATE

INVENTORY NO.

4-18-93

P-5778

4.6 Motors shall be designed to withstand 120% of rated speed for two minutes without any mechanical damage in either direction of rotation.

4.7 Motors shall be capable of satisfactory operation of full load at a supply voltage of 80% of rated voltage for 5 minutes, commencing from hot condition.

4.8 The locked rotor with-stand time under hot condition at rated voltage shall be atleast 2.5 seconds more than the starting time.

4.9 Motors when started with the drive imposing its full starting torque under the specified supply voltage variations (see clause 4.1) shall be capable of withstanding atleast two starts in succession under the specified conditions of load, torque and inertia, with the motor initially at its normal running temperature windings. The motors shall also be suitable for three equally spread starts per hour under above specified supply conditions. (b)

5.0 INSULATION AND WINDINGS:

All insulated winding conductor shall be of copper. Class of insulation must be atleast class-B. The winding shall be suitable for hot, humid, tropical climate with ambient temperature of 50.0 deg C. The insulation shall be given fungicidal and tropical treatment as per IS-3202.

6.0 TEMPERATURE RISE:

The maximum permissible temperature rise over the ambient temperature of 50 deg C shall be within limits specified in IS-325 (for 3-phase induction motors) after adjustment to increased ambient temperature specified above.

7.0 CONSTRUCTIONAL FEATURES:

7.1 The motor construction shall be suitable for easy disassembly and reassembly. The enclosure shall be sturdy and shall permit easy removal of any part of the motor for inspection/repairs.

7.2 Rotor shall be properly balanced so as to keep the vibration under running condition within the limits specified in relevant standards.

REV.	6	1			WKD. BY	N. SANYAL	<i>[Signature]</i>	7-9-93
SIGN. & DATE	<i>[Signature]</i>	15/2/99			CHD. BY	N.P. MATHUR	<i>[Signature]</i>	14-9-93



**PRODUCT STANDARD**  
**HEAT EXCHANGER ENGINEERING**

**HE 57016**

PAGE 17 OF 29

SIGN & DATE

SUPERSEDES INVENTORY NO.

COPYRIGHT AND CONFIDENTIAL  
 The information on this document is the property of BHARAT HEAVY ELECTRICALS LIMITED. It must not be used directly or indirectly in any way detrimental to the interest of the company.

SIGN & DATE

INVENTORY NO.

7.3 Rotors shall be so designed as to keep the combined critical speed with the driven equipment away from the running speed by at least 20%.

7.4 Two independent earthing points shall be provided on opposite side of the motor for bolted connection for owner's earthing conductor. *Size of earthing conductor is to be specified.*

7.5 Motors shall have drain plugs so located that they will drain water resulting from condensation or other causes from all pockets in the motor casing.

7.6 Motors weighing more than 25 Kg. shall be provided with eye bolt lugs or other suitable means to facilitate lifting.

**8.0 BEARINGS:**

8.1 Greased ball and roller bearings shall be of reputed make. The minimum standard life of bearings shall not be less than 30,000 working hours taking all motor and driven loads into account. These shall be pressure grease gun lubricated type, fitted with grease nipples and shall have relief device.

8.2 Bearings and their housings shall be so constructed that loss of grease and its creeping along the shaft into motor housing is prevented. It shall also prevent dirt and water from getting into the motor.

**9.0 SPACE HEATERS:**

9.1 Space heaters shall be provided for all motors above 30 KW capacity suitable for 240 volts single phase, 50 Hz supply.

9.2 Terminals of the space heaters shall be brought out on a separate terminal box.

**10.0 TERMINAL BOX AND LEADS:**

10.1 Separate terminal box should be provided for each of the following:

- a) Stator leads.
- b) Space heaters.

REV.	6	1			WKD. BY	N.SANYAL	<i>[Signature]</i>	7.9.93
SIGN. & DATE	<i>[Signature]</i>	15/11/93			CHD. BY	N.P.MATHUR	<i>[Signature]</i>	14-9-93

4/10/93

P-5778



PRODUCT STANDARD  
HEAT EXCHANGER ENGINEERING

HE 57016

PAGE 18 OF 29

REV. & DATE

INVENTORY NO.

COPYRIGHT AND CONFIDENTIAL  
The information on this document is the property of BHARAT HEAVY ELECTRICALS LIMITED. It must not be used directly or indirectly in any way detrimental to the interest of the company.

REV. & DATE

INVENTORY NO.

10.2 Terminal boxes shall be of weather proof construction designed for outdoor service. To eliminate entry of dust and water, gaskets of neoprene or approved equivalent shall be provided at cover joints and between box and motor frame.

10.3 Terminal box shall be suitable for top and bottom entry of cables.

10.4 Unless otherwise approved, the terminal box shall be capable of being turned through 360 degrees in steps of 90 degrees.

10.5 All 415 volts terminal boxes shall be suitable for receiving 1.1 KV grade PVC insulated, PVC sheathed cables conforming to IS-1554.

10.6 Suitable tinned brass compression type cable glands and cable lugs shall be supplied by the contractor to match owner's cables.

10.7 Marking of all terminals shall be in accordance with IS-4728.

11.0 RATING PLATES:

11.1 Rating plates shall be provided for all motors, giving the details as called in the relevant standard e.g. IS 325 for three phase squirrel cage induction motor.

11.2 In addition to above, the rating plates shall indicate the following:

- a) Temperature rise in deg C under normal working conditions.
- b) Phase sequence corresponding to the direction of rotation for the application.
- c) Bearing identification number (in case of ball/roller bearing) and recommended lubricant.

12.0 TESTS:

12.1 Motors after complete assembly shall be subjected to both type and routine tests as per <sup>applicable</sup> relevant standards. ~~e.g. IS 325 and IS 4089 for 3 phase induction motors.~~ If however, the motor being supplied is a standard one, type test results carried out earlier on prototype or on any other machine of the same frame size shall be furnished alongwith the bid for BHEL's ~~review & approval~~ information.

REV.	6	2			WKD. BY	N. SANYAL	<i>[Signature]</i>	7.9.93
SIGN. & DATE	<i>[Signature]</i>	15/2/99			CHD. BY	N.P. MATHUR	<i>[Signature]</i>	14-9-93

P-5778  
4-10-85



PRODUCT STANDARD  
HEAT EXCHANGER ENGINEERING

HE 57016

PAGE 19 OF 29

SIGN & DATE

SUPERVISOR'S  
INVENTORY NO.

COPYRIGHT AND CONFIDENTIAL  
The information on this document is the property of BHARAT HEAVY ELECTRICALS LIMITED.  
It must not be used directly or indirectly in any way detrimental to the interest of the company

SIGN & DATE

4.10.93

INVENTORY NO.

P-5778

12.2 In addition, the following tests shall also be carried out.

a) Motors shall be designed to withstand 1.2 times the maximum rated speed for 2 minutes duration as specified in IS: 325.

b) Measurement of vibration shall be carried out as specified in IS: 12075.

12.3 Results of routine tests on all motors and results of type tests in accordance with the relevant standards shall be furnished in 4 copies to BHEL for its scrutiny and approval.

REV.					WKD.BY	N.SANYAL	<i>[Signature]</i>	7-9-93
SIGN. & DATE					CHD.BY	NP.MATHUR	<i>[Signature]</i>	14-9-93



**PRODUCT STANDARD**  
**HEAT EXCHANGER ENGINEERING**

**HE 57016**

PAGE 20 OF 29

SIGN & DATE

SUPERVISOR'S INVENTORY NO.

**COPYRIGHT AND CONFIDENTIAL**

The information on this document is the property of BHARAT HEAVY ELECTRICALS LIMITED. It must not be used directly or indirectly in any way detrimental to the interest of the company.

SIGN & DATE

INVENTORY NO.

4.10.93

P-5778

**APPENDIX-D**

**VACUUM PUMP : DATA SHEET**

(To be filled-in & submitted with the bid)

**I GENERAL**

- 1 Duty : Condenser air evacuation
- 2 Type : Liquid Ring Type
- 3 Bidder's name :
- 4 Model No.:

**II SCOPE OF SUPPLY**

(Refer system flow diagram at Appendix-A, for identification of various parts/components)

- 1 Vacuum Pump Yes
- 2 Main drive motor with space heater Yes
- 3 Coupling with coupling-guard Yes
- 4 Combined base plate (with foundation bolts, shims, nuts, washers etc.) Yes
- 5 Air water separator Yes
- 6 Water level gauge (on separator) Yes
- 7 Rotameter with isolating valve Yes
- 8 Check valve at separator outlet (with silencer, if required) Yes
- 9 High & low level switches for alarm Yes
- 10 Seal water float operated make-up <sup>solenoid</sup> valve Yes
- 11 Seal water float operated overflow valve/ or overflow drain lock Yes
- 12 System inlet valve Yes
- 13 Differential pressure switch Yes
- 14 Vacuum switch for standby pump operation Yes
- 15 Vacuum gauge with valve Yes
- 16 Pressure transmitter Yes/No
- 17 Air ejector system Yes/No
- 18 Anti-cavitation device with control Yes
- 19 Instrument air filter with regulator Yes
- 20 Seal water recirculation pump with motor Yes
- 21 Heat exchanger (shell & tube type) (tube O.D. shall not be less than 5/8") Yes
- 22 Pressure gauge with valve Yes
- 23 Seal water flow indicator (for seal water flow measurement) Yes
- 24 Seal water flow switch Yes/No
- 25 Seal water temperature switch Yes/No
- 26 Temperature gauge with thermowell (at all the four terminals of the heat exchanger) Yes

REV.	6	1			WKD. BY.	N.SANYAL	<i>[Signature]</i>	7.9.93
SIGN & DATE	<i>[Signature]</i>	15/2/93			CHD. BY	N.P.MATHUR	<i>[Signature]</i>	14-9-93



**PRODUCT STANDARD**  
**HEAT EXCHANGER ENGINEERING**

**HE 57016**

PAGE 21 OF 29

SIGN & DATE

SUPERVISOR'S INVENTORY NO.

COPYRIGHT AND CONFIDENTIAL  
The information on this document is the property of BHARAT HEAVY ELECTRICALS LIMITED. It must not be used directly or indirectly in any way detrimental to the interest of the company.

SIGN & DATE

INVENTORY NO.

- 27 Terminal box Yes
- 28 Necessary valves/piping/instruments etc. (to make the system complete) Yes
- 29 Companion flanges with gaskets, fasteners etc. (for purchaser's terminal points) Yes
- 30 Items not included above (list the items)

**III DESIGN AND PERFORMANCE**

- 1 Codes and Standards :
- 2 Capacity in free dry air saturated with water vapour at suction pressure of 1" Hg absolute and subcooled by 7.5 deg F : SCFM
- 3 Capacity in free dry air saturated with water vapour at suction pressure of 0.5" Hg absolute and subcooled by 7.5 deg F : SCFM
- 4 Discharge Pressure : Atmospheric
- 5 Blank off suction pressure : mbar  
(with cooling water temperature at Condenser design point as specified in the Annexure)
- 6 Power required at motor terminals :
  - a. Maximum. kW
  - b. At Pump design point (1"Hg abs. suction pr.) kW
  - c. At Condenser design point (as specified in Annex.) kW
- 7 Cooling water required : cu.m/hr
- 8 Cooling water pressure drop : mwc  
(across heat exchanger terminals)
- 9 Sealing water flow : cu.m/hr
- 10 Sealing water pressure drop : mwc  
(across heat exchanger terminals)
- 11 Pump down time : min  
(with two pumps, c.w.temp. at Condenser design point & volume to be evacuated as specified in the Annexure)
- 12 Instrument air requirement with pressure:
- 13 Vacuum Pump
  - 13.1 No. of stages :
  - 13.2 Pump rated speed : rpm

4-10-93

P-5778

REV.					WKD. BY	N.SANYAL	<i>[Signature]</i>	7-9-93
SIGN. & DATE					CHD. BY	N.P.MATHUR	<i>[Signature]</i>	14-9-93



**PRODUCT STANDARD**  
**HEAT EXCHANGER ENGINEERING**

**HE 57016**

PAGE 22 OF 29

SIGN & DATE

SUPERSEDES INVENTORY NO.

**COPYRIGHT AND CONFIDENTIAL**  
The information on this document is the property of BHARAT HEAVY ELECTRICALS LIMITED. It must not be used directly or indirectly in any way detrimental to the interest of the company.

SIGN & DATE

4-10-93

INVENTORY NO. P-5778

- 13.3 Rotor vane tip speed : m/sec
- 13.4 Moment of Inertia :
  - a. Pump : kg-sq.m
  - b. Pump Motor set : kg-sq.m
- 13.5 Pump starting torque : kg.m
- 13.6 Pump design torque : kg.m
  
- 14 Seal water heat exchanger
  - 14.1 Type : Shell and tube
  - 14.2 Range of c.w.inlet temp. : As indicated in Annexure
  - 14.3 Heat transfer area : sq.m
- At Pump design point (1" Hg abs. suction pressure):
  - 14.4(A) Total heat load : kcal/hr
  - 14.5(A) Heat exchanger terminal-temperatures:
    - a. At Cooling water inlet (considered) : deg C
    - b. At Cooling water outlet : deg C
    - c. At Seal water inlet : deg C
    - d. At Seal water outlet : deg C
  - 14.6(A) Heat transfer rate : kcal/hr-sq.m-deg C
- At Condenser design point-as specified in the Annexure
  - 14.4(B) Total heat load : kcal/hr
  - 14.5(B) Heat exchanger terminal-temperatures:
    - a. At Cooling water inlet (considered) : deg C
    - b. At Cooling water outlet : deg C
    - c. At Seal water inlet : deg C
    - d. At Seal water outlet : deg C
  - 14.6(B) Heat transfer rate : kcal/hr-sq.m-deg C
- 14.7 Design pressure
  - a. Shell side : kg/sq.cm g
  - b. Tube side : kg/sq.cm g
- 14.8 Test pressure
  - a. Shell side : kg/sq.cm g
  - b. Tube side : kg/sq.cm g
  
- 15 Seal water recirculation pump
  - 15.1 Design capacity : cubic m/hr
  - 15.2 Total Developed Head at design capacity : mwc
  - 15.3 Shut off head : mwc
  - 15.4 Power absorbed (at motor terminals) : kW
  - 15.5 Motor rating : kW

REV.					WKD.BY	N.SANYAL	<i>[Signature]</i>	7.9.93
SIGN. & DATE					CHD.BY	N.P.MATHUR	<i>[Signature]</i>	14-9-93



**PRODUCT STANDARD**  
**HEAT EXCHANGER ENGINEERING**

**HE 57016**

PAGE 23 OF 29

SIGN & DATE

SUPERSEDES INVENTORY NO.

COPYRIGHT AND CONFIDENTIAL  
 The information on this document is the property of BHARAT HEAVY ELECTRICALS LIMITED. It must not be used directly or indirectly in any way detrimental to the interest of the company.

SIGN & DATE

INVENTORY NO.

4-10-73

P-5778

**IV Construction features and material of construction**

- 1 Vacuum Pump
  - a. Manufacturer
  - b. Model No.
  - c. No. of stages.
  - d. Rotation (when viewed from drive end)
  - e. Bearings (1st stage)  
No., type and size (each end)
  - f. Bearings (2nd stage, if applicable)  
No., type and size (each end)
  - g. Suction connection size. mm NB
  - h. Discharge connection size. mm NB
  - i. Casing material
  - j. Impeller material
  - k. Wearing sleeve material
  - l. Shaft material
  
- 2 Heat exchanger
  - a. Manufacturer
  - b. Type of tubes Straight
  - c. No. of passes on tube side.
  - d. Tube size (O/D X thickness X length) mm
  - e. Tube material
  - f. Tube plate material
  - g. Shell material
  - h. Water box (Bonnet/Channel) material
  
- 3 Seal water recirculation pump
  - a. Manufacturer
  - b. Type Centrifugal
  - c. Model
  - d. Casing material
  - e. Impeller material
  - f. Shaft material
  - g. Material of shaft sleeves (if provided)
  
- 4 Air Ejector (if provided)
  - a. Manufacturer
  - b. Suction size. mm NB
  - c. Discharge size. mm NB
  - d. Nozzle material
  - e. Diffuser material
  
- 5 Space heaters
  - a. Manufacturer
  - b. Model No.
  - c. Wattage rating
  - d. Nos. each kW
  - e. Rated Voltage and No. of phases.

REV.					WKD. BY	N.SANYAL	<i>Nf</i>	7.9.93
SIGN. & DATE					CHD. BY	N.P.MATHUR	<i>Nm and</i>	14-9-93



**PRODUCT STANDARD**  
**HEAT EXCHANGER ENGINEERING**

**HE 57016**

PAGE 24 OF 29

SIGN & DATE

SUPERSEDES INVENTORY NO.

**COPYRIGHT AND CONFIDENTIAL**

The information on this document is the property of BHARAT HEAVY ELECTRICALS LIMITED. It must not be used directly or indirectly in any way detrimental to the interest of the company.

SIGN & DATE

4-10-93

INVENTORY NO.

P-5778

- 6 Air Water Separator
  - a. Manufacturer
  - b. Size, dia. X length and volume
  - c. Material
- 7 Air flow meter (Rotameter)
  - a. Manufacturer
  - b. Type
  - c. Model no.
  - d. Range (must be atleast 1.5 times the pump capacity at 76.0 mm Hg abs. suction pressure) kg/hr
- 8 Check Valve (at separator outlet)
  - a. Manufacturer
  - b. Model No.
  - c. Size mm NB
  - d. Seat material
- 9 ~~Float operated Seal water makeup valve~~ <sup>solenoid</sup> valve (6)
  - a. Manufacturer
  - b. Model No.
  - c. Size mm NB
  - d. Seat material
- 10 Float operated seal water over flow valve (if provided) (6)
  - a. Manufacturer
  - b. Model No.
  - c. Size mm NB
  - d. Seat material
- 11 Duplex filter (if specified in the Annexure)
  - a. Manufacturer
  - b. Model No.
  - c. Mesh size
  - d. Valve seat material
  - e. Baskets & inserts material
  - f. Pressure drop (at design c.w. flow) mwc

**V Guaranteed Performance**

- a. Capacity in free dry air saturated with water vapour at suction pressure of 1" Hg absolute and subcooled by 7.5 deg F at design ITD. SCFM
- b. Total Power consumption at motor terminals at condenser design point (including seal water pump) kW  
Bidder is liable to pay as penalty an amount/kW (if specified in the Annexure) for extra power consumption over the guaranteed value.

REV.	6	1			WKD. BY	N. SANYAL	<i>[Signature]</i>	7-9-93
SIGN. & DATE	<i>[Signature]</i>	15/2/99			CHD. BY	N.P. MATHUR	<i>[Signature]</i>	14-9-93



**PRODUCT STANDARD**  
**HEAT EXCHANGER ENGINEERING**

**HE 57016**

PAGE 25 OF 29

SIGN & DATE

SUPERSEDES  
INVENTORY NO.

**COPYRIGHT AND CONFIDENTIAL**  
The information on this document is the property of BHARAT HEAVY ELECTRICALS LIMITED. It must not be used directly or indirectly in any way detrimental to the interest of the company.

c. Pump down time to evacuate vol. shown in the Annexure from atm. pressure to 10" Hg abs. minutes

**VI Tests and inspection**

Will all the tests, inspection and test certificates detailed in the specification be conducted/furnished ?

If no, please furnish details of non-compliance. Yes/No

**VII Weights and Spaces**

- 1 Weights.
  - a. Complete package (dry) kg
  - b. Complete package (operating) kg
  - c. Pump alone. kg
  - d. Motor alone. kg
- 2 Floor space required. mmXmm
- 3 Maintenance space required.

SIGN & DATE

4/10.93

INVENTORY NO.

P-5778

REV.					WKD. BY	N.SANYAL	<i>[Signature]</i>	7.9.93
SIGN. & DATE					CHD. BY	N.P.MATHUR	<i>[Signature]</i>	14-9-93



**PRODUCT STANDARD**  
**HEAT EXCHANGER ENGINEERING**

**HE 57016**

PAGE 26 OF 29

APPENDIX-E

MOTOR: DATA SHEET

(to be filled-in & submitted with the bid)

**1.0 GENERAL**

- i) Manufacturer. i) -----
- ii) Equipment driven by motor. ii) -----
- iii) Motor type. iii) -----
- iv) Country of origin. iv) -----

**2.0 DESIGN AND PERFORMANCE**

- i) Frame size. i) -----
- ii) Type of duty. ii) -----
- iii) Type of enclosure and method of cooling. iii) -----
- iv) Degree of protection. iv) -----
- v) Applicable standard to which motor generally conforms, v) -----
- vi) Type of mounting. vi) -----
- vii) Direction of rotation as viewed from non-driving end. vii) -----
- viii) Standard continuous rating at 40.0 deg C ambient temp. as per Indian Standard. (KW) viii) -----
- ix) Derated rating for specified ambient temp. of 50.0 deg C (KW) ix) -----
- x) Rated voltage. (Volts) x) -----
- xi) Permissible variation of \* xi) -----
  - a) Voltage. a) -----
  - b) Frequency. b) -----
  - c) Combined voltage and frequency. c) -----
- \* (Not less than asked for in the specification.)
- xii) Minimum permissible starting voltage (volts) \* xii) -----
  - \* (Not more than asked for in the specification.)
- xiii) Rated speed at rated voltage and frequency. (rpm.) xiii) -----
- xiv) Full load current. (amps.) xiv) -----
- xv) No load current. (amps.) xv) -----

SIGN & DATE

COPYRIGHT AND CONFIDENTIAL  
The information on this document is the property of BHARAT HEAVY ELECTRICALS LIMITED. It must not be used directly or indirectly in any way detrimental to the interest of the company

SIGN & DATE

INVENTORY NO.  
P-5778

REV.					WKD. BY	N. SANYAL	<i>[Signature]</i>	7.9.93
SIGN. & DATE					CHD. BY	N.P. MATHUR	<i>[Signature]</i>	14-9-93



PRODUCT STANDARD  
HEAT EXCHANGER ENGINEERING

HE 57016

PAGE 27 OF 29

SIGN & DATE

SUPERSEDES INVENTORY NO.

COPYRIGHT AND CONFIDENTIAL

The information on this document is the property of BHARAT HEAVY ELECTRICALS LIMITED. It must not be used directly or indirectly in any way detrimental to the interest of the company.

SIGN & DATE

INVENTORY NO.

4-10-93

P-5778

- xvi) Power factor at
  - a) 100% load.
  - b) 75% load.
  - c) 50% load.
  - d) No load.
- xvii) Efficiency at rated voltage and frequency at (%)
  - a) 100% load.
  - b) 75% load.
  - c) 50% load.
- xviii) Starting current at (amps.)
  - a) 100% voltage.
  - b) 80% voltage.
- xix) Starting time with minimum permissible voltage of 80% of rated voltage.(secs.)for
  - a) Without driven equipment coupled.
  - b) With driven equipment coupled.
- xx) Starting time with 100% of rated voltage.(secs.)for
  - a) Without driven equipment coupled.
  - b) With driven equipment coupled.
- xxi) Safe stall time with 110% of rated voltage. (secs.) for
  - a) From hot condition.
  - b) From cold condition.
- xxii) Safe stall time with 100% of rated voltage. (secs.) for
  - a) From hot condition.
  - b) From cold condition.
- xxiii) Torque (Kg.Metre) at
  - a) Starting (at minimum permissible voltage)
  - b) Pull up.
  - c) Pull out.
  - d) Rated load.
- xxiv) Stator winding resistance per phase. (ohms).
- xxv) Fly wheel moment of inertia (GDsquare) of motor(Kg-sq.m)
- xxvi) Size of earthing conductor

- xvi)
  - a) -----
  - b) -----
  - c) -----
  - d) -----
- xvii)
  - a) -----
  - b) -----
  - c) -----
- xviii)
  - a) -----
  - b) -----
- xix)
  - a) -----
  - b) -----
- xx)
  - a) -----
  - b) -----
- xxi)
  - a) -----
  - b) -----
- xxii)
  - a) -----
  - b) -----
- xxiii)
  - a) -----
  - b) -----
  - c) -----
  - d) -----
- xxiv) -----
- xxv) -----
- xxvi) -----

REV.	6	1			WKD. BY	N.SANYAL		7.9.93
SIGN. & DATE		15/11/93			CHD. BY	N.P.MATUR		14-9-93



PRODUCT STANDARD  
HEAT EXCHANGER ENGINEERING

HE 57016

PAGE 28 OF 29

SIGN & DATE

SUPERSEDES INVENTORY NO.

COPYRIGHT AND CONFIDENTIAL

The information on this document is the property of BHARAT HEAVY ELECTRICALS LIMITED. It must not be used directly or indirectly in any way detrimental to the interest of the company.

SIGN & DATE

4.10.93

INVENTORY NO.

P-5778

3.0 CONSTRUCTIONAL FEATURES

- i) Stator winding insulation.
  - a) Tropicalised (Yes/No). i) -----
  - b) Class & Type. a) -----
  - c) Temperature rise over 50.0 deg C ambient temp. (deg C) b) -----
  - d) Stator winding connections. c) -----
  - e) Number of terminals brought out. d) -----
- ii) Type of terminal box for
  - a) Stator leads. e) -----
  - b) Space heater. ii) -----
- iii) For main terminal box(suggestive).
  - a) Location. iii) -----
  - b) Entry of cables. a) -----
  - c) Recommended cable size. b) -----
  - d) Fault level. (MVA) KA/sec. c) -----
  - iv) Drive end/Non-Drive end. d) 50 -----
- iv) For Bearings.
  - a) Type. iv) -----
  - b) Manufacturer. a) -----
  - c) Size. b) -----
  - d) Recommended lubricant. c) -----
- v) Space heaters.
  - a) Numbers. v) -----
  - b) Location. a) -----
  - c) Power requirement. (KW) b) -----
- vi) Weight (Kg.) of
  - a) Motor stator. c) -----
  - b) Motor rotor. vi) -----
  - c) Total motor. a) -----

4.0 CHARACTERISTIC CURVES (AT 80%, 100% & 110% OF RATED VOLTAGE)

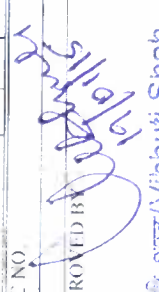
- i) Current v/s speed. Curve No. i) -----
- ii) Torque v/s speed. ii) -----
- iii) Thermal withstand curve. iii) -----
- iv) Current v/s time. iv) -----

REV.	b	1			WKD. BY	N. SANYAL	<i>[Signature]</i>	7.9.93
SIGN. & DATE	<i>[Signature]</i>	15/2/93			CHD. BY	N. R. MATHUR	<i>[Signature]</i>	14-9-93



<b>BHEL</b>		<b>MANUFACTURERS NAME &amp; ADDRESS</b>			<b>INSPECTION AND TEST PLAN</b>			<b>PROJECT : IB VALLEY</b>		
		ITEM: Vacuum Pump Unit			QP NO. QA/BI/QP/006			PACKAGE: TG		
		SUB-SYSTEM:			REV.: 00			CONTRACT NO.:		
		TYPE OF CHECK			DATE: 2.11.12			CONTRACTOR: BHEL		
COMPONENT / OPERATION		CHARACTERISTICS	CLASS	QUANTITY OF CHECK	REFERENCE / ACCEPTANCE NORMS	FORMAT OF RECORD			REMARKS	
Sr. No	2.	3.	4.	5.	6.	7.	M	C	N	10.
1.										

Sr. No	COMPONENT / OPERATION	CHARACTERISTICS	CLASS	TYPE OF CHECK	QUANTITY OF CHECK	REFERENCE / ACCEPTANCE NORMS	FORMAT OF RECORD	M	C	N	REMARKS
1.	MAIN PARTS FOR VACUUM PUMP • CASING • IMPELLER • SHAFT	CHEMICAL & MECHANICAL PROPERTIES	MAJOR	CHEMICAL & MECHANICAL	PER HEAT	AS PER APPROVED DRAWING / DATASHEET	AS PER APPROVED DRAWING / DATASHEET	AS PER APPROVED DRAWING / DATASHEET	AS PER APPROVED DRAWING / DATASHEET	AS PER APPROVED DRAWING / DATASHEET	NO WELD REPAIR PERMITTED
2.	PIPE / FITTINGS (For System Pipe Work)	EXAMINATION OF MACHINED SURFACES	MAJOR	VISUAL & DPT	100%	ASME VIII DIV 1 APPENDIX 7	AS PER APPROVED DRAWING / DATASHEET	AS PER APPROVED DRAWING / DATASHEET	AS PER APPROVED DRAWING / DATASHEET	AS PER APPROVED DRAWING / DATASHEET	
3.	PUMP BEARINGS	CHEMICAL & MECHANICAL PROPERTIES	MAJOR	CHEMICAL & MECHANICAL	100%	AS PER APPROVED DRAWING / DATASHEET	AS PER APPROVED DRAWING / DATASHEET	AS PER APPROVED DRAWING / DATASHEET	AS PER APPROVED DRAWING / DATASHEET	AS PER APPROVED DRAWING / DATASHEET	
4.	IMPELLER	DIMENSIONS	MAJOR	VISUAL	100%	AS PER APPROVED DRAWING / DATASHEET	AS PER APPROVED DRAWING / DATASHEET	AS PER APPROVED DRAWING / DATASHEET	AS PER APPROVED DRAWING / DATASHEET	AS PER APPROVED DRAWING / DATASHEET	
5.	SHAFT	MAKE/TYPE	MAJOR	VISUAL	100%	AS PER APPROVED DRAWING / DATASHEET	AS PER APPROVED DRAWING / DATASHEET	AS PER APPROVED DRAWING / DATASHEET	AS PER APPROVED DRAWING / DATASHEET	AS PER APPROVED DRAWING / DATASHEET	
6.	VACUUM PUMP ASSEMBLY	DYNAMIC BALANCING	MAJOR	BALANCING AT RATED SPEED	100%	VENDOR'S STD	ISO 1940 GR 6.3	ISO 1940 GR 6.3	ISO 1940 GR 6.3	ISO 1940 GR 6.3	
		UT TEST	MAJOR	CHECK	100%	ASTM A 388	NO CRACKS	NO CRACKS	NO CRACKS	NO CRACKS	
		PERFORMANCE TEST WITH SLAVE MOTOR	MAJOR	CAPACITY, AMPS REQ. & SEALANT FLOW v SUCTION PRESSURE	100%	VENDORS STD/AS PER APPROVED DRAWING / DATASHEET	AS PER APPROVED DRAWING / DATASHEET	AS PER APPROVED DRAWING / DATASHEET	AS PER APPROVED DRAWING / DATASHEET	AS PER APPROVED DRAWING / DATASHEET	

MANUFACTURER/SUB CONTRACTOR	CONTRACTOR	FOR CUSTOMER	DOC NO
LEGEND: ✓ RECORDS IDENTIFIED WITH 'TICK' SHALL BE ESSENTIALLY INCLUDED BY CONTRACTOR IN QA DOCUMENTATION M- MANUFACTURER / SUBCONTRACTOR I- INSPECTION AGENCY P- PERFORM 'W' WITNESS AND 'V' VERIFICATION ALL 'W' INDICATED IN COLUMN 'N' SHALL BE 'C' OF CUSTOMER		REVIEWED BY	APPROVED BY
		 <b>श्री विभूति शाह / Vibhuti Shah</b> अभियंता / Engineer	
		गुणवत्ता/Quality Assurance ऑफिस, हरिद्वार/BHEL Haridwar	



BHEL		MANUFACTURERS NAME & ADDRESS			INSPECTION AND TEST PLAN				PROJECT : IB VALLEY		
Sr. No		COMPONENT / OPERATION	CHARACTERISTICS	CLASS	TYPE OF CHECK	QUANTUM OF CHECK	REFERENCE / ACCEPTANCE NORMS	FORMAT OF RECORD	AGENCY		REMARKS
1		2	3	4	5	6	7	8	M	C	N
		ITEM: Vacuum Pump Unit		SUB-SYSTEM:		QP NO. QA/BI/QP/006 REV.: 00 DATE: 2.11.12 PAGE: Page 3 of 5		PACKAGE: TG CONTRACT NO.: CONTRACTOR: BHEL			

Sr. No	COMPONENT / OPERATION	CHARACTERISTICS	CLASS	TYPE OF CHECK	QUANTUM OF CHECK	REFERENCE / ACCEPTANCE NORMS	FORMAT OF RECORD	M	C	N	REMARKS
8	MOTOR	HYDRASTATIC TEST IDENTITY ROUTINE TEST TYPE REPORT	MAJOR	PRESSURE TEST VISUAL & MEASUREMENT TEST TEST	100%	APPROVED DRAWING / DATASHEET IEC 60034 / IEC 34.1 / BS 4999	TC	-	P	V	Type Test Of Same Vendor, Model, Rating Shall be Reviewed
9	INSTRUMENTS TEMP / PRESSURE GAUGES	CALIBRATION AND ACCURACY	MAJOR	CALIBRATION	100%	AS PER VENDOR STD / APPROVED DRAWING / DATASHEET	COC	V	P	V	
10	SEPARATOR	PNEUMATIC PRESSURE TEST	MAJOR	PRESSURE TEST	100%	APPROVED DRAWING DATASHEET	TC	V	P	V	
11	PACKAGE ASSEMBLY	HYDROSTATIC TEST PERFORMANCE TEST	MAJOR	LEAKAGE TEST CAPACITY & POWER VS SUCTION	100%	VENDOR'S STD VENDOR'S STD	TC	V	P	W	

MANUFACTURER/SUB CONTRACTOR	CONTRACTOR	FOR CUSTOMER	DOC NO
		REVIEWED BY	APPROVED BY

*(Handwritten signature)*

3

श्री अशोक कुमार शर्मा / Vibhuti Shah  
 अभियंता/Engineer  
 सुरक्षा/Quality Assurance  
 एन.पी.ए.ए. अडार/BHEL Haridwar

2


<b>INSPECTION AND TEST PLAN</b>		<b>PROJECT : IB VALLEY</b>	
<b>MANUFACTURERS NAME &amp; ADDRESS</b>		<b>PACKAGE: TG</b>	
<b>ITEM: Vacuum Pump Unit</b>		<b>CONTRACT NO.:</b>	
<b>QIP NO. QA/BI/QP/006</b>		<b>CONTRACTOR: BHEL</b>	
<b>REV.: 00</b>			
<b>DATE: 2.11.12</b>			
<b>PAGE: Page 4 of 5</b>			
<b>REFERENCE (ACCEPTANCE NORMS)</b>		<b>FORMAT OF RECORD</b>	
7.		M	C
		D	9.
		8.	10.

Sl. No	COMPONENT OPERATION	CHARACTERISTICS	CLASS	TYPE OF CHECK	QUANTUM OF CHECK	AS PER APPD WRITE UP	AS PER APPD WRITE UP	AS PER BHEL APPD. PID	TC	IF APPLICABLE	REMARKS
1	2	3	4	5	6	7.	8.	9.	10.		
	PLC	PRESSURE PROGRAMME DEMOSTRATION	100%	AS PER APPD WRITE UP	AS PER APPD WRITE UP	AS PER BHEL APPD. PID	TC	✓	P	W	
	NOISE MEASUREMENT	NOISE LEVEL CHECK	100%	VENDOR'S STD	APPROVED DATASHEET		TC	✓	P	W	
	VIBRATION	-VIBRATION CHECK	100%	VENDOR'S STD	APPROVED DATASHEET		TC	✓	P	W	
	VISUAL / DIMENSIONAL	VISUAL / MEASUREMENT	100%	VENDOR'S STD	APPROVED DATASHEET		TC	✓	P	W	
12.	COMPLETE PACKAGE	CONFIRMATION FOR COMPLETENESS OF BHEL APPD. PID	100%	VISUAL	AS PER BHEL APPD. PID		TC	✓	P	W	
13	PAINTING & PACKING	MAJOR CHECK	100%	CHECK	VENDOR'S STD		CHECK	-	P	-	

<b>MANUFACTURER/SUB CONTRACTOR</b>	<b>FOR CUSTOMER</b>		<b>DOC NO</b>
	<b>REVIEWED BY</b>	<b>APPROVED BY</b>	
<p>LEGEND:  RECORDS IDENTIFIED WITH 'TICK' SHALL BE ESSENTIALLY INCLUDED BY CONTRACTOR IN QA DOCUMENTATION  M- MANUFACTURER / SUBCONTRACTOR  C- CONTRACTOR / NOM IN CUSTOMER  W- WITNESS AND 'V' VERIFICATION  INDICATED IN COLUMN 'N' SHALL BE 'CIP' OF CUSTOMER</p>			
<b>विद्युत अभियंता/Quality Assurance</b> <b>श्री. एच. ई. एन., हरिद्वार/BHEL Haridwar</b>			

<b>BHEL</b>		<b>MANUFACTURERS NAME &amp; ADDRESS</b>		<b>INSPECTION AND TEST PLAN</b>			<b>PROJECT : IB VALLEY</b>				
		ITEM: Vacuum Pump Unit		QP NO.QA/BI/QP/006			PACKAGE: TG				
		SUB-SYSTEM:		REV.: 00			CONTRACT NO.:				
		TYPE OF CHECK		DATE: 2.11.12			CONTRACTOR: BHEL				
		CLASS		PAGE: Page 5 of 5			FORMAT OF RECORD				
Sr. No		CHARACTERISTICS		QUANTUM OF CHECK		M			C	N	
1.		3.		6.		8.			D	9.	10.
		4.		5.		7.			REMARKS		

**NOTE: - TYPE TESTS - HUMID AIR TEST AND CAVITATION TO BE DONE ONLY ONCE PER PUMP TYPE**

  
**विभूती शाह/Vibhuti Shah**  
 अभियन्ता/Engineer  
 गुणता आश्वासन/Quality Assurance  
 री. एच. ई. एल., हरिद्वार/INDIA

MANUFACTURER/SUB CONTRACTOR	CONTRACTOR	FOR CUSTOMER	DOC NO
		REVIEWED BY	APPROVED BY
CONTRACTOR SHALL BE ESSENTIALLY INCLUDED BY CONTRACTOR IN QA DOCUMENTATION P, M, MANUFACTURER / SUB CONTRACTOR INSPECTION AGENCY INDICATE 'P' PERFORM 'W' WITNESS AND 'V' VERIFICATION ALL 'W' INDICATED IN COLUMN 'N' SHALL BE 'CHIP' OF CUSTOMER			

①