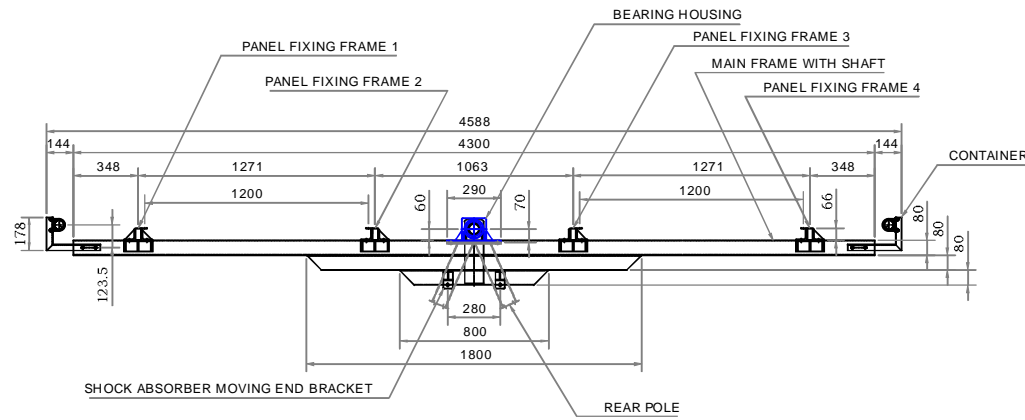


The information on this document is the property of BHARAT HEAVY ELECTRICALS LIMITED. It must not be used directly or indirectly in any way detrimental to the interest of the company.

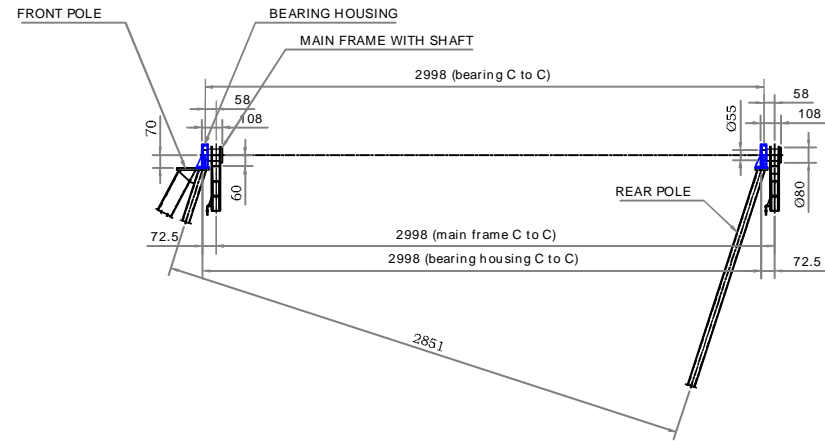
00-10-29-62-01-00
DRAWING No.

First Angle Projection

All dimensions are in MM



SECTION A-A



SECTION B-B

NOTE:

READ THIS DRG. ALONG WITH DRG. No. **3-18-16-879-62-01-00, REV. 0, SHEET 1 OF 5 & SHEET 2 OF 5.**

ITEM No.	DESCRIPTION	DRAWING No.	MTL. SPCN. MTL. CODE	QTY.	UNIT WT. (Kg.)
TYPE OF PRODUCT OR NAME OF THE CUSTOMER/PROJECT Pilot demonstration of 50 kWp SPV system with Tilted Axis Solar Trackers					
BHARAT HEAVY ELECTRICALS LTD. CORPORATE RESEARCH AND DEVELOPMENT		NAME	SIGN	DATE	No. OF VAR
DEPT FCR CODE 62		DRN	CKD	APPD	
		MATERIAL	SCALE	TOTAL WT. (Kg.)	REF. TO ASSY. DRG.
			NTS		ITEM No.
TITLE		DRAWING No.		REV.	
SUPPORT STRUCTURE OF 3.1 kWp TILTED AXIS SOLAR TRACKER		3-18-16-879-62-01-00		0	
		SHT. No. SHEET 3 OF 5		No. OF SHTS. 5	