

00-10-29-62-81-81-3-18-16-879-62-01-00

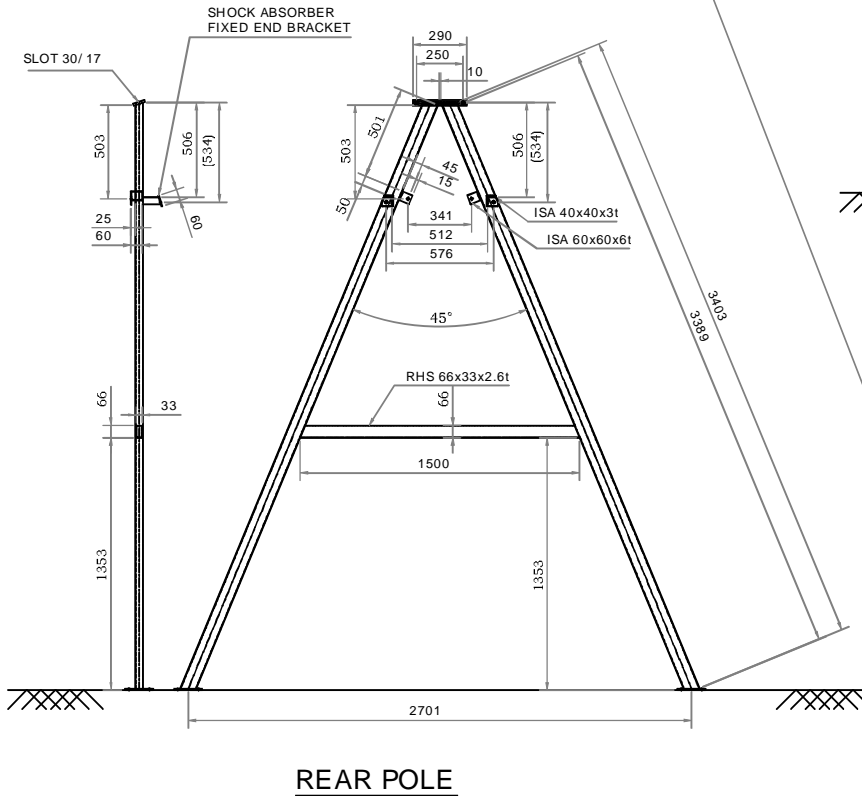
DRAWING No.

First Angle Projection

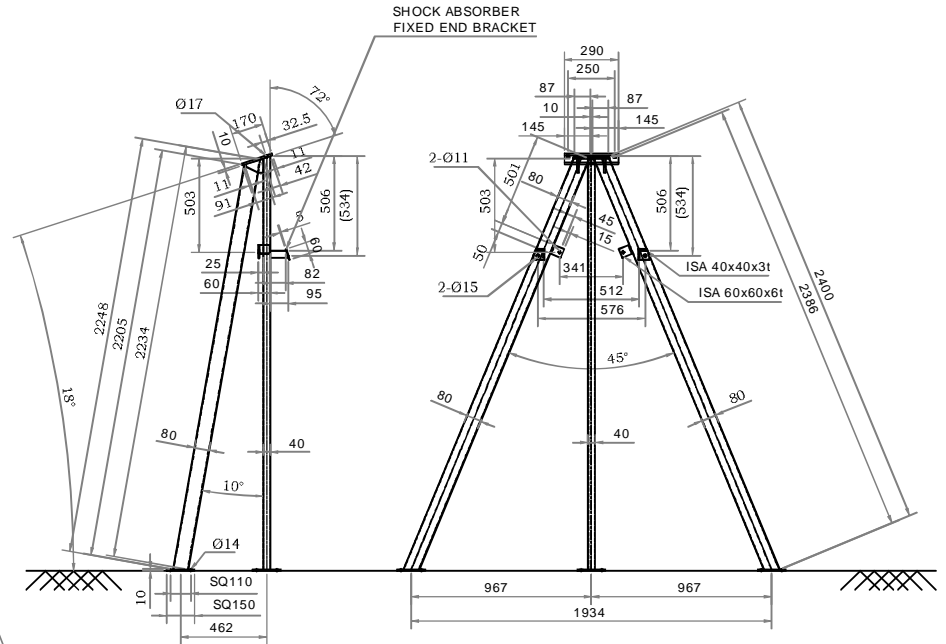
All dimensions are in MM

**NOTE:**

READ THIS DRG. ALONG WITH DRG.  
No. 3-18-16-879-62-01-00, REV. 0,  
SHEET 1 OF 5.



**REAR POLE**



**FRONT POLE**

ITEM No.	DESCRIPTION	DRAWING No.	MTL. SPCN. MTL. CODE	QTY.	UNIT WT. (Kg.)
TYPE OF PRODUCT OR NAME OF THE CUSTOMER/PROJECT					
		Pilot demonstration of 50 kWp SPV system with Tilted Axis Solar Trackers			
<b>BHARAT HEAVY ELECTRICALS LTD.</b> CORPORATE RESEARCH AND DEVELOPMENT		NAME	SIGN	DATE	No. OF VAR
		DRN	KVPR RAO		
		CKD	SURYA ASP		
		APPD	M R PAWAR		
DEPT CODE	MATERIAL	SCALE	TOTAL WT. (Kg.)	REF. TO ASSY. DRG.	ITEM No. No. OF ITEM
62		NTS			
TITLE			DRAWING No.		REV.
SUPPORT STRUCTURE OF 3.1 kWp TILTED AXIS SOLAR TRACKER			3-18-16-879-62-01-00		0
			SHT. No. SHEET 5 OF 5		No. OF SHTS. 5

The information on this document is the property of BHARAT HEAVY ELECTRICALS LIMITED. It must not be used directly or indirectly in any way detrimental to the interest of the company.