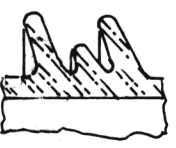
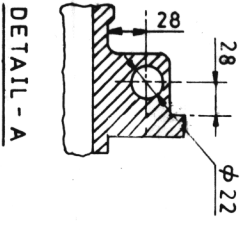
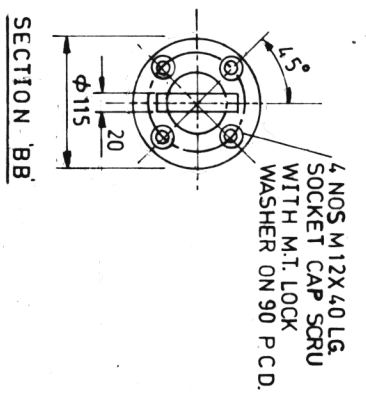
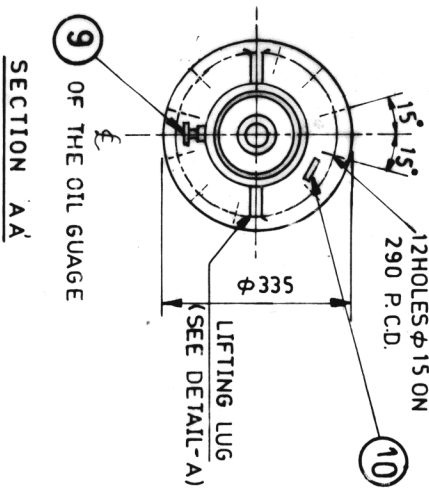
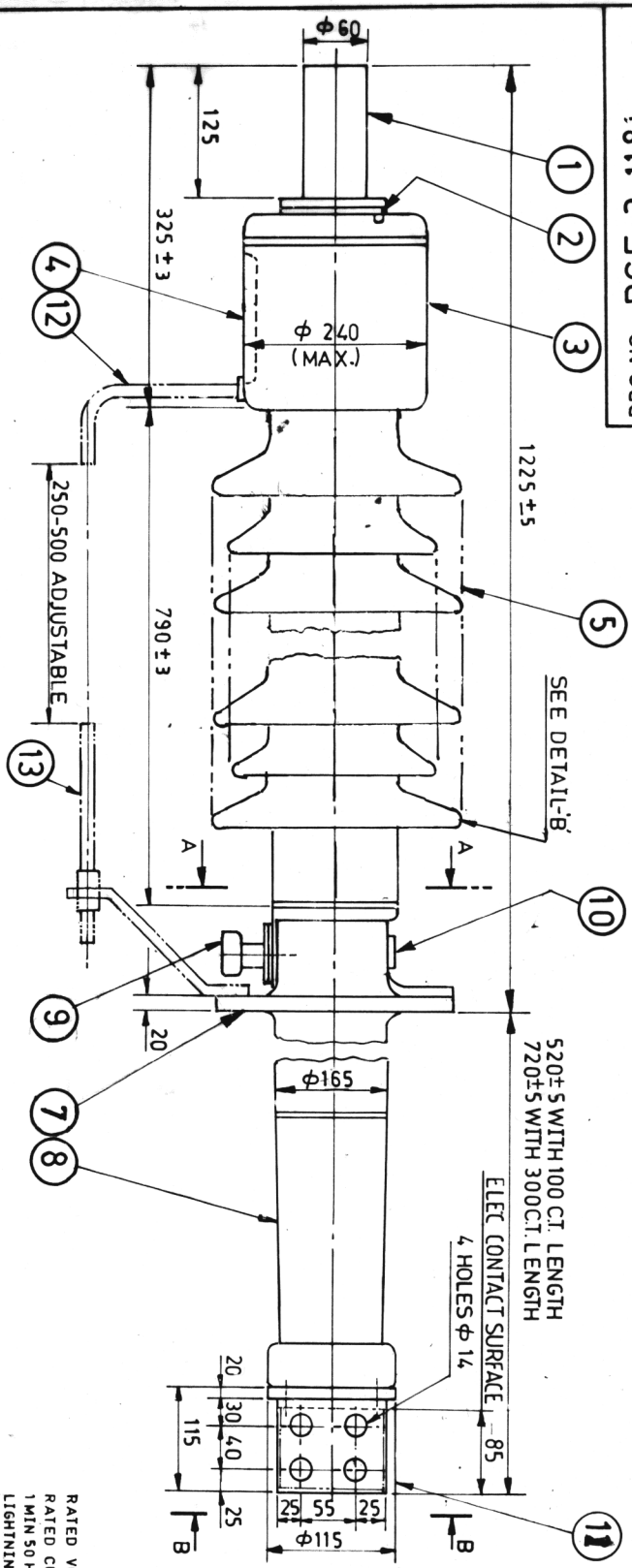


1811-C-3CB DRG. NO.



IT.	DESCRIPTION	MATERIAL	QTY
1.	TOP TERMINAL	COPPER	1
2.	FILLING PLUG	H.T. STEEL	1
3.	TOP CAP	AL. ALLOY	1
4.	OIL LEVEL GAUGE	TOUGHENED GLASS	1
5.	PORCELAIN INSULATOR	PORCELAIN (BROWN GLAZED)	1
6.	AIR-RELEASE PLUG	S-STEEL	1
7.	MOUNTING FLANGE	AL. ALLOY	1
8.	BOTTOM PORCELAIN	PORCELAIN (BROWN GLAZED)	1
9.	TEST TAP	AL. ALLOY	1
10.	RATING PLATE	AL. ANODISED	1
11.	BOTTOM TERMINAL	COPPER FORGING	1
12.	TOP ARCING HORN	BRT. STEEL	1
13.	BOTTOM ARCING HORN	BRT. STEEL	1

TECHNICAL DETAILS

RATED VOLTAGE 72.5 KV
 RATED CURRENT 2000/3150A
 1 MIN 50 HZ DRY & WET WITHSTAND. 140 KV.
 LIGHTNING IMPULSE 12/50μ SEC FULL WAVE 325KVP.
 RATED FREQUENCY 50 HZ.
 STANDARD APPLICABLE IS:2099/IEC:137
 MINIMUM CREEPAGE DISTANCE 1015 MM
 APPROX. OIL QTY 12 LITRES
 INSTALLATION ANGLE FROM VERTICAL 30° MAX.
 TRANSPORTATION ANGLE OF HORIZONTAL TYPE: OUTDOOR OIL IMMERSED BUSHING 15° MIN.
 CANTILEVER TEST LOAD 2000 N
 ARCING HORNS: OPTIONAL

ITEM	2000 A	3150 A
100CT.	110	117
300CT.	119	126

INVENTORY NO. SIGN. & DATE REF. DRG. NO. THE INFORMATION ON THIS DOCUMENT IS THE PROPERTY OF BHARAT HEAVY ELECTRICALS LIMITED IT MUST NOT BE USED DIRECTLY OR INDIRECTLY IN ANY WAY DETRIMENTAL TO THE INTEREST OF THE COMPANY

REV	DATE	ALTD	CHD	REV	DATE	ALTD	CHD
03	3-4-97	CHD	W.S.	02	14-7-95	CHD	W.S.

REVISIONS:
 AGAINST IT.11 MAIL WAS MENTIONED BRASS FORGING.
 IT. 006 AIR RELEASE PLUG DELETED.

REV	DATE	ALTD	CHD	REV	DATE	ALTD	CHD
04	28-12-98	CHD	W.S.	01	27-3-02	CHECKED	W.S.

REVISIONS:
 ITEM 005 IN DETAIL B WAS SHOWN ANTI FOG PORCELAIN. TABLE OF WEIGHT ADDED.
 RATED CURRENT 3150A. ADDED. DIM 85 FOR ELEC. CONTACT SURFACE AGAINST IT.12 ADDED.

BHARAT HEAVY ELECTRICALS LTD
BHOPAL

DEPT. BCE
 GRADE-OF UN-FOL. BHM. CHM/P
 SCALE N.T.S
 WEIGHT (KG) SEE TABLE
 TITLE 72.5 KV-2000/3150A O.I.P. CONDENSER BUSHING
 CADD CODE
 DRAWING NO. BCE-3-1181
 SHEET NO. 1 OF 1
 NO. OF SHEETS 1
 SIZE A 3

DRN.	NAME	SIGN	DATE	NO. OF VAR.
CHD.	HL		2-4-91	
APPD.	RKA.		2-4-91	

REF. TO ASSY. DRG. 0538010*019

ITEM	NO. OF ITEMS
75	22
77	04