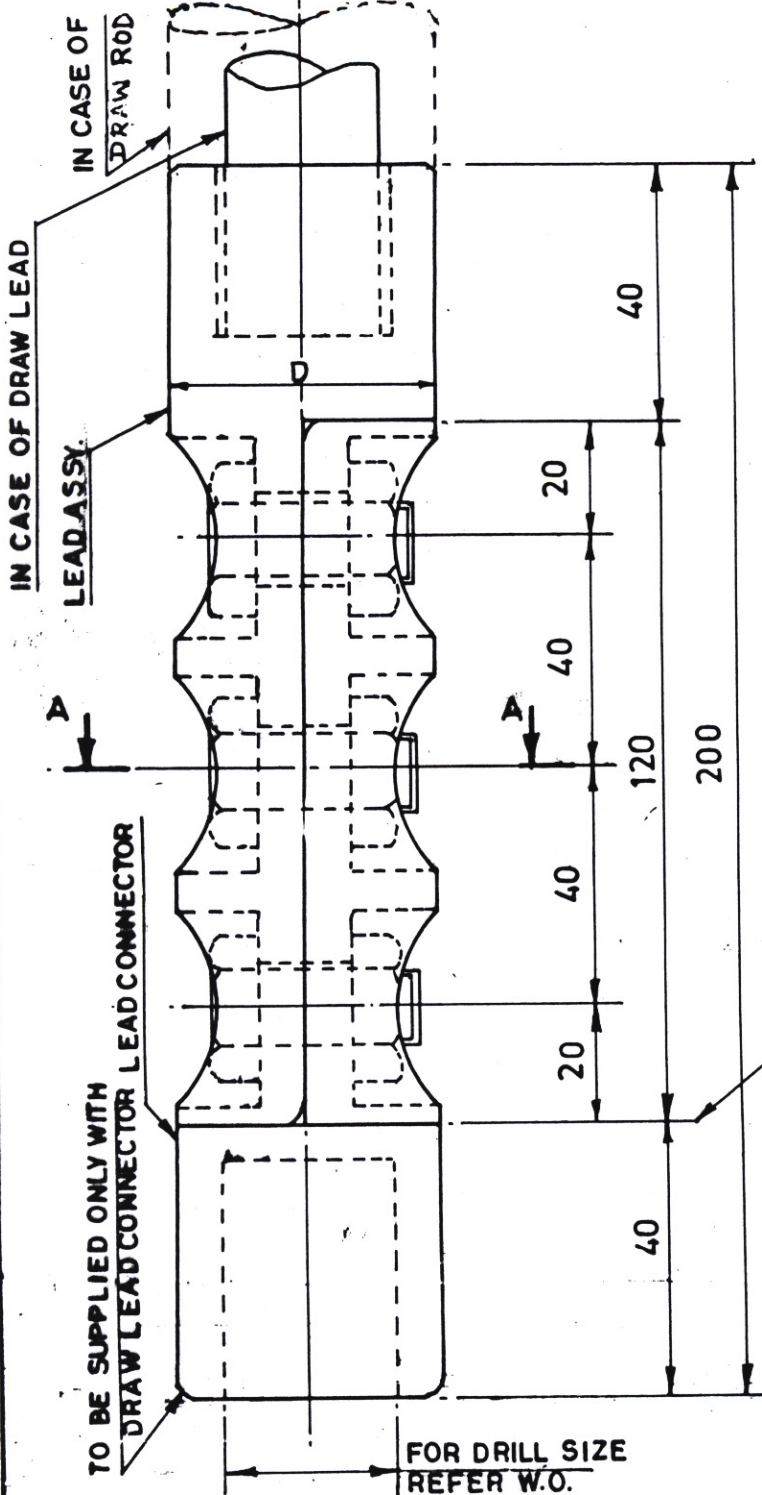
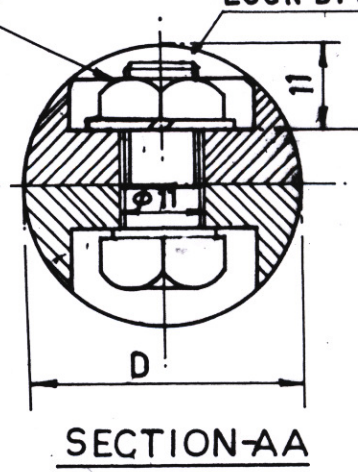


THIS INFORMATION ON THE DOCUMENT IS THE PROPERTY OF BHARAT HEAVY ELECTRICALS LIMITED. IT MUST NOT BE USED DIRECTLY OR INDIRECTLY IN ANY WAY DETRIMENTAL TO THE INTEREST OF THE COMPANY.

REV. 03	DATE 17-4-04	ALTERED	CHECKED	REV. 02	DATE 27-11-87	ALTERED	CHECKED	ADDITIONAL INFORMATION
IN VIEW - SECTION AA				DRG. RETRACED.				STATUS OF DRAWING
WASHER WAS NOT SHOWN.								DISTRIBUTION OF PRINTS



HEX-BOLT WITH NUT & SPG WASHER TO BE SUPPLIED WITH BUSHING) M10 (TIGHTENING TORQUE 200KG. CM.)



BUSHING RATING	TYPE OF LEAD	DIMS. 'D'	O6A. DRG. REFERENCE
420 KV/1250 A	DL	45	BCE-3-1008
420 KV/800 A	DL	35	BCE-3-1008
245KV/1250 A	DR	45	BCE-3-1009
245KV/800A	DL	35	BCE-3-1009
145KV/1250A	DR	35	BCE-3-1011
145KV/ 800 A	DL	35	BCE-3-1011
52 KV/1250 A	DR	35	BCE-3-1091

REF. DRG. No.

SIGN. & DATE



BHARAT HEAVY ELECTRICALS LIMITED
BHOPAL

DEPT. BCE	CODE 421	SCALE N.T.S.	WEIGHT (Kg.)	REF. TO ASSY. DRG.	ITEM No.
TITLE LEAD JOINT FOR DL & DR BUSHING				DRAWN NAME SHUKLA	SIGN. DATE 23-11-84
				CHECKED	
				APPROVED	

DIMENSIONS TO BE CONTROLLED WITHIN AS LIMITS SHOWN.
MACHINING TOLERANCE ± 0.25 mm UNLESS OTHERWISE SHOWN.
NON-MACHINING TOLERANCE ±

CARD CODE	DRAWING No.	15	16
	BCE-4-1012	REV 0	
SHEET No.	No. OF SHEETS	1	1