

DETAIL 'A'

Note:

1. Component shall be CNC machined.
2. Electrical Grade Aluminium (HE-30) shall be used.
3. Helicoil (HC) Taps shall be made.
4. One face of a spherical adapter may be allowed for Welding.
5. Welded face shall be suitably marked.
6. Four Connection faces shall be silver plated.
7. Component shall be machined to RA0.8 on Outer surface.

VAR. NO.	REMARKS	VAR. ITEM NO.	DESCRIPTION	PL	DRAWING NO.	T/MC	MATL. SPECN.	UNIT	WT.	QTY.	ZONE
01			PLATE		305.0x305.0x305.0	HE-30		08			

FINAL ON 14/02/10

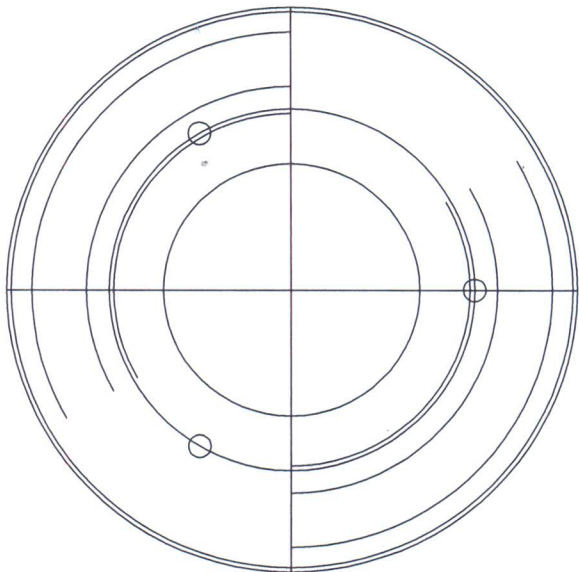
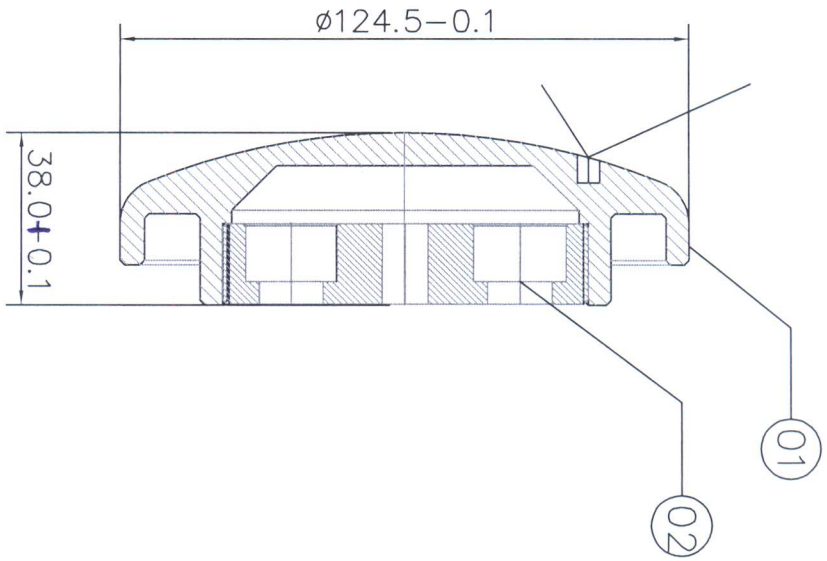
GSM-420

REV.	DATE	ALTERED	REV.	DATE	ALTERED	ZONE	ZONE
		CHECKED			CHECKED		

DEPT.	GRADE OF	SCALE	WEIGHT(KG)	DRN	NAME	SIGN.	DATE	NO. OF
	C/D/P/M	NIS	33.0	CMD	MARRAO		26/12/05	VAR.
				APPD	HSJAIN		09/01/06	NO. OF
				REF. TO				ITEM
								NO. OF
								ITEMS
								REV.

TYPE OF PRODUCT	NAME OF CUSTOMER	NAME	SIGN.	DATE	NO. OF

TITLE	CARD	DRAWING NO.	SHEET NO.	NO. OF SHEETS
SPHERICAL ADAPTER		RD DG 4 35 0617 0031A		



1. Component shall be CNC machined.
2. Electrical Grade Aluminium (HE-30) shall be used.
3. Component shall be finished to RA0.8

THE INFORMATION ON THIS DOCUMENT IS THE PROPERTY OF BHARAT HEAVY ELECTRICALS LIMITED.
 IT MUST NOT BE USED DIRECTLY OR INDIRECTLY IN ANY WAY DETRIMENTAL TO THE INTEREST OF THE COMPANY.

REV.	DATE	ALTERED	REV.	DATE	ALTERED
ZONE		CHECKED	ZONE		CHECKED

VAR. NO.	REMARKS	VAR. NO.	ITEM NO.	DESCRIPTION	IS	DRAWING NO.	VAR.	IT. NO.	MATL. CODE	A	UNIT	WT.	GS	ZONE
			01	SHIELD	IS	RD DG 4 35 0617 0039A		HE-30						
			02	ADAPTER	IS	RD DG 4 35 0617 0039B		HE-30						

TYPE OF PRODUCT
 NAME OF CUSTOMER
GSM-400

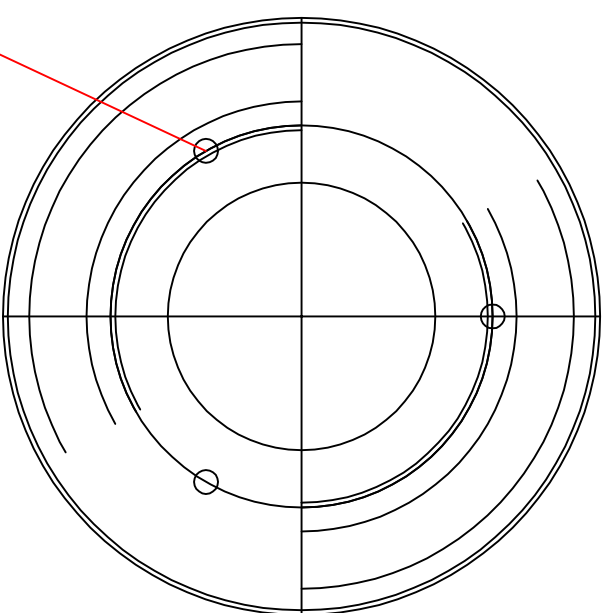
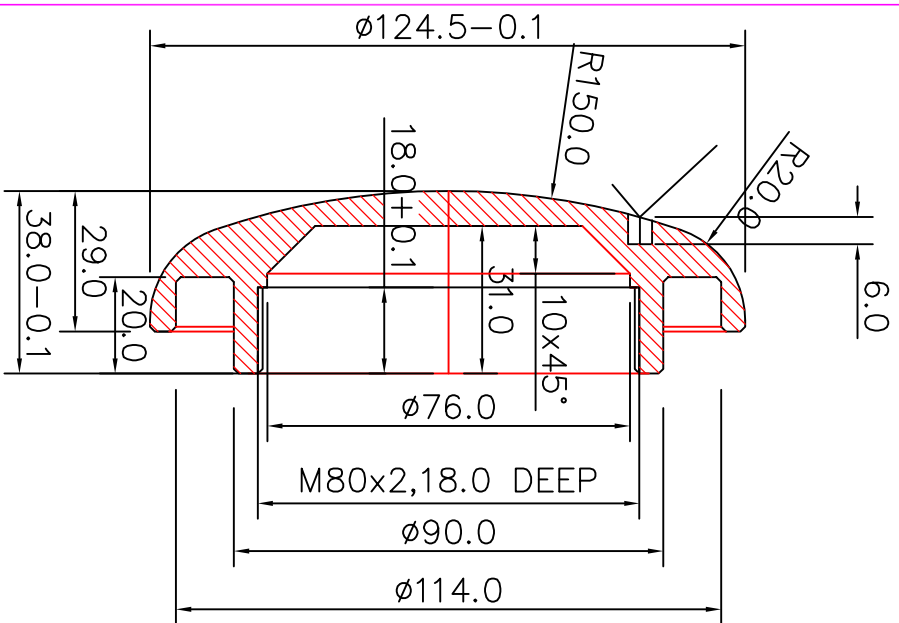
DEPT.	GRADE OF	SCALE	WEIGHT(KG)	REF. TO	DATE	NO. OF
HYDERABAD	C/M/T	NTS	11.5 KG	RD DG 4 35 0617 0039	26/12/05	VAR.
					02/01/06	01

NAME	SIGN.	DATE	NO. OF
MARRAO		26/12/05	VAR.
MARRAO		02/01/06	01

TITLE	CARD CODE	DRAWING NO.	REV.
TERMINATION SHIELD		RD DG 4 35 0617 0039	
		SHEET NO.	NO. OF SHEETS

THE INFORMATION ON THIS DOCUMENT IS THE PROPERTY OF BHARAT HEAVY ELECTRICALS LIMITED.
 IT MUST NOT BE USED DIRECTLY OR INDIRECTLY IN ANY WAY DETRIMENTAL TO THE INTEREST OF THE COMPANY.

INVENTORY NO. SIGN. AND DATE REF. DRG. NO.



3 No. $\phi 5.0$ CLEAR HOLES @ 80.0 PCD, 6.0 DEEP

1. Component shall be CNC machined.
2. Electrical Grade Aluminium (HE-30) shall be used.
3. Component shall be finished to RA0.8
4. All sharp edges shall be machined to $0.4 \times 45^\circ$
5. Component shall be fit to spherical adapter.

VAR. NO.	REMARKS	VAR. ITEM NO.	DESCRIPTION	STD.	DRAWING NO.	UNIT NO.	MATL. CODE	MATL. SPECN.	UNIT WGT.	QTY.	ZONE
		01	Block		RD DG 4 35 0617 0032A		HE-30				

TYPE OF PRODUCT: **GSM-400**

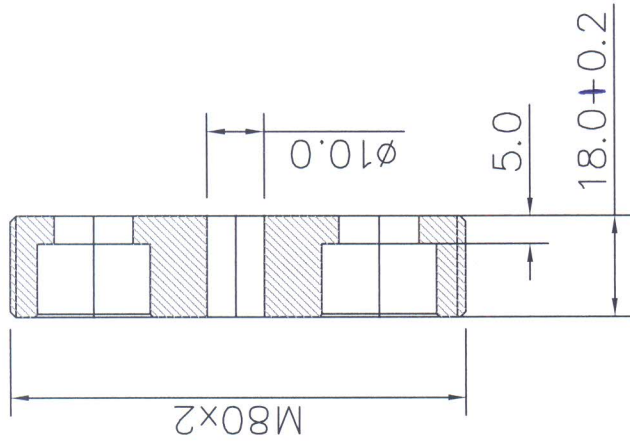
NAME OF CUSTOMER: **BHARAT HEAVY ELECTRICALS LTD. HYDERABAD**

DEPT. CODE	GRADE OF C/W, P/W	SCALE	WEIGHT(KG)	DRN. CNO.	NAME	SIGN.	DATE	NO. OF VARS.
		NTS	11.5 KG	APPD.	MARRAO		26/12/05	01
				REF. TO	HSJAIN		02/01/06	
							09/01/06	

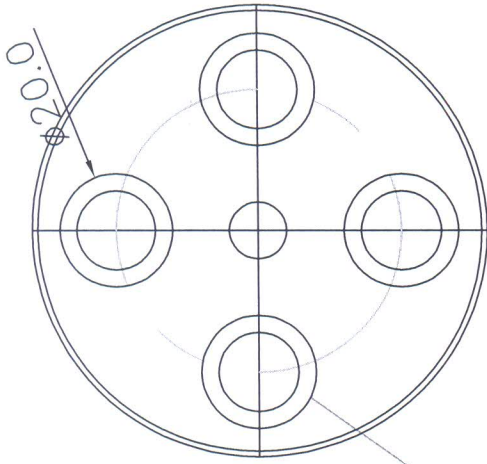
REV.	DATE	ALTERED	REV.	DATE	ALTERED	TITLE	CARD CODE	DRAWING NO.	SHEET NO.	NO. OF SHEETS
ZONE		CHECKED	ZONE		CHECKED	SHIELD		RD DG 4 35 0617 0039A		

FIRST ANGLE PROJECTION

RD DG 4 35 0617 0039B



(ALL DIMENSIONS ARE IN mm)



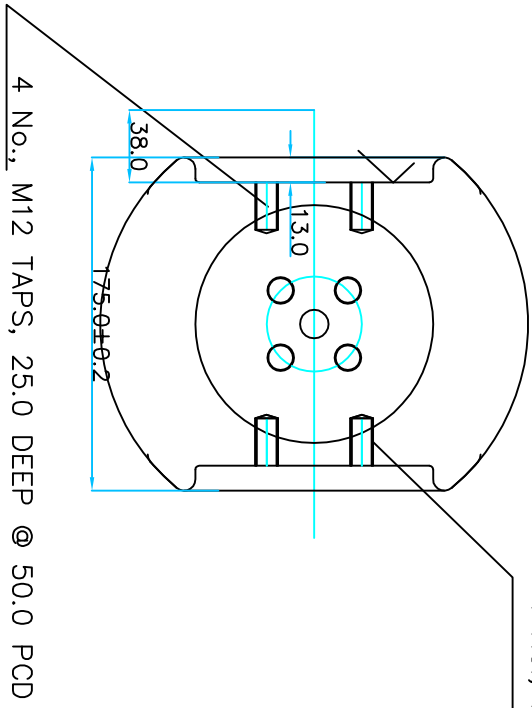
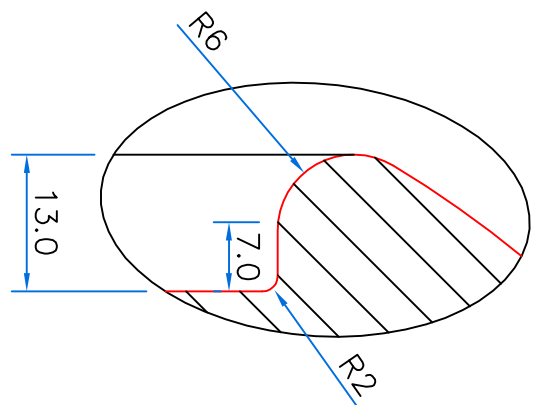
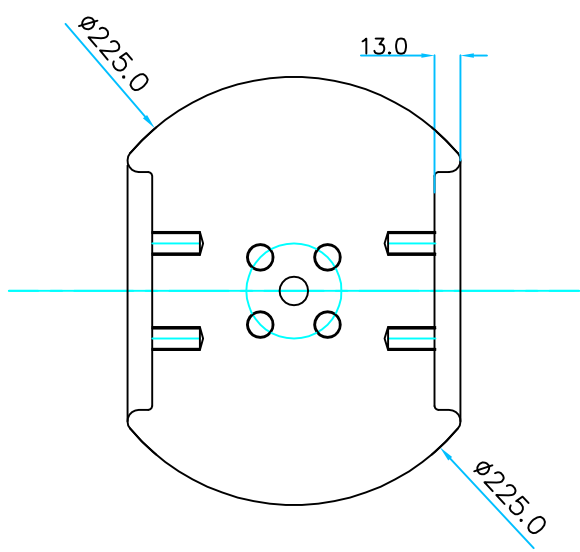
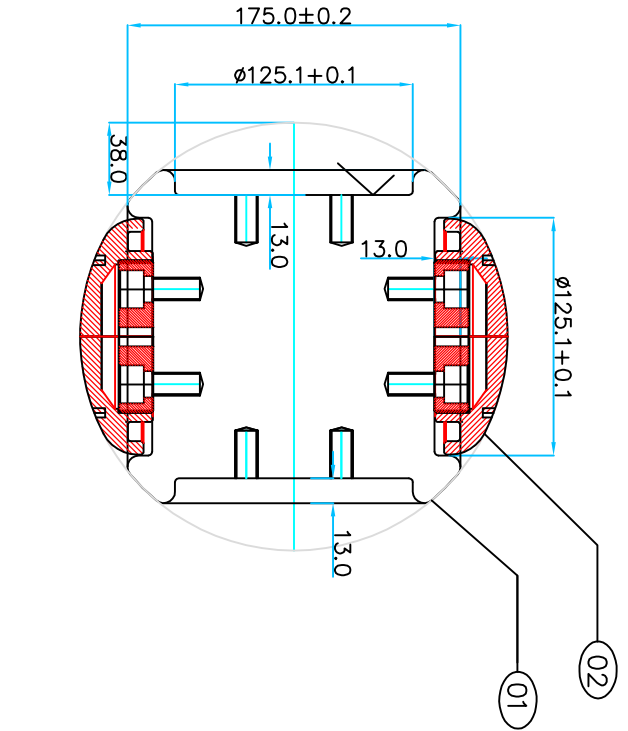
4 No. Ø14.0 CLEAR HOLES WITH COUNTERS @ 50.0 PCD

VAR. NO.	REMARKS	VAR. NO.	ITEM NO.	HT TERMINAL	RD DG 4 35 0617 0032A	HE-30	JNOZ

TYPE OF PRODUCT		NAME OF CUSTOMER		GSM-400	
DRH	MMRAO	DRH	MMRAO	DATE	NO. OF VAR.
APPD	HSJAIN	APPD	HSJAIN	26.12.05	01
SCALE	1:1	SCALE	1:1	REF. TO	ITEM NO.
WEIGHT(KG)	11.5 KG	WEIGHT(KG)	11.5 KG	RD DG 4 35 0617 0039	1
DEPT. CODE	NTS	DEPT. CODE	NTS	DRAWING NO.	REV.
ZONE		ZONE		RD DG 4 35 0617 0039B	
				SHEET NO.	NO. OF SHEETS
				RD DG 4 35 0617 0039B	1

THE INFORMATION ON THIS DOCUMENT IS THE PROPERTY OF BHARAT HEAVY ELECTRICALS LIMITED. IT MUST NOT BE USED DIRECTLY OR INDIRECTLY IN ANY WAY DETRIMENTAL TO THE INTEREST OF THE COMPANY.

INVENTORY NO. SIGN. AND DATE REF. DRG. NO.



4 No., M12 TAPS, 25.0 DEEP @ 50.0 PCD

4 No., M12 HC TAPS, 25.0 DEEP @ 50.0 PCD

DETAIL 'A'

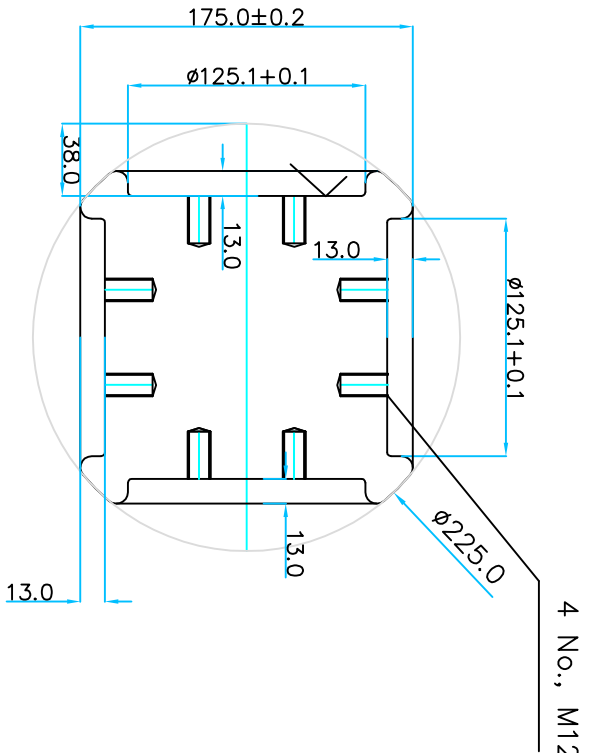
FINAL ON 21/08/14

REV.	DATE	ALTERED	REV.	DATE	ALTERED
ZONE		CHECKED	ZONE		CHECKED

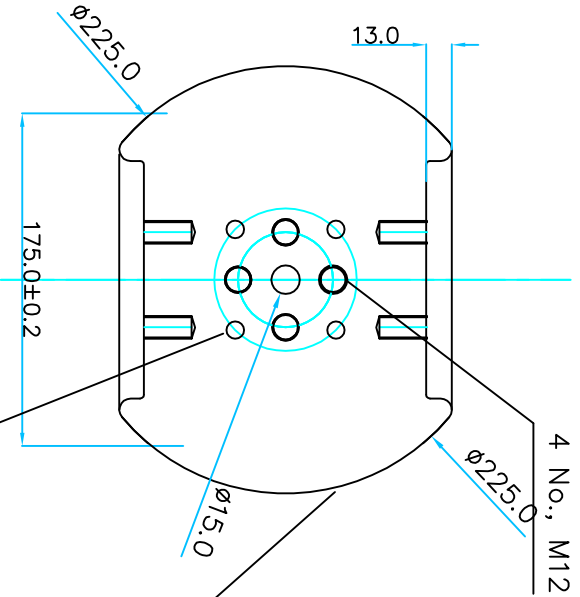
TYPE OF PRODUCT		NAME OF CUSTOMER	
SHIELD		GSM-420	
SPHERICAL ADAPTER		BHARAT HEAVY ELECTRICALS LTD.	
RD DG 4 35 0617 0041A		HYDERABAD	
VAR. NO.	ITEM NO.	DRAWING NO.	SCALE
02	01	RD DG 4 35 0617 0041A	NTS
REMARKS		WEIGHT(KG)	CARD CODE
		33.0	RD DG 4 35 0617 0041

NO.	DATE	NO. OF SHEETS
01	26/12/14	1
02	02/01/15	1
03	09/01/15	1

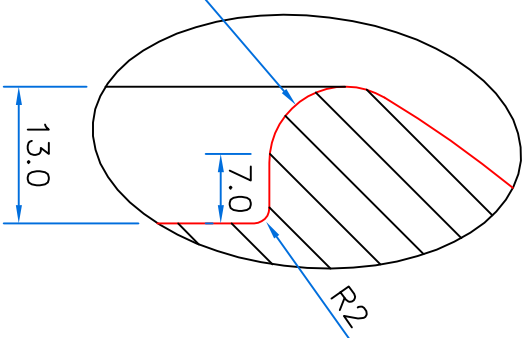
REV.	NO. OF SHEETS
01	1



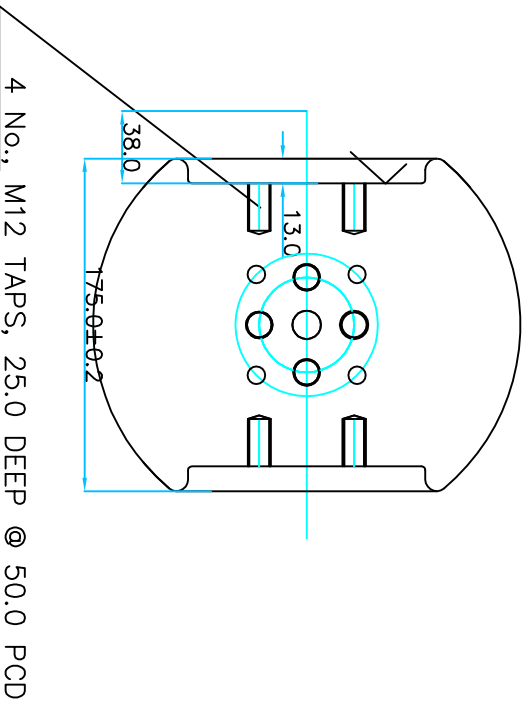
4 No., M12 HC TAPS, 25.0 DEEP @ 50.0 PCD



4 No., M12 HC TAPS, 25.0 DEEP @ 50.0 PCD



DETAIL 'A'



4 No., M12 TAPS, 25.0 DEEP @ 50.0 PCD

- Note:
1. Component shall be CNC machined.
 2. Electrical Grade Aluminium shall be used.
 3. Helicoil (HC) Taps shall be made.
 4. Welded face shall be suitably marked.
 5. Connection faces shall be silver plated.

VAR.00	REMARKS	VAR. ITEM NO.	01	PLATE	305.0x305.0x305.0	HE-30	16 KG
				DESCRIPTION	DR. NO.	UNIT WGT.	04

FINAL ON 21/08/14

GSM-420

REV.	DATE	ALTERED	REV.	DATE	ALTERED																		
ZONE		CHECKED	ZONE		CHECKED																		
<table border="1"> <tr> <td>DEPT.</td> <td>GRADE OF</td> <td>SCALE</td> <td>WEIGHT(KG)</td> </tr> <tr> <td>SPHERICAL ADAPTER</td> <td>TON DIM. C/M/F</td> <td>NTS</td> <td>33.0</td> </tr> </table>						DEPT.	GRADE OF	SCALE	WEIGHT(KG)	SPHERICAL ADAPTER	TON DIM. C/M/F	NTS	33.0										
DEPT.	GRADE OF	SCALE	WEIGHT(KG)																				
SPHERICAL ADAPTER	TON DIM. C/M/F	NTS	33.0																				
<table border="1"> <tr> <td>TYPE OF PRODUCT</td> <td>NAME OF CUSTOMER</td> <td colspan="4">BHARAT HEAVY ELECTRICALS LTD. HYDERABAD</td> </tr> <tr> <td>PLATE</td> <td>305.0x305.0x305.0</td> <td>HE-30</td> <td>16 KG</td> <td>04</td> <td></td> </tr> <tr> <td>DESCRIPTION</td> <td>DR. NO.</td> <td>UNIT WGT.</td> <td></td> <td></td> <td></td> </tr> </table>						TYPE OF PRODUCT	NAME OF CUSTOMER	BHARAT HEAVY ELECTRICALS LTD. HYDERABAD				PLATE	305.0x305.0x305.0	HE-30	16 KG	04		DESCRIPTION	DR. NO.	UNIT WGT.			
TYPE OF PRODUCT	NAME OF CUSTOMER	BHARAT HEAVY ELECTRICALS LTD. HYDERABAD																					
PLATE	305.0x305.0x305.0	HE-30	16 KG	04																			
DESCRIPTION	DR. NO.	UNIT WGT.																					
<table border="1"> <tr> <td>DEN</td> <td>NAME</td> <td>SIGN.</td> <td>DATE</td> <td>NO. OF</td> </tr> <tr> <td>MMRRAO</td> <td>MMRRAO</td> <td></td> <td>26/12/05</td> <td>VAR.</td> </tr> <tr> <td>APPD</td> <td>HSJAIN</td> <td></td> <td>09/01/06</td> <td>01</td> </tr> </table>						DEN	NAME	SIGN.	DATE	NO. OF	MMRRAO	MMRRAO		26/12/05	VAR.	APPD	HSJAIN		09/01/06	01			
DEN	NAME	SIGN.	DATE	NO. OF																			
MMRRAO	MMRRAO		26/12/05	VAR.																			
APPD	HSJAIN		09/01/06	01																			
<table border="1"> <tr> <td>REV.</td> <td>DATE</td> <td>NO. OF</td> </tr> <tr> <td>RD DG 4 35 0617 0000</td> <td>01</td> <td>1</td> </tr> </table>						REV.	DATE	NO. OF	RD DG 4 35 0617 0000	01	1												
REV.	DATE	NO. OF																					
RD DG 4 35 0617 0000	01	1																					

