



PLANT STANDARD

HPBP TIRUCHIRAPALLI

BPS: 41320

PAGE 1 OF 3

Based on IS:1364(Part 3)-83

HEXAGON NUTS, PRODUCT GRADE A

(Property Class 8)

1.0 SCOPE

Covers the requirements of Hexagon Nuts in the size range M3 to M16.

2.0 SPECIFICATION AND REFERENCE STANDARDS

Dimensions and preferred sizes		Table 1 of this standard
Tolerance	Product grade	A
	Indian Standard	IS: 1367 (Part 2)
Thread	Pitch	Coarse
	Tolerance	6H
	Indian Standard	IS: 4218(Part 3,5 & 6)
Material	Steel	
Mechanical properties	Property class	8
	Indian Standard	IS: 1367 (Part 6)
Sampling and Acceptability	Indian Standard	IS: 2614
General requirements	Nuts shall comply with IS: 1364 in respect of requirements not covered in this standard	

2.1 Referred Standards (Only the relevant parts of current versions are applicable)

IS: 1364 Specification for Hexagon Head Bolts, Screws & Nut (Part 3) of product grade A & B: Part 3 Hexagon Nuts.

IS: 1367 Technical supply conditions for threaded steel fasteners

IS: 2614 Method of sampling fasteners

IS: 4218 ISO metric screw threads

REVISIONS

DATE

APPROVED

STANDARDS SECTION
ENGINEERING AND DEVELOPMENT CENTRE
HPBP TIRUCHIRAPALLI

PREPARED
HPBP TIRUCHY

ISSUED
STANDARD
ENGG

DATE
DEC 1986



PLANT STANDARD

HPBP TIRUCHIRAPALLI

BPS: 41320

PAGE 2 OF 3

3.0 DESIGNATION

A Grade A Hexagon Nut to this standard of thread size M6 shall be designated as:

3.1 On Drawings:

- i) Material Specification column: IS: 1364
- ii) Description column : NUT HEX GR A 8-M6
- iii) Drawing Number column : 4132006000
- iv) Material Code column : 4132000006

3.2 Ordering Description

For placing indents, issuing enquiries and on purchase order, the Ordering Description given below shall be followed:

Hex Nut M6 IS: 1364 (Part 3) - 8

4.0 ADDITIONAL INFORMATION

- 4.1 For nuts of thread size M20 to M48x3, product grade B, refer BPS: 41301.
- 4.2 For Cadmium plated nuts, refer BPS: 41360

--

COPYRIGHT AND CONFIDENTIAL

The information on this document is the property of BHARAT HEAVY ELECTRICALS LIMITED. It must not be used directly or indirectly in any way detrimental to the interest of the company.

DEC 1986



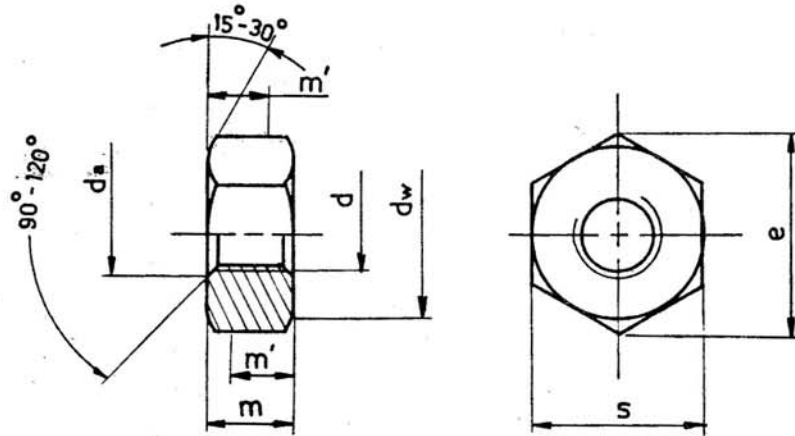
PLANT STANDARD

HPBP TIRUCHIRAPALLI

BPS: 41320

PAGE 3 OF 3

TABLE 1 DIMENSIONS FOR HEXAGON NUTS



m' = Effective gauging height

(All dimensions are in millimetres)

Thread size d	d_a		d_w Min	e Min	m		m' Min	s		Weight
	Min	Max			Max	Min		Max	Min	
M3	3	3.45	4.6	6.01	2.4	2.15	1.72	5.5	5.32	0.4
M4	4	4.6	5.9	7.66	3.2	2.9	2.32	7	6.78	0.9
M5	5	5.75	6.9	8.79	4.7	4.4	3.52	8	7.78	
M6	6	6.75	8.9	11.05	5.2	4.9	3.92	10	9.78	2.5
M8	8	8.75	11.6	14.38	6.8	6.44	5.15	13	12.73	6.0
M10	10	10.8	14.6	17.77	8.4	8.04	6.43	16	15.73	11.6
M12	12	13.0	16.6	20.03	10.8	10.37	8.30	18	17.73	17.9
M16	16	17.3	22.5	26.75	14.8	14.1	11.28	24	23.67	33.5

NOTE:

- Weights are given in Kg per 1000 numbers only.
- For stocked sizes refer BPS components booklet.

COPYRIGHT AND CONFIDENTIAL

The information on this document is the property of BHARAT HEAVY ELECTRICALS LIMITED. It must not be used directly or indirectly in any way detrimental to the interest of the company.