



PLANT STANDARD

HPBP TIRUCHIRAPPALLI

BPS 41408

Rev. No. 02

PAGE 1 OF 2

PUNCHED WASHERS - TYPE A

1.0 SCOPE

Covers the requirements for punched washers Type A in the size range 61 to 78 mm.

2.0 SPECIFICATION AND REFERENCE STANDARDS

<i>Dimensions and tolerances</i>	Figure 1 and Table 1 of this standard	
<i>Material</i>	Suitable steel	
<i>Finish</i>	Natural finish	
<i>Sampling and acceptability</i>	Indian Standard	IS 6821 and IS 5369
<i>General Requirements</i>	Washers shall comply with IS 2016 in respect of requirements not covered in this standard.	

2.1 Referred Standards (Only current versions are applicable)

IS 2016	Specification for plain washers.
IS 5369	General requirements for plain washers and lock washers.
IS 6821	Methods for sampling non-threaded fasteners.

3.0 DESIGNATION

A punched washer of size 61 to this standard for bolt/screw size M56 shall be designated as :

3.1 On Drawings

i) Material Specification column	:
ii) Description column	:	PUNCHED WASHER A 61
iii) Drawing Number column	:	BPS 41408
iv) Material Code column	:	4140800056

3.2 Ordering Description

For placing indents, issuing enquiries and on purchase order, ordering description given below shall be followed (typical examples).

Punched Washer A61 to BPS 41408

Revisions 02
Brought upto date

Approved
STANDARDS SECTION
CONTRACT ENGINEERING AND CO-ORDINATION
HPBP, TIRUCHIRAPPALLI

Rev. No. 02

Amd. No.

Reaffirmed

Prepared

Issued

Dt of 1st Issue.

Dt. JUNE 1997

Dt.

Year

STANDARDS

STANDARDS

DEC 1986



PLANT STANDARD

HPBP TIRUCHIRAPPALLI

BPS 41408

Rev. No. 02

PAGE 2 OF 2

4.0 ADDITIONAL INFORMATION

- 4.1 These washers can be used with Product Grade C general purpose bolts and screws.
- 4.2 Copies of this standard shall be enclosed alongwith the purchase order.

Figure - 1

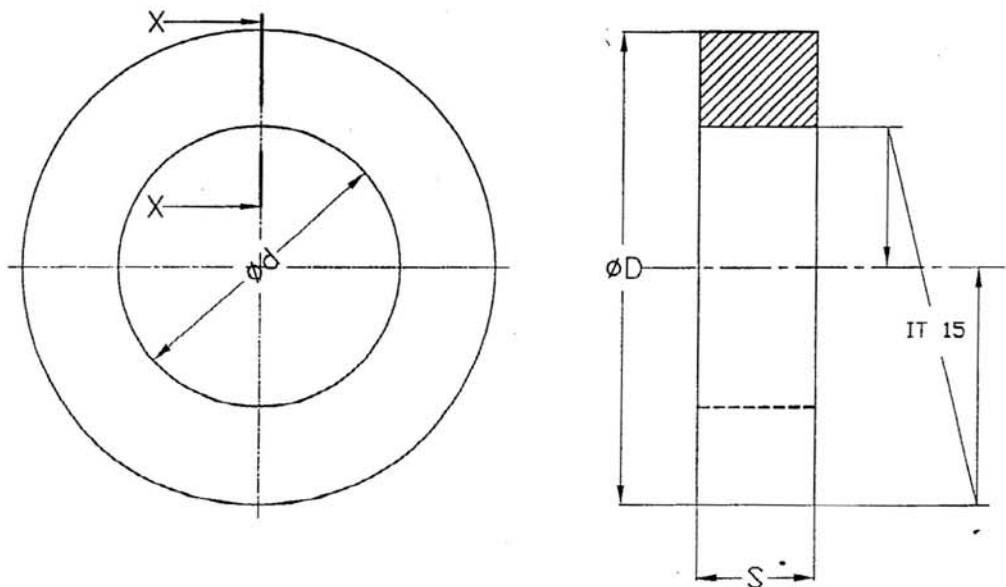


Table - 1

(All dimensions are in millimetres)

Size ϕd	ϕD Nom	s Nom	For bolt/screw size	Weight
61	105	9.0	M56	405.0
78	122	10.0	M72	543.0

NOTE:

1. Weights are given in Kg per 1000 numbers.